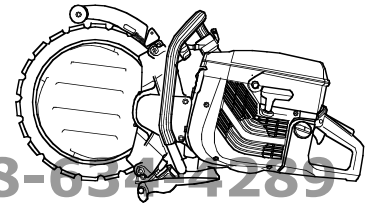


# ***PARTNER***

ConstructionParts.com



888-634-4289

IPL, K 950 RING, 2004-09, 106 29 07-62

ConstructionParts.com

***K 950 RING***

***Reservdelar***

***Spare parts***

***Ersatzteile***

***Pieces de rechange***

***Piezas de repuesto***

***Ricambi***

***Peças  
sobresselente***

ConstructionParts.com

888-634-4289

106 29 07-62

---

# ***PARTNER***<sup>™</sup>

No.	Pos.	Description	No.	Pos.	Description
501 19 22-01	Q	TOOL BAG	503 40 06-07	D	CONNECTION
501 22 03-01	P	PLUG	503 45 46-01	K	PISTON CPL
501 22 04-01	P	BALL	503 46 02-02	G	ANTIVIBE ELEMENT
501 22 05-01	P	SPRING	503 46 85-01	K	COVER
501 22 12-01	P	FUEL PUMP DIAPHRAGM	503 53 36-01	P	NIPPLE
501 22 13-01	P	GASKET, PUMP SIDE	503 53 39-01	P	NIPPLE
501 22 15-01	P	SCREW	503 56 00-02	D	CLAMP
501 22 20-01	P	LEVER	503 57 76-02	K	HOSE
501 22 21-01	P	SHAFT	503 57 86-01	P	BALL
501 22 25-01	P	SPRING	503 57 87-01	P	SCREW
501 48 52-01	P	SCREW	503 57 89-01	K	HOLDER
501 48 54-02	F	SPARK PLUG CONN. KIT	503 62 12-01	Q	GREASE
501 53 16-01	F	CABLE	503 66 56-01	G	VALVE
501 63 48-01	F	SPRING	503 67 80-01	D	SLEEVE
501 67 32-03	F	PAWL	503 70 15-01	A	CLUTCH KPL.
501 69 17-02	Q	COMB.TOOL	503 78 26-74	H	CRANSHAFT
501 76 83-05	K	HOSE	503 90 17-01	F	IGNITION MODULE
501 76 83-31	K	HOSE	503 97 83-01	G	MUFFLER
501 81 99-01	F	SCREW M5X14	503 98 82-01	P	SCREEN
501 82 18-01	P	RETAINING RING	505 27 75-16	F	INSULATING CAP
501 83 98-01	F	SHORTING LEAD	505 31 65-50	P	INLET NEEDLE
502 21 58-01	Q	ALLEN KEY	506 03 32-02	J	SCREW
502 41 22-01	L	CLIP	506 09 56-02	L	CLAMP
503 12 79-02	E	STARTER HANDLE	506 09 58-04	L	HOSE
503 14 51-01	A	CLUTCH SPRING	506 13 35-01	D	BRACKET
503 20 00-45	N	SCREW	506 13 95-11	N	WASHER
503 20 02-16	CDGK	SCREW	506 13 96-01	N	SCREW
503 20 02-55	D	SCREW	506 15 55-06	G	CYLINDER CPL.
503 20 03-80	N	SCREW	506 15 82-01	G	GASKET
503 20 07-16	J	SCREW	506 16 91-01	G	CONDUCTOR
503 20 07-30	C	SCREW	506 17 83-01	N	RING
503 20 13-18	MN	SCREW	506 21 68-11	K	TANK UNIT
503 20 19-75	G	SCREW	506 22 16-12	C	CYLINDER COVER
503 20 25-20	F	SCREW	506 22 17-01	C	COVER
503 20 34-42	C	SCREW	506 22 18-11	C	BASE
503 20 34-42	C	SCREW	506 22 19-01	D	PIPE
503 20 46-16	MN	SCREW	506 22 22-02	E	AIR CONDUCTOR
503 20 54-35	M	SCREW	506 22 27-01	K	THROTTLE TRIGGER
503 20 59-20	AE	SCREW	506 22 28-01	K	THROTTLE LOCK
503 21 05-22	KL	SCREW	506 22 29-01	K	SPRING
503 21 05-45	K	SCREW	506 22 31-01	D	ROD
503 21 06-19	L	SCREW	506 22 39-01	D	FLANGE
503 21 28-06	F	SCREW	506 22 94-01	C	JET
503 21 28-10	E	SCREW	506 23 12-01	D	GUIDE
503 21 46-01	L	SCREW	506 23 18-01	C	AIR FILTER
503 21 67-22	E	NUT	506 23 19-01	C	FILTER
503 22 00-01	MN	NUT	506 23 20-11	D	CHOKE CONTROL
503 22 10-11	F	WASHER	506 23 23-01	K	SPRING
503 23 00-42	F	WASHER	506 23 24-01	J	GASKET
503 23 01-01	F	WASHER	506 23 59-03	E	STARTER DEVICE CPL
503 23 01-12	N	WASHER	506 23 61-01	K	TANK VENT.
503 23 04-01	N	WASHER	506 23 75-01	K	SPRING
503 23 04-02	G	WASHER	506 24 39-01	C	DECAL
503 23 04-03	M	SPARK PLUG	506 24 69-01	L	BLADE GUARD
503 23 51-08	F	BALL BEARING	506 25 14-01	E	WASHER
503 25 00-02	HJ	BALL BEARING	506 25 30-01	E	SPRING
503 25 21-01	N	BALL BEARING	506 25 59-32	K	TANK CAP
503 25 24-01	BMN	NEEDLE BEARING	506 25 64-02	P	INSERT
503 25 38-01	A	NEEDLE BEARING	506 25 73-01	N	SPRING
503 25 61-01	GH	SEALING RING	506 25 81-02	E	STARTER PULLEY
503 26 02-05	J	SEALING RING	506 25 84-01	P	GASKET
503 26 20-01	MN	SEALING RING	506 25 85-01	P	DIAPHRAGM
503 26 21-01	N	O-RING	506 25 88-01	P	GASKET SET
503 26 30-08	M	O-RING	506 25 89-01	E	RETURN SPRING
503 26 30-21	L	O-RING	506 26 22-01	L	ROLLER
503 26 30-22	N	O-RING	506 26 31-01	E	SLEEVE
503 26 30-25	L	O-RING	506 26 41-01	K	FILTER
503 26 30-26	M	CARBURETOR	506 26 41-11	K	FILTER
503 28 04-02	DP	PISTON RING	506 27 11-01	K	PENDULUM
503 28 90-24	G	HOSE	506 27 14-01	P	SCREW

No.	Pos.	Description	No.	Pos.	Description
506 27 23-01	E	DECAL	506 34 63-01	M	WASHER
506 27 24-01	C	DECAL	506 34 64-01	M	SCREW
506 27 25-01	D	PROTECTOR	506 34 76-01	N	SPRING
506 27 27-10	E	FLYWHEEL	506 34 90-01	L	PLUG
506 27 31-01	J	BUFFER	506 34 91-01	J	BRACKET
506 27 63-01	P	REPAIR KIT	506 35 15-02	N	SHAFT
506 27 75-01	N	PULLEY	506 35 18-03	M	ARM
506 27 84-32	C	DECAL	506 35 19-01	MN	PROTECTOR
506 27 84-41	C	DECAL	506 35 20-02	N	ROLLER CPL
506 27 84-43	C	DECAL	506 35 21-01	M	ROLLER CPL
506 28 01-01	A	WHEEL	506 35 22-01	L	SPLASH GUARD
506 28 03-71	M	COVER	506 35 23-02	N	WHEEL
506 28 06-02	B	BELT TENSIONER CPL	506 35 52-01	Q	KEY
506 28 07-02	J	CRANKCASE	506 36 36-01	Q	L-SPANNER
506 28 09-01	A	PROTECTOR	506 36 38-02	Q	TOOL KIT
506 28 11-01	A	DECAL	506 37 46-01	N	WASHER
506 28 39-30	C	SEALING	506 37 47-01	N	SEALING
506 28 53-01	K	SPRING	506 37 48-01	N	HOLDER
506 28 59-01	A	SPACER SLEEVE	506 37 49-01	N	SLEEVE
506 28 63-01	P	SPRING	506 37 50-02	N	SPACER
506 28 68-01	P	COVER	506 37 89-01	L	STABILIZER
506 28 74-01	D	INTAKE	506 37 93-02	MN	SLEEVE
506 28 95-01	K	NIPPLE	506 38 09-01	N	HOLDER
506 29 05-02	Q	GASKET SET	506 38 10-01	N	SLEEVE
506 29 09-01	P	THROTTLE SHAFT(KIT)	506 38 22-01	N	KNOB
506 29 10-01	P	SEALING, KIT	506 38 23-01	N	HOLDER
506 29 11-01	P	CHOKE SHAFT (KIT)	506 38 37-02	Q	L-SPANNER
506 29 13-01	P	JET (KIT)	506 38 49-01	Q	GREASE GUN
506 29 21-01	K	GASKET	506 38 78-34	F	CABLE
506 29 23-01	L	SPRING	506 38 90-02	N	COVER CPL
506 29 57-01	L	NIPPLE	506 38 97-01	N	STIFT
506 29 59-01	L	WARNINGSDECAL	720 12 40-20	K	PIN
506 29 67-01	B	BELT	720 13 07-10	J	PIN
506 29 78-01	K	HANDLE	721 12 52-70	N	PIN
506 29 88-01	L	SCREEN	721 42 52-50	N	SPIRAL PIN
506 30 14-02	M	ADJUSTER	721 44 06-00	N	PIN
506 30 29-01	N	SHAFT	725 52 95-55	L	SCREW
506 30 29-02	M	SHAFT	725 53 27-55	N	SCREW
506 30 33-01	N	SPACER SLEEVE	725 53 31-56	L	SVREW
506 30 33-02	M	SPACER SLEEVE	725 53 40-55	J	SCREW
506 30 34-01	MN	CARRIER	725 53 72-55	BG	SCREW
506 30 35-01	N	PROTECTOR	725 53 76-56	L	SCREW
506 31 19-01	N	HOLDER	725 53 78-55	B	SCREW
506 31 22-01	N	CARRIER CPL	725 53 79-56	L	SCREW
506 31 28-01	L	PLATE	725 53 81-56	M	SCREW
506 31 45-01	L	PIPE	725 54 59-05	N	SCREW
506 31 68-01	N	SPACER SLEEVE	732 21 16-01	B	LOCKNUT
506 31 68-02	M	SPACER SLEEVE	734 48 80-01	L	WASHER
506 31 69-01	MN	DUST PROTECTION	735 31 08-00	N	RETAINING RING
506 31 77-11	L	VALVE CPL	735 31 28-10	BMN	RETAINING RING
506 31 86-01	F	STOP SWITCH	737 44 13-00	G	CLIP
506 32 21-01	C	DECAL	738 88 10-01	N	O-RING
506 32 80-01	N	CATCH	740 42 04-00	M	O-RING
506 32 89-50	L	WET CUTTING KIT	740 42 05-00	L	O-RING
506 33 08-01	M	BUSHING	740 42 24-00	N	O-RING
506 33 19-01	N		740 43 13-00	E	O-RING
506 33 32-01	M	PLATE	740 48 20-03	C	O-RING
506 33 49-01	M	PIPE	740 48 25-02	N	O-RING
506 33 49-02	L	SLEEVE			
506 33 51-01	B	ROLLER			
506 33 52-01	B	SPACER			
506 33 53-01	B	ARM			
506 33 53-02	B	ARM			
506 33 54-01	B	SPACER			
506 33 56-15	E	STARTER ROPE			
506 33 65-01	N	SEALING RING			
506 33 72-01	E	STARTER DEVICE			
506 33 95-01	L	SPRING			
506 33 96-01	L	BOLT			
506 34 39-01	N	SEALING			

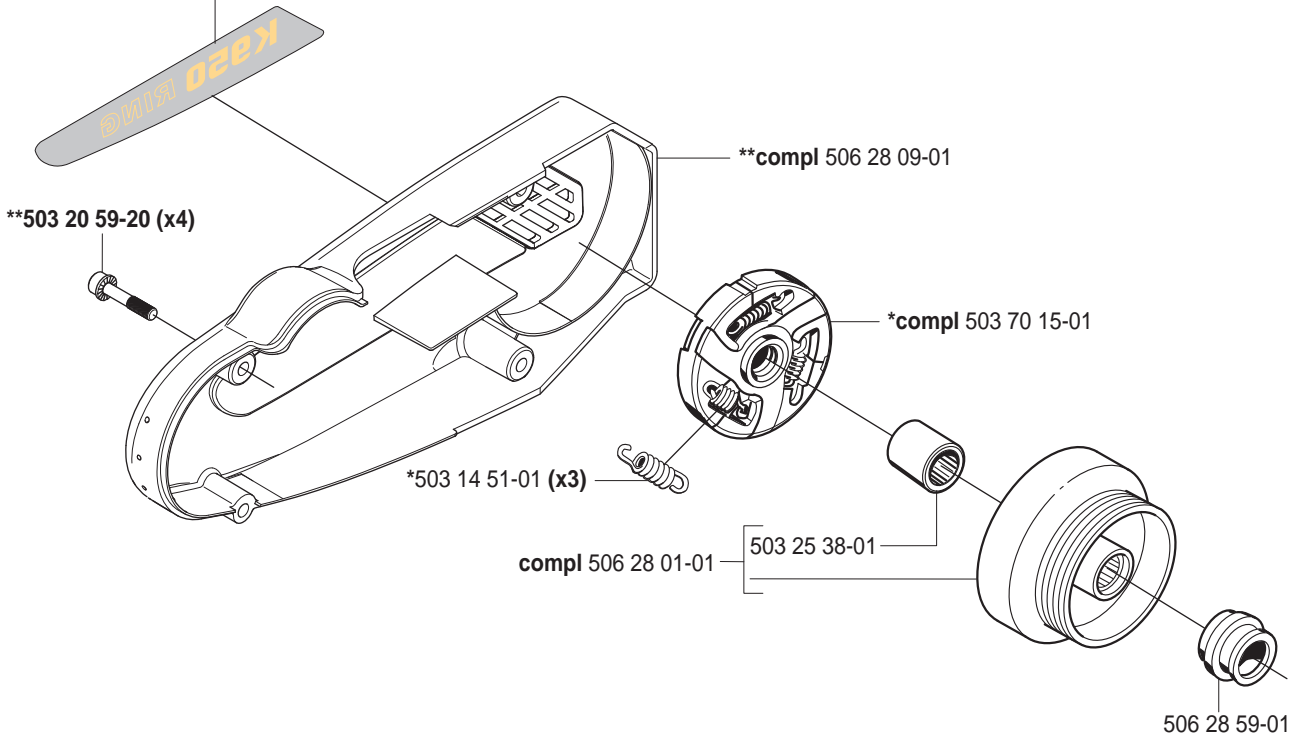
**A**

\*\*506 28 11-01

# K950 RING

ConstructionParts.com

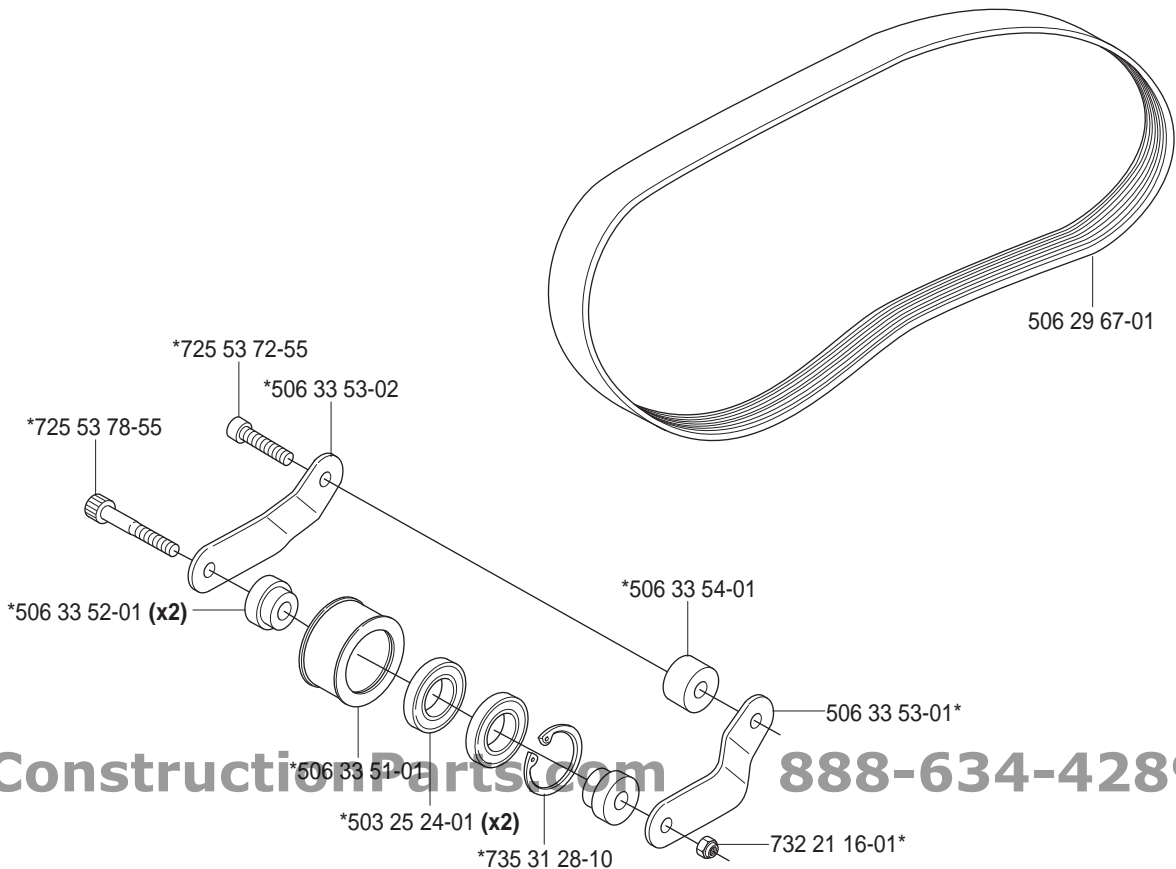
888-634-4289



ConstructionParts.com

**B**

\*compl 506 28 06-02



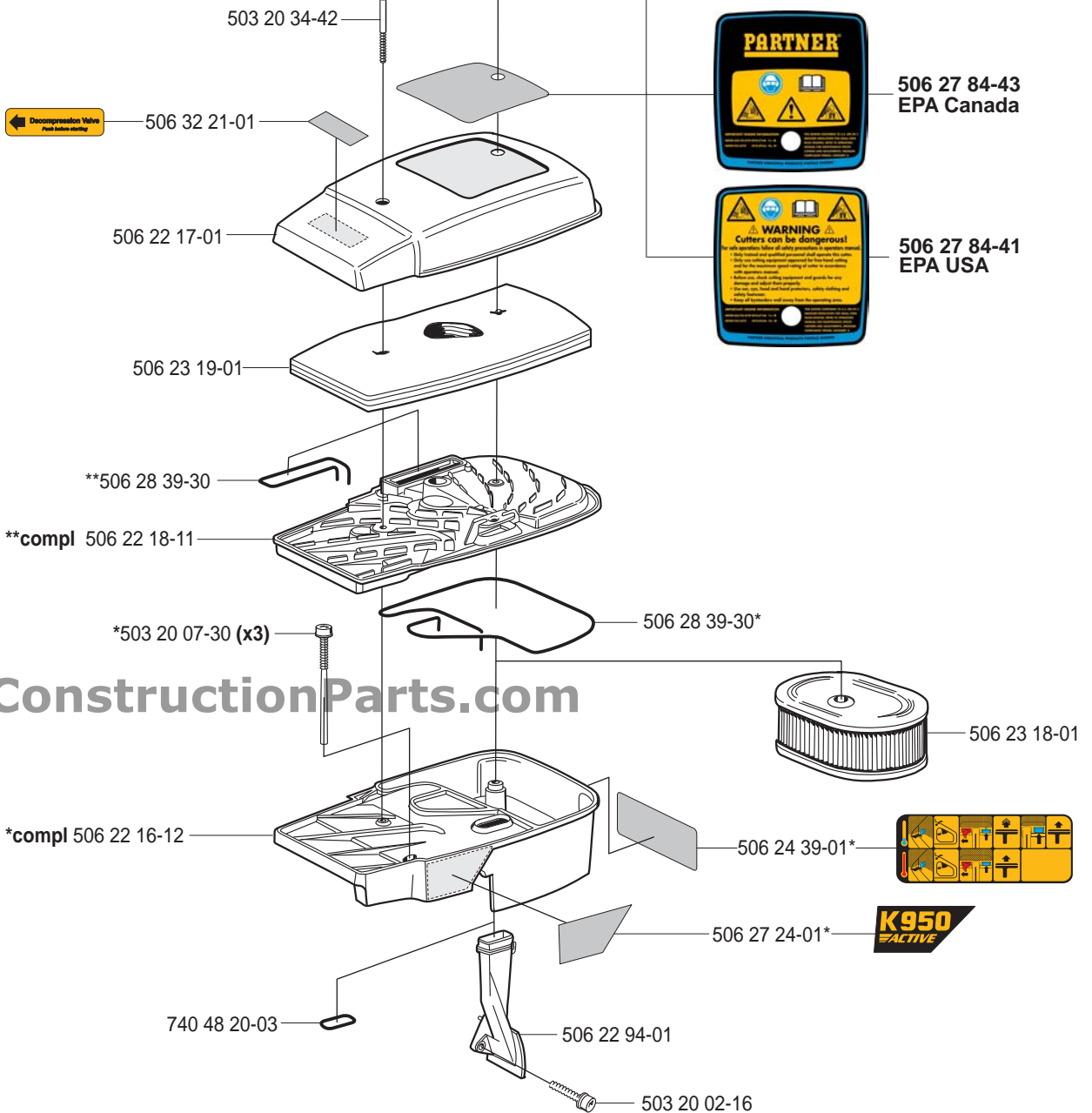
ConstructionParts.com

888-634-4289

C

ConstructionParts.com

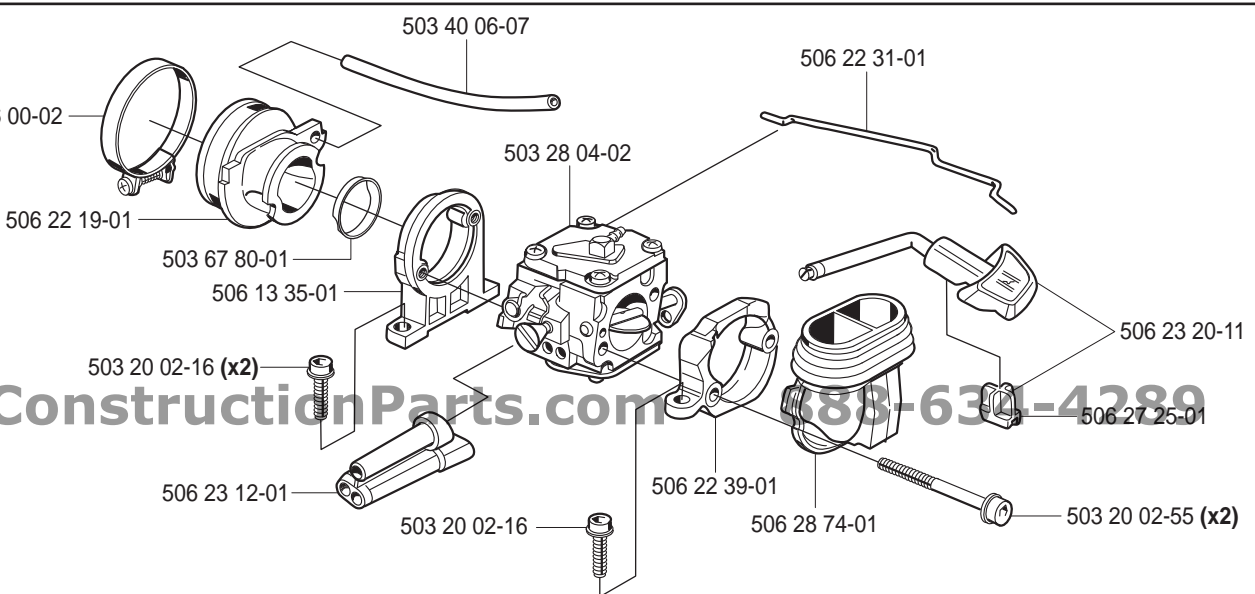
888-634-4289



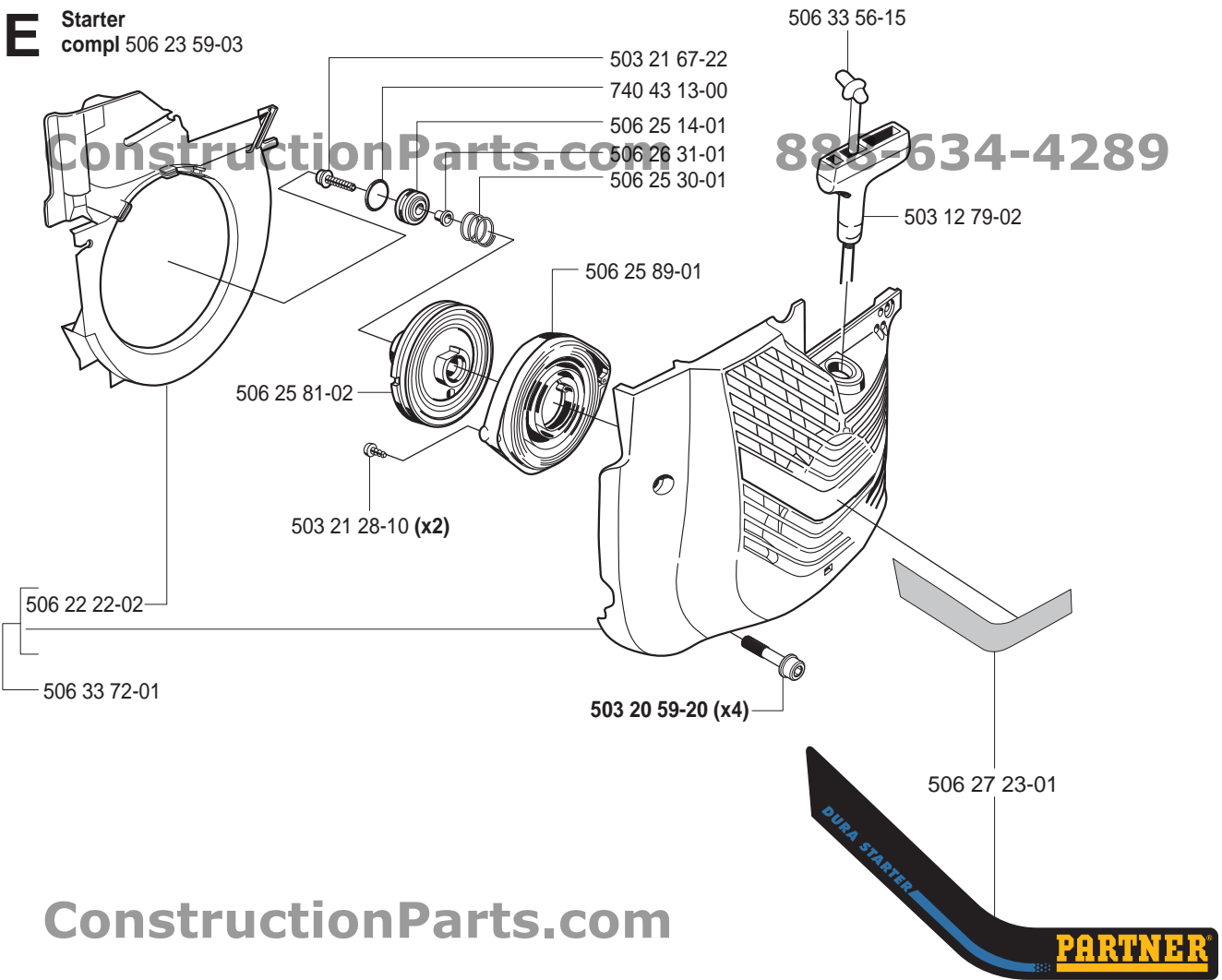
D

ConstructionParts.com

888-634-4289

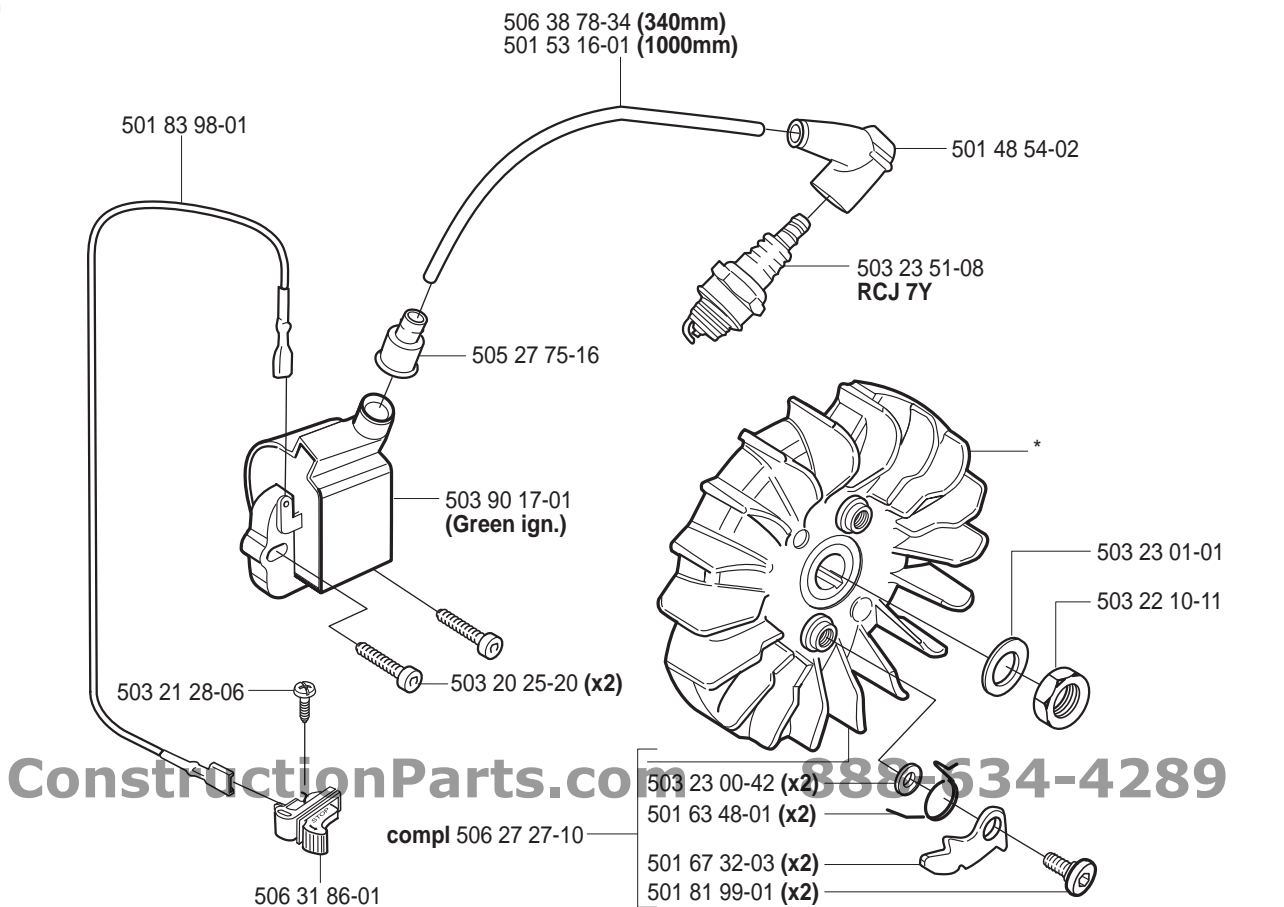


**E** Starter  
compl 506 23 59-03



ConstructionParts.com

**F**

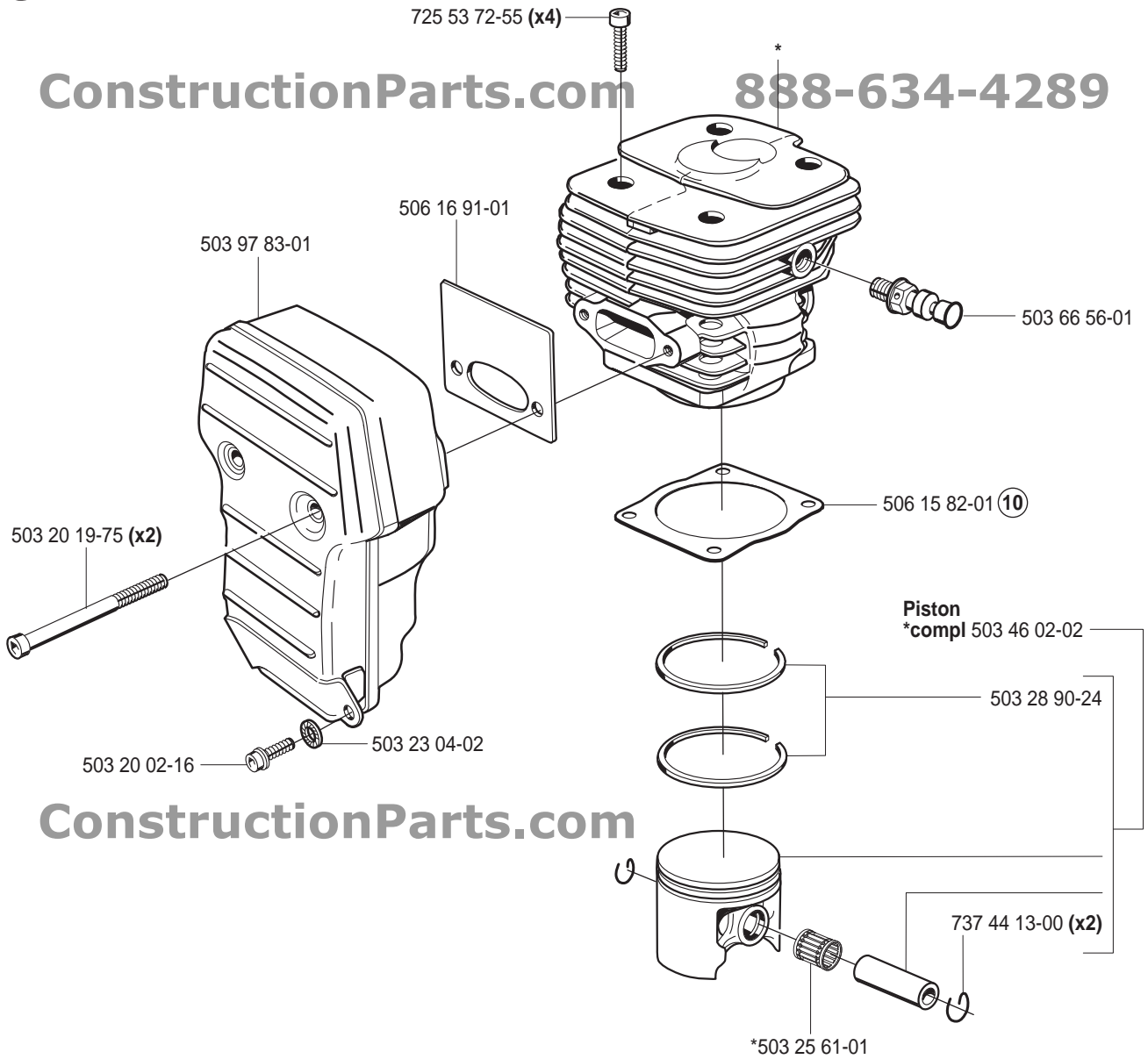


ConstructionParts.com

**G** Cylinder and piston  
\*compl 506 15 55-06

ConstructionParts.com

888-634-4289

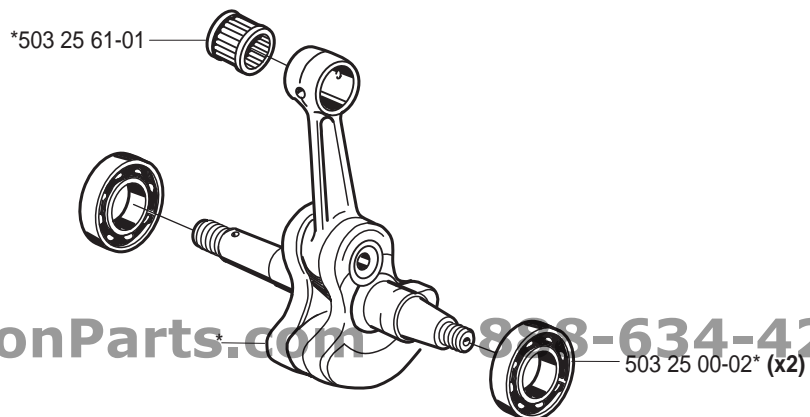


ConstructionParts.com

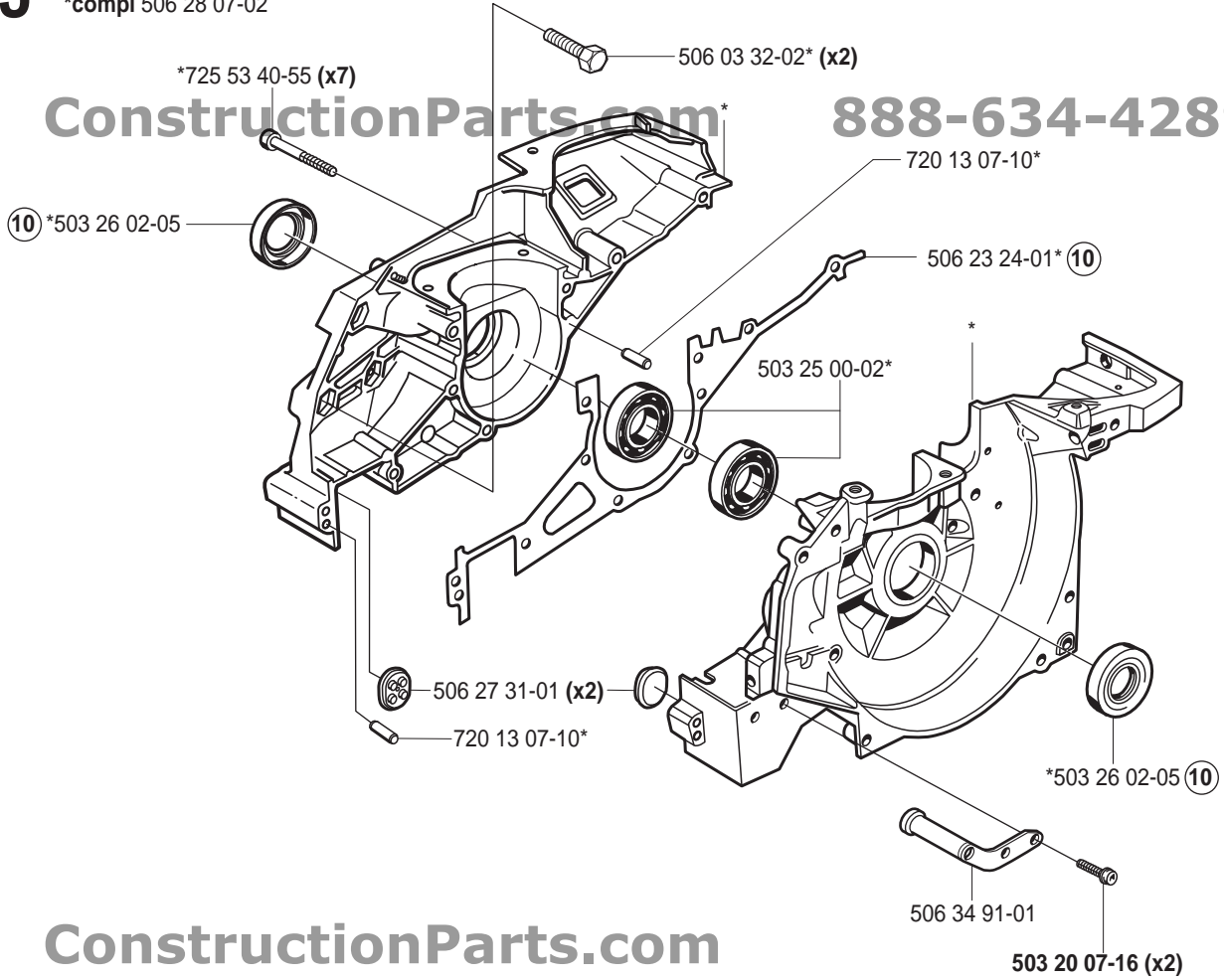
**H** \*compl 503 78 26-74

ConstructionParts.com

888-634-4289



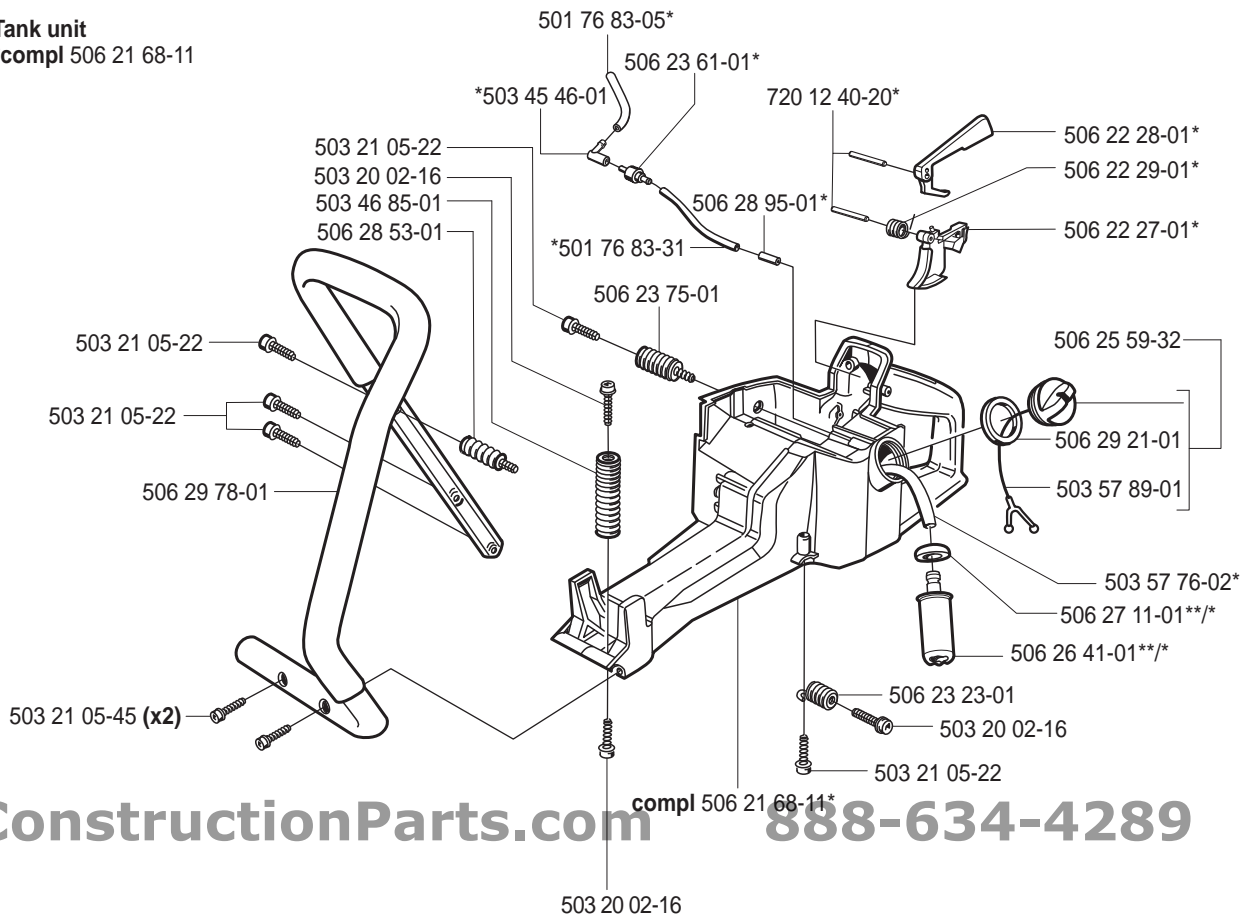
**J** Crankcase  
\*compl 506 28 07-02



ConstructionParts.com

888-634-4289

**K** Tank unit  
\*compl 506 21 68-11



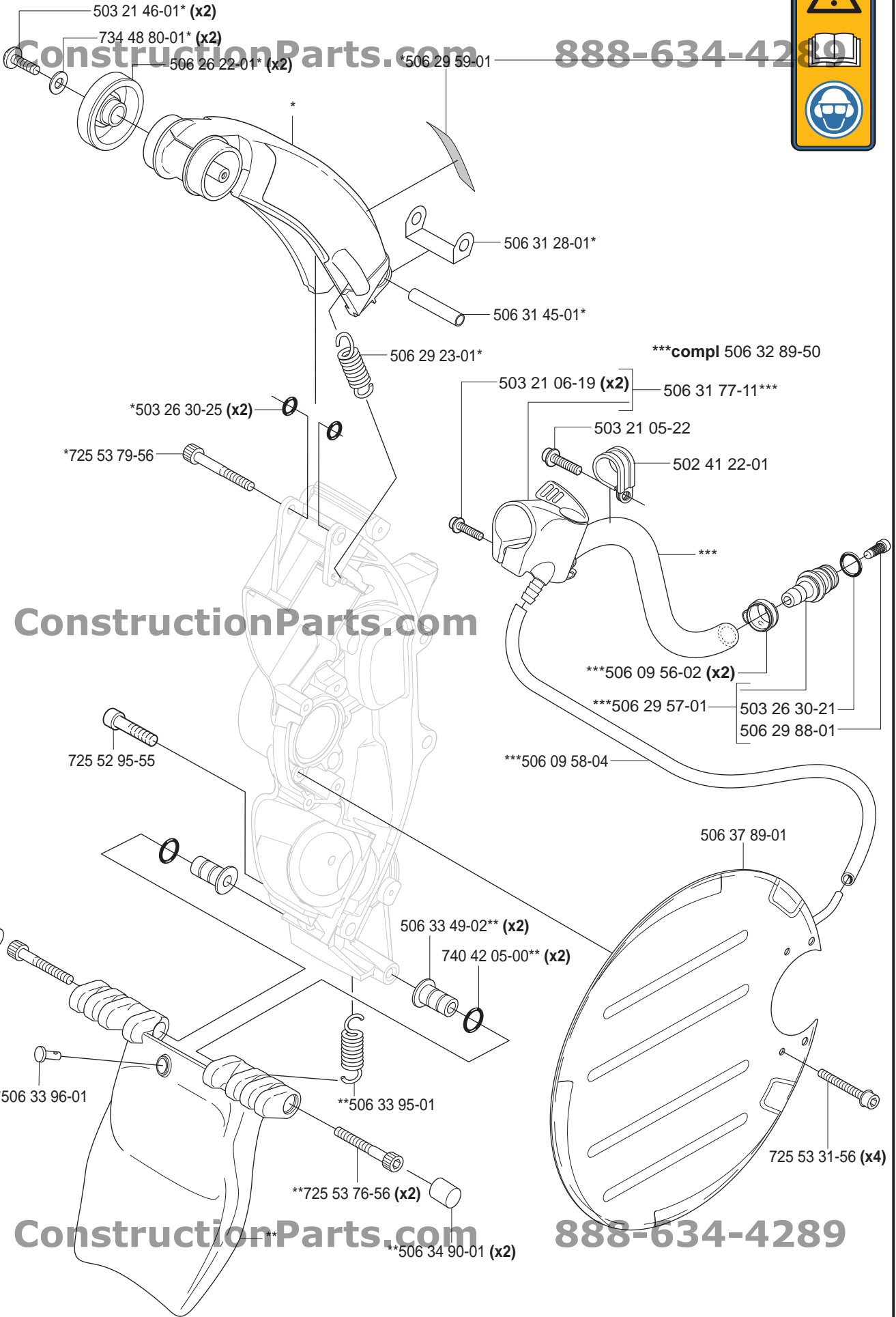
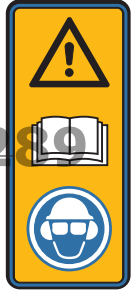
ConstructionParts.com

888-634-4289

Fuel filter  
\*\*compl 506 26 41-11

L

\*compl 506 24 69-01



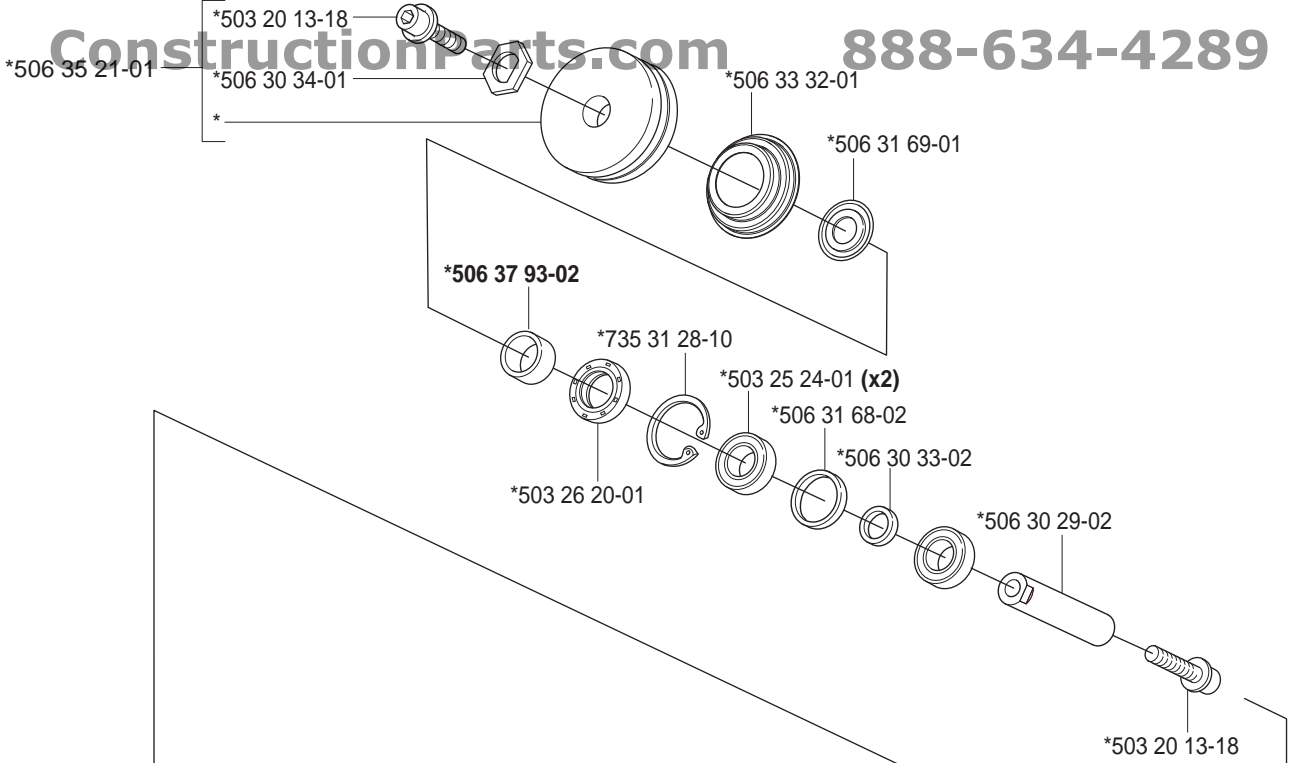
ConstructionParts.com

ConstructionParts.com

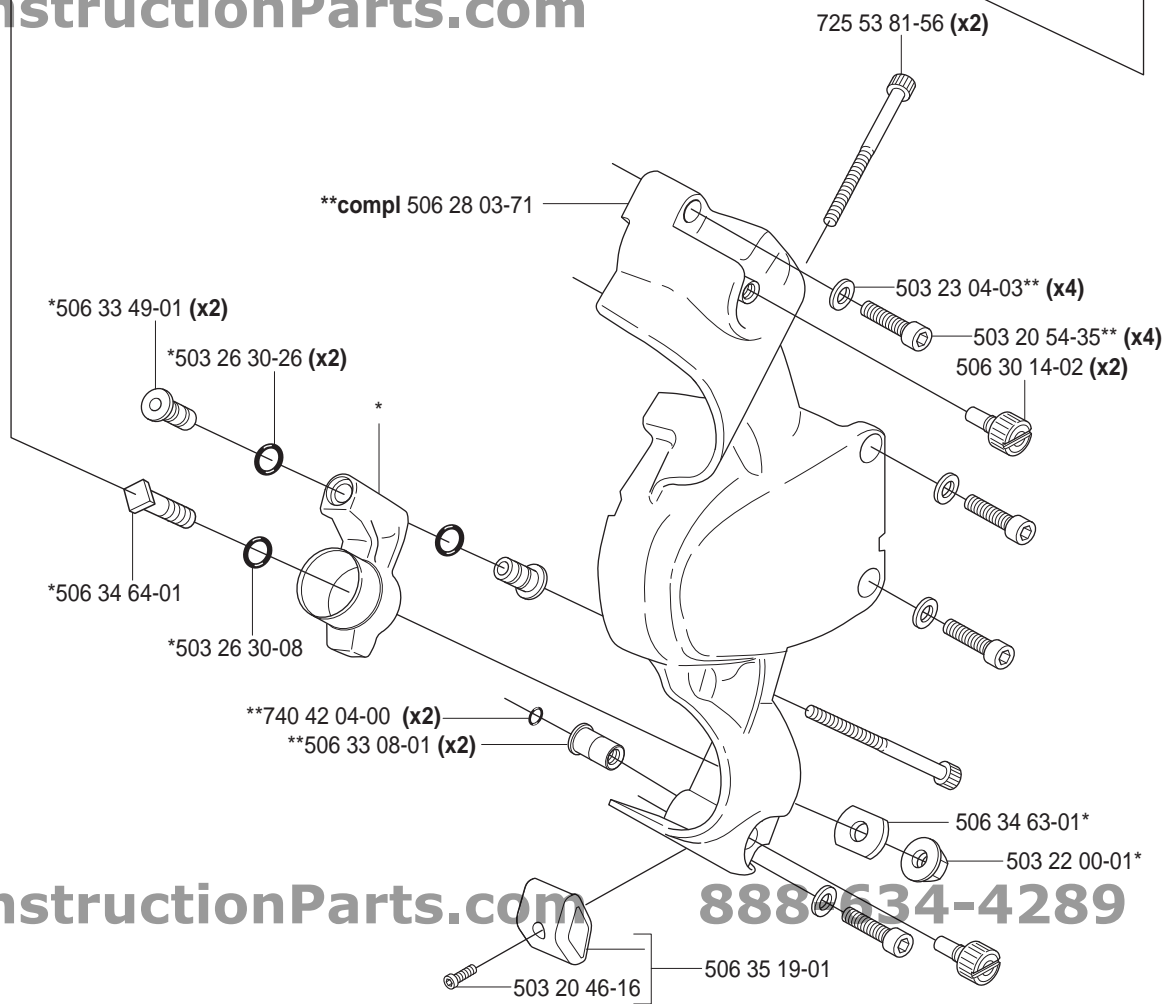
\*\*compl 506 35 22-01

**M** Arm (x2)  
\*compl 506 35 18-03

ConstructionParts.com 888-634-4289



ConstructionParts.com



ConstructionParts.com 888-634-4289

**N**

\*compl 506 38 23-01

506 35 20-02\*

\*503 20 13-18

\*506 30 34-01

\*503 25 24-01 (x2)

\*506 30 33-01

\*506 31 68-01

\*506 30 29-01

\*503 20 13-18

\*506 31 19-01

\*506 31 69-01

\*506 37 93-02

\*503 26 20-01

506 34 39-01\*\* (x2)

\*506 38 09-01

\*735 31 28-10

\*506 34 76-01

\*506 30 35-01

\*506 38 97-01

506 33 19-01

506 38 22-01

506 33 65-01

738 88 10-01 (x2)

ConstructionParts.com

503 22 00-01 (x2)

503 23 04-01 (x2)

725 54 59-05

\*\*compl 506 38 90-02

503 20 00-45

721 12 52-70

506 27 75-01

503 26 30-22\*\* (x2)

503 23 01-12\*\*

735 31 08-00\*\*

503 20 03-80

\*\*721 44 06-00

\*\*506 25 73-01

503 25 21-01\*\* (x2)

506 35 15-02

\*\*506 32 80-01

506 37 50-02\*\*

\*\*506 38 10-01 (x2)

740 42 24-00

506 37 47-01

503 26 21-01

506 37 46-01\*\*\*

\*\*740 48 25-02 (x2)

\*\*\*506 37 49-01

506 17 83-01\*\*\*

506 37 48-01

725 53 27-55 (x3)

506 13 95-11\*\*\*

ConstructionParts.com

503 20 46-16

506 35 19-01

\*\*\*506 31 22-01

\*\*\*721 42 52-50 (x2)

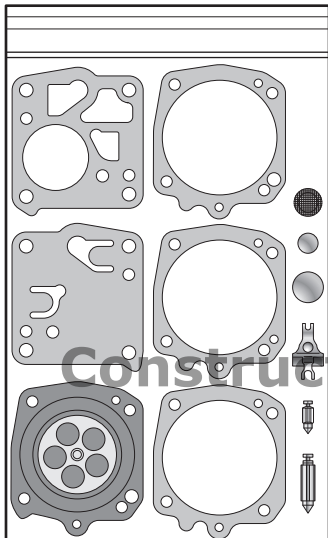
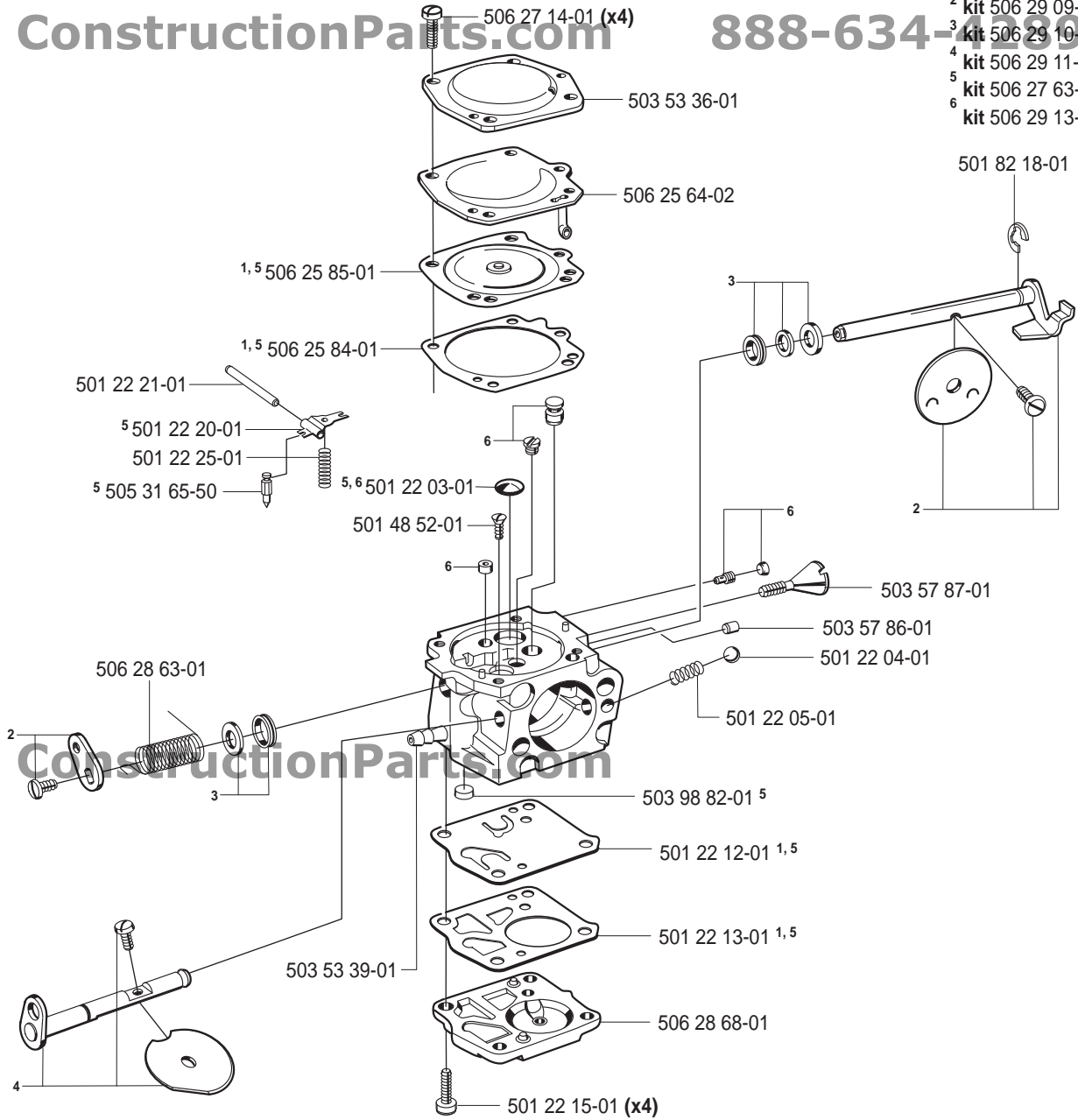
\*\*\*compl 506 35 23-02

506 13 96-01\*\*\*

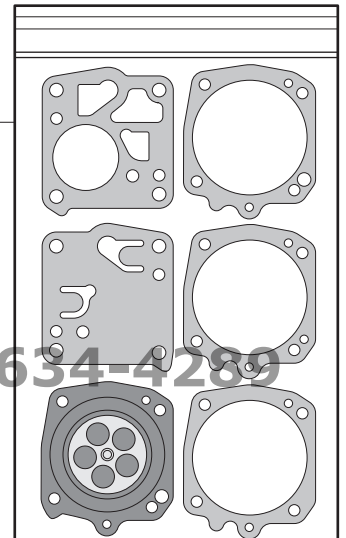
ConstructionParts.com

888-634-4289

- 1 kit 506 25 88-01
- 2 kit 506 29 09-01
- 3 kit 506 29 10-01
- 4 kit 506 29 11-01
- 5 kit 506 27 63-01
- 6 kit 506 29 13-01



Diaphragm and gasket set DG-10-HS



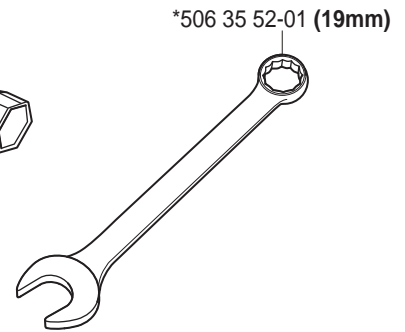
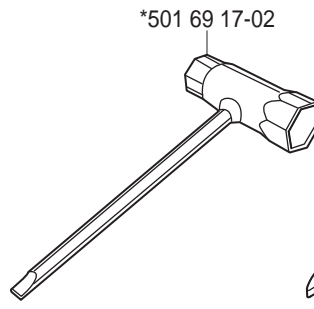
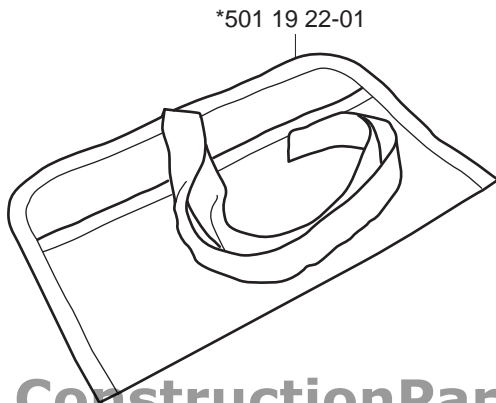
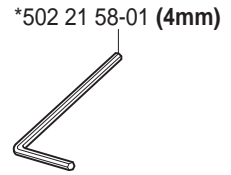
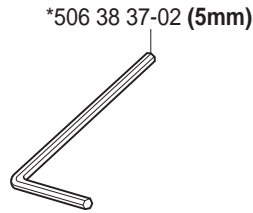
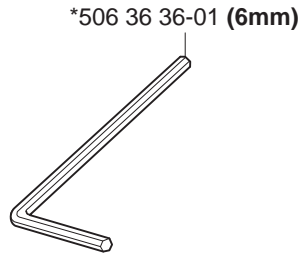
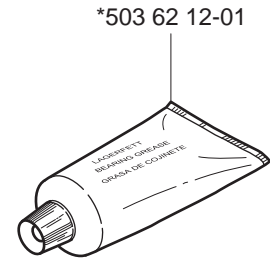
ConstructionParts.com

888-634-4289

**Q Accessories**  
**Zubehöre**  
**Accessoires**  
**Accesorios**  
**Tillbehör**

ConstructionParts.com

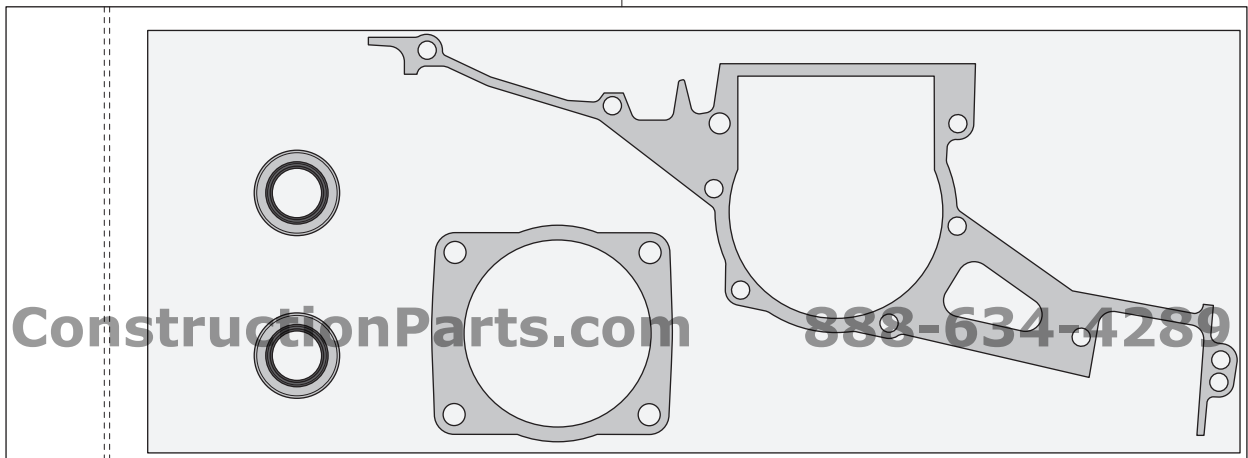
888-634-4289



ConstructionParts.com



506 29 05-02 (10)  
**Set of gaskets**  
**Dichtungssatz**  
**Jeu de joints**  
**Juego de juntas**  
**Packningssats**



ConstructionParts.com

888-634-4289