

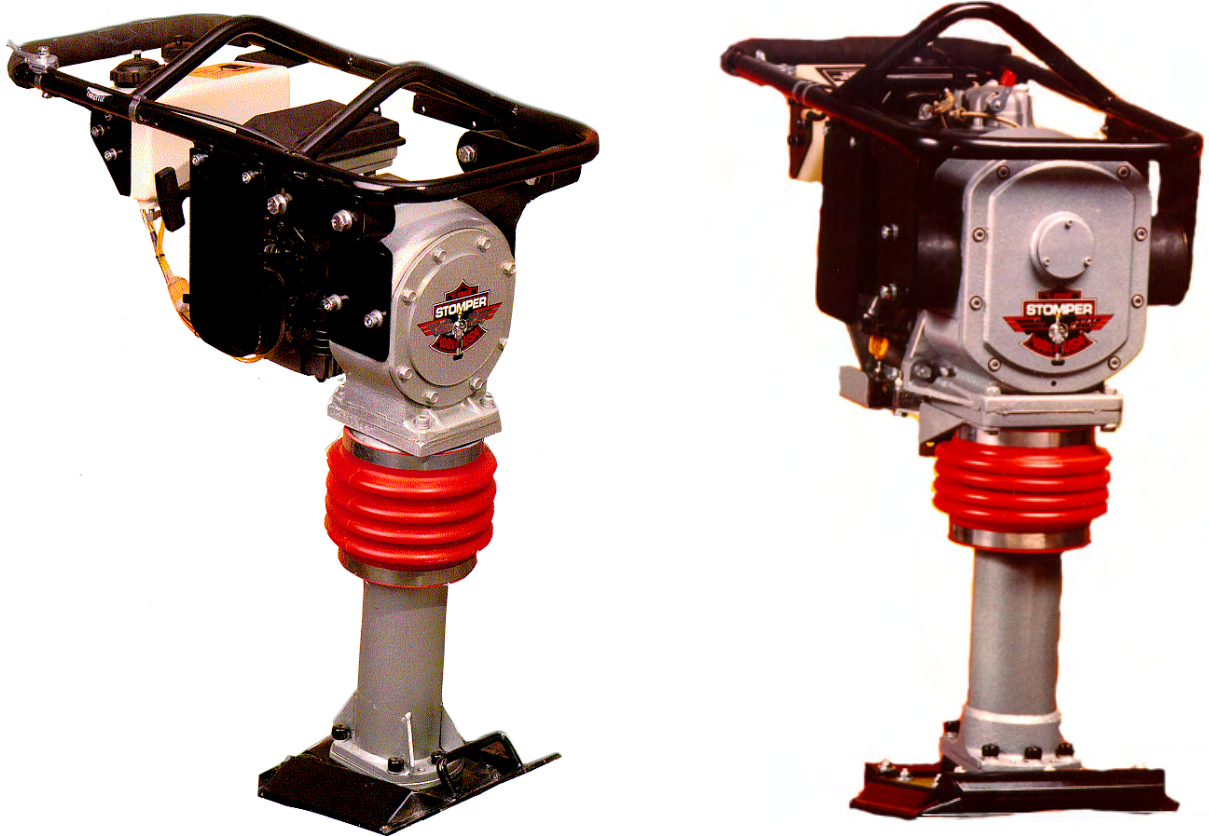


OPERATOR/SERVICE MANUAL

MODEL: ST728ROI, SM832ROI

DS836Y

SN622R, ST728R, SM832R, SW945R



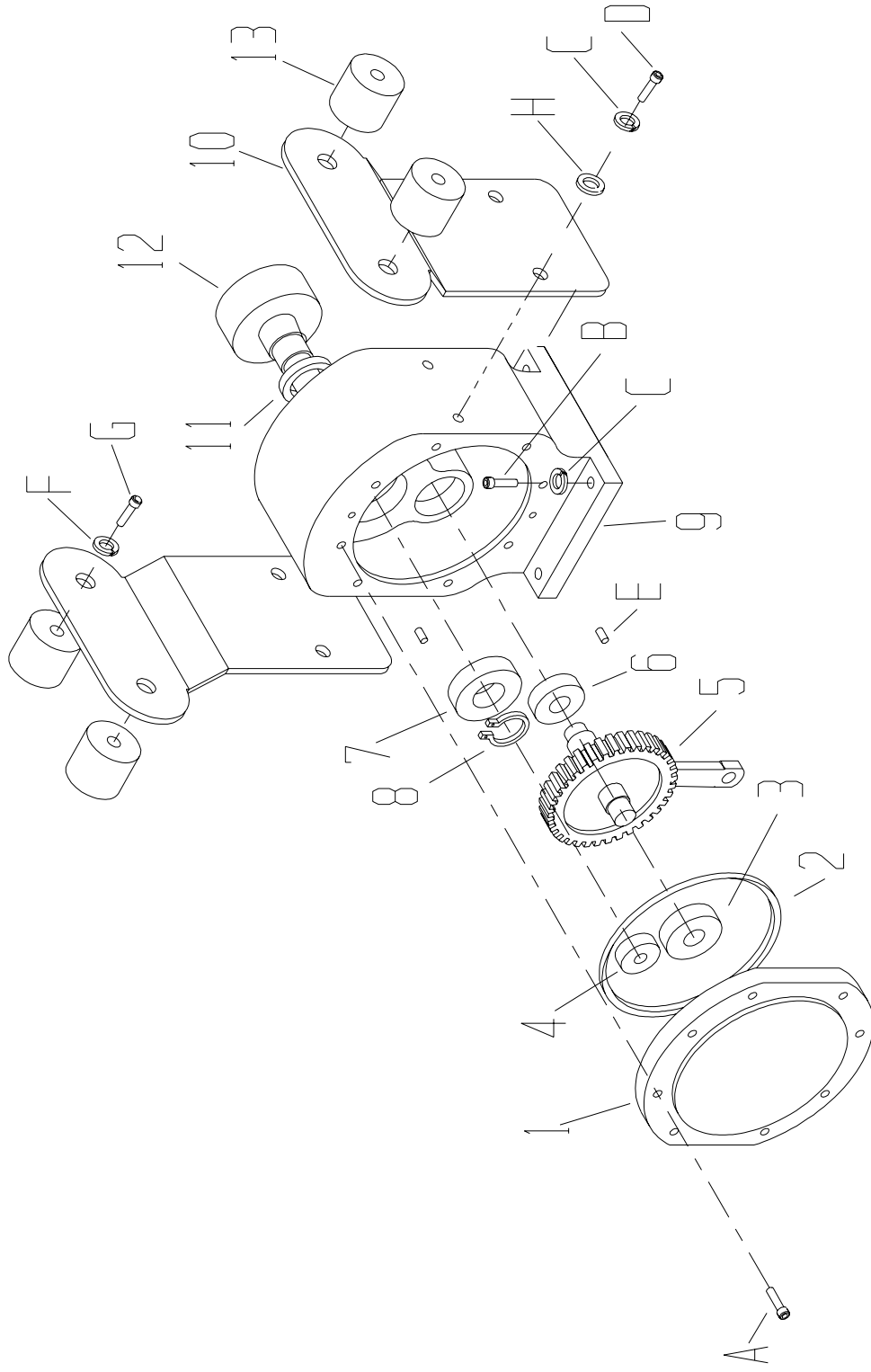
STOMPER® - Oil Injected, Diesel and Pre-Mix

*This equipment has been designed and tested to meet the requirements of the **Machinery Safety Directive 89/392/EEC and Amendments** and therefore carries the CE Mark*

EXPLODED VIEWS AND PARTS LISTS

Gearcase for ST Oil Injected and SN/ST Pre-Mix	34-35
Gearcase for SM Oil Injected and SM/SW Pre-Mix	36-37
Gearcase - Diesel	38-39
Lower Unit for SN Pre-Mix	40-41
Lower Unit for ST Oil Injected and Pre-Mix	42-43
Lower Unit for SM Oil Injected and Pre-Mix	44-45
Lower Unit for SW Pre-Mix	46-47
Lower Unit - Diesel	48-49
Engine - ST Oil Injected and Pre-Mix	50-51
Engine - Diesel	52-53
Engine - SN Pre-Mix	54-55
Engine - SM Oil Injected and SM/SN Pre-Mix	56-57
Handle and Fuel Assembly - ST/SM Oil Injected	58-59
Handle and Fuel Assembly - Diesel	60-61
Handle and Fuel Assembly - SN Pre-Mix	62-63
Handle and Fuel Assembly - ST/SM/SWPre-Mix	64-65
Shoes ST Oil Injected and Pre-Mix	66-67
Decals	68-70

Gearcase for ST Oil Injected and SN/ST Pre-Mix



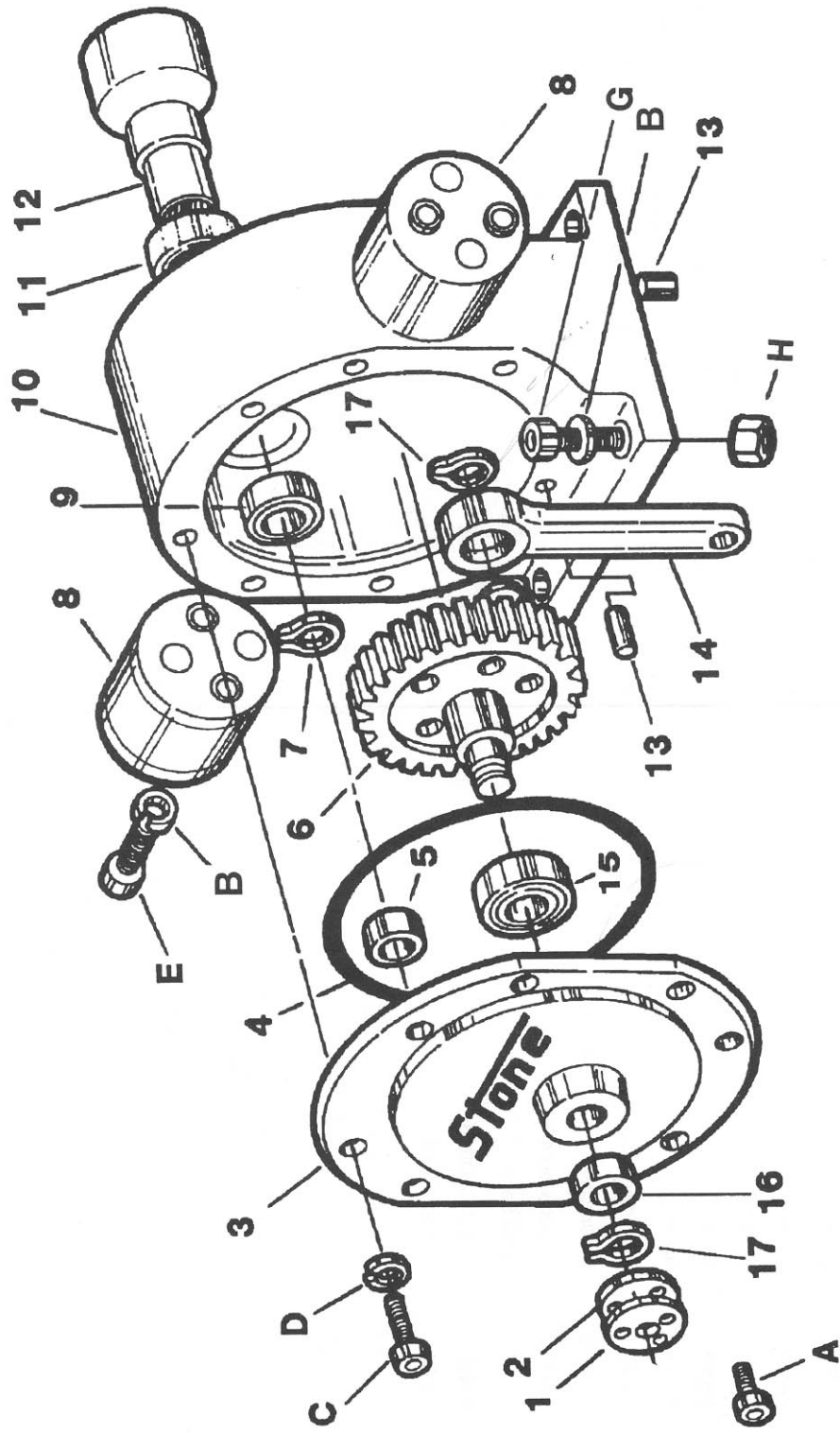
SN002B

Gearcase for ST Oil Injected and SN/ST Pre-Mix

Item	Part No.	Description	Qty.	Item	Part No.	Description	Qty.	DIN	TORQUE (NM)	TORQUE (LB.FT.)
1	21112	Case Cover with Bearings	1	A*	80802	HWHST M8-1.25 X 25MM ZN	8	7500	24	18
2	32254	O-Ring	1	B*	80801	SHCS M10 1.5 X 35MM 12.9 BLK	4	912	48	35
3	32022	Bearing	1	C	80804	WSHRL M10 SPLIT ZN	8	127B	-	-
4	32255	Bearing	1	D*	80803	SHCS M10 1.5 X 25MM 8.8 ZN	4	912	48	35
5	42471	Crank Shaft Assy 52T	1	E	80002	PIN 1/4 inch	2	-	-	-
6	32023	Bearing	1	F	80805	WSHRL M12 SPLIT ZN	4	127B	-	-
7	32213	Bearing	1	G*	80808	HHCS M12 1.75 X 20MM 8.8 ZN	4	933	83	61
8	30192	Retaining Ring	1	H	80806	WSHR M1) FLAT 20 OD ZN	4	125A	-	-
9	65000-2	Gearcase Assy with Bearings	1							
10	65003-2	Shock Mount Brkt	2							
11#	38507	Shaft Seal	1							
12	42466	Clutch Shaft 8T	1							
13	65004	Shock Mount	4							

REMARK: # Lube seal with grease when replacing
 * Loctite Required

Gearcase - SM Oil Injected and SM/SW Pre-Mix

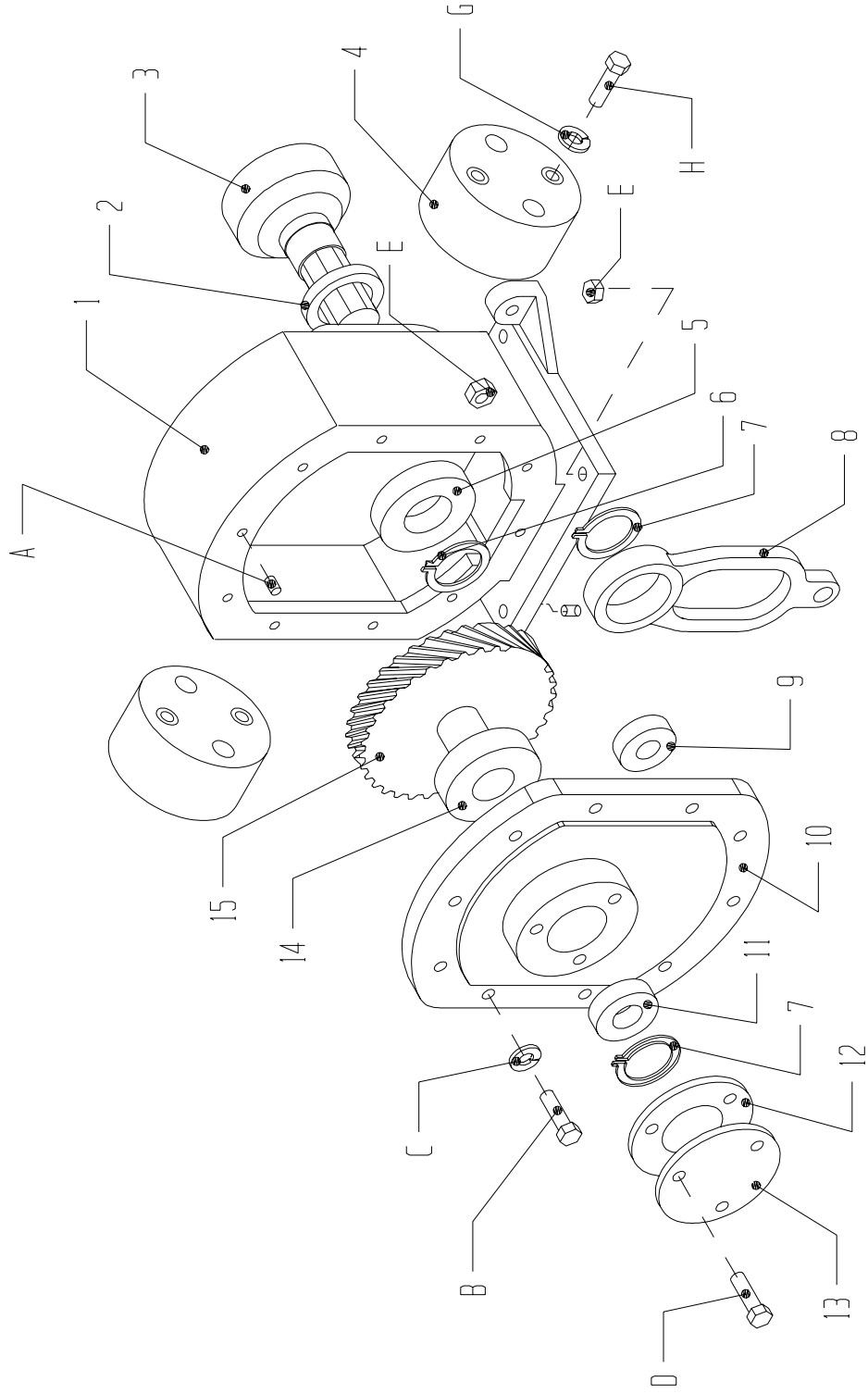


Gearcase - SM Oil Injected and SM/SW Pre-Mix

Item	Part No.	Description	Qty.	Item	Part No.	Description	Qty.	DIN	TORQUE (NM)	TORQUE (LB.FT.)
1	65029-2	Cap Speed Cover	1	A*	80821	SHCS M5 .8 X 16MM 8.8 ZN	3	912	-	-
2	30189	Gasket	1	B	80804	WSHRL M10 SPLIT ZN SM	12	127B	-	-
3**	22991	Gearcase Cover Assy	1			WSHRL M10 SPLIT ZN SW	16	127B	-	-
4	32216	O-Ring 81D	1	C*	80810	SHCS M8 1.25 X 20MM 8.8 ZN	8	912	24	18
5	32023	Bearing - 204	1	D	80812	WSHRL M8 SPLIT ZN	8	127B	-	-
6	42638	Gear 70 TH SM	1	E*	80825	SHCS M10 1.5 X 50MM 8.8 ZN	4	912	48	35
	42637	Gear 72 TH SW	1	G*	80801	SHCS M10 1.5 X 35MM 12.9 BLK SM	4	912	48	35
7	30192	Retaining Ring	1	*	80834	SHCS M10 1.5 X 60MM 12.9 BLK SW	4	912	48	35
8	65025	Shock Mount	2	H	80833	NUTNY M10 1.5 ZN SW	4	985	-	-
9	32213	Bearing - 206	1							
10	65023-2	Case	1							
11#	30193	Seal	1							
12	28672	Pinion Assy 10T SM	1							
	28790	Pinion Assy 8T SW	1							
13	80002	1/4 Dowel Pin	3							
14	28658	Connecting Rod Assy	1							
15	32214	Bearing - 307	1							
16	32212	Bearing - 205	1							
17	30191	Retaining Ring	2							

REMARK: # Lube seal with grease when replacing
 ** Gearcase Kit PN 23021 includes 1, 3, 5, 16 & 17
 * Loctite Required

Gearcase-Diesel



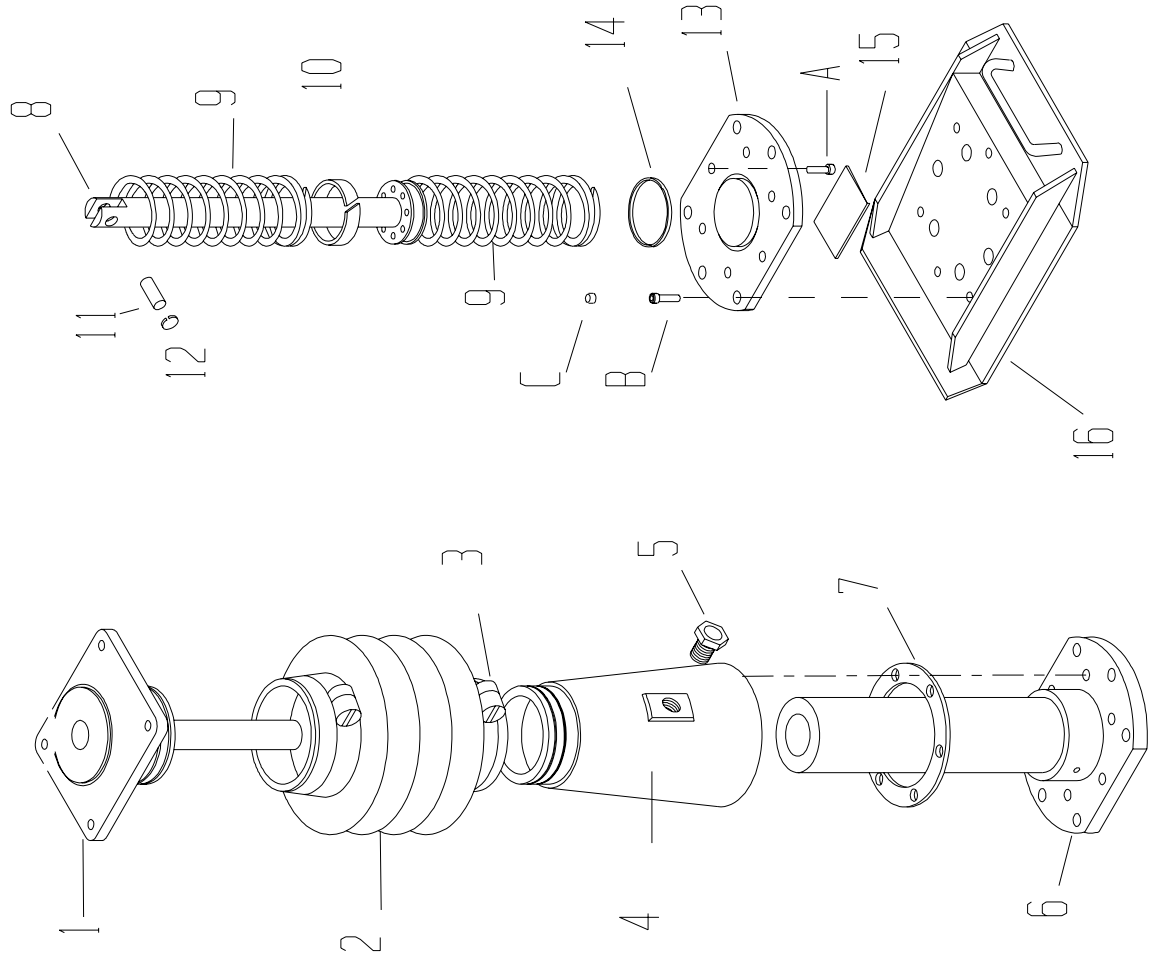
SD836-1B

Gearcase-Diesel

Item	Part No.	Description	Qty.	Item	Part No.	Description	Qty.	DIN	TORQUE (MM) (LB.FT.)
1	65072-2	Gearcase Machined Diesel	1	A	80002	PINDL 1/4 x 5/8 PLN	4	-	-
2	39224	Shaft Seal	1	B*	80810	SHCS M8-1.25 x 20 8.8 ZN	8	912	24 18
3	43176	Clutch Shaft Weld 14T	1	C	80812	WSHRL M8 Split ZN	8	27B	-
4	65025	Shock Mount Metric	2	D*	80821	SHCS M5 -.8 X 16 8.8 ZN	3	912	8 6
5	32177	Ball Bearing 6208-2RS	1	E	80833	NUTNY M10 - 1.5 ZN	4	985	-
6	32305	Ring Ext Retaining 1.57	1	G	80804	WSHRL M10 SPLIT ZN	4	127B	-
7	30191	Ring External 63/64	2	H*	80825	SHCS M10 -1.5 X 50 8.8 ZN	4	912	48 35
8	43177	Conn Rod Assembly Machined	1						
9	32023	Bearing Ball .787	1						
10	65073-2	Gearcase Cover	1						
10A#	23039-2	Gearcase Cover Assembly	1						
11	32212	Bearing 205	1						
12	30189	Gasket Speed Cover	1						
13	65029-2	Speed Cover	1						
14	32214	Bearing 1.378	1						
15	43179	Weldment Crank Gear 70T	1						

REMARK: * Loctite Required
PN 23039-2 includes 7, 9 - 13

Lower Unit for SN Pre-Mix

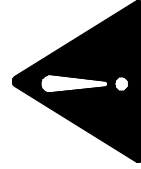


SN003A

Lower Unit for SN Pre-Mix

Item	Part No.	Description	Qty.	Item	Part No.	Description	Qty.	DIN	TORQUE (NM)	TORQUE (LB.FT.)
1	65049-2	Guide Tube	1	A	80800	SHCS M10 1.5 X 40MM 12.9 BLK	6	912	48	35
2	47360	Boot	1	B	80819	SHCS M12 1.75 X 35MM 8.8 ZN	6	912	83	61
3	44206	Boot Clamp	2	C	80765	Cap Plastic Blk	6	-	-	-

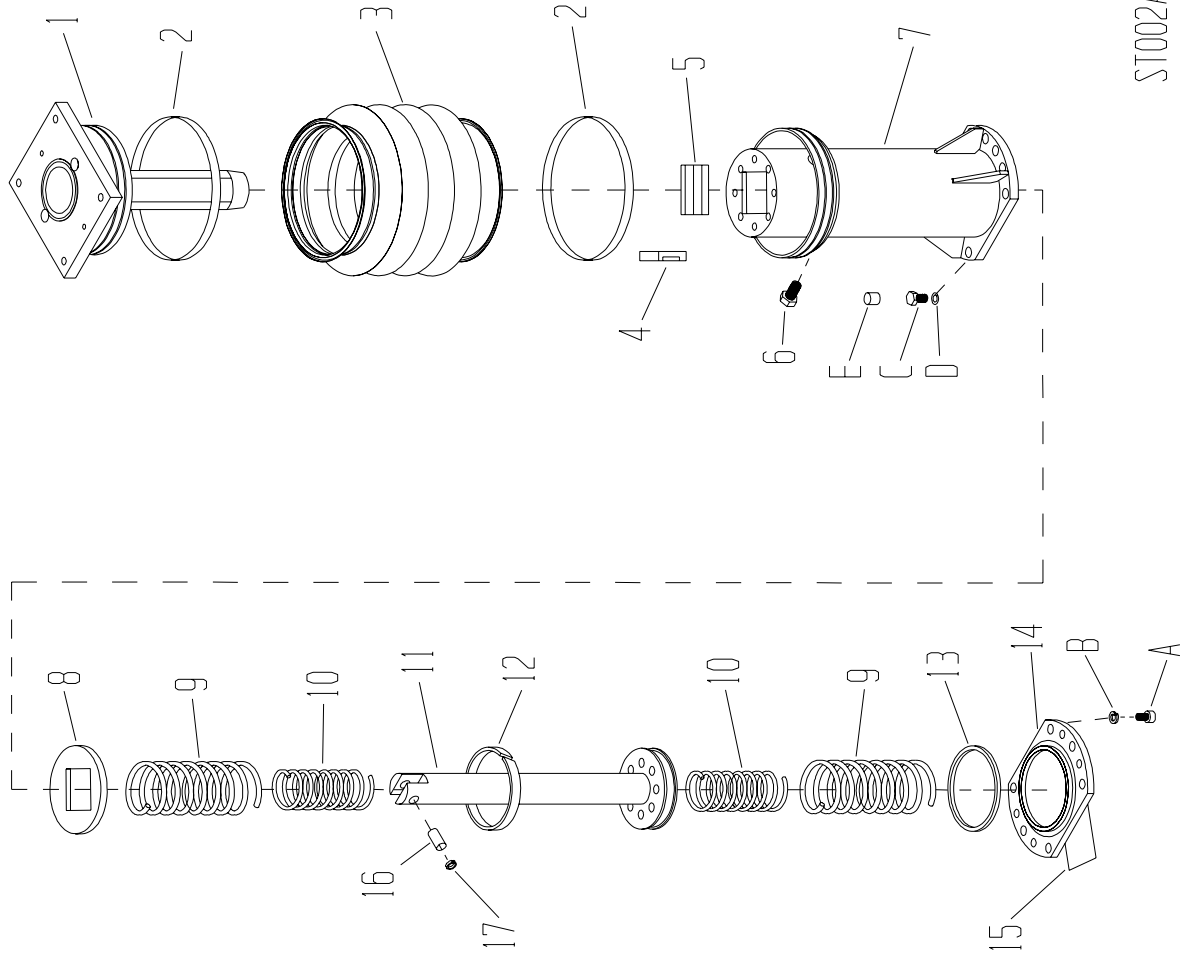
4	65017-2	Cover Spring Housing	1							
*5	34096	Oil Sight Plug	1							
6	65021-2	Spring Housing	1							
7	47316	Gasket	1							
8	42419	Piston	1							
9	42457	Springs	2							
10	42429	Piston Ring	1							
11	80733	Rod Pin	1							
12	80519	Internal Retaining Ring	1							
13	65019-2	Base Plate	1							
14	32252	O-ring	1							
15	55026	Spring Housing Safety Decal	1							
16	65022-2	Shoe 10 in. x 12 in.	1							
**	22989	Shoe Extension 4 in. x 10 in.								



The spring retaining Base Plate retains heavy springs under compression. Follow the instructions (Base Plate Removal located on Page 31 of this manual) carefully or severe personal injury may occur.

REMARK: * Use of a socket wrench is recommended to avoid damage to the sight gauge.
 ** Not Shown

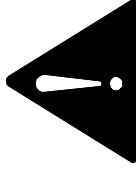
Lower Unit - ST Oil Injected and Pre-Mix



ST002A

Lower Unit - ST Oil Injected and Pre-Mix

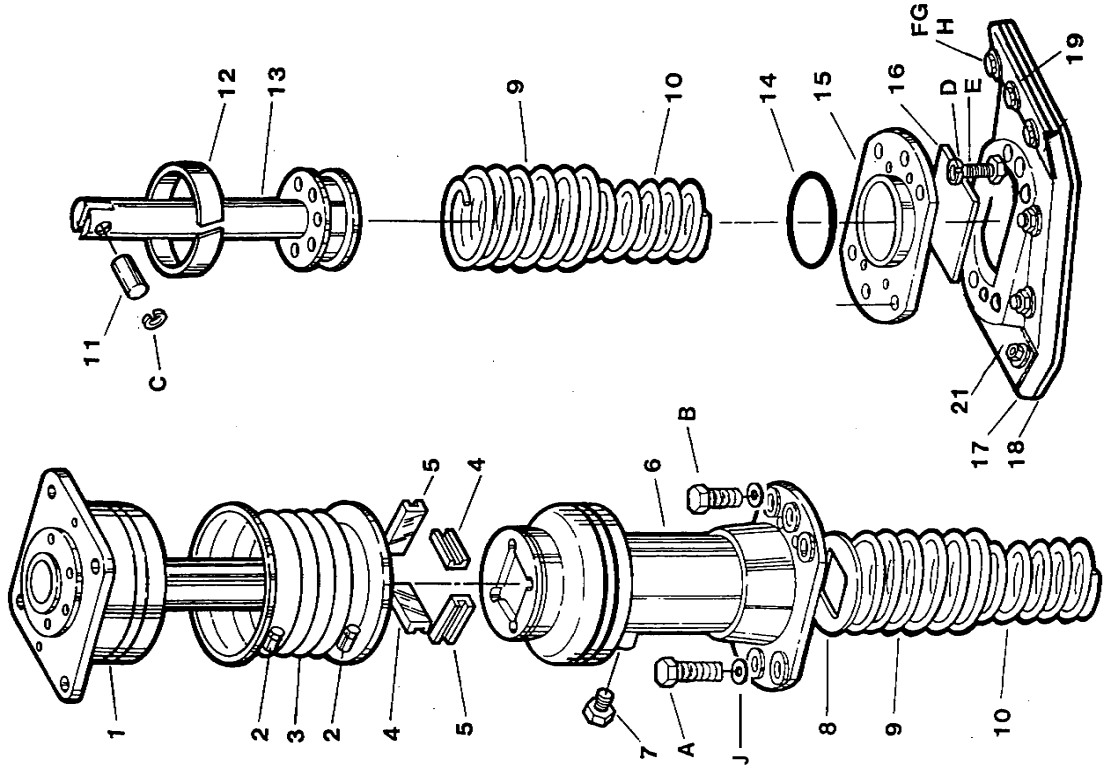
Item	Part No.	Description	Qty.	Item	Part No.	Description	Qty.	DIN	TORQUE (MM) (LB.FT.)
1	65050-2	Guide Tube	1	A*	80803	SHCS M10 1.5 x 25MM 8.8 ZN	4	912	48 35
2	44106	Boot Clamp	2	B	80804	WSHRL M10 Split ZN	6	127B	- -
3	47361	Boot	1	C*	80819	SHCS M12 1.75 X 35MM 12.9 ZN	6	912	83 61
4	27938	Bushing Short	2	D	80805	WSHRL M12 Split ZN	6	127B	- -
5	27939	Bushing Long	2	E	80765	Cap Plastic Blk	6	-	- -
6#	34096	Oil Sight Gauge	1						
7	65008-2	Spring Housing	1						
8	42318	Spring Spacer	1						
9	42619	Spring Outer	2						
10	42620	Spring Inner	2						
11	42923	Piston Assy	1						
12	27521	Piston Ring	1						
13	32033	O-Ring	1						
14	65009-2	Base Plate	1						
15	55026	Safety Decal	1						
16	80423	Rod Pin	1						
17	80519	Internal Retainer Ring	1						
18	65011-2	Shoe 11 (Not Shown)							



The spring retaining Base Plate retains heavy springs under compression. Follow the instructions (Base Plate Removal located on Page 31 of this manual) carefully or severe personal injury may occur.

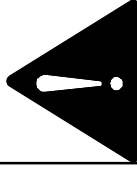
REMARK: # Use of a socket wrench is recommended to avoid damage to the sight gauge.
* Loctite Required

Lower Unit for SM Oil Injected and Pre-Mix



Lower Unit for SM Oil Injected and Pre-Mix

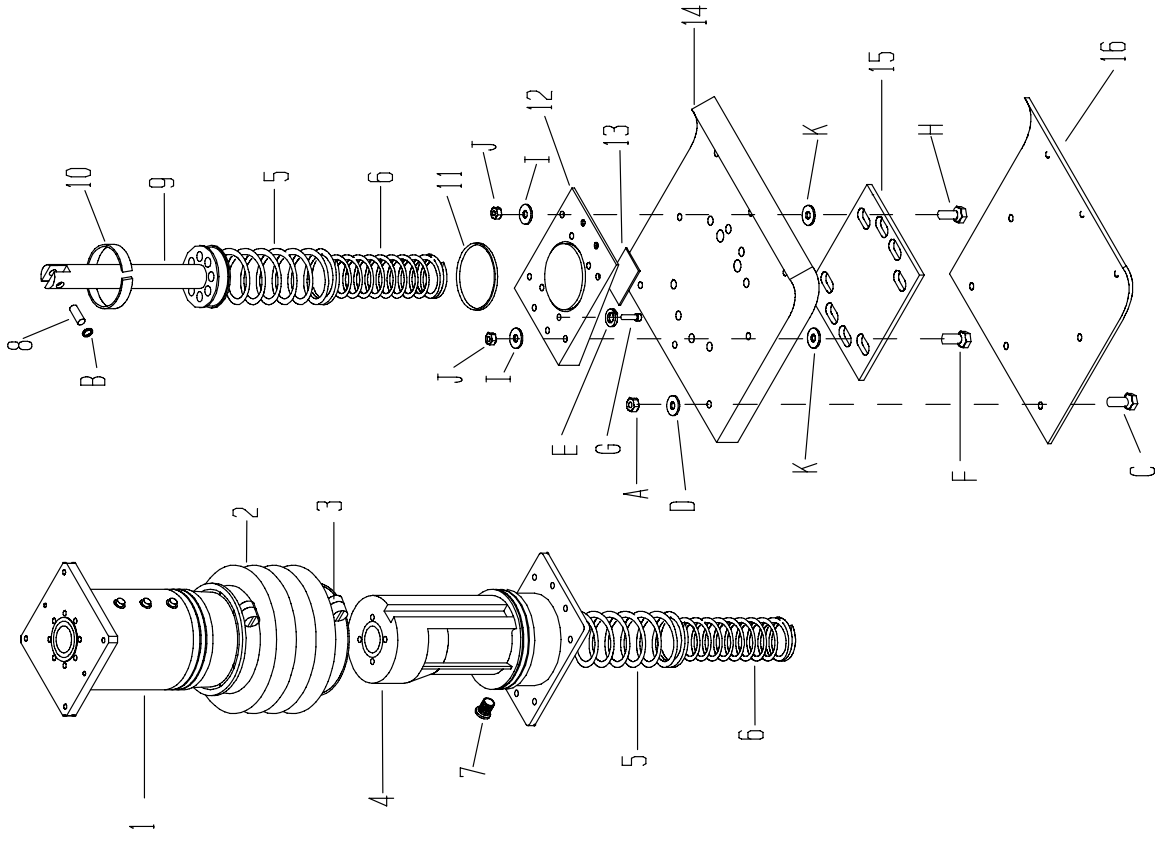
Item	Part No.	Description	Qty.	Item	Part No.	Description	Qty.	DIN	TORQUE (MM) (LB.FT.)
1	65032-2	Guide Tube	1	A	80824	SHCS M12-1.75 X 80 8.8ZN	3	912	83 61
2	44106	Boot Clamp	2	B	80822	SHCS M12 1.75 X 50MM 8.8 ZN	3	912	83 61
3	47361	Boot	1	C	80519	INTERNAL RETAINING RING	1	-	-
4	27938	Bushing Short	2	D	80812	WSHRL M8 SPLIT ZN	4	127B	-
5	27939	Bushing Long	2	E	80720	SHCS M8 1.25 X 25MM 8.8 ZN	4	912	24 18
6	65051-2	Spring Housing	1	F	80813	WSHR M8 X 24 OD ZN	10	9021B	-
7	34096*	Oil Sight Gauge	1	G	80823	FHSCS M8 1.25 X 50 MM 10.9 ZN	10	7991	24 18
8	42318	Spacer, Bearing to Spring	1	H	80817	NUTNY M8 1.25 ZN	10	985	-
9	42661	Spring Outer	2	J	80805	WSHRL M12 SPLIT ZN	6	127B	-
10	42662	Spring Inner	2	K**	80765	Cap Plastic Blk	6	-	-
11	80423	Rod Pin	1						
12	28694	Piston Ring	1						
13	28701	Piston Rod Assembly	1						
14	32033	O-Ring	1						
15	65026-2	Base Plate	1						
16	55026	Spring Housing Safety Decal	1						
17	47302	Shoe	1						
	65028	Insert	6						
18	65024-2	Shoe Plate	1						
19	29215-2	Shoe Edge Guard	1						
21	42353-2	Stiffener Rear Shoe	1						
**	22988	Shoe Kit (includes 17,18,19, 21 and hardware)	1						
		SHCS M12 1.75 X 80MM SHCS							



The spring retaining Base Plate retains heavy springs under compression. Follow the instructions (Base Plate Removal located on Page 31 of this manual) carefully or severe personal injury may occur.

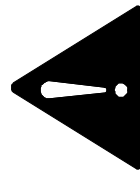
REMARK: * Use of a socket wrench is recommended to avoid damage to the sight gauge.
 ** Not Shown

Lower Unit for SW Pre-Mix



Lower Unit for SW Pre-Mix

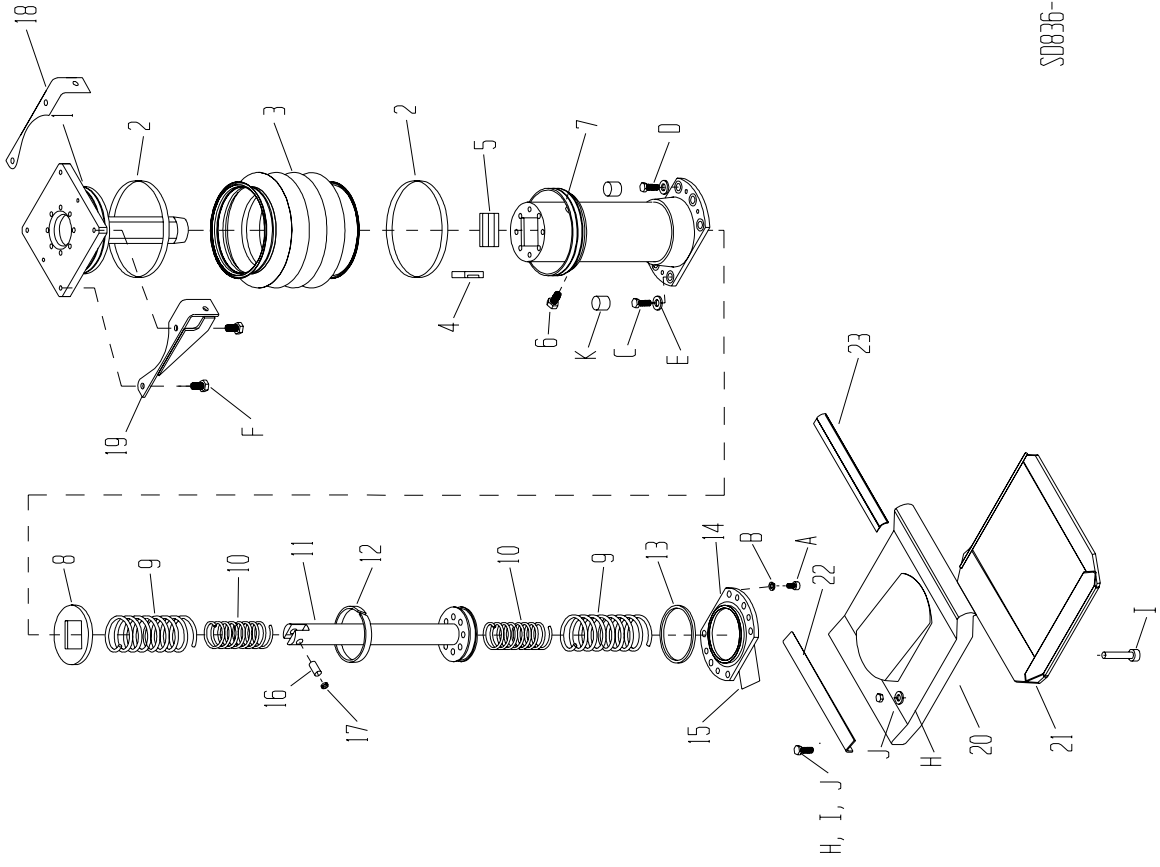
Item	Part No.	Description	Qty.	Item	Part No.	Description	Qty.	DIN	TORQUE (NM)	TORQUE (LB.FT.)
1	65039-2	Guide Tube	1	A	80833	NUTNY M10 - 1.5 ZN	8	985	48	35
2	47362	Boot	1	B	80519	INTERNAL RETAINING RING	1	-	-	-
3	44106	Boot Clamp	2	C*	80832	FHCS M10 1.5 X 70MM 10.9 ZN	8	7991	-	-
4	65034-2	Spring Housing Assy	1	D	80806	WSHR M10 X 21 OD ZN	8	125A	-	-
5	42487	Spring - Outer	2	E	80804	WSHRL M10 SPLIT ZN	4	127B	-	-
6	42488	Spring - Inner	2	F*	80829	HHCS M12 1.75 X 100MM 8.8ZN	4	931	83	61
7#	34096	Oil Sight Gauge	1	G*	80803	SHCS M10 1.5 X 25MM 8.8ZN	4	912	48	35
8	80423	Rod Pin	1	H*	80831	HHCS M12 1.75 X 70MM 8.8 ZN	4	931	83	61
9	42600	Piston Weld	1	I	80805	WSHR M12 SPLIT ZN	8	127B	-	-
10	28694	Piston Ring	1	J	80830	NUTNY M12 - 1.75 ZN	8	925	-	-
11	32033	O-ring	1	K	80835	WSHR M12 X 37 OD ZN	8	9021B	-	-
12	65036-2	Base Plate	1	L	80807	WSHR M12 X 240 OD ZN	3	125A	-	-
13	55023	Spring Housing Safety Decal	1							
14	65037-2	Wood Shoe	1							
15	42639-2	Shoe Backing Plate	1							
16	65038-2	Shoe Plate	1							



The spring retaining Base Plate retains heavy springs under compression. Follow the instructions (Base Plate Removal located on Page 30 of this manual) carefully or severe personal injury may occur.

REMARK: # Use of a socket wrench is recommended to avoid damage to the sight gauge.
 * Locifite Required

Lower Unit-Diesel



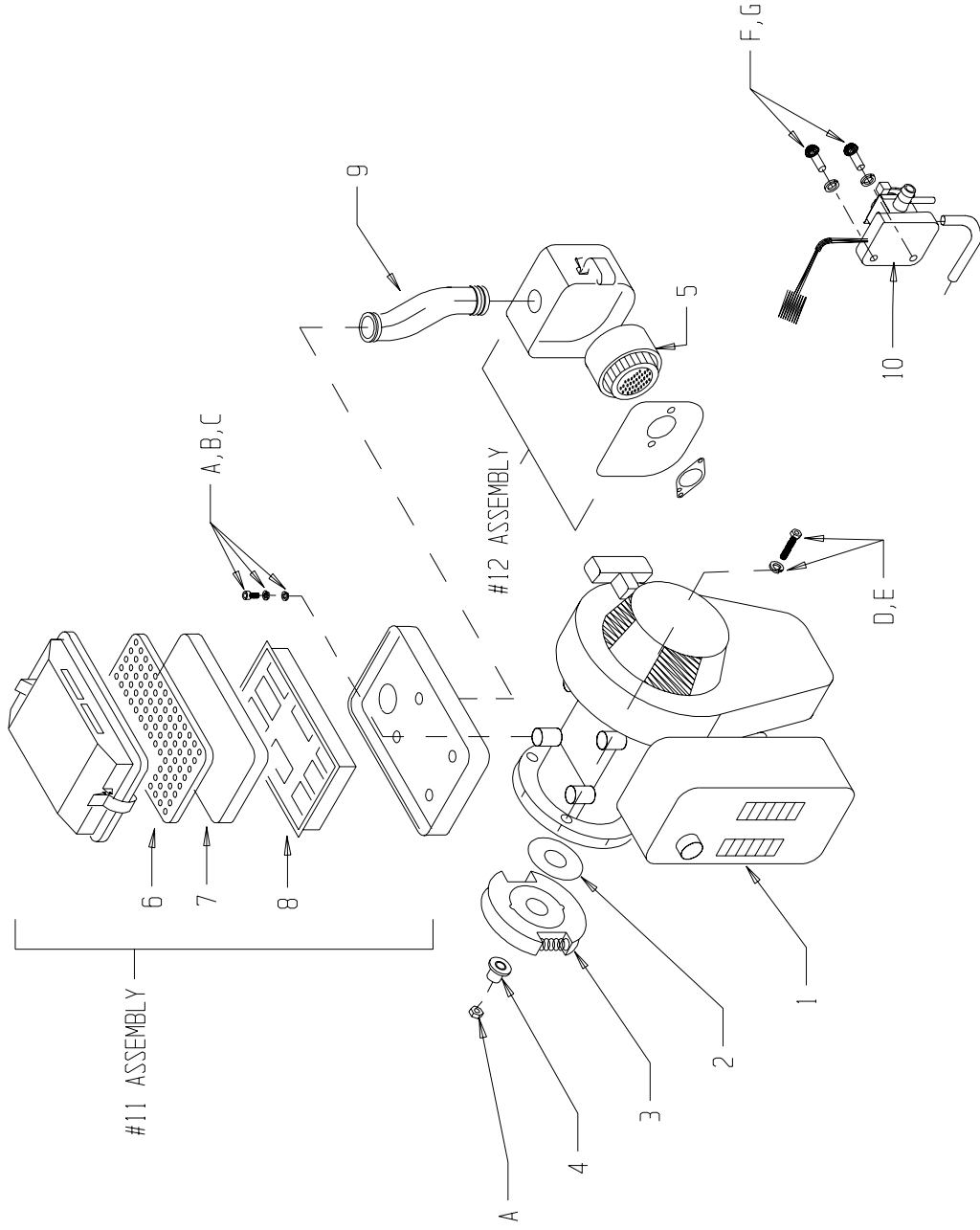
S0836-28

Lower Unit-Diesel

Item	Part No.	Description	Qty.	Item	Part No.	Description	Qty.	DIN	TORQUE (NM) (LB.FT.)
1	65032-2	Guide Tube Weld	1	A*	80720	SHCS M8-1.25 X 20 8.8 ZN	4	912	24 18
2	44106	Clamp Boot	2	B	80812	WSHRL M8 Split ZN	4	127B	-
3	47361	Boot Urethane	1	C*	80822	SHCS M12-1.75 X 50 8.8 ZN	3	912	83 61
4	27938	Bushing Short Square Guide	2	D*	80824	SHCS M12-1.75 X 80 8.8 ZN	3	912	83 61
5	27939	Bushing Long Square Guide	2	E	80826	WSHR M12 SPLIT ZN	6	127B	-
6	34096	Oil Sight Plug	1	F*	80838	HHCS M10-1.5 X 50 8.8 ZN	4	931	48 35
7	65069-2	Spring Housing Diesel	1	H	80813	WSHR M8 X 24 OD ZN	10	9021B	-
8	42318	Spring Spacer Cast	1	I*	80823	FHCS M8-1.25 X 50 10.9 ZN	10	7991	-
9	42661	Blue/Blue Spring Outer	2	J	80817	NUTNY M8 ZN	10	985	-
10	42662	Blue/Yellow Spring Inner	2	K	80765	Cap Plastic Blk	6	-	-
11	43181	Weldment Diesel Piston	1						
12	28694	Ring Piston	1						
13	32033	O-Ring 01-242 All	1						
14	65065	Shoe Plate Diesel	1						
15	55026	Decal Warning Spring	1						
16	80423	Con Rod Pin .5 x 1.25 P	1						
17	80519	Ring Internal 1/2 PLN	1						
18	65067	Weldment Support Guide Right	1						
19	65066	Weldment Support Guide Left	1						
20	47302	Shoe	1						
	65028	Insert	6						
21	65064	Base Plate Weld	1						
22	42353	Stiffener Rear	1						
23	29215	Shoe Guard	1						

REMARK: See Warning for Base Plate on Page 7
* Loctite Required

Engine for ST Oil Injected and Pre-Mix



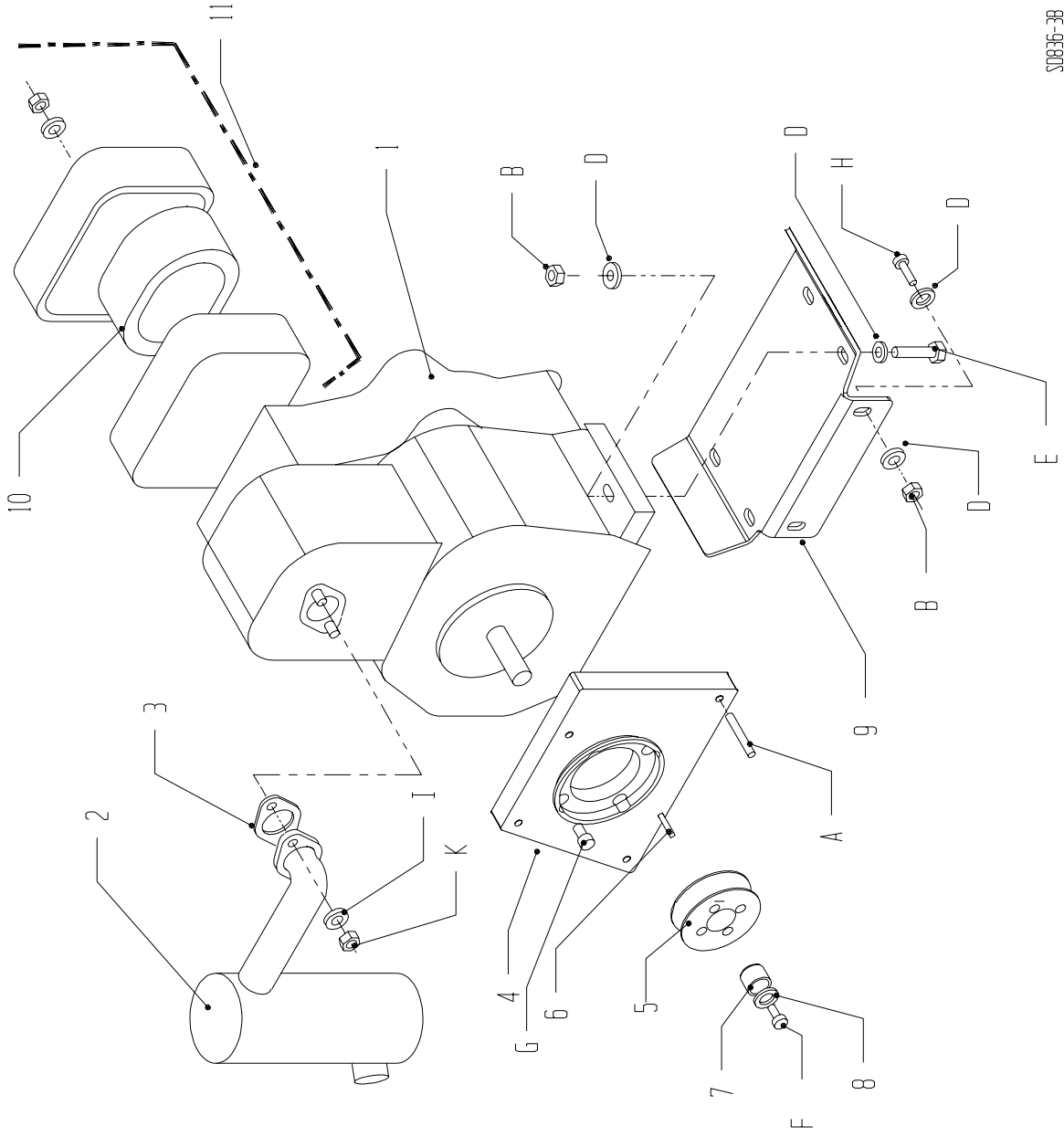
ST001F

Engine for ST Oil Injected and Pre-Mix

Item	Part No.	Description	Qty.	Item	Part No.	Description	Qty.	DIN	TORQUE (NM) (LB.FT.)
1	30554	EC-12 Oil Injected Engine	1	A	35060	Locknut (M12 x 1.25)	1	-	83 61
	30354	EC-12 Pre-Mix Engine	1	B*	80406	HC8 M8-1.25 x 20mm 8.8 ZN	4	933	24 18
2	80426	Washer 9/16 Type B Nar ZN	1	C	80812	WSHRL M8 Split ZN	4	-	-
3	30308	Clutch	1	D	80813	WSHR M8 Flat 24 CD ZN	4	-	-
4	37242	Spacer	1	E*	80815	HC8 M10 1.50 x 30mm 8.8 ZN	4	933	35 48
5	23064	Air Filter Set Lower	1	F	80804	WSHRL M10 Split ZN	4	-	-
6	39329	Air Filter Coarse Upper	1	G	80926	HSC8 M4.0 x 16mm ZN	2	7981	8 6
7	39330	Air Filter Fine Upper	1	H	80929	WSHRL M4 Split ZN	2	127B	-
8	39332	Air Frame Filter Upper	1						
9	39334	Hose Air Filter	1						
10	23019	Valve Assembly	1						
11	23063	Air Filter, Upper	1						
12	23064	Air Filter, Lower	1						

REMARK: * Loctite Required

Engine - Diesel



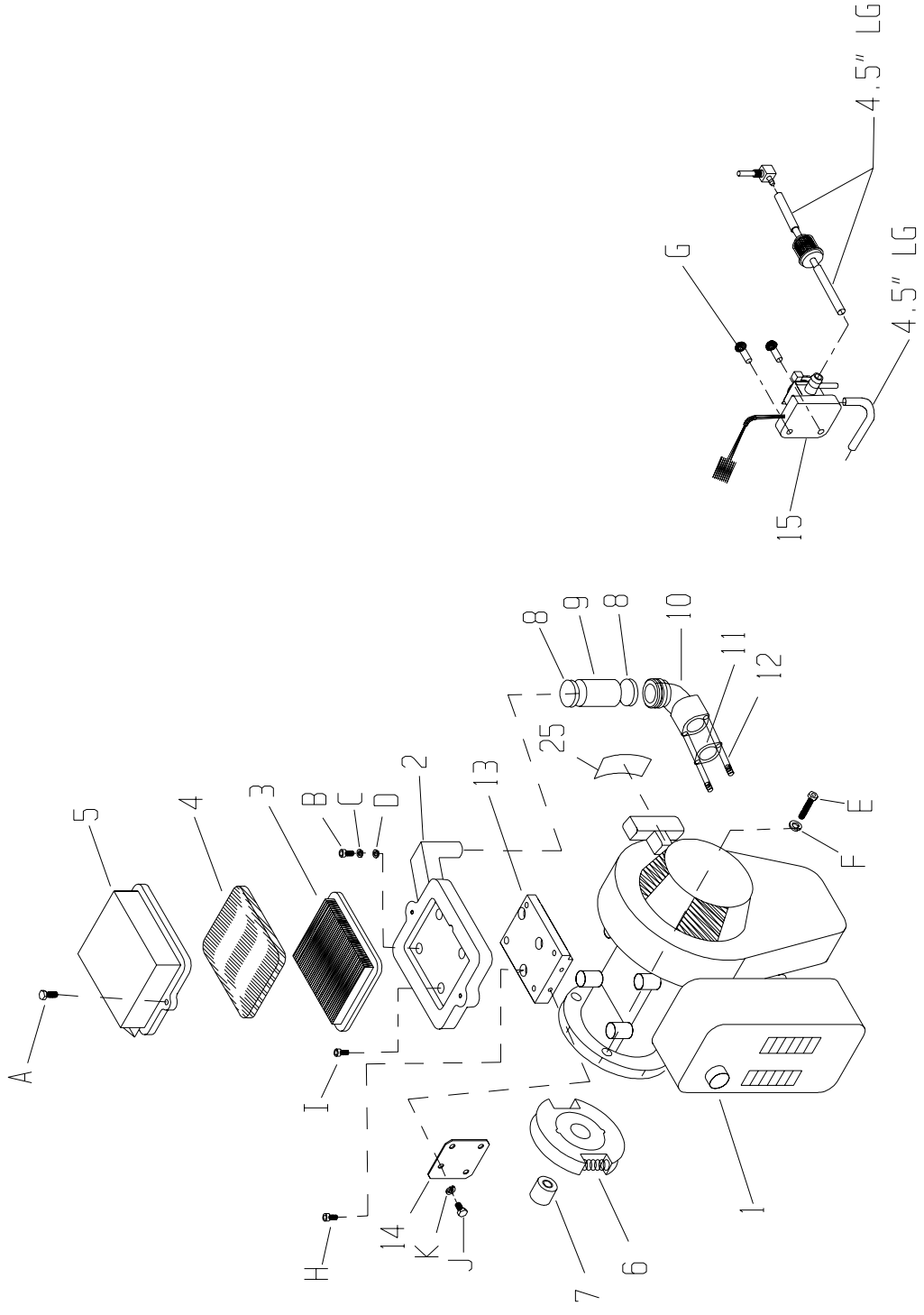
SD836-3B

Engine - Diesel

Item	Part No.	Description	Qty.	Item	Part No.	Description	Qty.	DIN	TORQUE (NM) (LB.FT.)
1	31244	Engine Yanmar L40A 4HP	1	A*	80902	STUD M10 - 1.5 X 60 8.8 ZN	4	939	-
	39357	Key Yanmar	1	B	80833	NUTNY M10 - 1.5 ZN	6	985	-
2	31245	Muffler Special Yanmar	1	D	80806	WSHR M10 FLAT 200D ZN	12	125A	-
3	39236	Gasket Exhaust	1	E*	80838	HHCS M10 - 1.5 X 50 8.8 ZN	4	931	48 35
4	65071	Adaptor Yanmar L40 Diesel	1	F*	80173	HHCS5/16 - 24 X 1 GR5 ZN	1	-	-
5	23042	Clutch Assembly	1	G*	80810	SHCS M8 - 1.25 X 20 8.8 ZN	8	912	24 18
6	80611	Square Key	1	H*	80803	SHCS M10 - 1.5 X 25 8.8 ZN	2	912	48 35
7	43187	Spacer Clutch Hub Diesel	1	I	80813	WSHR M8 FLAT 24 OD ZN	2	9021B	-
8	65075	Washer Clutch Retainer	1	J	80814	NUTEX M8 - 1.25 ZN2	2	934	-
9	65068	Weldment Engine Support	1						
10	39235	Air Filter with Precleaner	1						
11	39237	Air Filter Assembly	1						

REMARK: * Loctite Required

Engine - SN Pre-Mix

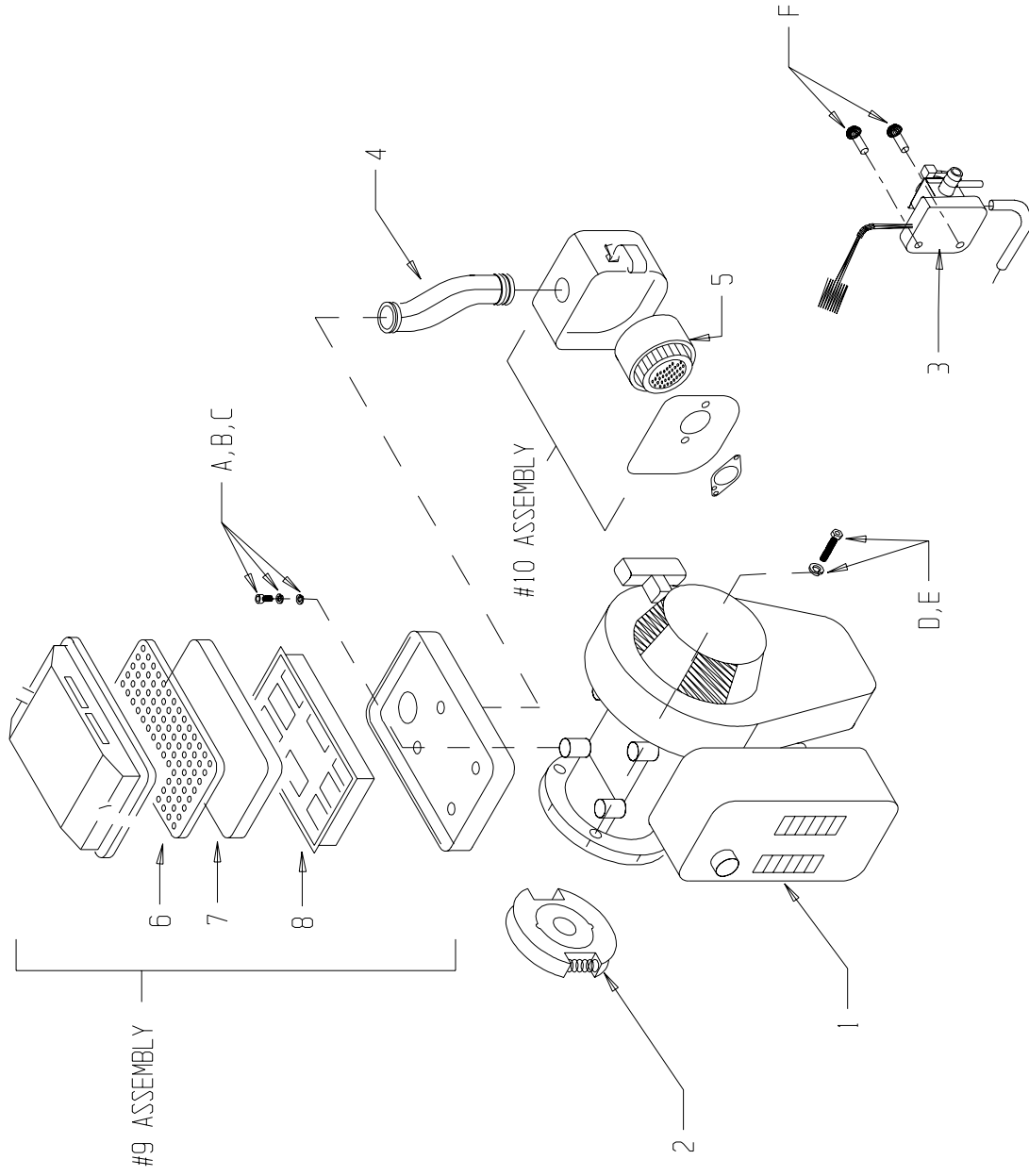


Engine - SN Pre-Mix

Item	Part No.	Description	Qty.	Item	Part No.	Description	Qty.	DIN	TORQUE (MM) (LB.FT.)
1	30298	EC-08 Engine	1	A	80752	Screw Air Cleaner	2	-	-
2	42981	Base Air Cleaner	1	B*	80406	HHCS M8-1.25 X 30 8.8 ZN	4	933	24 18
3	47356	Air Filter	1	C	80812	WSHRL M8 Split ZN	4	127B	-
4	47358	Pre-Cleaner	1	D	37695	Sealing Washer	4	-	-
5	47357	Cover Air Cleaner	1	E*	80087	HHCS M8-1.25 X 25 8.8 ZN	4	933	24 18
6	30308	Clutch	1	F	80812	WSHRL M8 Split ZN	4	127B	-
7	42640	Nut	1	G*	80899	PPHMS M4 X 12 Type ZZN	2	7985A	-
8	39063	Clamp	2	H	80763	SHCS M8-1.25 X 20 12.9 Blk	2	912	24 18
9	46643	Hose Air Cleaner	1	I*	80762	SHCS M8-1.25 X 40 8.8 ZN	3	912	24 18
10	42979	Elbow	1	J*	80836	HHCS M6-1.00 X 16 8.8 ZN	4	933	8 6
11	47359	Gasket	1	K	80856	WSHR M6 Flat 12 OD ZN	4	125A	-
12	42896	Stud	2						
13	65052	Adaptor Block	1						
14	42996-2	Plate Muffler	1						
15	23019	Valve Assembly	1						
16	55322	Decal Off/On	1						

REMARK: * Loctite Required

Engine - SM Oil Injected and SM/SW Pre-Mix



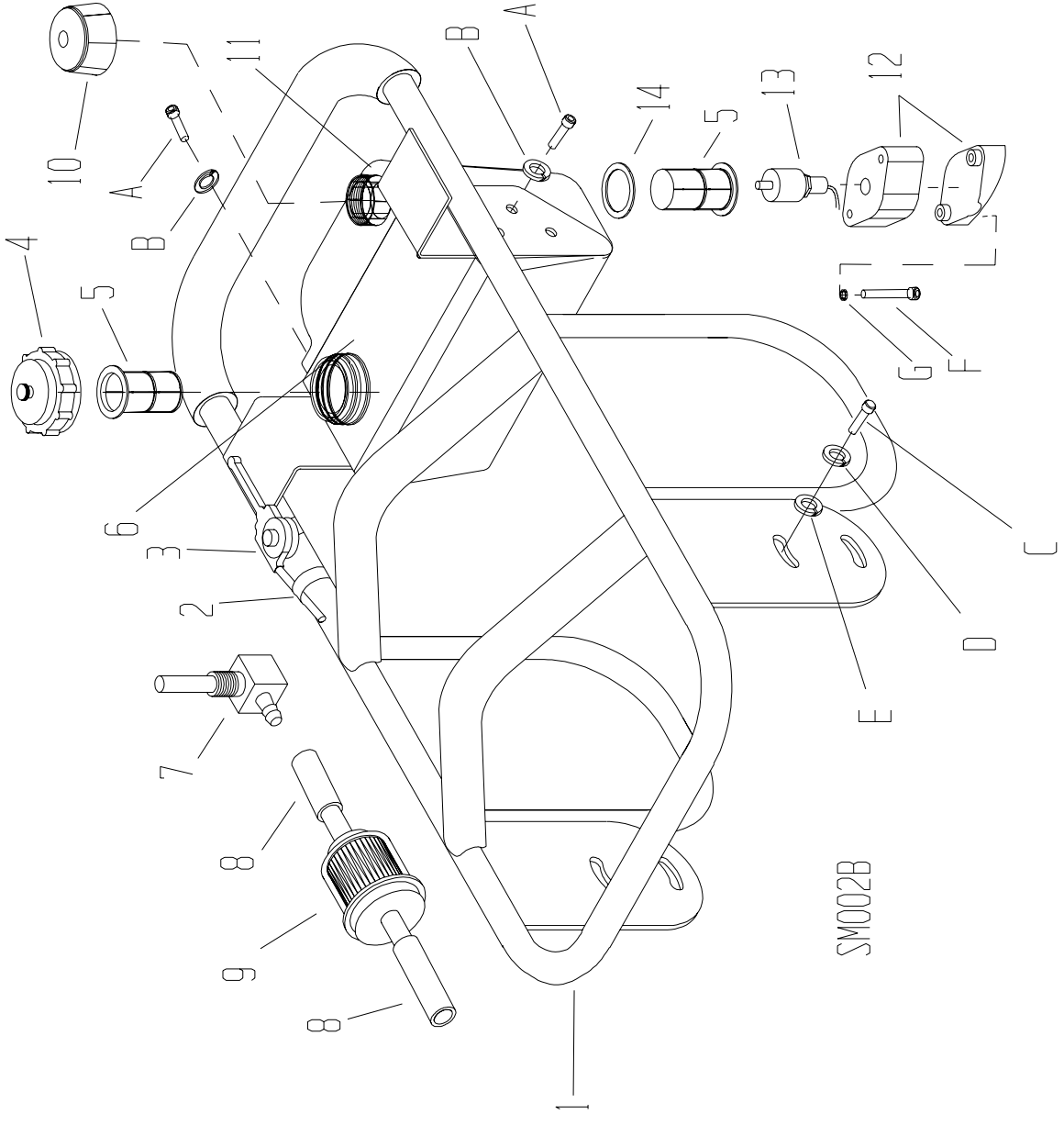
SM001F

Engine - SM Oil Injected and SM/SW Pre-Mix

Item	Part No.	Description	Qty.	Item	Part No.	Description	Qty.	DIN	TORQUE (MM) (LB.FT.)
1	30554	EC-12 Oil Injected Engine	1	A*	80406	HHCS M8-1.25 x 20mm 8.8 ZN	4	933	24 18
2	30354	EC-12 Pre-Mix Engine	1	B	80812	WSHRL M8 Split ZN	4	127B	- -
3	28794	Clutch	1	C	80813	WSHR M8 Flat 24 OD ZN	4	9021B	- -
4	23019	Valve Assembly	1	D*	80815	HHCS M10 1.50 x 30mm 8.8 ZN	4	933	35 48
5	39334	Hose Air Filter	1	# *	80872	SHCS M10-1.5 x 30mm 8.8 ZN	2	912	48 35
6	23064	Air Filter Set, Lower	1	E	80820	WSHRL M10 Split ZN	6	7980	- -
7	39329	Air Filter Coarse Upper	1	F	80926	HSCS M4.0 x 16 mm ZN	2	7981	8 6
8	39330	Air Filter Fine Upper	1						
9	39332	Frame Air Filter Upper	1						
10	23063	Air Filter Assy Upper	1						
	37928	Air Filter Assy Lower	1						

REMARK: # Not shown
* Loctite Required

Handle and Fuel Tank - ST/SM Oil Injected



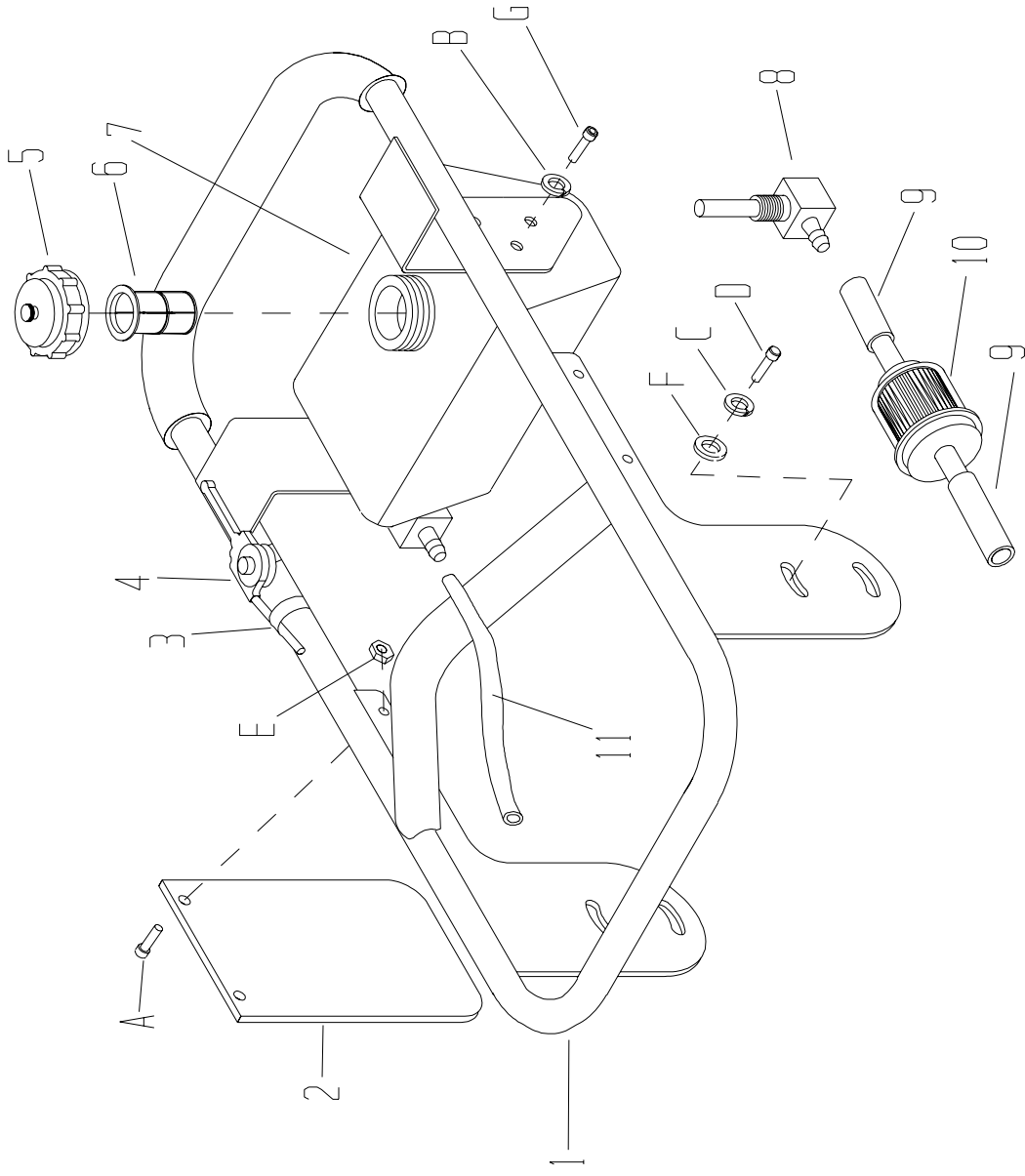
SM002B

Handle and Fuel Tank - ST/SM Oil Injected

Item	Part No.	Description	Qty.	Item	Part No.	Description	Qty.	DIN	TORQUE (NM)	TORQUE (LB.FT.)
1	43212-2	Handle SM	1	A*	80894	SHCS M8 1.25 X 16 MM 8.8 ZN	10	912	24	18
	43211-2	Handle ST	1	B	80812	WSHRL M8 SPLIT ZN	6	127B	-	-
2	34091	Cable Clamp	1	C*	80887	HHCS M12 1.75 X 20 MM 8.8 ZN (ST)	4	933	83	61
3	23069	Kit Throttle ST/SM	1	*	80803	SHCS M10-1.5 X 25MM 8.8 ZN (SM)	4	912	48	35
	23068	Kit Throttle Cable ST/SM	1	D	80804	WSHRL M12 SPLIT ZN (SM)	4	127B	-	-
4	35701	Cap Gas	1		80805	WSHRL M10 SPLIT ZN (ST)	4	127B	-	-
5	47219	Strainer	2	E	80807	WSHR M12 X 24 OD ZN (ST)	4	125A	-	-
6	39350	Tank Gas	1		80806	WSHR M10 X 20 OD ZN (SM)	4	125A	-	-
7	23022	Tank Fitting	1	F	80912	SHCS M6 X50 BLK BN2	4	-	-	-
8	28799	Line Gas	3	G	80856	WSHR M6 FLAT 12 OD ZN	4	125A	-	-
9	35486	Filter Gas	1							
10	39346	Cap Oil	1							
11	39349	Tank Oil	1							
12	23065	Tank Guard Set	1							
13	39316	Sensor Oil	1							
14	32314	Gasket, Oil Tank	1							
#	39150	Hose, Guard	1							
#	43210	Wiring Harness	1							
#	39308	Ferrule	2							

REMARK: * Loctite Required

Handle and Fuel Tank - Diesel



Handle and Fuel Tank - Diesel

Item	Part No.	Description	Qty.	Item	Part No.	Description	Qty.	DIN	TORQUE (NM) (LB.FT.)
1	65070-2	Handle Assembly Weld Diesel	1	A*	80810	SHCS M8 - 1.25 X 20 8.8 ZN1	4	912	24 18
2	65007-2	Guard Side	2	B	80812	WSHRL M8 SPLIT ZN	6	127B	- -
3	34091	Clamp Cable All	1	C	80804	WSHRL M10 SPLIT ZN	4	127B	- -
4	23040	Throttle Kit ¹	1	D*	80803	SHCS M10 - 1.5 X 25 8.8 ZN	4	912	48 35
5	35701	Cap Plastic Gas/Water	1	E	80817	NUTNY M8 - 1.25 ZN	4	985	- -
6	47219	Fuel Strainer	1	F	80806	WSHR M10 FLAT 20 OD ZN	4	125A	- -
7	65074	Fuel Tank Modified Diesel	1	G*	80894	SHCS M8-1.25 x 16 8.8 ZN	6	912	24 18
8	39056	Valve/Strainer	1						
9	47385	Fuel Line 5/16 ID	4						
10	39234	Fuel Filter Diesel	1						
11	47386	Fuel Line 1/4 ID	1						

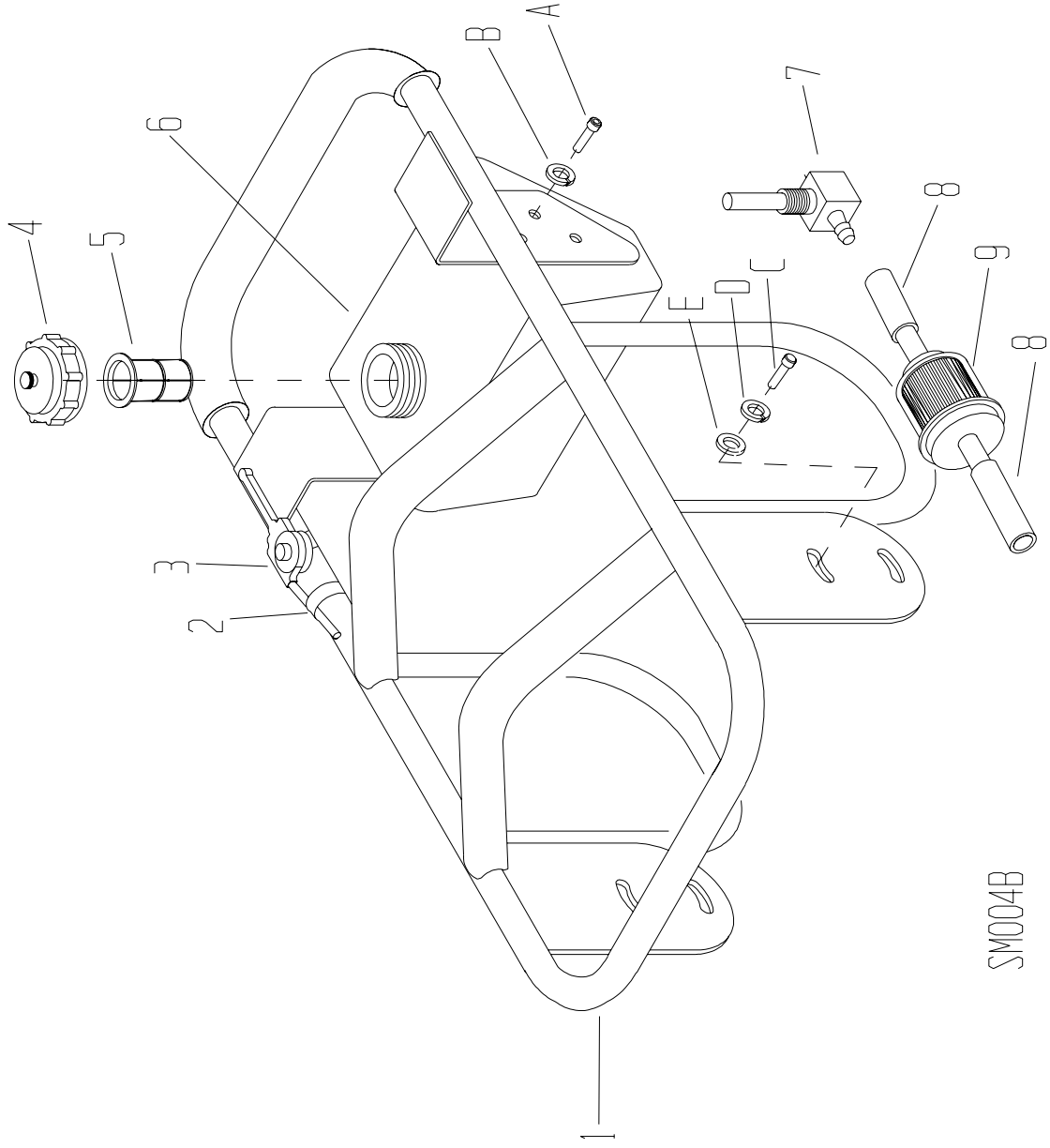
REMARK: ¹Throttle Kit PN 23040 includes: Cable PN 41029, Jacket PN 47351 and Throttle PN 35431.
* Loctite Required.

Handle and Fuel Tank - SN Pre-Mix

Item	Part No.	Description	Qty.	Item	Part No.	Description	Qty.	DIN	TORQUE (MM) (LB.FT.)
1	65047-2	Handle SN	1	A*	80810	SHCS M8 1.25 X 20 8.8 ZN	4	912	24 18
2	65007-2	Guard Side	1	B	80817	NUTNY M8 1.25 ZN	4	985	- -
3	34091	Cable Clamp	1	C*	80894	SHCS M8 1.25 X 16 8.8 ZN	6	912	24 18
4#	23032	Throttle Kit SN	1	D	80812	WSHRL M8 SPLIT ZN	6	127B	- -
	39052	Throttle Cable SN	1	E*	80887	HHCS M12 1.75 X 25 MM 8.8 ZN	4	933	83 61
	43227	Throttle Fitting Nut SN	1	F	80805	WSHRL M12 SPLIT ZN	4	127B	- -
5	35701	Gas Cap	1	G	80807	WSHR M12 FLAT 2400 ZN ST/SN	4	125A	- -
6	47219	Strainer	1						
7	65006	Gas Tank	1						
8	23022	Tank Fitting	1						
9	28799	Gas Line	3						
10	35486	Gas Filter	1						

REMARK: #LEVER, CABLE, HOUSING
* Loctite Required

Handle and Fuel Tank - ST, SM, SW Pre-Mix



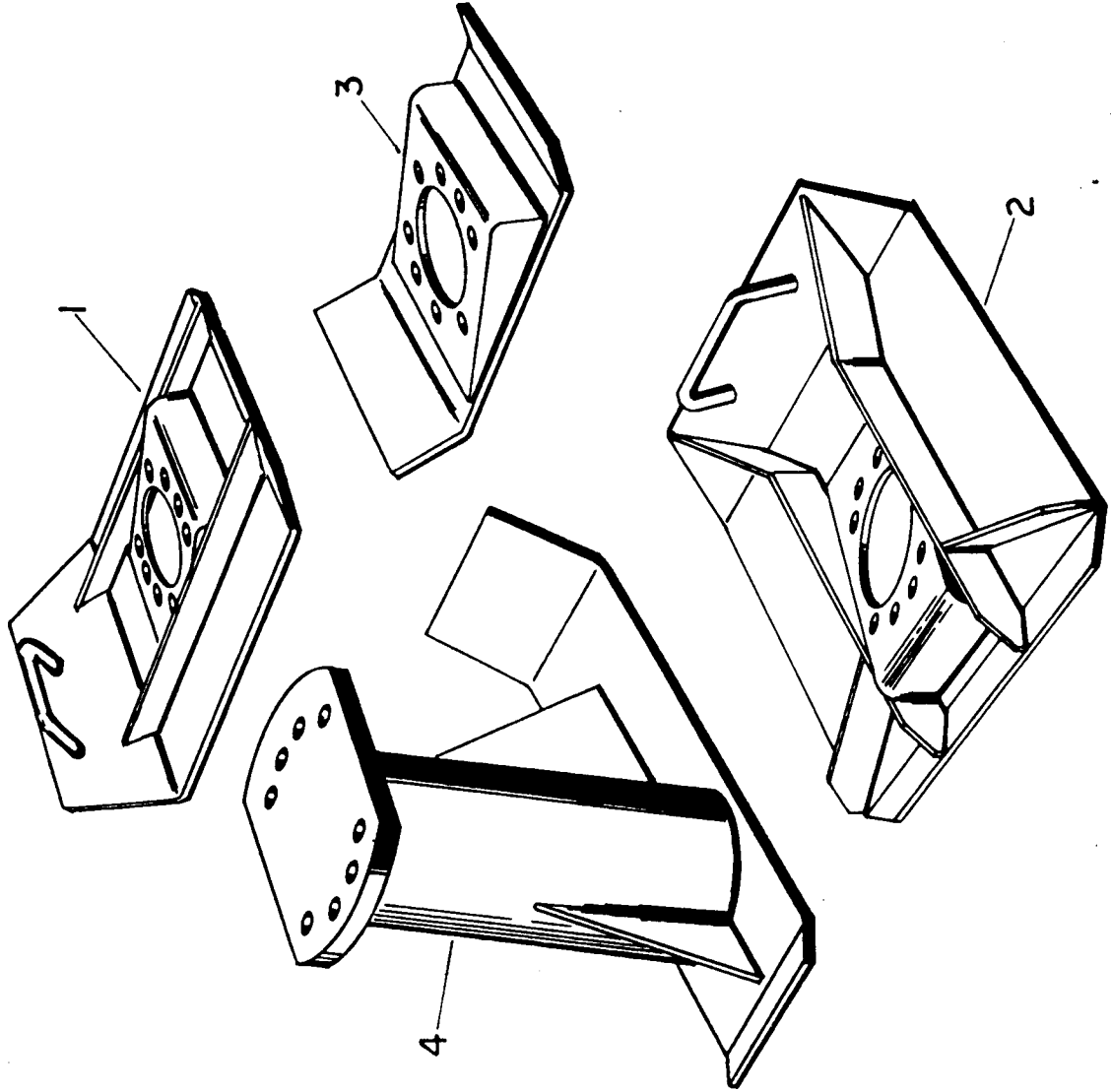
SM004B

Handle and Fuel Tank - ST, SM, SW Pre-Mix

Item	Part No.	Description	Qty.	Item	Part No.	Description	Qty.	DIN	TORQUE (NM) (LB.FT.)
1	43212-2	Handle SM/SW	1	A*	80894	SHCS M8 1.25 X 16 8.8 ZN	6	912	24 18
	43211-2	Handle st	1	B	80812	WSHRL M8 SPLIT ZN	6	127B	- -
2	34091	Cable Clamp	1	C*	80803	SHCS M10 1.5 X 25 8.8 ZN SM/SW	4	912	48 35
3#	22901	Throttle Kit ST/SM/SW	1	*	80887	HHCS M12 1.75 X 25 MM 8.8 ZN ST	4	933	83 61
	39050	Throttle Cable ST/SM/SW	1	D	80804	WSHRL M12 SPLIT ZN	4	127B	- -
	43227	Throttle Fitting Nut	1		80805	WSHRL M12 SPLIT ZN	4	127B	- -
4	35701	Gas Cap	1	E*	80806	WSHR M10 FLAT3000 ZN SM/SW	4	125A	- -
5	47219	Strainer	1		80807	WSHR M12 FLAT 2400 ZN ST	4	125A	- -
6	65006	Gas Tank 24:1 EC8	1						
	65081	Gas Tank 50:1 EC12	1						
7	23022	Tank Fitting	1						
8	28799	Gas Line	3						
9	35486	Gas Filter	1						

REMARK:

Shoes for ST Oil Injected and Pre-Mix



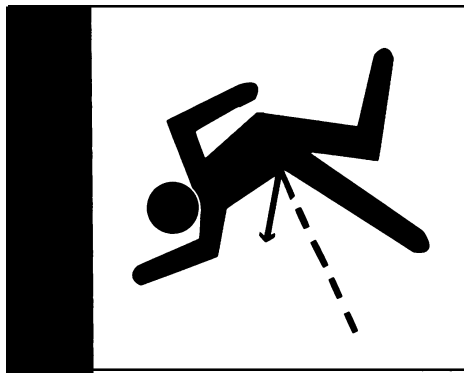
Shoes for ST Oil Injected and Pre-Mix

TORQUE
(NM) (LB.FT.)

Item	Part No.	Description	Qty.	Item	Part No.	Description	Qty.	DIN	TORQUE (NM) (LB.FT.)
1	22983	Kit Shoe 11" Wide							
2	22984	Kit Shoe Optional Shoe 15" Wide							
3	22985	Kit Shoe Optional 5" Wide							
4	22986	Kit Shoe Optional Extension 4" Wide							
*5	22987	Kit Shoe Optional 4" Wide							

REMARK: * NOT SHOWN

Decals - Oil Injected



• Springs Under Compression
 • May Cause Injury
 • Consult Manual or Manufacturer Before Removing Plate.
 1-800-888-9926
 55026

CAUTION



Hearing protection required when operating this machine.



Read owners manual before operating or servicing this machine.

55336

OPERATING INSTRUCTIONS

Before starting, check oil level in oil tank. Fill with a quality grade two cycle oil.

With engine off, fill fuel tank with regular grade gasoline.

To start engine: Turn ignition/fuel switch to "ON"; open air vent in fuel tank cap; close choke and pull starter rope.

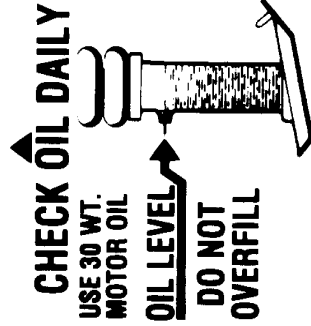
To stop: Turn ignition/fuel switch to "OFF" and close fuel cap vent.

See owners manual for additional instructions.

WARNING

After servicing or repairing unit, make sure oil line is full or engine failure will occur.

55345



NOTICE

CONTACT THE MANUFACTURER IMMEDIATELY AT 1-800-888-9926 IF SAFETY OR HAZARD DECALS OR OWNER'S MANUAL ARE MISSING FROM THIS EQUIPMENT. 55156

AIR FILTER MAINTENANCE

Daily clean filter located on top and the side of the engine.

- Wash foam elements with detergent and water.
- Dry the elements by squeezing between towels.
- Relubricate with engine oil. Squeeze out excess oil and reinstall.

P/N 55337

Decals - Diesel

CAUTION

FUEL OIL

- USE DIESEL FUEL.
- CLEAN FILTER EVERY 500hrs.

LUBE OIL

- SAE 10W30 GRADE CC
- CHANGE LUBE OIL EVERY 100hrs.
- CLEAN FILTER EVERY 100hrs.

STARTING

- CHECK LUBE OIL LEVEL AND FUEL.
- FOR EASY STARTING IN COLD WEATHER, ADD 2cc LUBE OIL TO ROCKER ARM COVER.
- WARM UP WITHOUT LOAD.

STOPPING





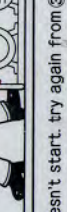

- CLOSE FUEL COCK AFTER STOPPING ENGINE.

PN 55325



• Springs Under Compression
• May Cause Injury
• Consult Manual or Manufacturer Before Removing Plate.
1-800-888-9926 55026

HOW TO START

- ① Open the fuel cock   Put the Lever in the "START" position.
- ③ Pull the starting handle slowly. 
- ④ Pull until you feel resistance. Then return it slowly. 
- ⑤ Push the decompression lever down and release. 
- ⑥ Pull the rope hard and fast. 

If the engine doesn't start, try again from ③

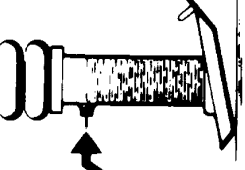
PN55324

NOTICE

CONTACT THE MANUFACTURER IMMEDIATELY AT 1-800-888-9926 IF SAFETY OR HAZARD DECALS OR OWNER'S MANUAL ARE MISSING FROM THIS EQUIPMENT. 55156

CHECK OIL DAILY

USE 30 WT. MOTOR OIL



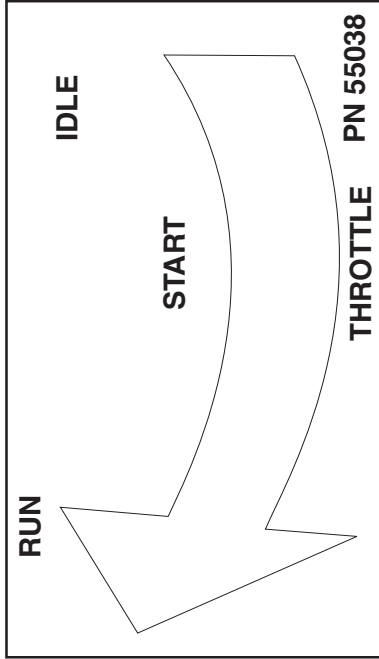
OIL LEVEL


DO NOT OVERFILL


PN 55053

REMARK:

Decals - ST and SM








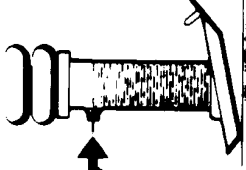
ATTENTION

This engine's carburetor was preset at the factory. Due to differences in altitudes it may require fine tuning prior to use.



- Springs Under Compression
- May Cause Injury
- Consult Manual or Manufacturer Before Removing Plate.

1-800-888-9926
55026



CHECK OIL DAILY

USE 30 WT. MOTOR OIL

OIL LEVEL

DO NOT OVERFILL

NOTICE

CONTACT THE MANUFACTURER IMMEDIATELY AT 1-800-888-9926 IF SAFETY OR HAZARD DECALS OR OWNER'S MANUAL ARE MISSING FROM THIS EQUIPMENT.