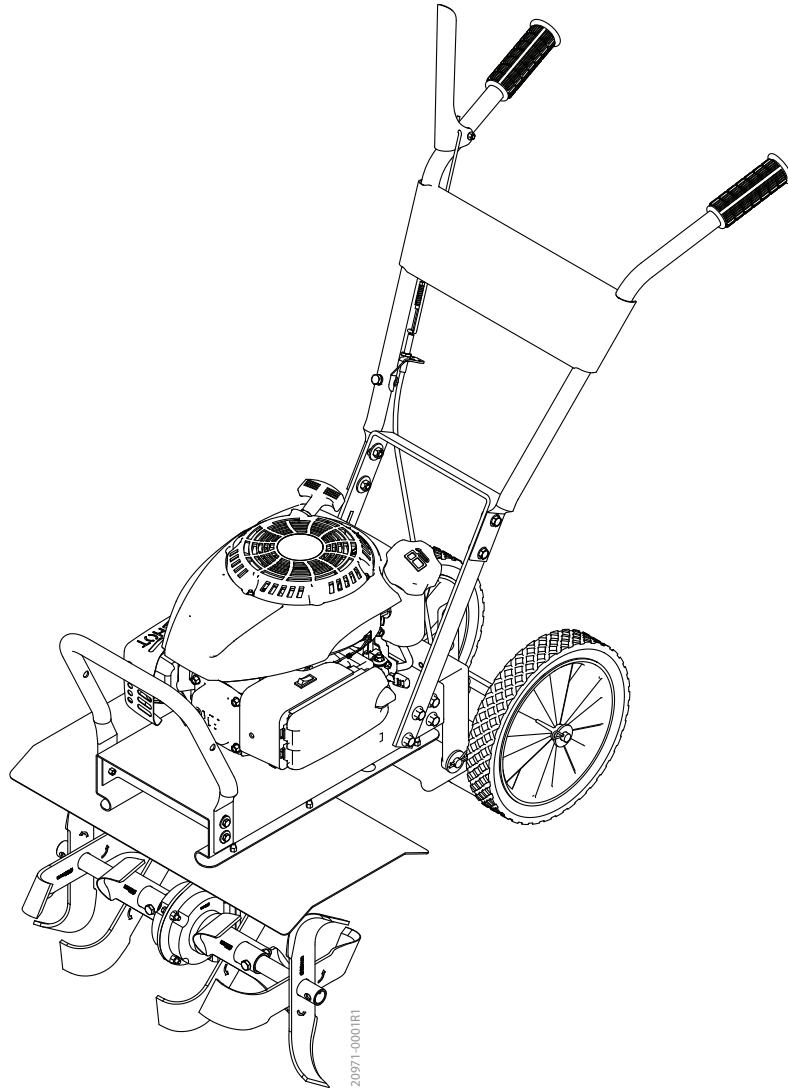


Operator's Manual
Original Operating Instructions

20908 Badger Front Tine Tiller

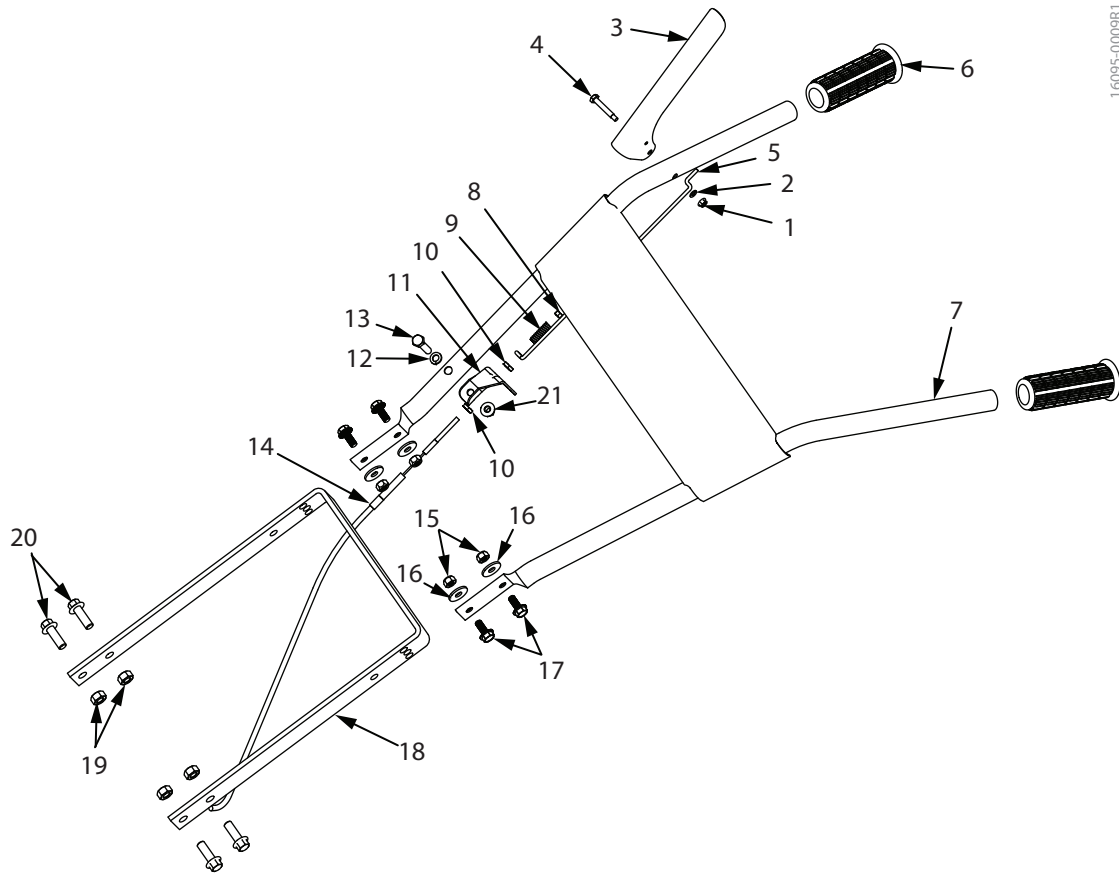


Model 20908
KOHLER
6.75 ft-lbs Gross Torque



P/N: 20980
ECN: 10594
REV1: 10/30/14
© 2014 Ardisam, Inc.
All Rights Reserved.

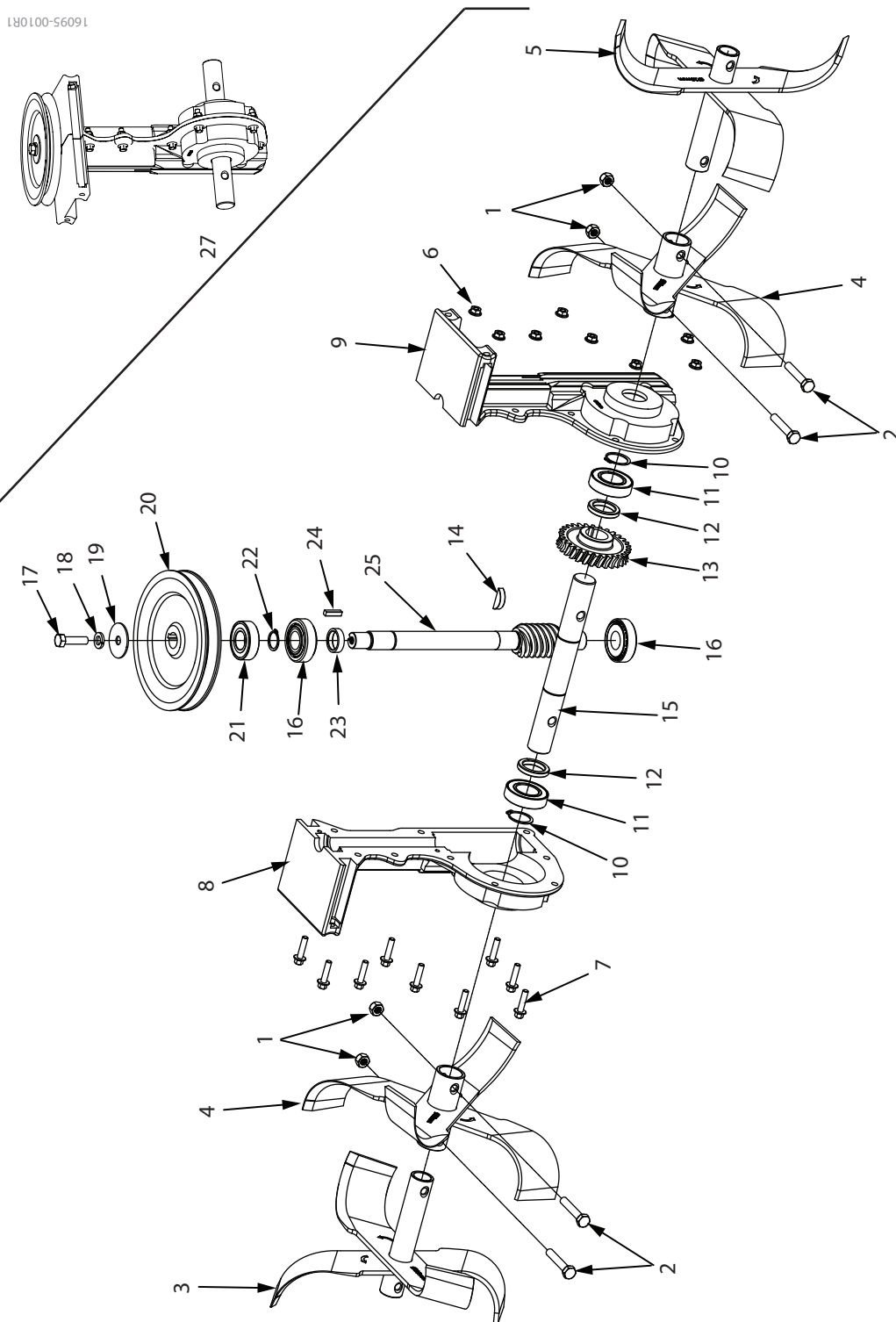
ILLUSTRATED PARTS BREAKDOWN HANDLEBAR ASSEMBLY



ITEM NO.	PART #	DESCRIPTION	QTY.
1	3248	NUT (M5 X 0.8 HFNYLK GR8.8 ZN)	1
2	3308	WASHER (FLAT M5 X 15 X 1.75 ZN)	1
3	53650	LEVER, CONTROL	1
4	13159	BOLT (M5 X .75 X 7 HH SHLDR 6 X 32MM)	1
5	20841	LINK (317 MM LONG 20 MM TIP)	1
6	13833	GRIP, HANDLE KNOB, TEXTURE (1 IN ID)	2
7	13811	WELDMENT HANDLEBAR FT PRO SERIES	1
8	IN58	NUT (5MM X 0.8 X 5 HNYLK GR8 ZN F-T)	1
9	53620	SPRING, COMPRESSION (FORWARD ARM)	1
10	4620	NUT (M8 X 1.25 HJAM GR8.8 ZN)	2

ITEM NO.	PART #	DESCRIPTION	QTY.
11	53629	BRACKET, CABLE MOUNT	1
12	W1200114	WASHER (M8 X 1.9 SPRLK BLK OX HIGH COLLAR)	1
13	12770	BOLT (M8 X 1.25 X 40MM HH ZN)	1
14	20827	CABLE (M5 END M8 MOUNT 905.5 LONG)	1
15	400023	NUT (M8 NYLOCK)	4
16	3245	WASHER (M8 8.4MM X 24MM X 2.2MM ZN)	4
17	13906	BOLT (M8 X 1.25 X 20 SFH GR8.8 ZN)	4
18	3358	MOUNT, HANDLEBAR, FRONT TINE	1
19	W1265V0903	NUT (M10 X 1.5 HNYLK GR 8.8 ZN)	4
20	20819	BOLT (M10 X 1.5 X 30 HHSF GR8.8 ZN)	4
21	13508	NUT (M8 -1.25 BAR)	1

ILLUSTRATED PARTS BREAKDOWN TINES AND TRANSMISSION ASSEMBLY

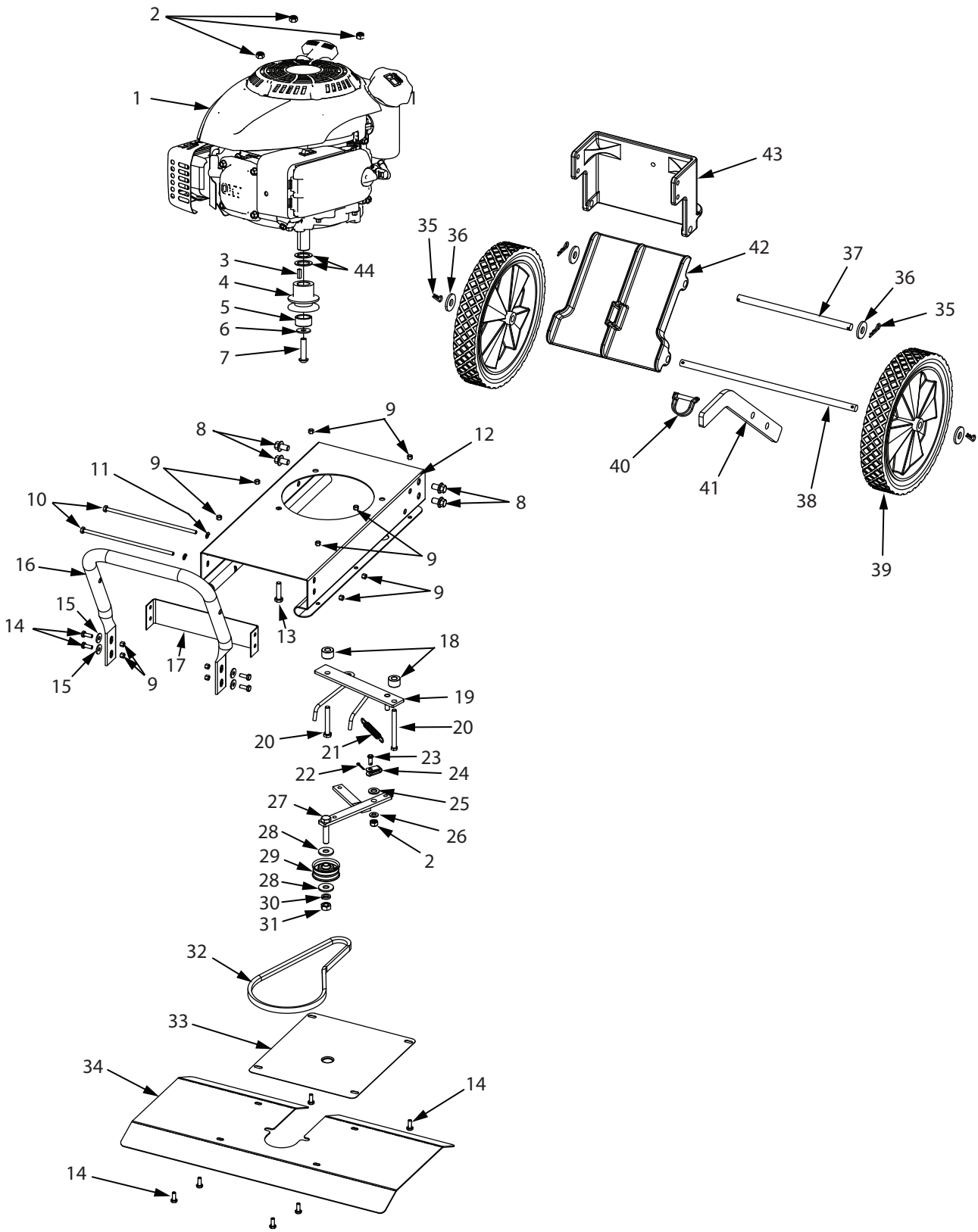


ILLUSTRATED PARTS BREAKDOWN TINES AND TRANSMISSION ASSEMBLY

ITEM NO.	PART #	DESCRIPTION	QTY.
1	400023	NUT (M8 NYLOCK)	4
2	3316	BOLT (M8 X 1.25 X 45 HHCS GR 8.8 ZN)	4
3	13905	TINE SET, OUTSIDE RIGHT, (FT 25MM SHAFT)	1
4	13903	TINE SET, WELDMENT, INSIDE (25MM SHAFT)	2
5	13904	TINE SET, OUTSIDE LEFT (FT 25MM SHAFT)	1
6	13599	NUT (M6 X 1.0 HHFNLYK)	9
7	13600	BOLT (M6 X 1.0 X 25 HHF)	9
8	--	(ORDER PART NUMBER 13586 TRANSMISSION)	1
9	--	(ORDER PART NUMBER 13586 TRANSMISSION)	1
10	1810	SNAP RING (1 INCH PHOSPHATE EXTERNAL)	2
11	13902	BEARING, BALL (25MM ID 6005RS)	2
12	14421	SPACER (25MM X 35MM X 5.43MM THICK)	2
13	13615	GEAR, BRONZE (25MM ID 6MM KEY 30 TEETH FT)	1
14	17990	KEY (6MMX10MMX25MM HALFMOON)	1
15	13612	TINE SHAFT 25MM OD 6MM KEY FT	1
16	3220	BEARING (20X47X15.2 TAPERED ROLLING 30204)	2
17	17991	BOLT (M8 X 1.25 X 30 HHCS ZN)	1
18	1916965	WASHER, LOCK SPRING (0.375")	1
19	803	WASHER (5/16 ID X 1-1/2" OD FLAT 16 GA)	1
20	13619	PULLEY, TRANSMISSION, SINGLE GROVE	1
21	3309	BEARING (20MM ID X 42MM OD 6004 2RS)	1
22	8924	RING, RETAINING (EXTERNAL 3/4 INCH)	1
23	13590	SPACER, ROUND STEEL (26 X 20.22 X 6.8MM)	1
24	17989	KEY (5MM X 5MM X 20MM)	1
25	13610	DRIVESHAFT WORM (20MM OD VECTOR)	1
*26	20828	BOX TINES DRAG STAKE METRIC FRONT TINE	1
27	13586	TRANSMISSION 7.5:1 WORM BRASS 25MM SHAFT	1
<p>* ITEM NOT ILLUSTRATED; INCLUDES: (2) 13903 INSIDE TINE SET, (1) 13904 LEFT TINE SET, (1) 13905 RIGHT TINE SET, (1) 3157 DRAG STAKE, AND (1) 3331 WHEEL SHAFT IN A BOX.</p>			

ILLUSTRATED PARTS BREAKDOWN - MOTOR MOUNT AND HOOD PARTS

16095-0011R1



ILLUSTRATED PARTS BREAKDOWN - MOTOR MOUNT AND HOOD PARTS

ITEM NO.	PART #	DESCRIPTION	QTY.
1	20889	ENGINE & PULLEY GROUP METRIC KOHLER FT	1
2	400023	NUT M8 NYLOCK	4
3	20894	SPACER, ENGINE 23x30x14.317MM	1
4	3364	KEY, SQUARE 3/16" X 5/8"	1
5	20907	PULLEY SINGLE GROOVE ENGINE 4L OFFSET	1
6	3245	WASHER M8 8.4MM X 24MM X 2.2MM ZN	1
7	21035	BOLT 3/8-24 X 1.5 W/PATCH SHBHCS	1
8	20820	BOLT M10 X 1.5 X 16 HHSF GR8.8 ZN	4
9	4650	NUT M6 X 1.0 HNYLK GR8.8 YL ZN	12
10	20824	BOLT M6 X 1.0 X 190 HHCS GR8.8 ZN	2
11	18130	WASHER M6 X 1.5 SPRLCK ZN	2
12	3130A	FRAME ENGINE MOUNT FT FORMED	1
13	20816	BOLT M8 X 1.25 X 35 HHCS GR8.8 ZN	1
14	17986	BOLT M6 X 1.0 X 16 HHCS GR8 ZN	10
15	20148	WASHER M6 X 18 X 1.6 FLAT ZN	4
16	3335	ARM LOWER HANDLEBAR FT BUMPER	1
17	3371	COVER 4 HOLE FT	1
18	744	SPACER FORWARD ARM 10.5 X 22 X 14.5 MM	2
19	20834	BELT GUIDE AND MOUNT METRIC 3365 SERIES	1
20	20144	BOLT M8 X 1.25 X 60 HHCS GR 8.8 ZN F-T	2

ITEM NO.	PART #	DESCRIPTION	QTY.
21	1407	SPRING, FORWARD ARM	1
22	53398	PIN, COTTER 2MM X 16MM	1
23	1416	PIN CLEVIS 6.3 X 16.8 MM	1
24	53596B	YOKE ZINC PLATED CLEVIS	1
25	2431	WASHER M10 X 20 X 2 THK GR 8.8 ZN	1
26	400024	WASHER M8 8.4 X 16 X 1.6 THK ZN	1
27	20835	ARM FORWARD METRIC 3365 SERIES	1
28	W1200126	WASHER M10 X 28 X 2.8 ZN	2
29	1413	PULLEY, REVERSE IDLER	1
30	13559	WASHER M10 SPRING LOCK	1
31	W1265V0903	NUT M10 X 1.5 HNYLK GR 8.8 ZN	1
32	14978	BELT V 4L 675 MM	1
33	3275	SHIELD FRONT TINE FRAME	1
34	3128	TINE SHIELD W/O BRACKETS FORMED FT	1
35	20173	PIN COTTER HAIRPIN 2.5MM DIA. X 35MM	4
36	50175	WASHER 12MM TILLER	4
37	3332	SHAFT TAIL PIVOT	1
38	3331	SHAFT, WHEEL 1/2"	1
39	1714252	WHEEL & TIRE ASSY 11.0 X 1.75	2
40	18039	PIN LOCK 8MM X 40MM PIPE SAFETY PIN	1
41	3157	DRAG STAKE FRONT TINE	1
42	3330	TAIL MOUNT, LOWER FOR FT	1
43	20799	TAIL MOUNT UPPER FRONT TINE METRIC	1
44	21246	SPACER 22.5 X 31.9 X 1.5 MM	2