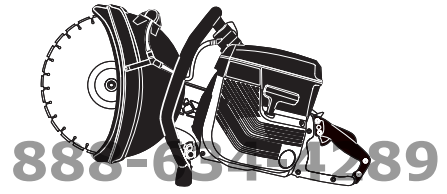


PARTNER

ConstructionParts.com



888-634-4289

IPL, K 650 Active III, K 700 Active III, 2002-01, 106 27 55-62

ConstructionParts.com

*K 650 Active III
K 700 Active III*

Reservdelar

Spare parts

Ersatzteile

Pieces de rechange

Piezas de repuesto

Ricambi

*Peças
sobresselente*

ConstructionParts.com

888-634-4289

106 27 55-62

PARTNER®

| No. | Pos. | Description | No. | Pos. | Description |
|--------------|------|------------------------|--------------|------|------------------|
| 501 22 02-01 | M | Plug | 503 55 22-01 | K | Plug |
| 501 22 03-01 | M | Plug | 503 57 86-01 | M | Ball |
| 501 22 04-01 | M | Ball | 503 57 87-01 | M | Screw |
| 501 22 05-01 | M | Spring | 503 57 89-01 | L | Holder |
| 501 22 08-01 | M | Gasket | 503 65 27-01 | M | Screw |
| 501 22 09-01 | M | Diaphragm | 503 65 30-01 | M | Washer |
| 501 22 12-01 | M | Fuel pump diaphragm | 503 65 31-01 | M | Washer |
| 501 22 13-01 | M | Gasket, pump side | 503 71 53-01 | K | Valve decompr. |
| 501 22 14-01 | M | Cap | 503 74 43-01 | B | Spring |
| 501 22 15-01 | M | Screw | 506 74 44-04 | B | Clutch |
| 501 22 20-01 | M | Lever | 503 77 98-01 | M | Valve |
| 501 22 21-01 | M | Shaft | 503 84 50-01 | G | Cable |
| 501 22 24-01 | M | Filter | 503 89 16-01 | D | Spring |
| 501 22 25-01 | M | Spring | 503 90 17-01 | G | Ignition module |
| 501 42 71-01 | M | Bushing | 504 35 72-01 | L | Fuel filter |
| 501 48 50-01 | M | Gasket | 505 26 76-73 | D | Spacer |
| 501 48 52-01 | M | Screw | 505 26 94-27 | D | Throttle rod |
| 501 48 54-02 | G | Spark plug conn. kit | 505 27 75-16 | G | Insulating cap |
| 501 49 48-02 | M | Diaphragm/gasket set | 505 27 90-60 | H | Insul. flange |
| 501 63 48-01 | G | Spring | 505 27 91-03 | D | Throttle control |
| 501 67 32-03 | G | Pawl | 505 27 91-04 | D | Throttle catch |
| 501 69 17-02 | J | Comb. tool | 505 27 95-11 | D | Absorber |
| 501 76 83-04 | L | Hose | 505 27 95-13 | C | Absorber |
| 501 76 83-26 | L | Hose, 245 mm | 505 29 56-14 | D | Spring |
| 501 81 99-01 | G | Screw M5x14 | 505 30 23-33 | L | Needle bearing |
| 501 82 18-01 | M | Retaining ring | 505 30 24-15 | B | Needle bearing |
| 503 12 79-02 | F | Starter handle | 505 31 61-14 | M | Shutter |
| 503 15 59-02 | D | Bracket right | 505 31 64-95 | M | Sealing ring |
| 503 20 00-01 | D | Screw M6SF 5x20 | 505 31 65-50 | M | Needle |
| 503 20 00-03 | E | Screw M6SF 5x12 | 505 31 66-05 | M | Spring |
| 503 20 00-04 | C | Screw M6SF 5x16 | 505 31 66-19 | M | Throttle shaft |
| 503 20 00-05 | K | Screw M6SF 5x25 | 505 34 11-62 | K | Piston cpl 50 mm |
| 503 20 00-06 | C | Screw M6SF 5x35 | 505 35 01-50 | K | Silencer |
| 503 20 00-07 | L | Screw M6SF 5x40 | 506 02 87-01 | A | Washer |
| 503 20 00-08 | CDL | Screw M6SF 5x30 | 506 02 88-30 | A | Bushing |
| 503 20 00-09 | K | Screw M6SF 5x45 | 506 03 88-01 | A | Warning label |
| 503 20 00-10 | D | Screw M6SF 5x55 | 506 03 95-20 | A | Bushing |
| 503 20 00-45 | A | Screw | 506 03 95-22 | A | Bushing |
| 503 20 02-12 | A | Screw | 506 03 95-25 | A | Bushing |
| 503 20 02-90 | E | Screw | 506 07 05-06 | A | Belt |
| 503 20 21-75 | H | Screw | 506 07 08-01 | A | Spacer |
| 503 20 25-20 | G | Screw | 506 07 11-13 | L | Hose |
| 503 20 30-11 | A | Screw | 506 09 56-02 | N | Clamp |
| 503 20 34-19 | BF | Screw | 506 09 64-01 | H | Gasket |
| 503 20 34-25 | F | Screw | 506 09 90-01 | K | Piston cpl 50 mm |
| 503 20 34-42 | E | Screw | 506 09 92-12 | K | Cylinder cpl |
| 503 21 06-19 | N | Screw | 506 13 95-11 | A | Washer |
| 503 21 06-25 | C | Screw | 506 13 96-01 | A | Screw |
| 503 21 06-43 | C | Screw | 506 14 32-01 | A | Catch |
| 503 21 07-22 | F | Screw | 506 21 27-02 | K | Gasket |
| 503 21 28-10 | DF | Screw | 506 21 77-14 | E | Cylinder cover |
| 503 22 04-01 | G | Lock nut | 506 21 78-12 | E | Filter holder |
| 503 22 65-04 | CD | Nut | 506 21 79-01 | E | Filter cover |
| 503 22 66-01 | A | Nut | 506 21 86-02 | G | Flywheel compl. |
| 503 23 00-11 | D | Washer 5.3x12 | 506 21 89-02 | F | Starter housing |
| 503 23 00-42 | GH | Washer | 506 21 90-01 | F | Air conductor |
| 503 23 00-70 | B | Washer | 506 21 91-01 | L | Grommet |
| 503 23 01-04 | A | Washer 15x21 | 506 21 98-01 | E | Air jet |
| 503 23 51-08 | G | Spark plug RCJ7Y | 506 22 23-01 | E | Sealing |
| 503 25 00-01 | L | Ball bearing MFG SKF | 506 22 24-01 | E | Sealing |
| 503 25 21-01 | A | Ball bear. 6202 DDU/C3 | 506 22 42-01 | E | Air filter |
| 503 26 02-04 | L | Sealing ring | 506 22 44-01 | D | Guide |
| 503 26 30-21 | N | O-ring | 506 22 45-01 | D | Choke control |
| 503 28 90-17 | K | Piston ring | 506 22 48-01 | D | Holder |
| 503 40 13-02 | D | Bracket left | 506 22 63-01 | E | Filter |
| 503 40 17-01 | D | Contact spring | 506 23 54-02 | F | Decal |
| 503 40 27-01 | L | Spacer | 506 23 61-01 | L | Tank vent. |
| 503 41 18-02 | G | Cable | 506 23 83-01 | M | Choke flap |
| 503 49 10-01 | K | Gasket | 506 23 93-01 | E | Decal |
| 503 53 40-01 | M | Nipple | 506 24 37-13 | K | Cylinder cpl |

| No. | Pos. | Description | No. | Pos. | Description |
|--------------|------|--------------------|--------------|------|------------------|
| 506 25 14-01 | F | Washer | 506 34 05-12 | A | "Guard 12"" |
| 506 25 30-01 | F | Spring | 506 34 05-14 | A | "Guard 14"" |
| 506 25 59-32 | L | Tank cap | 506 34 07-01 | K | Deflector |
| 506 25 61-01 | L | Tank unit | 506 34 28-02 | L | Crankcase cpl |
| 506 25 81-02 | F | Starter pulley | 506 34 40-01 | L | Gasket |
| 506 25 82-01 | E | Guard | 506 34 46-01 | A | Handle |
| 506 25 89-01 | F | Return spring | 506 34 56-01 | L | Protector |
| 506 25 95-01 | F | Starter device | 506 34 66-01 | M | Governor |
| 506 26 28-01 | D | Spring | 506 34 78-01 | A | Pulley |
| 506 26 30-02 | D | Knob | 506 34 88-01 | J | Gasket set |
| 506 26 31-01 | F | Sleeve | 506 35 07-71 | A | Shaft |
| 506 26 35-13 | A | Housing | 506 35 08-01 | D | Handle right |
| 506 26 41-01 | L | Fuel filter | 506 35 09-11 | D | Handle left half |
| 506 26 41-11 | L | Fuel filter cpl | 506 35 10-01 | L | Crankshaft |
| 506 26 63-02 | A | Lining | 720 13 07-10 | L | Pin |
| 506 26 64-01 | A | Ratchet plate | 721 42 58-20 | D | Spring pin 4x24 |
| 506 26 65-01 | A | Flange | 725 52 95-55 | E | Screw MC6S 4x20 |
| 506 26 66-01 | A | Tensioner | 725 53 29-55 | A | Screw mc6s 5x16 |
| 506 26 68-01 | A | Spring | 725 53 31-55 | A | Screw mc6s 5x20 |
| 506 26 85-01 | H | Rubber seal | 735 58 18-00 | D | Lock washer 2.4 |
| 506 27 11-01 | L | Fuel filter weight | 735 88 06-00 | L | Woodruff key |
| 506 27 14-01 | M | Screw | 737 43 12-00 | K | Retaining ring |
| 506 27 56-01 | M | Choke shaft | 740 42 01-00 | H | O-ring |
| 506 27 57-01 | M | Felt seal | 740 43 13-00 | F | O-ring |
| 506 27 61-01 | M | Cup | 740 48 07-03 | B | O-ring |
| 506 27 84-12 | E | Decal | | | |
| 506 27 84-21 | E | Decal | | | |
| 506 27 84-23 | E | Decal | | | |
| 506 27 94-01 | A | Cover | | | |
| 506 28 39-30 | E | Sealing | | | |
| 506 28 40-02 | A | Label | | | |
| 506 28 40-04 | A | Label | | | |
| 506 28 40-12 | A | Label | | | |
| 506 28 40-14 | A | Label | | | |
| 506 28 44-01 | A | Bolt | | | |
| 506 28 73-01 | A | Nut | | | |
| 506 28 84-01 | A | Ratchet plate | | | |
| 506 29 21-01 | L | Gasket | | | |
| 506 29 56-01 | N | Nipple | | | |
| 506 29 57-01 | N | Nipple | | | |
| 506 29 65-01 | C | Absorber | | | |
| 506 29 88-01 | N | Screw | | | |
| 506 31 15-01 | M | Insert | | | |
| 506 31 61-01 | M | Cover | | | |
| 506 31 74-01 | L | Bushing | | | |
| 506 31 77-11 | N | Valve cpl | | | |
| 506 31 88-01 | H | Intake pipe | | | |
| 506 31 96-01 | C | Holder | | | |
| 506 32 02-01 | H | Gasket | | | |
| 506 32 03-01 | H | Gasket | | | |
| 506 32 12-01 | M | Repair kit | | | |
| 506 32 15-02 | HM | Carburetor cpl | | | |
| 506 32 48-01 | A | Sleeve | | | |
| 506 32 87-01 | N | Y-tube | | | |
| 506 32 89-03 | N | Wet cutting kit | | | |
| 506 32 91-01 | B | Cutting arm | | | |
| 506 33 15-01 | B | Drive wheel | | | |
| 506 33 16-01 | B | Washer | | | |
| 506 33 56-15 | F | Starter rope | | | |
| 506 33 57-01 | C | Handle | | | |
| 506 33 58-01 | C | Support | | | |
| 506 33 59-01 | C | Support | | | |
| 506 33 60-01 | C | Support | | | |
| 506 33 61-01 | C | Support | | | |
| 506 33 68-01 | C | Spring mount | | | |
| 506 33 69-01 | C | Spring mount | | | |
| 506 33 94-01 | L | Cap | | | |
| 506 33 97-01 | E | Decal | | | |
| 506 33 97-02 | E | Decal | | | |
| 506 33 98-01 | B | Decal | | | |

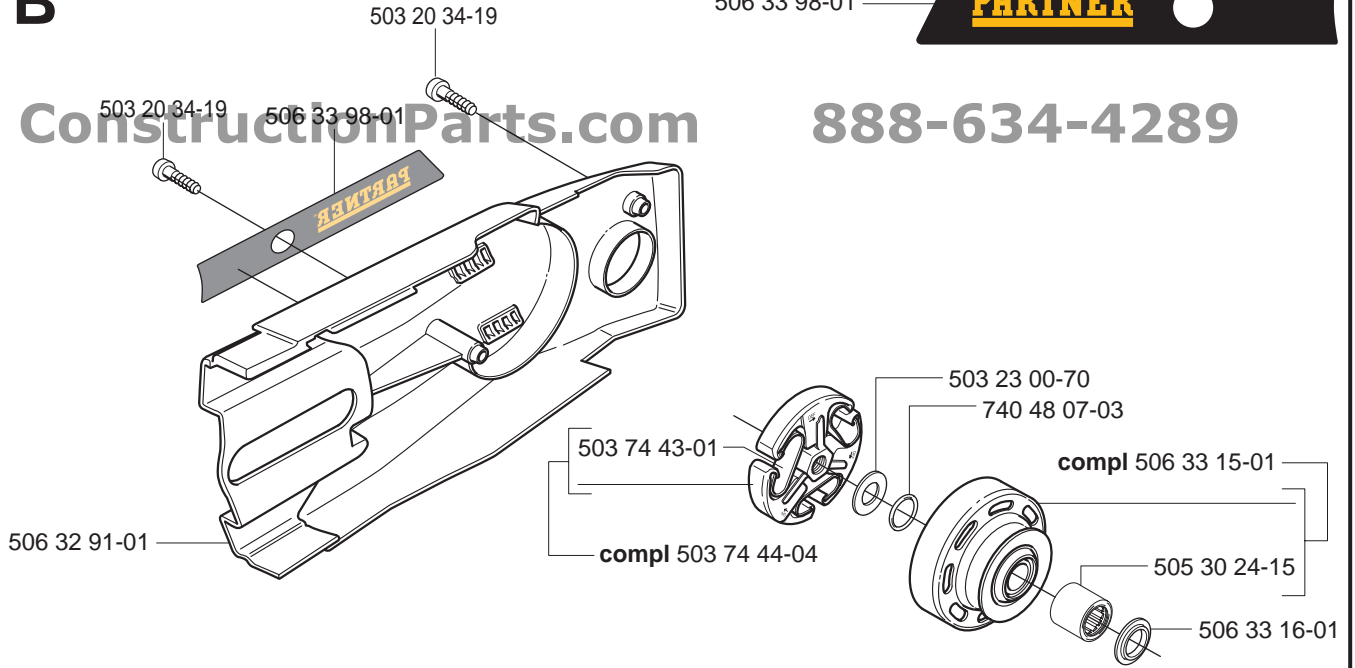
B

506 33 98-01



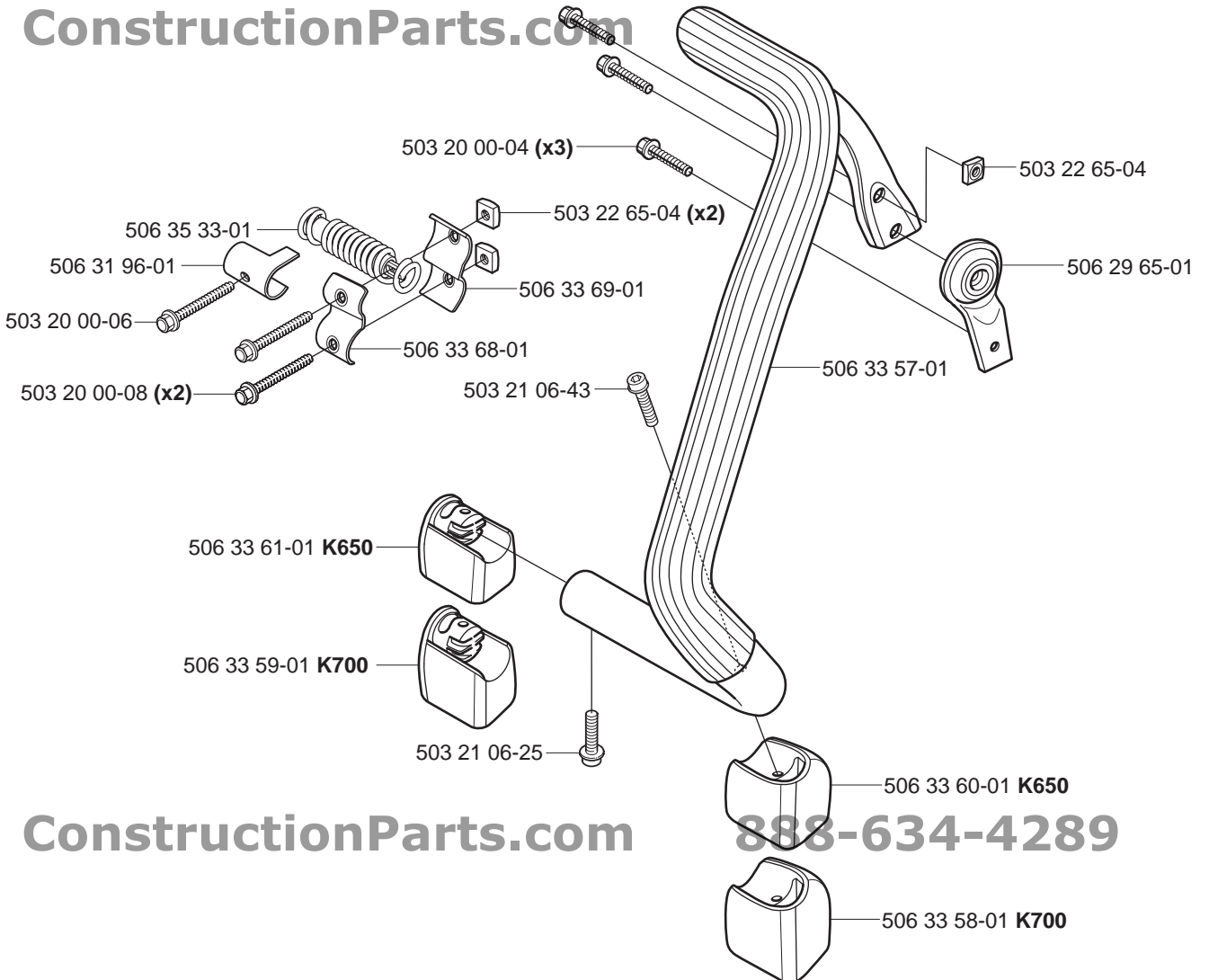
ConstructionParts.com

888-634-4289



C

ConstructionParts.com



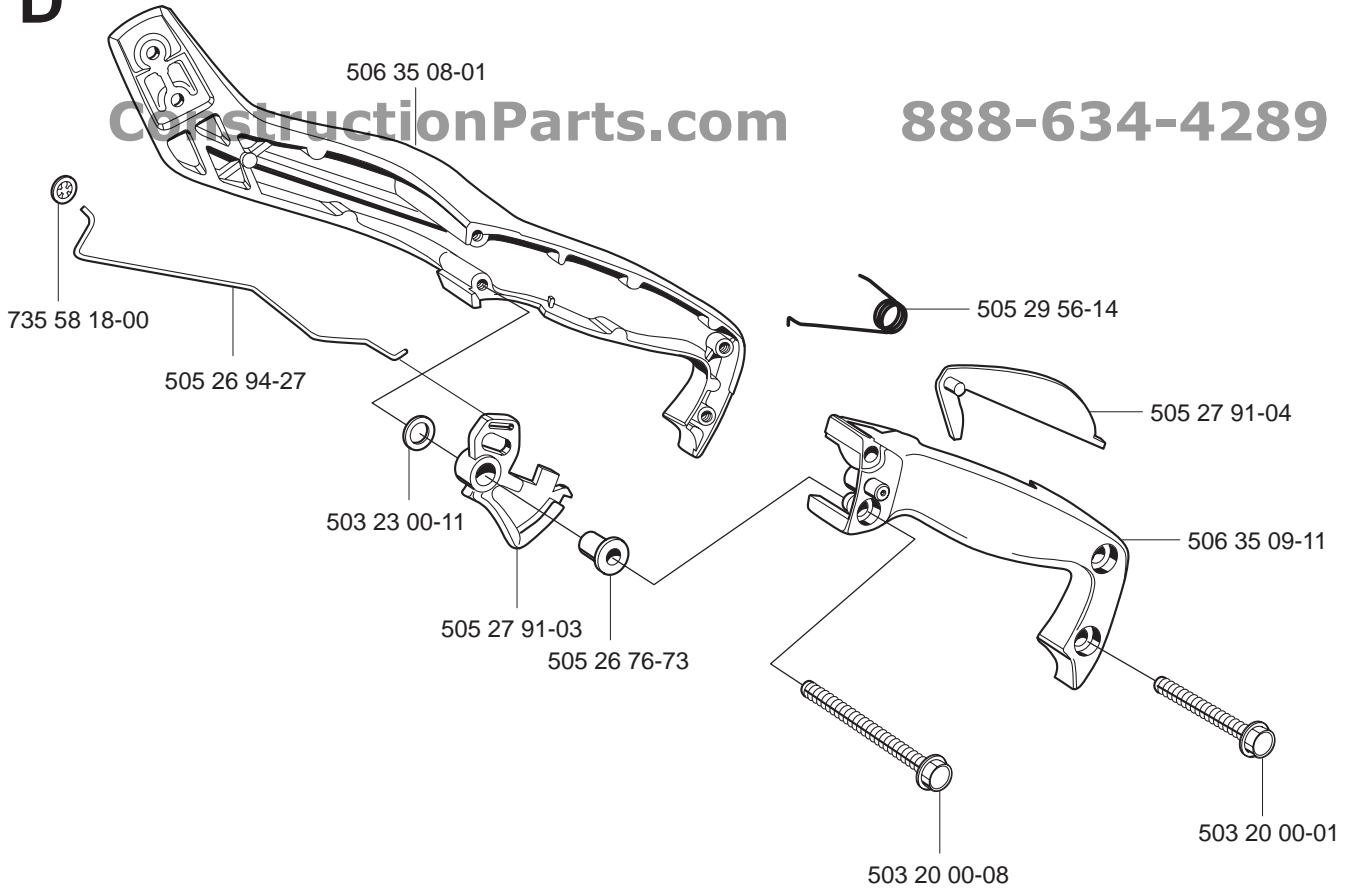
ConstructionParts.com

888-634-4289

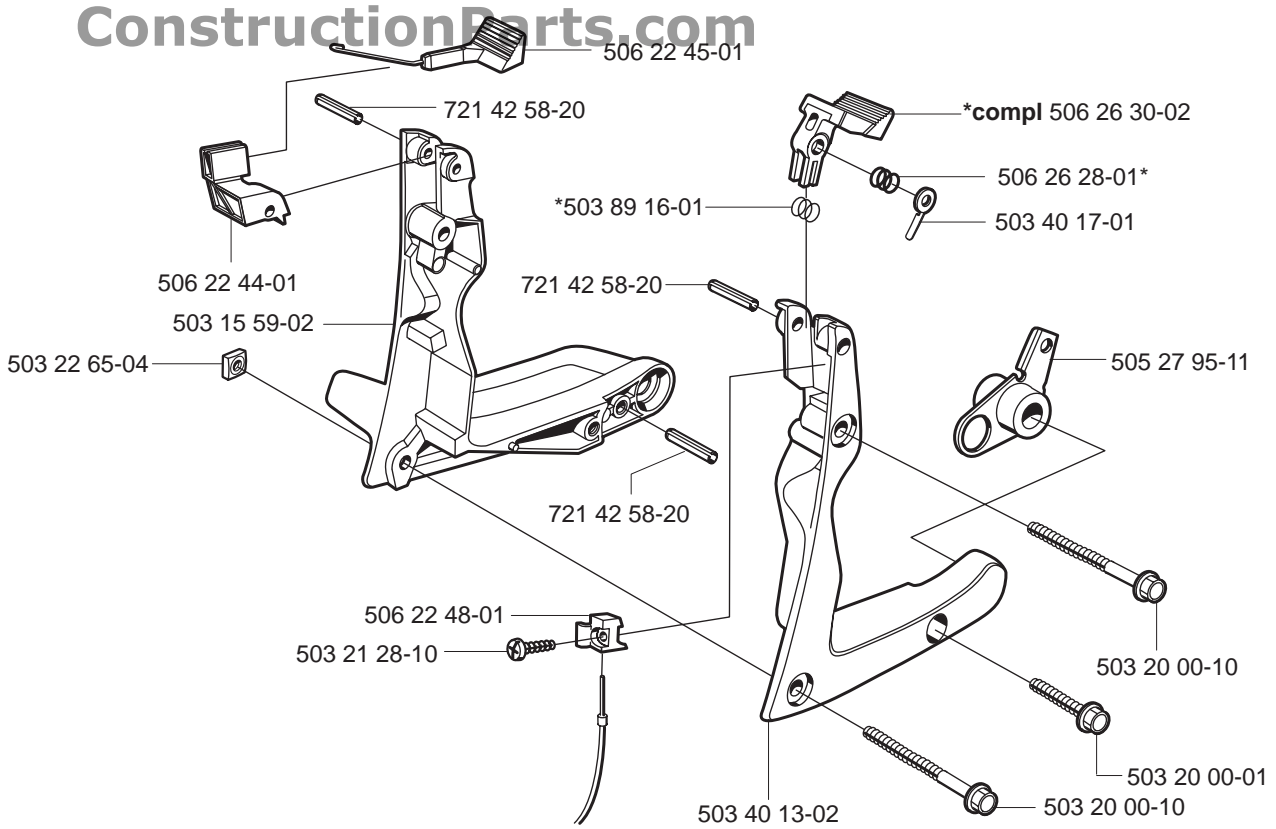
D

ConstructionParts.com

888-634-4289



ConstructionParts.com



ConstructionParts.com

888-634-4289

E

506 27 84-12
CE

506 27 84-23
EPA Canada

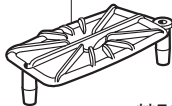
506 27 84-21
EPA USA



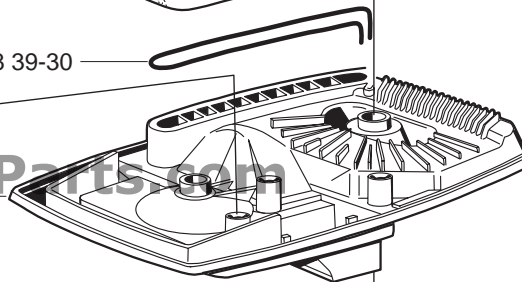
ConstructionParts.com

888-634-4289

**506 25 82-01



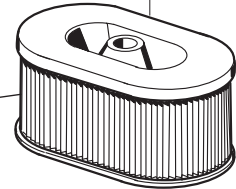
**506 28 39-30



503 20 02-90



506 22 42-01



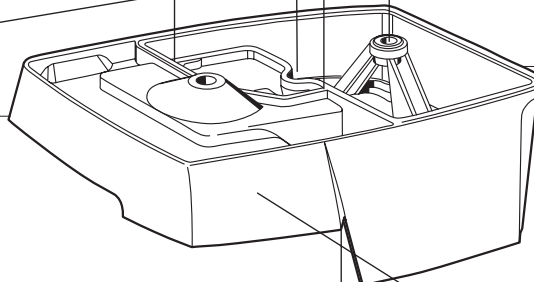
ConstructionParts.com

**compl 506 21 78-12

506 28 39-30*



*compl 506 21 77-14



506 23 93-01*



506 33 97-02



506 33 97-01

506 22 23-01



506 33 97-02
506 33 97-01



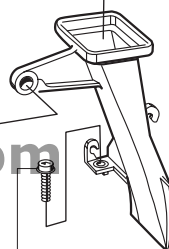
ConstructionParts.com

888-634-4289

506 22 24-01



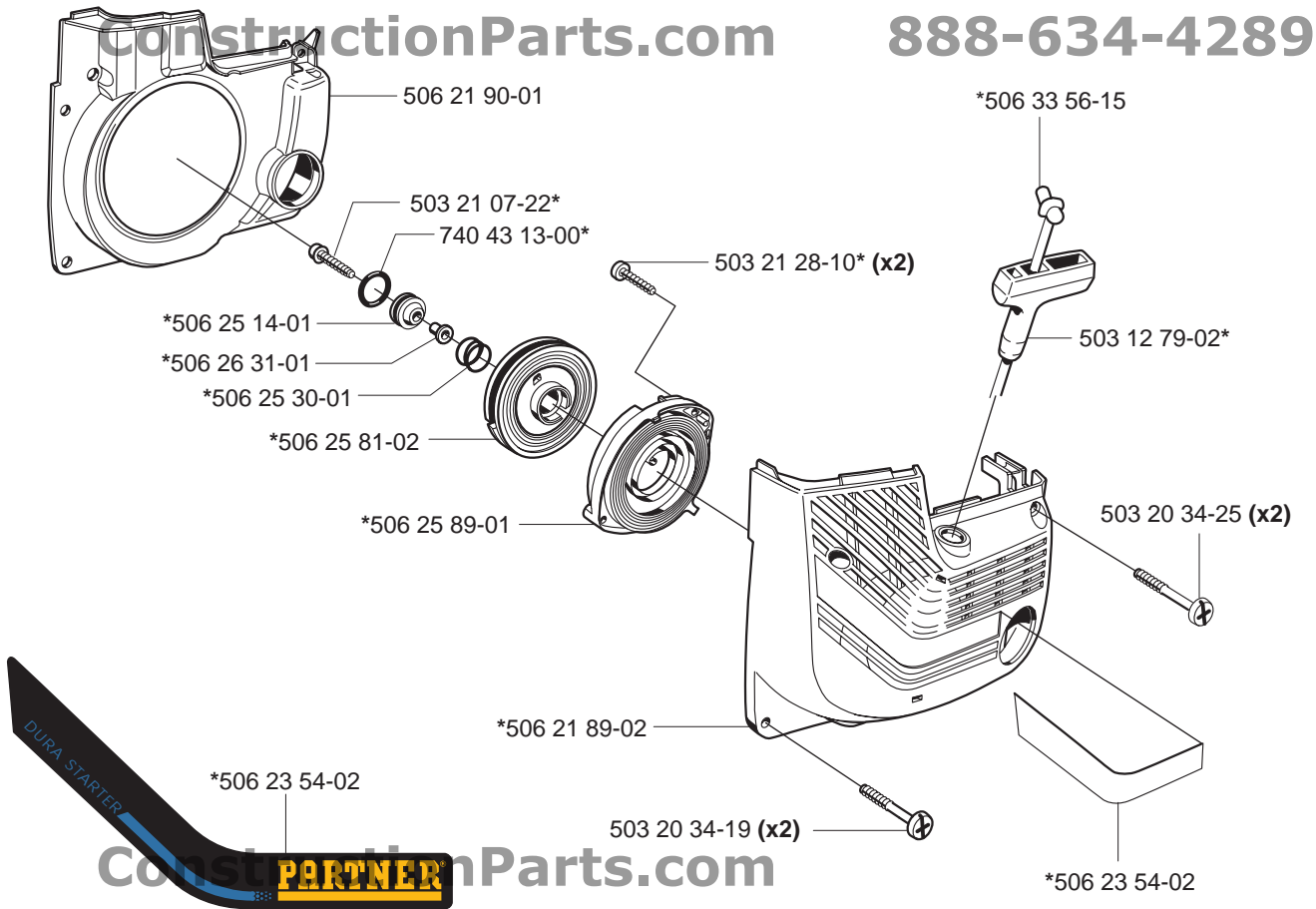
725 52 95-55



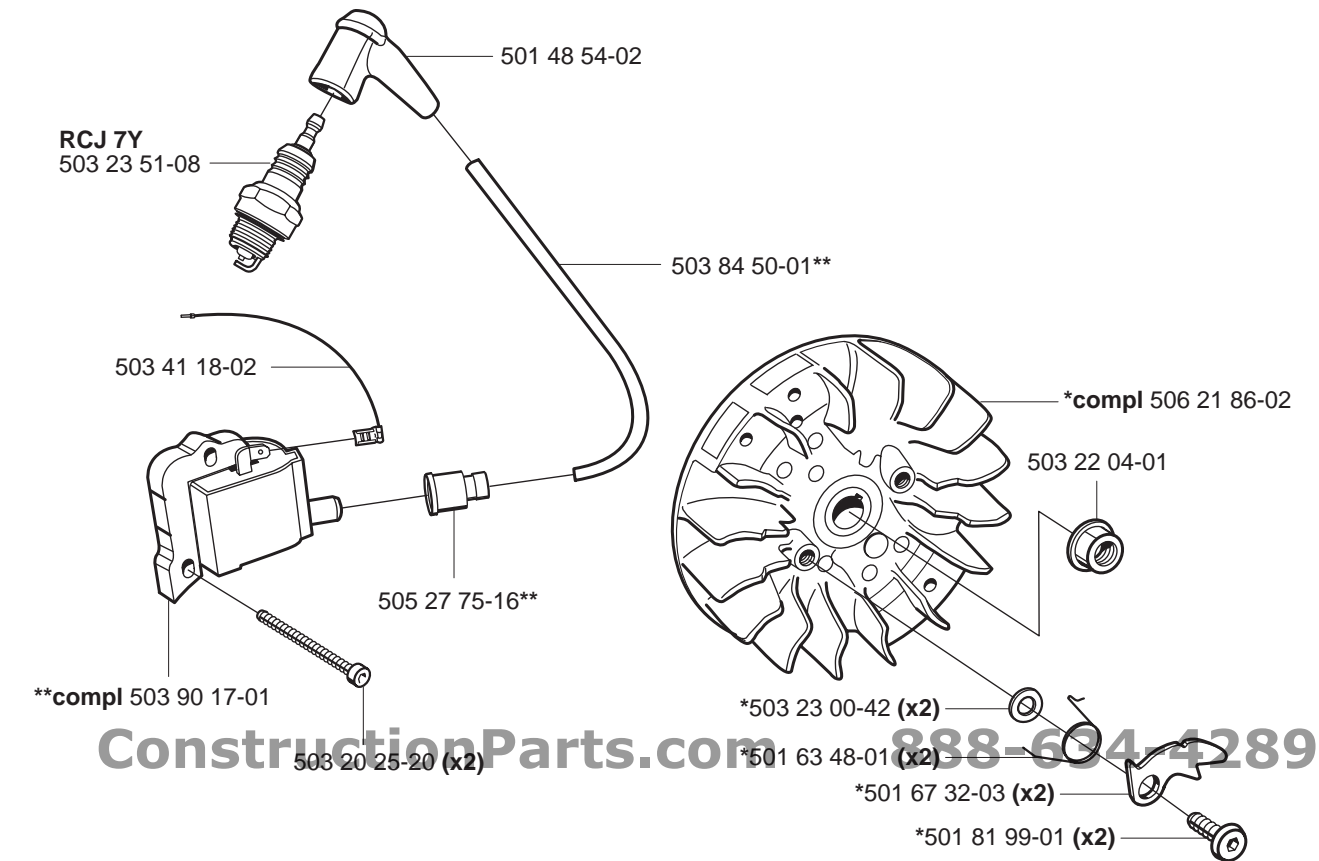
506 21 98-01

503 20 00-03

F *compl 506 25 95-01



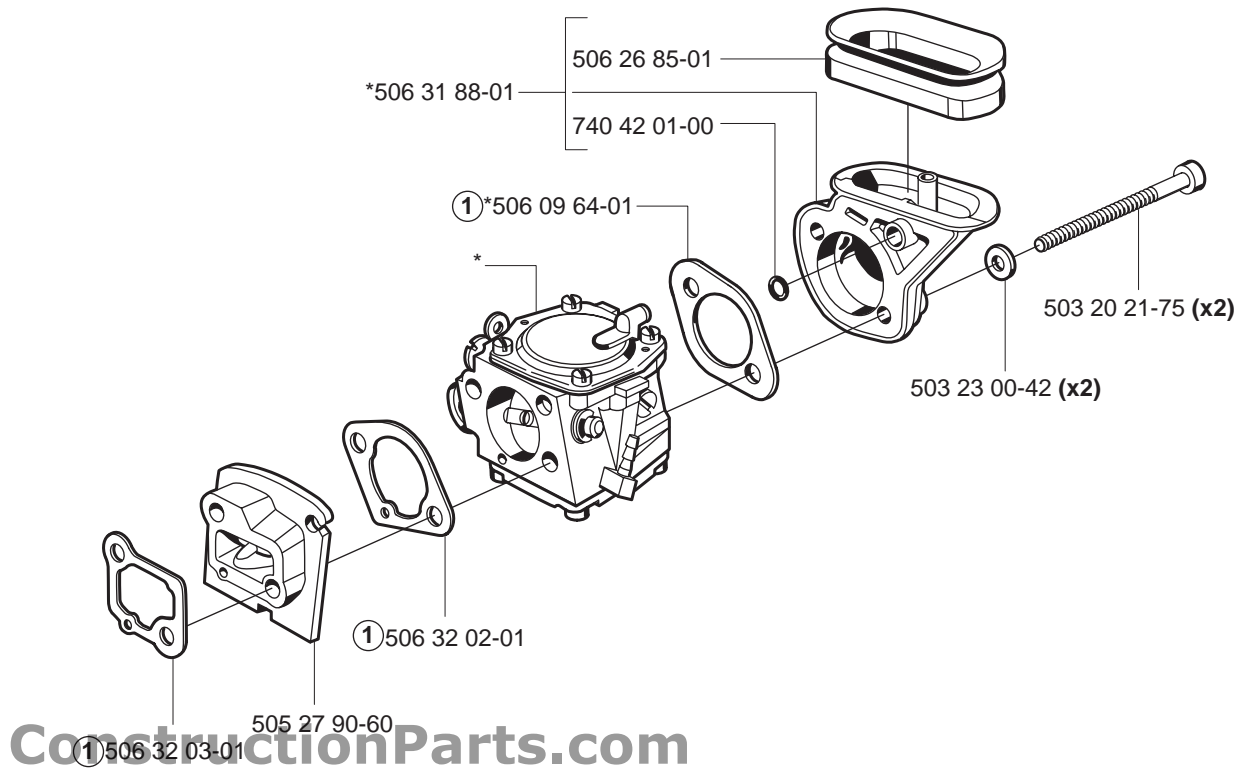
G



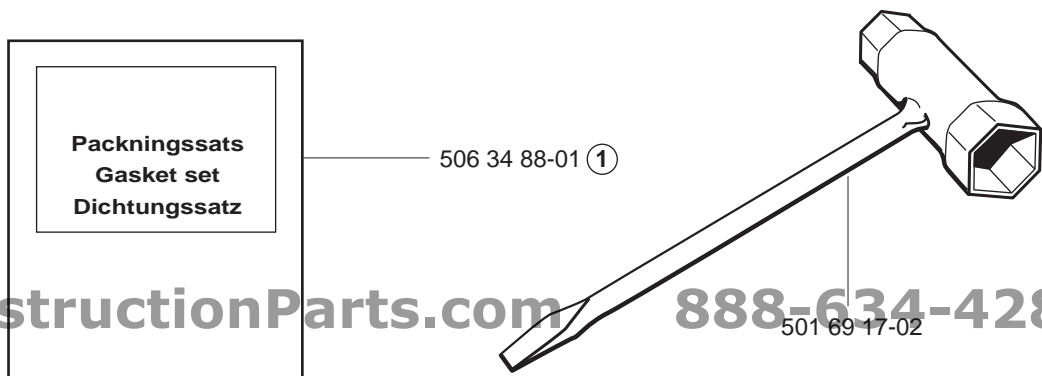
H Carburettor kit: *compl 506 32 15-02

ConstructionParts.com

888-634-4289



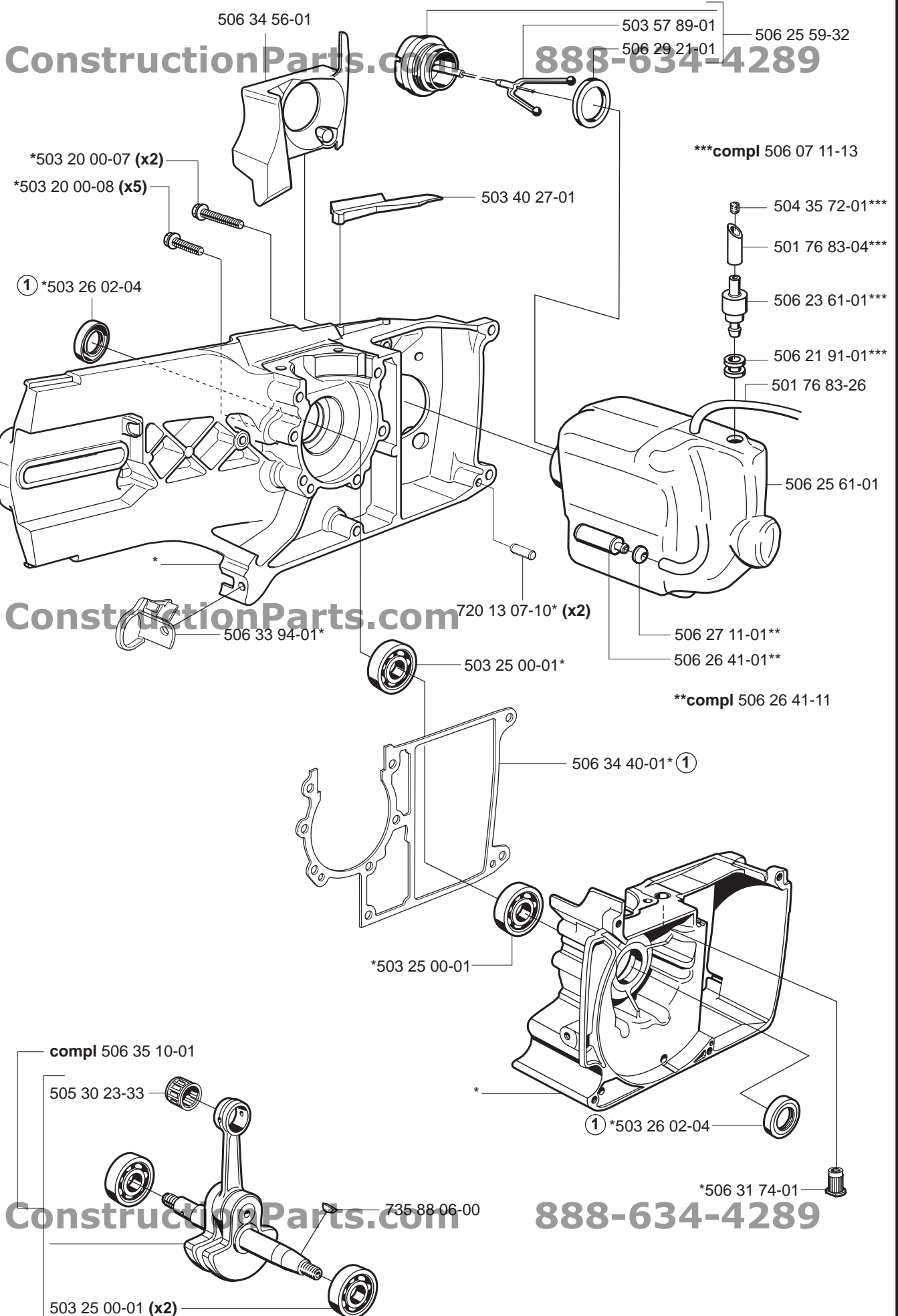
J



ConstructionParts.com

888-634-4289

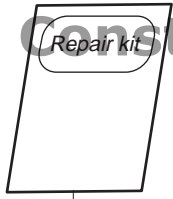
L crankcase: *compl 506 34 28-02



M

compl 506 32 15-02

Tillotson HS 175L



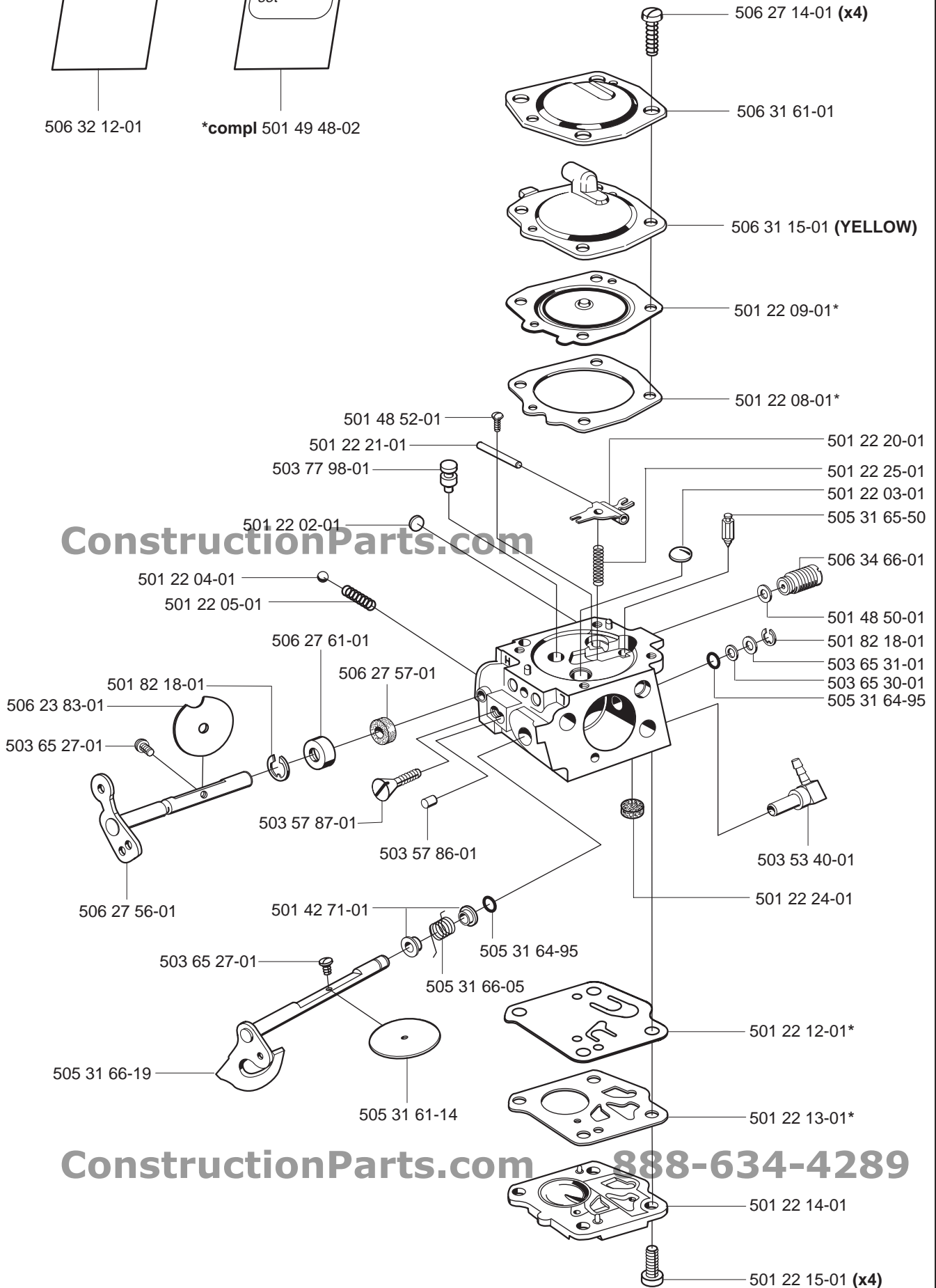
506 32 12-01



*compl 501 49 48-02

ConstructionParts.com

888-634-4289



ConstructionParts.com

ConstructionParts.com

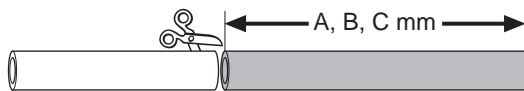
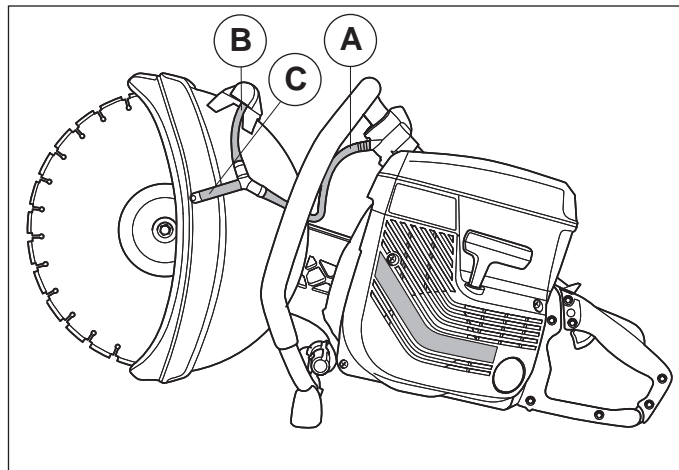
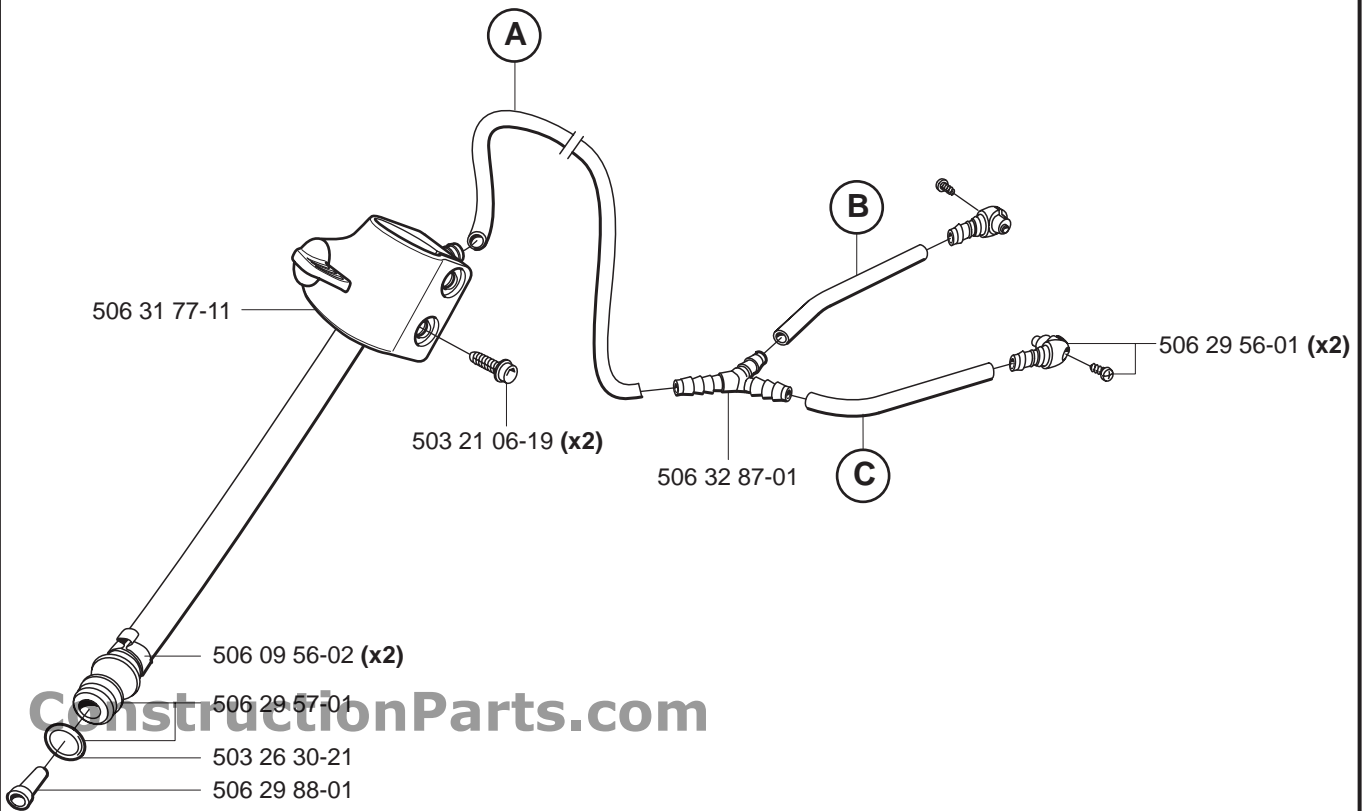
888-634-4289

N

Wet cutting kit 506 32 89-03

ConstructionParts.com

888-634-4289



ConstructionParts.com 888-634-4289

| Product | A (mm) | B (mm) | C (mm) |
|-----------|--------|--------|--------|
| K650A-III | 12" | 240 | 45 |
| K700A-III | 14" | 240 | 45 |