

REVISED STARTING
SERIAL # 110610001

PARTS LIST MANUAL

MODEL CPM10

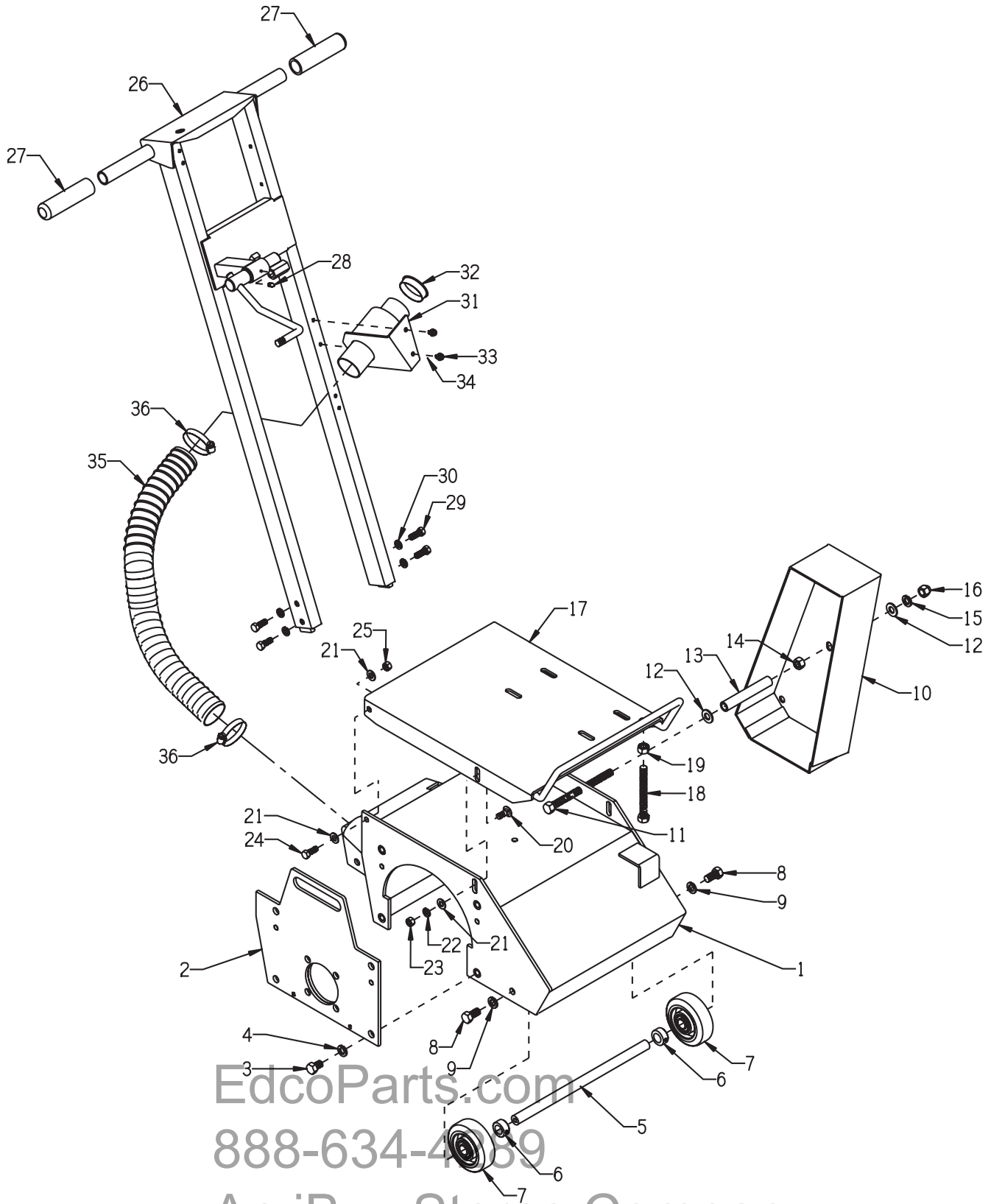


GASOLINE MODEL SHOWN

10" WALK BEHIND SCARIFIERS

SKU #	MODEL #	POWER OPTION
69100	CPM10-13H	HONDA GASOLINE ENGINE MODEL GX390
69200-230	CPM10-7.5B/230/3	BALDOR ELECTRIC MOTOR 7.5HP 60Hz 3PH 230V
69200-460	CPM10-7.5B/460/3	BALDOR ELECTRIC MOTOR 7.5HP 60Hz 3PH 460V

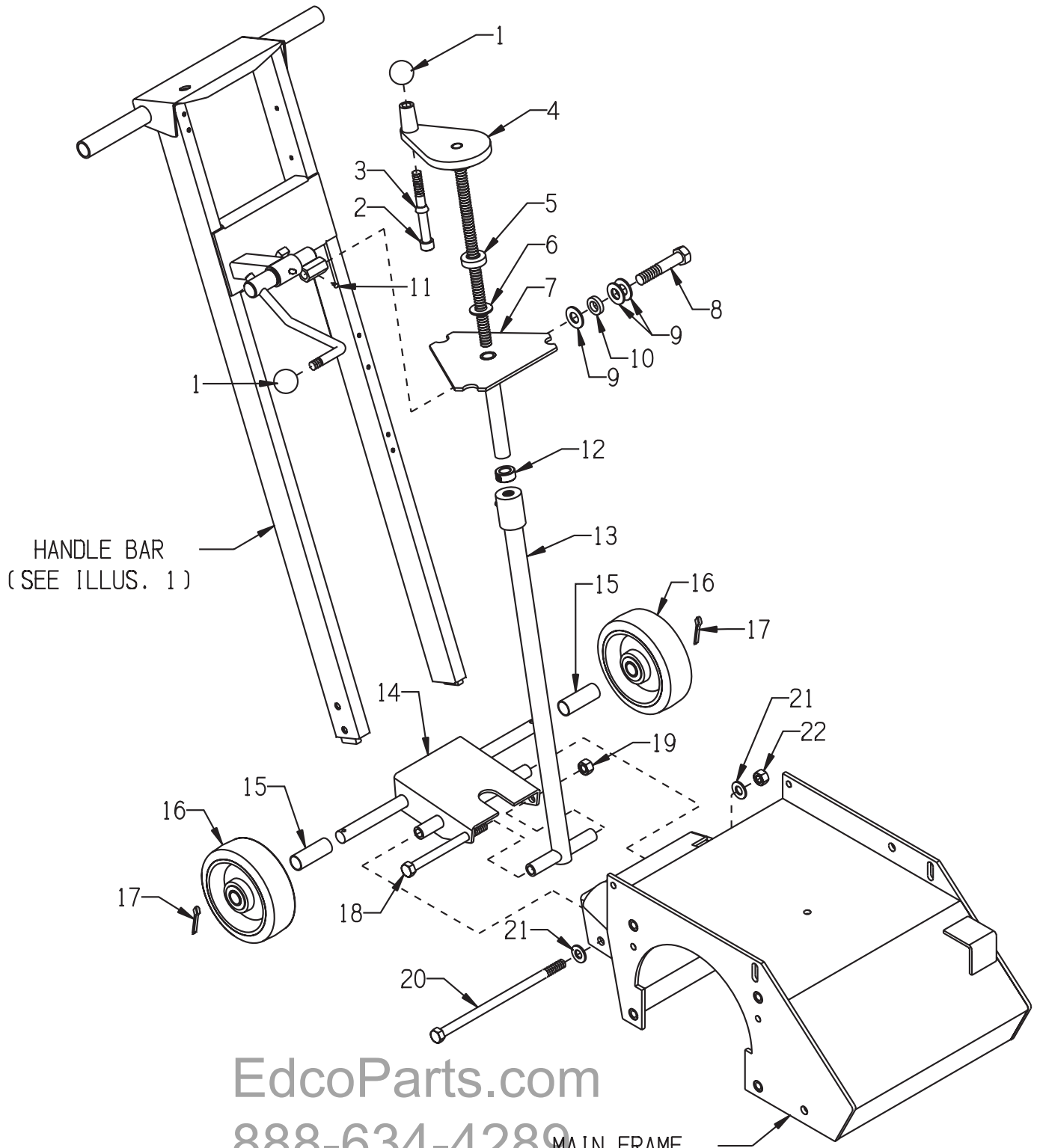
ILLUSTRATION 1 : MAIN GROUPING



EdcoParts.com
888-634-4039
An iBuy Stores Company

PARTS LISTING - ILLUSTRATION 1: MAIN GROUPING			
ITEM #	PART #	DESCRIPTION	QTY.
1	65201	MAIN FRAME, CPM-10	1
2	65202	PANEL, DRUM SIDE ACCESS, CPM-10	1
3	11614	SCREW, CAP 1/2-20 X 3/4	4
4	10045	WASHER, LOCK 1/2 ZINC	4
5	65207	AXLE SHAFT, FRONT, CPM-10, 3/4"DIA. x 13-15/16"L	1
6	10428	COLLAR, LOCKING 3/4"ID	2
7	52001	WHEEL 4 X 1-1/2 X 3/4"BRG.	2
8	10304	SCREW, CAP 1/2-20 X 1	2
9	10045	WASHER, LOCK 1/2 ZINC	2
10	65205	COVER, BELT, CPM-10	1
11	65240	BOLT, ALLTHREAD ROD 1/2-13 X 6-3/8	2
12	10312	WASHER, FLAT 1/2 SAE ZINC	4
13	65206	SPACER, BELT COVER, 1/2"ID x 3/4"OD x 4-3/4"L	2
14	10417	NUT 1/2-13	2
15	10045	WASHER, LOCK 1/2 ZINC	2
16	10865	NUT, ACORN 1/2-13	2
17	65203	MOUNT, ENGINE, CPM-10 (SHOWN)	1
	65204	MOUNT, MOTOR, CPM-10	1
18	10345	BOLT, TAP 1/2-13 X 4-1/2 (FULL THD)	1
19	10417	NUT 1/2-13	1
20	10802	BOLT, CARRIAGE 3/8-16 X 1 FULL THD.	2
21	10025	WASHER, FLAT 3/8 SAE ZINC	6
22	10811	WASHER, LOCK 3/8 ZINC	2
23	10404	NUT 3/8-16	2
24	10021	SCREW, CAP 3/8-24 X 1	2
25	10004	NUT, LOCK 3/8-24	2
26	65210	HANDLE BAR, CPM-10	1
27	10608	GRIP, HAND .937 X 4.5 BLK VYNAFOAM	2
28	10808	FITTING, GREASE 1/4-28 STRAIGHT	1
29	10055	SCREW, CAP 3/8-16 X 1	4
30	10811	WASHER, LOCK 3/8 ZINC	4
31	86347	BRACKET, MULTI-VAC PORT 2-3"	1
32	65021	CAP/PLUG 2" RED PLASTIC, FLANGED	1
33	10846	SCREW, CAP STSHW 1/4-20 X 1/2	2
34	10038	WASHER, LOCK 1/4 ZINC	2
35	65098	HOSE, FLEX 2"ID X 22"L	1
36	10766	CLAMP, HOSE, SAE #32, ADJ. TO 2-1/2	2

ILLUSTRATION 2: REAR FORK & CONTROL LINKAGE GROUPING



EdcoParts.com

888-634-4289

MAIN FRAME
(SEE ILLUS. 1)

An iBuy Stores Company

PARTS LISTING - ILLUSTRATION 2: REAR FORK & CONTROL LINKAGE GROUPING			
ITEM #	PART #	DESCRIPTION	QTY.
1	14023	KNOB, BALL 1-3/8 W/ 1/2-13THD, BLK.	2
2	10346	SCREW, SKT. HD. CAP 1/2-13 X 4-1/2	1
3	50550	SLEEVE, BRASS 1/2" TAPERED	1
4	51075	HANDWHEEL, LARGE W/ 5/8-8 X 13"ROD	1
5	85005	BEARING, THRUST BALL 5/8"ID X 1-7/16"OD X 7/16"THK	1
6	10073	WASHER, FLAT 5/8 SAE ZINC	1
7	65214	LINKAGE SUPPORT, HANDWHEEL, CPM-10	1
8	10359	SCREW, CAP 5/8-11 X 3-1/4	1
9	10073	WASHER, FLAT 5/8 SAE ZINC	3
10	79035	BUSHING, RUB. 1-1/16"OD X 5/8"ID X 1/4"THK	1
11	10127	SCREW, DRIVE 1/8 X 1/4"L	1
12	10096	COLLAR, LOCKING 5/8"ID	1
13	65242	LINKAGE, LOWER, CPM-10	1
14	65208	FORK, CPM-10	1
15	65209	SPACER 2-1/2"L , REAR WHEEL, CPM-10	2
16	50030	WHEEL 6 X 2 X 3/4"BRG.,ALUM./RUBBER	2
17	10306	PIN, COTTER 3/16 X 1-1/2	2
18	10329	SCREW, CAP 1/2-20 X 6	1
19	10205	NUT, LOCK 1/2-20	1
20	65239	SCREW, CAP 1/2-13 X 10	1
21	10312	WASHER, FLAT 1/2 SAE ZINC	2
22	10407	NUT, LOCK 1/2-13	2

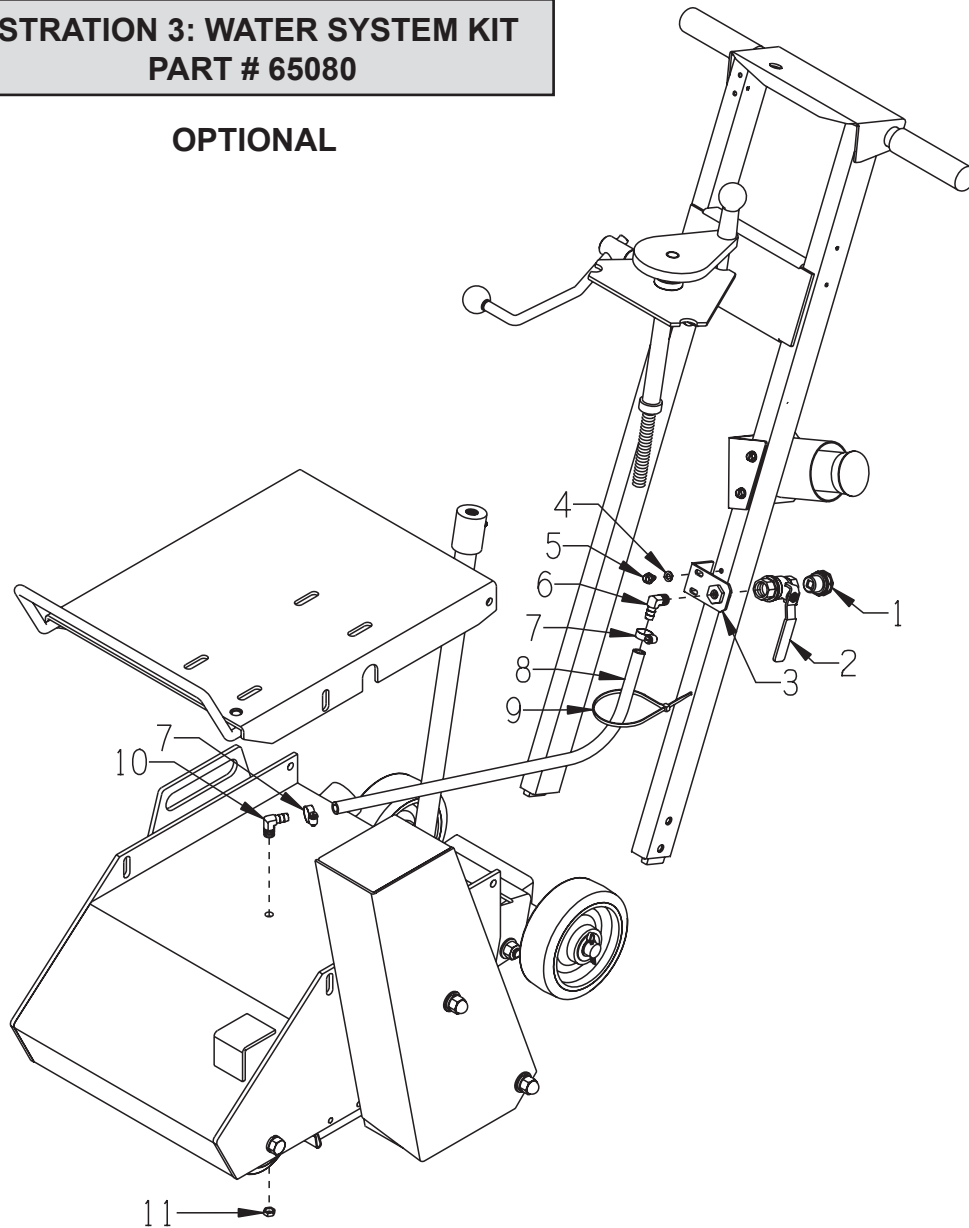
EdcoParts.com

888-634-4289

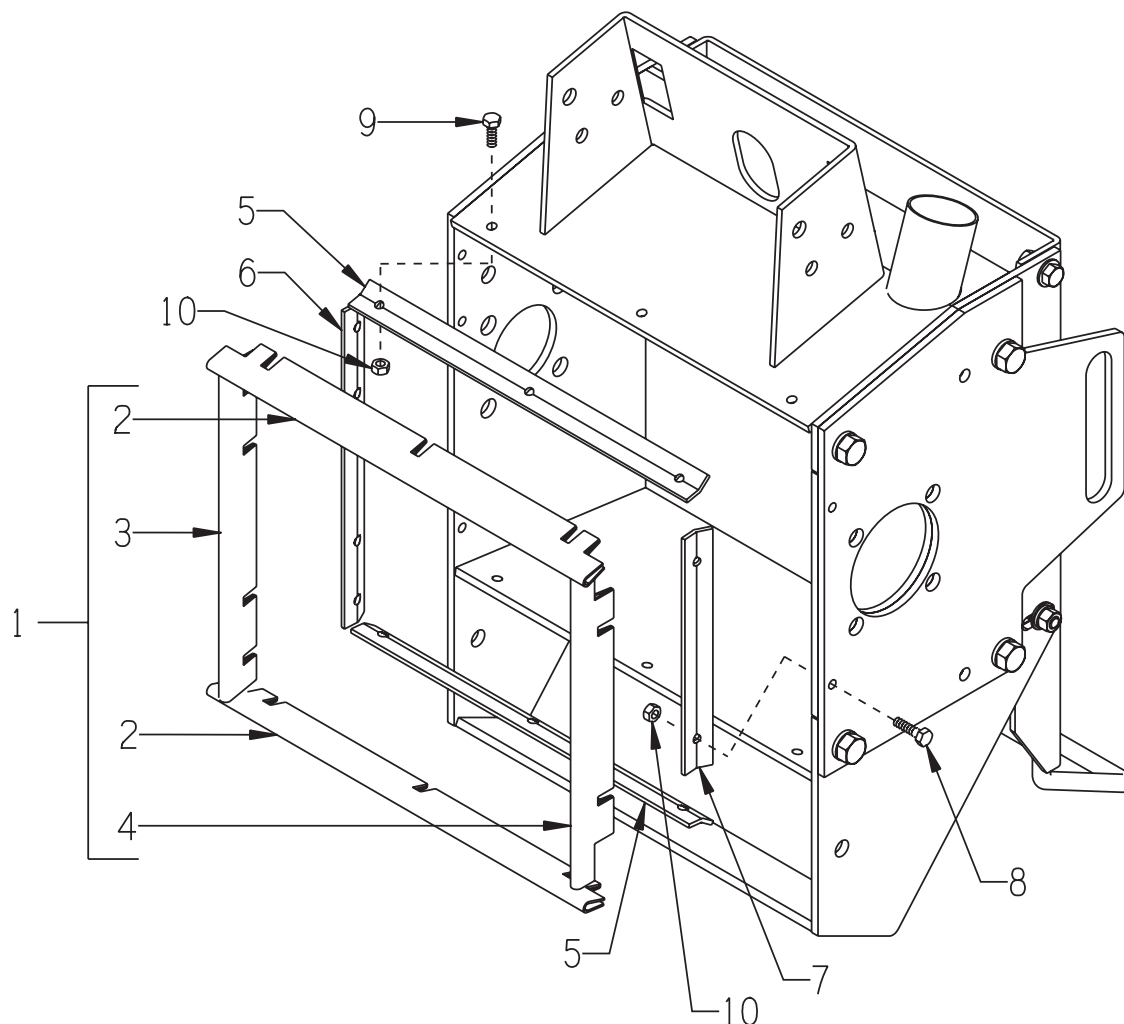
An iBuy Stores Company

**ILLUSTRATION 3: WATER SYSTEM KIT
PART # 65080**

OPTIONAL

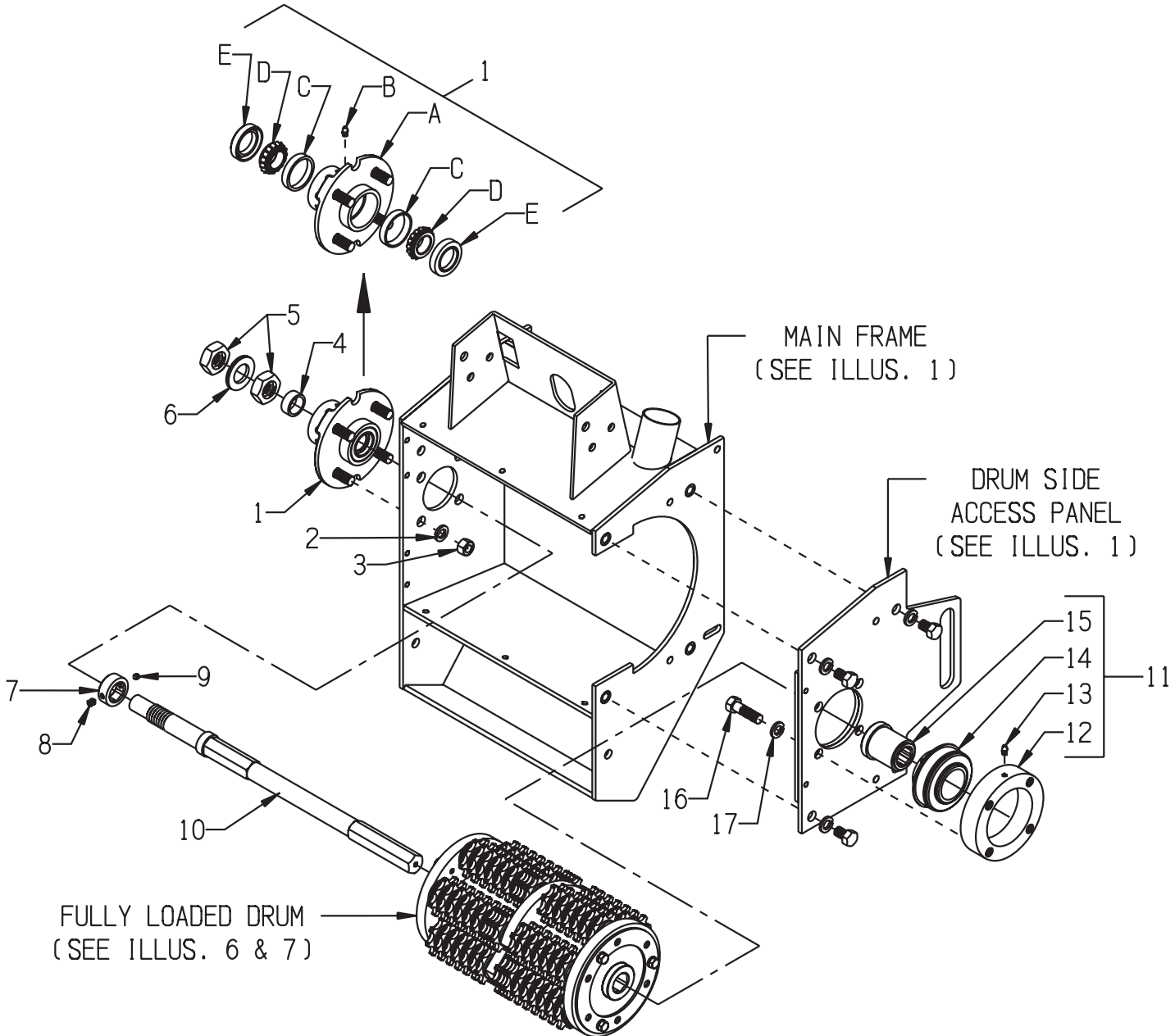


ITEM #	PART #	DESCRIPTION	QTY.
1	80021	CONN., SWIVEL FEM. 3/4HOSE X 1/2MPT	1
2	10711	VALVE, BALL 1/2 FPT	1
3	56022	BRACKET, WATER VALVE	1
4	10038	WASHER, LOCK 1/4 ZINC	2
5	10846	SCREW, CAP STSHW 1/4-20 X 1/2	2
6	10799	BARB ELBOW 90, 3/8HOSE X 1/4MPT (BRASS)	1
7	50069	CLAMP, HOSE SAE #6 ADJ TO 13/16	2
8	65081	HOSE, WATER 3/8"ID X 24"L	1
9	10982	TIE, CABLE, BLACK NYLON 11-1/4"	1
10	11562	BARB ELBOW 90, 3/8HOSE X 1/8MPT (BRASS)	1
11	10864	NUT 1/8-27 PIPE THREAD (BRASS)	1

ILLUSTRATION 4: RUBBER SEAL GROUPING


ITEM #	PART #	DESCRIPTION	QTY.
1	65219S	RUBBER SEAL SET (INCLUDES ITEMS 2, 3, & 4)	1
2	65219-2	RUBBER SEAL, 3 X 14-3/4, CPM-10	2
3	65219-1	RUBBER SEAL, 3 X 11-1/8, CPM-10	1
4	65218	RUBBER SEAL, 3 X 10-3/4, CPM-10	1
5	65222	BRACKET 13-1/4", RUBBER SEAL, CPM10	2
6	65221	BRACKET 10-3/4", RUBBER SEAL, CPM10	1
7	65220	BRACKET 8", RUBBER SEAL, CPM-10	1
8	10031	SCREW, CAP 1/4-20 X 1	2
9	10018	SCREW, CAP 1/4-20 X 3/4	10
10	10861	NUT, KEPS 1/4-20	12

ILLUSTRATION 5: DRUM SHAFT & BEARING GROUPING



EdcoParts.com

888-634-4289

An iBuy Stores Company

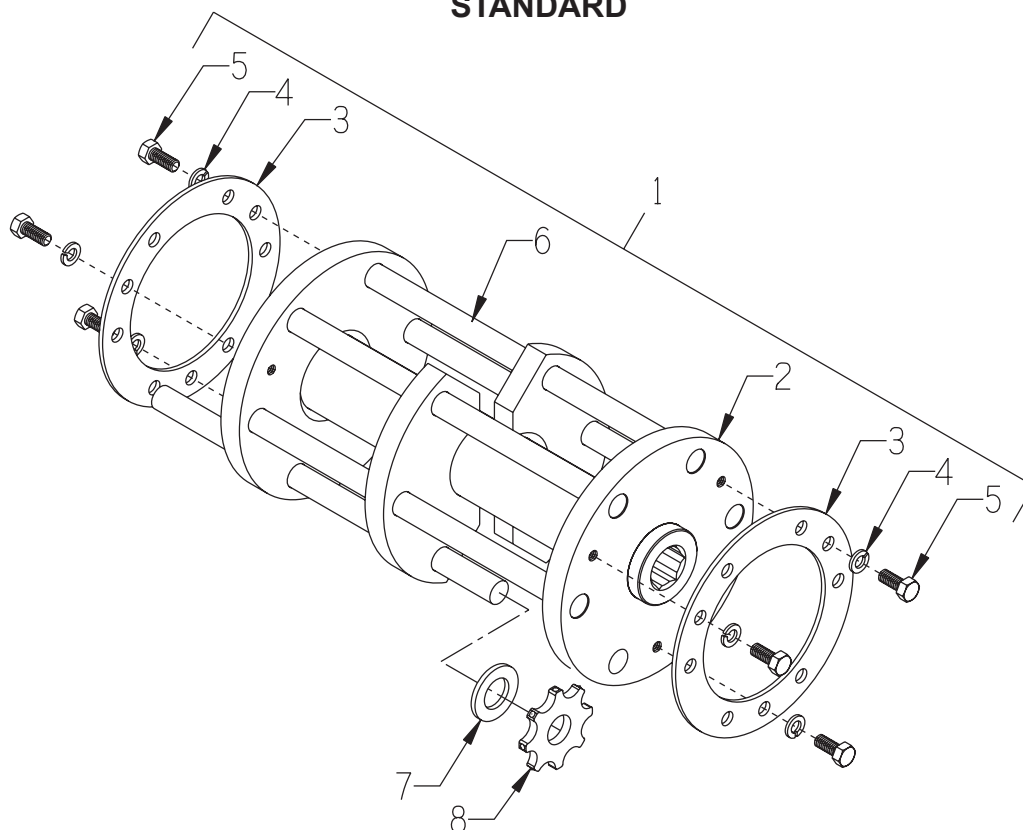
PARTS LISTING - ILLUSTRATIONS 5: DRUM SHAFT & BEARING GROUPING			
ITEM #	PART #	DESCRIPTION	QTY.
1	65227	HUB ASSY. W/ BRGS. & SEALS, CPM-10 (INCLUDES ITEMS 1A THRU 1E)	1
1A	65227H	HUB ONLY W/ RACES & GREASE HOLE (INCLUDES TWO ITEM #1C)	1
1B	10808	FITTING, GREASE 1/4-28 STRAIGHT	1
1C	86339	BEARING CUP/RACE # L44610 (INCLUDED W/ ITEM #1A)	2
1D	86321	BEARING, TAPERED ROLLER 1"ID CONE #L44643	2
1E	86322	SEAL, BEARING HUB, 1.25 X 1.986	2
2	10045	WASHER, LOCK 1/2 ZINC	4
3	10072	NUT 1/2-20	4
4	86319	SPACER, HUB BEARING (HARDENED) 1-1/4"OD x 1"ID x 1/2"L	1
5	50019	NUT, JAM 1-14 ZINC	2
6	86323	WASHER, NORD-LOCK 1" (PAIR)	1
7	65268	COLLAR, LOCKING 1"HEX, CPM-10 (INCLUDES 2 SET-SCREWS - SEE BELOW)	1
8	N/A	SCREW, SET 5/16-18 (INCLUDED W/ ITEM #7)	1
9	10139	SCREW, SET 1/4-20 X 5/16 (INCLUDED W/ ITEM #7)	1
10	65269	SHAFT, DRUM, 1"HEX X 20-3/4"L CPM10	1
11	65224A	BEARING SUBASSY., CPM-10 (INCLUDES ITEMS 12 THRU 15)	1
12	65225	RETAINER, BEARING, CPM-10	1
13	10808	FITTING, GREASE 1/4-28 STRAIGHT	1
14	65224	BEARING, BALL 1-3/4" W/ SNAP RING	1
15	65267	BUSHING, BEARING, 1"HEX, CPM-10	1
16	10498	SCREW, CAP 1/2-20 X 1-3/4	4
17	10045	WASHER, LOCK 1/2 ZINC	4

888-634-4289

An iBuy Stores Company

ILLUSTRATION 6: 6-SHAFT CUTTER DRUM ASSEMBLY

STANDARD



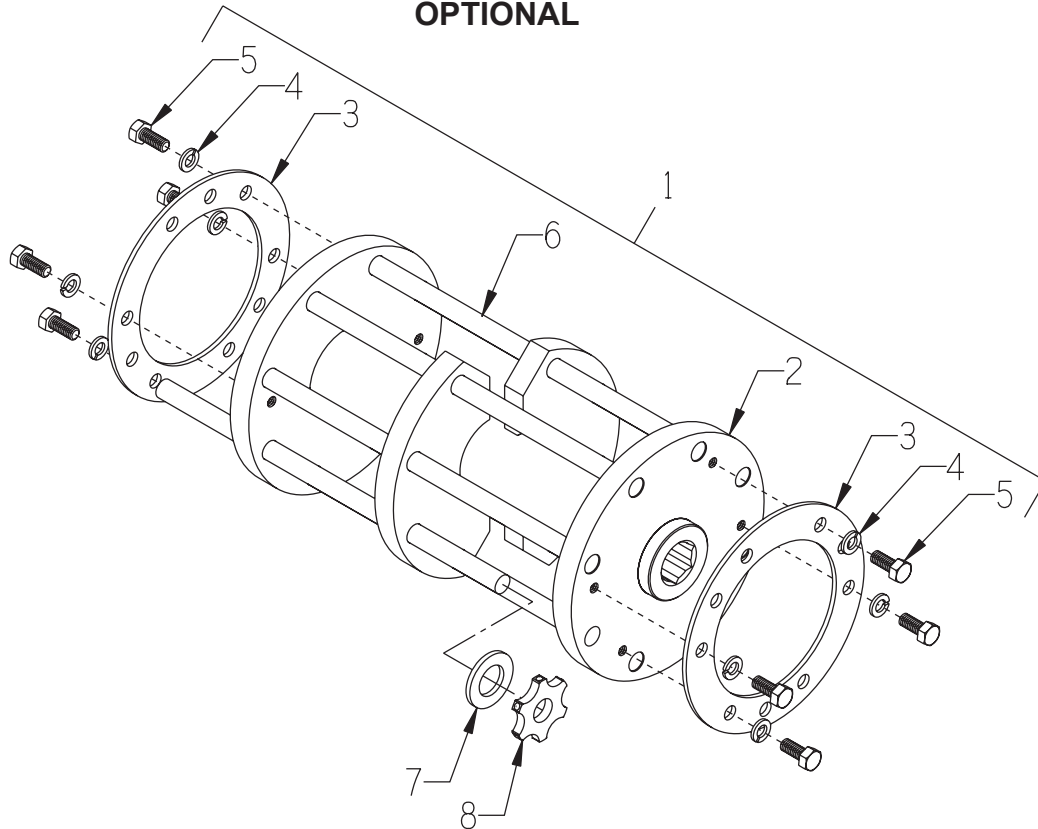
ITEM #	PART #	DESCRIPTION	QTY.
1*	65270	DRUM ASSEMBLY COMPLETE 6-SHAFT 1"HEX (INCLUDES ITEMS 2 THRU 6)	1
2	65271	DRUM ONLY, 6-SHAFT, 1" HEX BORE	1
3	65054	RETAINING PLATE, CUTTER SHAFT	2
4	10801	WASHER, LOCK 5/16 ZINC	6
5	10053	SCREW, CAP 5/16-18 X 3/4	6
6	20170	CP413 SHAFT 5/8 X 11-7/16, CPM-10	6
7*	20060	CP403 SPACER, HARDENED STEEL 1-1/2OD x 3/4ID	SEE NOTE
8*	20326	CUTTERS: CP308T 8-PT. CARBIDE 2-1/4"OD x 3/4"ID x 1/4"THK (SHOWN)	SEE NOTE
	20296	CP404P6 15-PT. POINTED STEEL 2-3/8"OD x 3/4"ID x 3/16"THK	
	20076	CP404 10-PT. FLAT TIP STEEL 2-3/8"OD x 1"ID x 3/16"THK	

***NOTE:**

CUTTER WHEELS AND SPACERS ARE NOT INCLUDED WITH THE DRUM ASSEMBLY.
THE NUMBER OF CUTTER WHEELS AND SPACERS VARY WITH TYPE OF SET-UP USED.
REFER TO ASSEMBLY INSTRUCTIONS FOR SUGGESTED SET-UPS AND QUANTITIES.

**ILLUSTRATION 7:
8-SHAFT CUTTER DRUM ASSEMBLY**

OPTIONAL

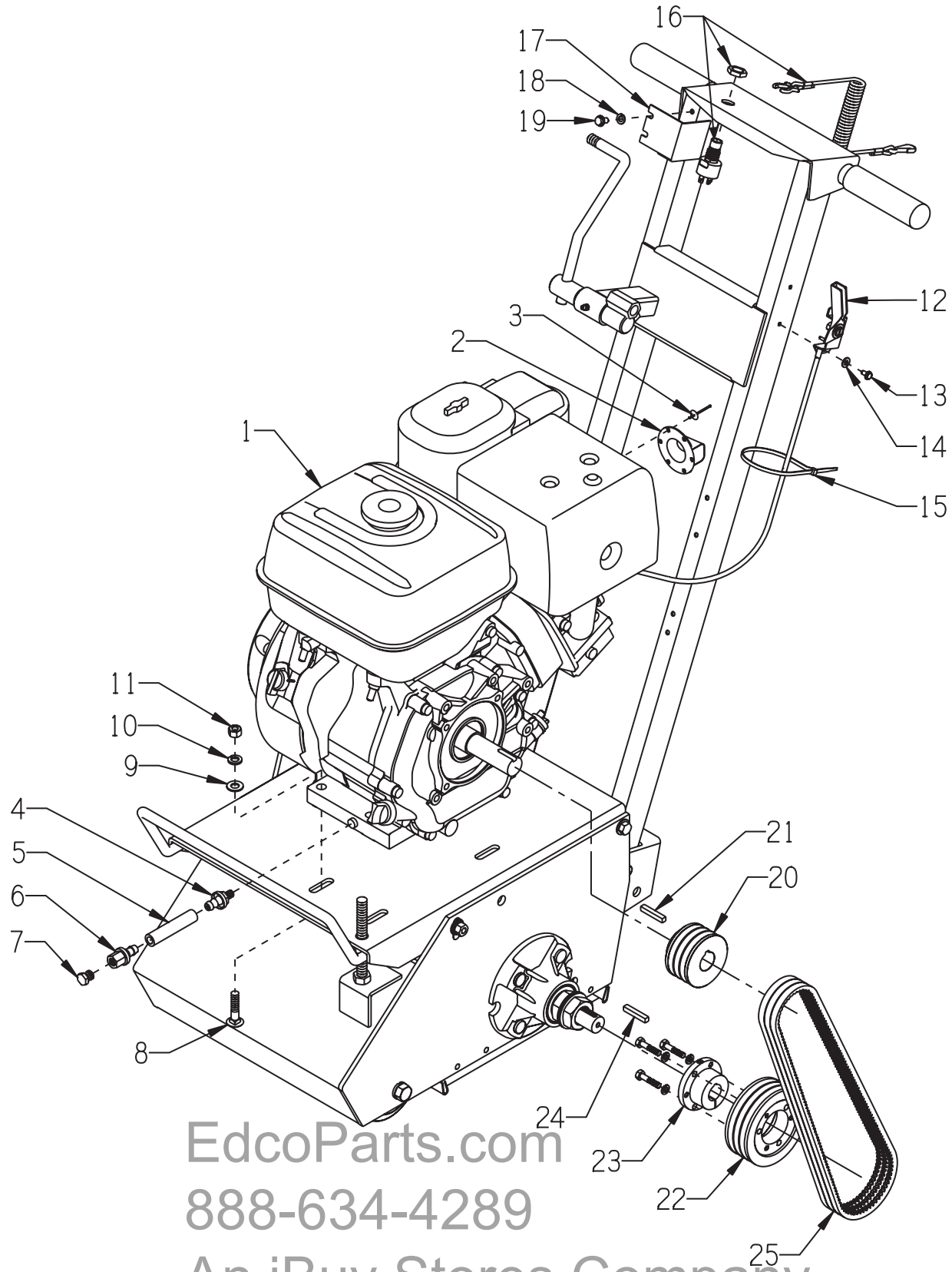


ITEM #	PART #	DESCRIPTION	QTY.
1*	65280	DRUM ASSEMBLY COMPLETE 8-SHAFT 1"HEX (INCLUDES ITEMS 2 THRU 6)	1
2	65281	DRUM ONLY, 8-SHAFT, 1" HEX BORE	1
3	65054	RETAINING PLATE, CUTTER SHAFT	2
4	10801	WASHER, LOCK 5/16 ZINC	8
5	10053	SCREW, CAP 5/16-18 X 3/4	8
6	20180	CP414 SHAFT 1/2 X 11-7/16, CPM-10	8
7*	20060	CP403 SPACER, HARDENED STEEL 1-1/2"OD x 3/4"ID	SEE NOTE
8*	20156 12206 20206 20336	CUTTERS: CP206T 6-PT. CARBIDE 1-3/4"OD x 5/8"ID x 1/4"THK (SHOWN) JRS501P 18-PT. POINTED STEEL 2"OD x 1/2"ID x 3/16"THK CP305 12-PT. FLAT TIP STEEL 2"OD x 5/8"ID x 3/16"THK CP207T 7-PT. SOLID CARBIDE MILLING 1-1/2"OD x 1/2"ID x 1/2"THK	SEE NOTE

***NOTE:**

CUTTER WHEELS AND SPACERS ARE NOT INCLUDED WITH THE DRUM ASSEMBLY.
THE NUMBER OF CUTTER WHEELS AND SPACERS VARY WITH TYPE OF SET-UP USED.
REFER TO ASSEMBLY INSTRUCTIONS FOR SUGGESTED SET-UPS AND QUANTITIES.

ILLUSTRATION 8: ENGINE GROUPING



EdcoParts.com
888-634-4289

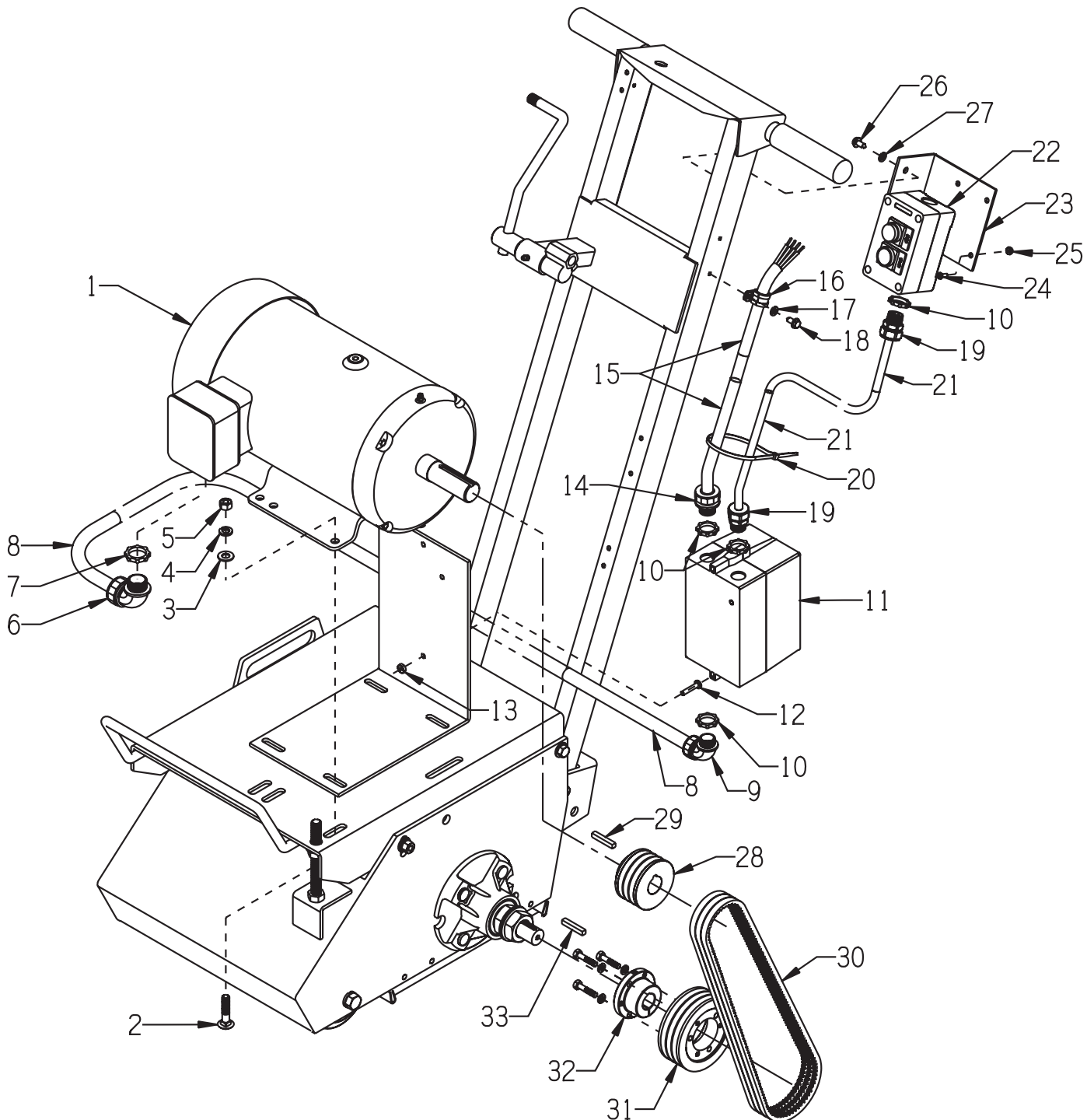
An iBuy Stores Company

PARTS LISTING - ILLUSTRATION 8: ENGINE GROUPING			
ITEM #	PART #	DESCRIPTION	QTY.
1	15029	ENGINE, HONDA GX390U1-QXC9 CYC.A.C.	1
2	10625	MUFFLER CAP, HONDA #18331-ZE3-811	1
3	10128	RIVET, BLIND 1/8 X .250L X .262HD	2
4	11544	BARB, PUSH-ON 3/8 HOSE X 1/4FPT	1
5	56116	HOSE, PUSH-ON 3/8"ID X 3"L	1
6	11542	BARB, PUSH-ON 3/8HOSE X M12-1.5MALE	1
7	10776	PIPE PLUG 1/4 NPT (BRASS)	1
8	10087	BOLT, CARRIAGE 3/8-16 X 1-3/4 F.T.	4
9	10025	WASHER, FLAT 3/8 SAE ZINC	4
10	10811	WASHER, LOCK 3/8 ZINC	4
11	10404	NUT 3/8-16	4
12	40388	CABLE, THROTTLE, LEVER-TYPE 24"	1
13	10877	SCREW, CAP STSHW 10-24 X 1/2	2
14	10831	WASHER, LOCK, INT. TOOTH #10	2
15	10982	TIE, CABLE, BLACK NYLON 11-1/4"	1
16	65293	SWITCH, SAFETY TETHER E-STOP ADDITIONAL PARTS REQ'D. (NOT SHOWN):	1
	10457	WASHER, LOCK, INT. TOOTH 5/8"	1
	65295	WIRE, 65" BLK 14AWG, CPM10 E-STOP	1
	65296	WIRE, 4" BLK 14AWG, E-STOP GROUND	1
	10970	CONN., WIRE QUICK-SPLICE 18-14 GA.	1
	10955	TERM., FEM. PUSH-ON 1/4" 16-14GA.	2
	10982	TIE, CABLE, BLACK NYLON 11-1/4"	3
	10877	SCREW, CAP STSHW 10-24 X 1/2	1
	10831	WASHER, LOCK, INT. TOOTH #10	1
	50084	TERM., RING #10 16-14GA. INSULATED	1
17	65294	COVER, E-STOP SWITCH, CPM10	1
18	10038	WASHER, LOCK 1/4 ZINC	2
19	10846	SCREW, CAP STSHW 1/4-20 X 1/2	2
20	65238	SHEAVE 2.8"OD X 3GR.3V X 1"BORE	1
21	-----	KEY 1/4"SQ. X ? (INCLUDED W/ ENGINE)	1
22	65223	SHEAVE 4.12"OD X 3GR.3V X SH	1
23	10546	BUSHING, SHEAVE SH X 7/8"BORE	1
24	65254	KEY 3/16SQ X 7/8	1
25	10258	BELT 3VX-375	3

888-634-4289

An iBuy Stores Company

ILLUSTRATION 9: 60Hz MOTOR GROUPING



PARTS LISTING - ILLUSTRATION 9: 60Hz MOTOR GROUPING			
ITEM #	PART #	DESCRIPTION	QTY.
1	16002	MOTOR, BALDOR 7.5HP-3P 60HZ 3450RPM	1
2	10087	BOLT, CARRIAGE 3/8-16 X 1-3/4 F.T.	4
3	10025	WASHER, FLAT 3/8 SAE ZINC	4

PARTS LISTING CONTINUED - ILLUSTRATION 9: 60Hz MOTOR GROUPING			
ITEM #	PART #	DESCRIPTION	QTY.
4	10801	WASHER, LOCK 5/16 ZINC	4
5	10404	NUT 3/8-16	4
6	10984	CONN., LIQUID TITE 90D X 3/4NPT	1
7	10740	CONDUIT LOCK NUT 3/4 NP	1
8	65108	WIRE HARNESS 10/4 X 32"LOA	1
9	11621	STRAIN RELIEF 1/2"90D X .625-.750"	1
10	10790	CONDUIT LOCK NUT 1/2 NP	4
11	16454	STARTER ACI #128827, 230V 17.5-21.5A	1
	16459	STARTER ACI #128849, 460V 7.2-10.0A	1
		REPLACEMENT PARTS:	
	16617	STARTER CONTACTOR W/ COIL ACI SK18.310-230	1
	16618	STARTER CONTACTOR W/ COIL ACI SK18.310-460	1
	16622	STARTER AC COIL 200/240V-60HZ	1
	16623	STARTER AC COIL 440/480V-60HZ	1
	16637	STARTER OVERLOAD RELAY 17.5-21.5 AMP	1
	16633	STARTER OVERLOAD RELAY 7.2-10.0 AMP	1
12	11732	SCREW, MACHINE 10-32 X 1-3/4 RPH	2
	10384	SCREW, MACHINE 10-32 X 1 RPH	1
13	10832	NUT, KEPS 10-32	3
14	41053	STRAIN RELIEF 1/2NPT X .625-.750"	1
15	65105	WIRE HARNESS 10/4 X 48"LOA	1
16	11565	CLAMP, LOOM, 5/8" (SAE SIZE 10)	1
17	10846	SCREW, CAP STSHW 1/4-20 X 1/2	1
18	10038	WASHER, LOCK 1/4 ZINC	1
19	40066	STRAIN RELIEF 1/2NPT X .350-.450"	2
20	10982	TIE, CABLE, BLACK NYLON 11-1/4"	3
21	65106	WIRE HARNESS 16/4 X 48"LOA	1
22	16456	REMOTE SWITCH BOX COMPLETE ACI 104548	1
		REPLACEMENTS:	
	16456-6	PUSH-BUTTON, GREEN W/CONTACTOR	1
	16456-7	PUSH-BUTTON, RED W/ CONTACTOR	1
23	65122	BRACKET, REMOTE SWITCH	1
24	11663	SCREW, MACHINE 8-32 X 1/2	4
25	10462	NUT, KEPS 8-32	4
26	10846	SCREW, CAP STSHW 1/4-20 X 1/2	2
27	10038	WASHER, LOCK 1/4 ZINC	2
28	56314	SHEAVE 2.8"OD X 3GR.3V X 1-1/8"BORE	1
29	----	KEY 1/4"SQ. (INCLUDED W/ MOTOR)	1
30	10258	BELT 3VX-375	3
31	65223	SHEAVE 4.12"OD X 3GR.3V X SH	1
32	10546	BUSHING, SHEAVE SH X 7/8"BORE	1
33	65254	KEY 3/16SQ X 7/8	1

EdcoParts.com

800-634-4289

An iBuy Stores Company