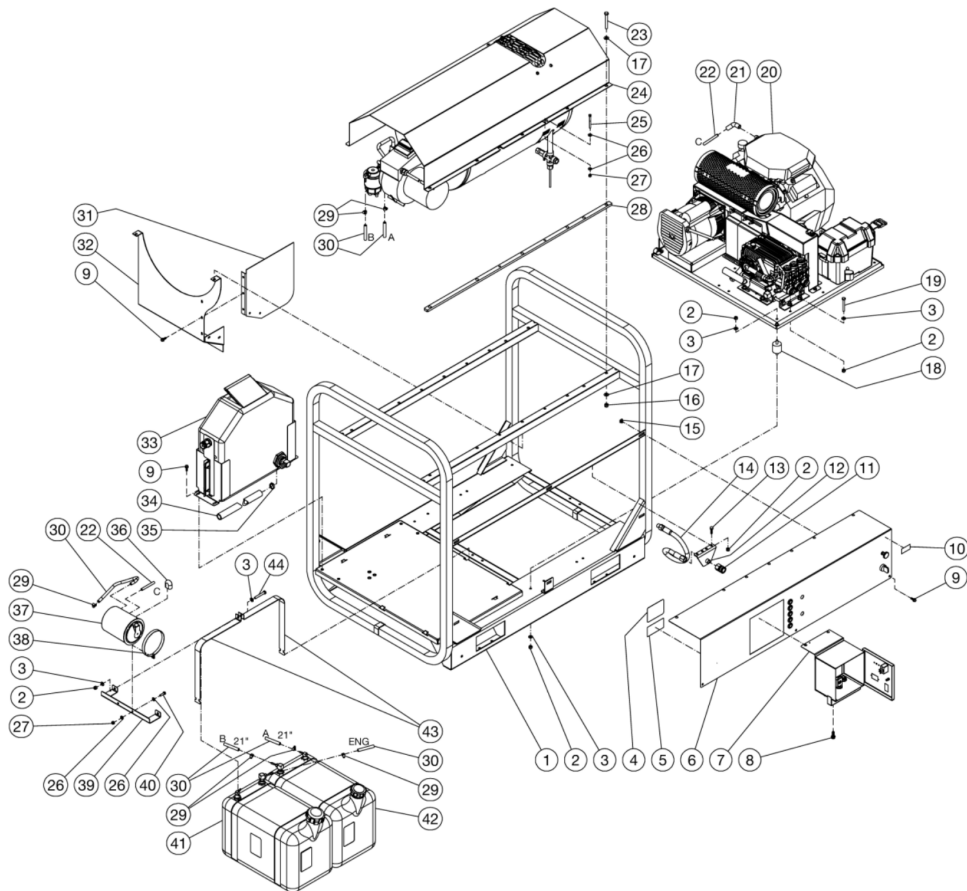




HS-3008-0MGH / HS-3008-0MGH (sn:0-99999999)

UNIT ASSEMBLY



Id	Item #	Description	Quantity	Rev	Comments
1	5-0275A18	FRAME (GASOLINE MODELS)	1		
1	N/A	FRAME (DIESEL MODELS)	1		
2	30-0157	LOCKNUT	22		
3	28-0003	WASHER	22		
4	34-1138	DECAL - DATA PLATE	1		
5	N/A	DECAL- SILVER STICKER	1		
6	N/A	HS_HVS CONTROL PANEL ASSY (GASOLINE MODELS)	1		
6	N/A	HS_HVS KUBOTA CONTROL PANNEL ASSY (DIESEL MODELS)	1		
7	N/A	ELECTRIC BOX ASSEMBLY	1		
8	27-1201	BOLT	2		
9	27-1200	BOLT (3008 GASOLINE MODELS)	12		

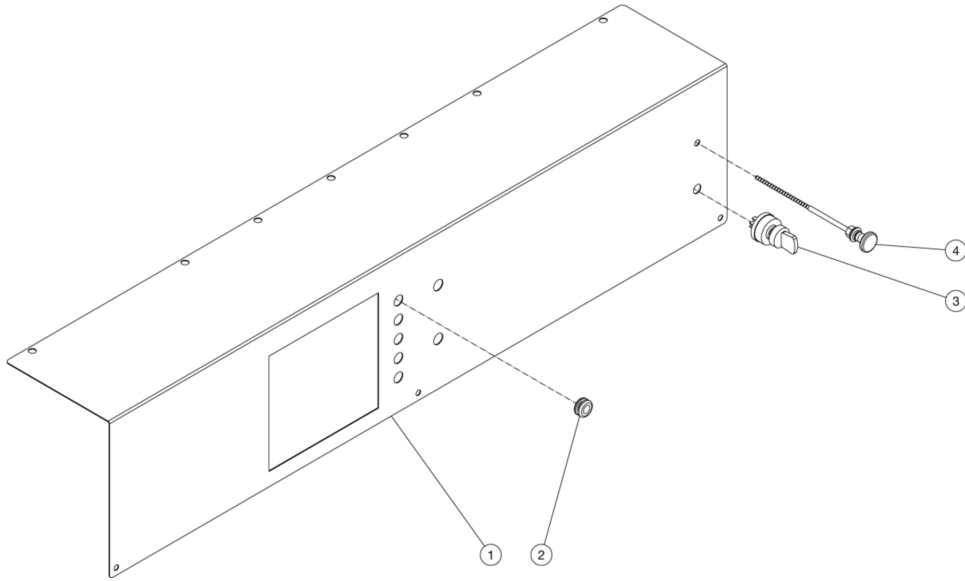
Id	Item #	Description	Quantity	Rev	Comments
9	27-1200	BOLT	7		
10	34-3553	DECAL - MADE IN USA	1		
11	17-0004	QC SOCKET	1		
12	13-0199A18	WATER OUTLET BRACKET	1		
13	27-0067	BOLT	2		
14	15-0202	HIGH PRESSURE HOSE	1		
15	30-6027	CLIP NUT	3		
16	30-0159	LOCKNUT	10		
17	28-0004	WASHER	20		
18	14-0110	ISOLATOR	8		
19	27-0073	BOLT	2		
20	N/A	ISOLATION PLATE ASSEMBLY (GASOLINE MODELS)	1		
20	N/A	ISOLATION PLATE ASSEMBLY (DIESEL MODELS)	1		
21	62-0229	AIR CLEANER ADAPTER (HONDA MODELS)	1		
22	15-0261	FUEL HOSE (GASOLINE MODELS)	2		
23	27-0576	BOLT	10		
24	N/A	HEAT EXCHANGER ASSEMBLY (3005, 3006, 3504, 3505, 3506)	1		
24	N/A	HEAT EXCHANGER ASSY (4004, 4005)	1		
24	N/A	HEAT EXCHANGER ASSY (3008)	1		
25	27-0022	BOLT	4		
26	28-0002	WASHER (GASOLINE MODELS)	12		
26	28-0002	WASHER (DIESEL MODELS)	8		
27	30-0155	LOCKNUT (GASOLINE MODELS)	6		
27	30-0155	LOCKNUT (DIESEL MODELS)	4		
28	20-1289A18	SHIM (3008 DIESEL MODELS)	2		
29	42-0004	CLAMP WORM (GASOLINE MODELS)	6		
29	42-0004	CLAMP WORM (DIESEL MODELS)	8		
30	15-0008	FUEL HOSE *(SIX FEET REQUIRED)	3		
31	20-1099A18	HEAT SHIELD SIDE (3008 GASOLINE MODELS)	1		
32	20-1098A18	HEAT SHIELD (3008 GASOLINE MODELS)	1		
33	N/A	FLOAT TANK ASSEMBLY	1		
34	15-0033	HOSE *(FOUR FEET REQUIRED)	1		
35	42-0003	HOSE CLAMP	1		
36	62-0218	BREATHER VENT COVER (GASOLINE MODELS)	1		
37	62-0212	CARB CANISTER (GASOLINE MODELS)	1		
38	20-1187A01	CARB CANISTER STRAP (GASOLINE MODELS)	2		
39	20-1197A18	CARB CANISTER MOUNT (GASOLINE MODELS)	1		
40	27-0016	BOLT (GASOLINE MODELS)	2		
41	N/A	GAS TANK ASSEMBLY (GASOLINE MODELS)	1		

Id	Item #	Description	Quantity	Rev	Comments
41	N/A	DIESEL FUEL TANK ASSEMBLY (DIESEL MODELS)	1		
42	N/A	BURNER FUEL TANK ASSEMBLY	1		
43	20-0585A18	TANK STRAP	4		
44	27-0072	BOLT	2		
		*MUST ORDER IN ONE FOOT LENGTHS			



HS-3008-0MGH / HS-3008-0MGH (sn:0-99999999)

CONTROL PANEL

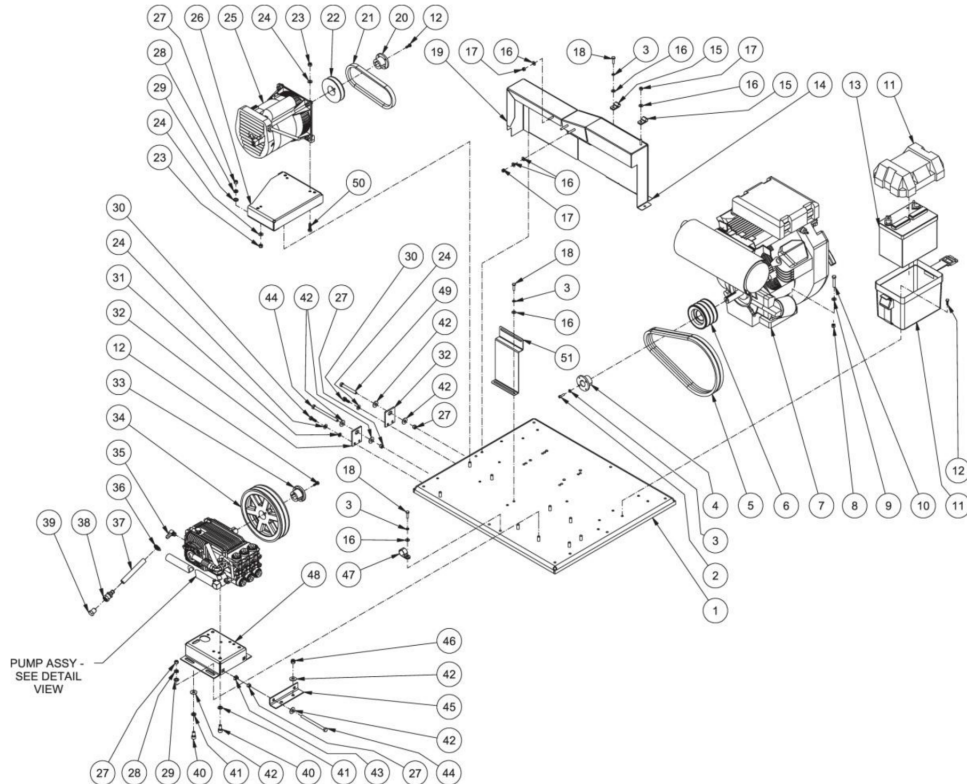


Id	Item #	Description	Quantity	Rev	Comments
1	20-1095A18	CONTROL PANEL	1		
1	20-1095A29	CONTROL PANEL (3505-1SGV)	1		
2	33-0001	GROMMET	5		
3	45-0076	KEY SWITCH (HONDA)	1		
3	45-0071	KEY SWITCH (KOHLER)	1		
3	45-0079	KEY SWITCH (VANGUARD)	1		
4	33-0081	CHOKE CABLE	1		



HS-3008-0MGH / HS-3008-0MGH (sn:0-99999999)

ISOLATION PLATE



Id	Item #	Description	Quantity	Rev	Comments
1	05-0170A18	ISOLATION PLATE	1		
2	27-0771	BOLT	2		
3	29-0006	LOCKWASHER	9		
4	9-0010	ENGINE BUSHING	1		
5	11-0052	PUMP BELT	2		
6	10-0011	ENGINE SHEAVE	1		
7	850-0301	ENGINE ASSEMBLY	1		
8	30-0157	LOCKNUT (HONDA & VANGUARD UNITS)	4		
9	28-0003	WASHER (VANGUARD ENGINE)	4		
9	33-0169	SHIM (HONDA ENGINE)	4		
10	27-0070	BOLT (HONDA & VANGUARD ENGINES)	4		
11	33-0092	BATTERY BOX	1		
12	27-0015	BOLT	10		

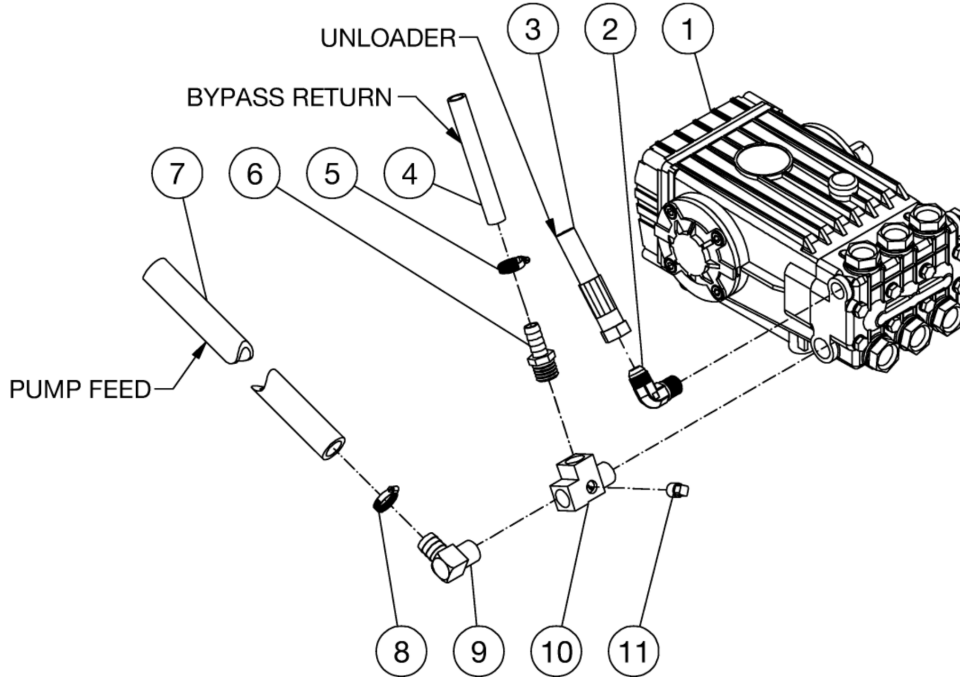
Id	Item #	Description	Quantity	Rev	Comments
13	N/A	BATTERY	1		
14	06-0092A18	PUMP BELTGUARD	1		
15	43-0003	CLIP	2		
16	28-0002	WASHER	11		
17	30-0155	LOCKNUT	4		
18	27-0016	BOLT	7		
19	06-0091A18	GENERATOR BELTGUARD	1		
20	9-0033	BUSHING	1		
21	11-0074	ALT BELT	1		
22	10-0039	ALT SHEAVE	1		
23	30-0157	LOCKNUT	3		
24	28-0003	WASHER	7		
25	850-0352	ALTERNATOR	1		
26	20-0583A18	ALTERNATOR HAT	1		
27	30-0006	NUT	11		
28	29-0008	LOCKWASHER	7		
29	28-0030	WASHER	7		
30	27-0067	BOLT	4		
31	29-0007	LOCKWASHER	4		
32	20-0587A18	TENSION BRACKET	2		
33	9-0017	BUSHING	1		
34	10-0037	PUMP SHEAVE	1		
35	23-0119	ELBOW	1		
36	42-0011	HOSE CLAMP	1		
37	15-0007	HOSE *(TWO FEET REQUIRED)	1		
38	23-0360	HOSE BARB	1		
39	23-0411	PLUG	1		
40	27-8471	BOLT (A/R MODELS)	4		
40	27-8884	BOLT (GENERAL MODELS)	4		
41	29-0055	LOCKWASHER (A/R MODELS)	4		
41	29-0054	LOCKWASHER (GENERAL MODELS)	4		
42	28-0023	FLATWASHER	7		
43	30-6025	CLIP NUT	2		
44	27-0133	BOLT	3		
45	20-0584A18	TENSION BRACKET	1		
46	30-0159	LOCKNUT	2		
47	33-0291	CLIP	1		
48	05-0153A18	PUMP HAT	1		
49	27-0576	BOLT	1		

Id	Item #	Description	Quantity	Rev	Comments
50	27-0068	BOLT	3		
51	20-0589A18	BELTGUARD COVER	2		



HS-3008-0MGH / HS-3008-0MGH (sn:0-99999999)

PUMP PLUMBING



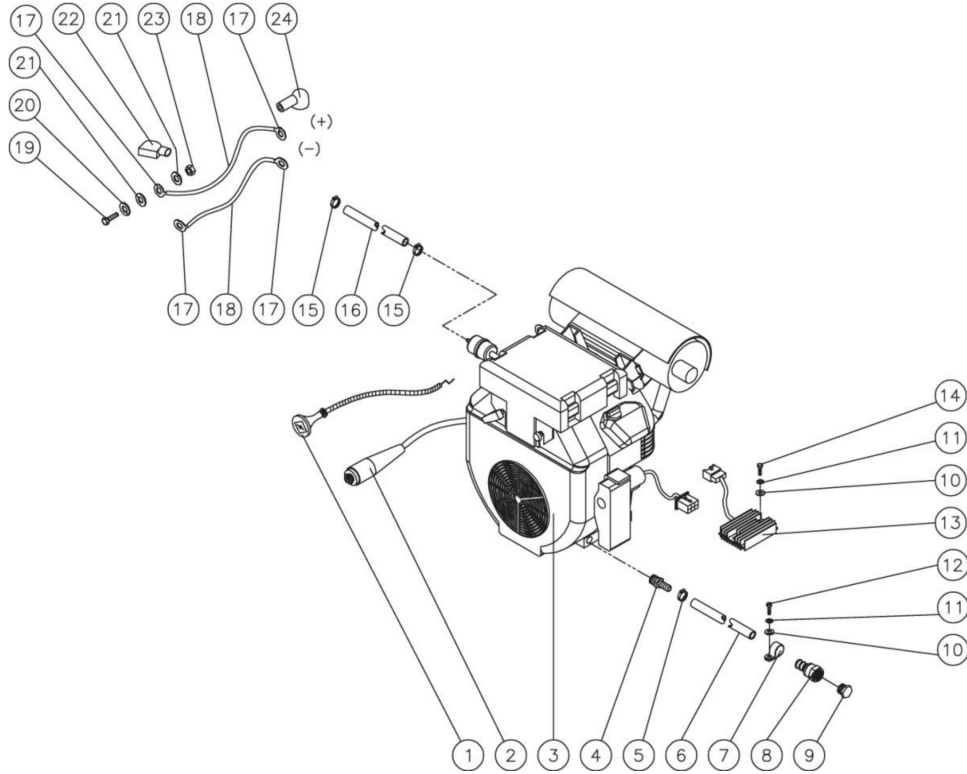
Id	Item #	Description	Quantity	Rev	Comments
1	3-0203	PUMP (HS-3504)	1		
1	3-0202	PUMP (HS-3005/3006/3505/3506)	1		
2	24-0092	ELBOW	1		
3	15-0221	HIGH PRESSURE HOSE ASSY	1		
4	15-0007	HOSE *(THREE FEET REQUIRED)	1		
5	42-0011	HOSE CLAMP	1		
6	23-0045	HOSE BARB	1		
7	15-0033	HOSE *(FOUR FEET REQUIRED)	1		
8	42-0003	HOSE CLAMP	1		
9	23-0037	ELBOW	1		
10	23-0388	STREET TEE	1		
11	23-0238	PLUG	1		

*MUST ORDER IN ONE FOOT LENGTHS



HS-3008-0MGH / HS-3008-0MGH (sn:0-99999999)

ENGINE ASSEMBLY



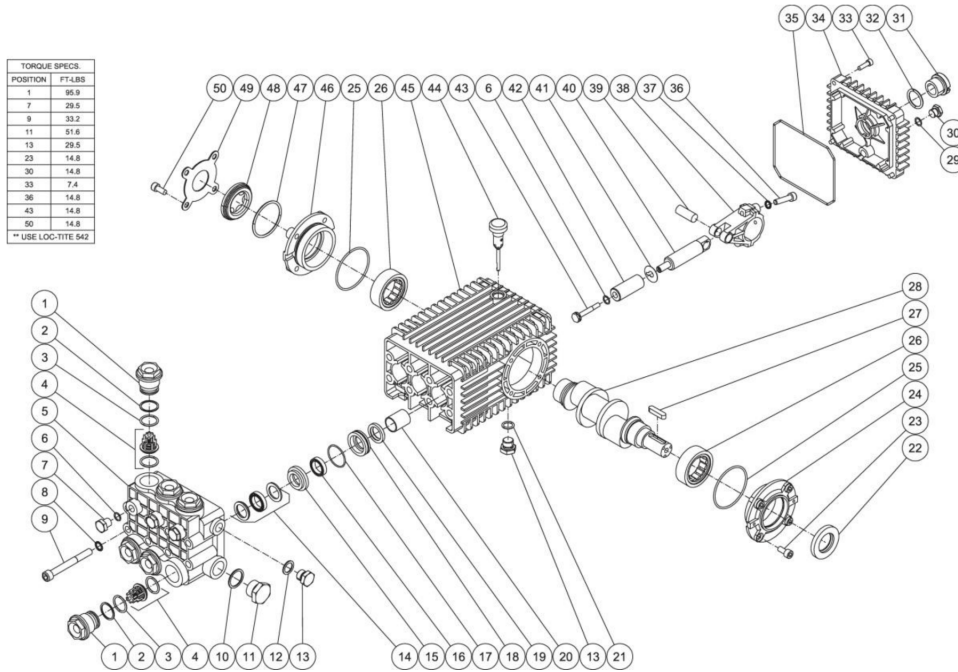
Id	Item #	Description	Quantity	Rev	Comments
1	33-0081	CHOKE CABLE	1		
2	45-0076	KEY SWITCH ASSEMBLY (W/ 1-0128)	1		
3	1-0143	ENGINE- 24HP HONDA	1		
4	23-01 05	BARB	1		
5	42-0011	CLAMP WORM	1		
6	15-0007	HOSE *(ONE FOOT REQUIRED)	1		
7	33-0291	TUBE CLIP	1		
8	23-0360	HOSE BARB	1		
9	23-0411	PLUG	1		
10	28-0002	WASHER	3		
11	29-0006	LOCKWASHER	3		
12	27-0015	SCREW	1		
13	N/A Sep.	RECTIFIER (SEE 1-0128)	1		

Id	Item #	Description	Quantity	Rev	Comments
14	27-0016	SCREW	2		
15	42-0004	CLAMP	2		
16	15-0008	HOSE *(FOUR FEET REQUIRED)	1		
17	32-0097	TERMINAL RING	4		
18	32-0065	CABLE- GROUND *(TWO FEET REQUIRED)	1		
18	32-0065	CABLE- POS *(THREE FEET REQUIRED)	1		
19	27-0066	SCREW	2		
20	29-0007	LOCKWASHER	2		
21	28-0003	WASHER	4		
22	33-0004	TERMINAL PROTECTOR- RED	1		
23	30-0005	NUT	2		
24	33-0273	TERMINAL PROTECTOR- BLACK	1		



HS-3008-0MGH / HS-3008-0MGH (sn:0-99999999)

PUMP ASSEMBLY



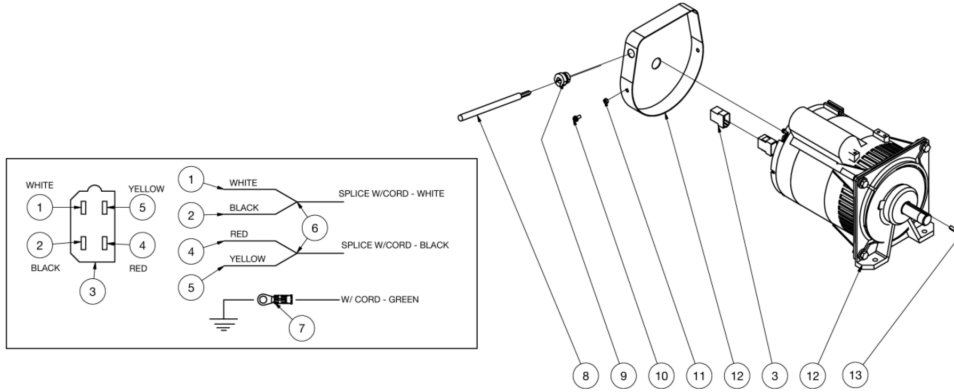
Id	Item #	Description	Quantity	Rev	Comments
1	46-1222	VALVE CAP	6		
2	25-0592	RING	6		
3	25-0139	O-RING	6		
4	SEE KIT	VALVE ASSEMBLY (SEE KIT 70-0439)	6		
5	46-1220	MANIFOLD	1		
6	25-0310	O-RING	6		
7	39-0222	PLUG	3		
8	29-0155	LOCKWASHER	8		
9	27-9595	BOLT	8		
10	28-1051	GASKET	1		
11	39-0221	PLUG	1		
12	28-1002	WASHER	1		
13	39-0018	PLUG	2		
14	SEE KIT	HP SEAL (SEE KIT 70-0440 AND 70-0441)	3		
15	SEE KIT	HP RING (SEE KIT 70-0441)	3		

Id	Item #	Description	Quantity	Rev	Comments
16	SEE KIT	LP SEAL (SEE KIT 70-0440 AND 70-0441)	3		
17	25-0015	O-RING (SEE KIT 70-0441)	3		
18	SEE KIT	LP SEAL (SEE KIT 70-0441)	3		
19	26-0047	OIL SEAL (SEE KIT 70-0432)	3		
20	9-0029	BUSHING	3		
21	25-0052	O-RING	1		
22	26-0049	OIL SEAL	1		
23	27-8431	BOLT	4		
24	46-1217	CRANKCASE COVER OPEN	1		
25	25-0590	O-RING	2		
26	48-0085	BEARING	2		
27	46-0602	KEY	1		
28	46-1344	CRANKSHAFT	1		
29	25-0014	O-RING	1		
30	39-0017	PLUG	1		
31	46-1163	SIGHT GLASS	1		
32	25-0059	O-RING	1		
33	27-8812	BOLT	4		
34	46-1212	CRANKCASE COVER	1		
35	25-0339	O-RING	1		
36	27-8435	BOLT	6		
37	29-1014	LOCKWASHER	6		
38	46-1211	CONNECTING ROD	3		
39	43-0118	CONNECTING ROD PIN	3		
40	46-1213	PLUNGER ROD	3		
41	46-1214	SLINGER WASHER	3		
42	46-1221	PLUNGER	3		
43	46-1216	BOLT / PISTON	3		
44	46-0144	OIL DIP STICK	1		
45	46-1209	CRANKCASE	1		
46	46-1208	CRANKCASE COVER	1		
47	25-0060	O-RING	1		
48	46-0574	OIL LEVEL INDICATOR	1		
49	46-1207	SIGHTGLASS COVER	1		
50	27-8433	BOLT	4		
KIT	70-0432	OIL SEAL KIT (INC. 3 EACH 16)			
KIT	70-0439	VALVE KIT (INC. 6 EACH 4)			
KIT	70-0440	LOW/HIGH PRESSURE SEALS (INC. 3 EACH 14,16)			
KIT	70-0441	PACKING KIT (INC. 3 EACH 14-18)			



HS-3008-0MGH / HS-3008-0MGH (sn:0-99999999)

ALTERNATOR



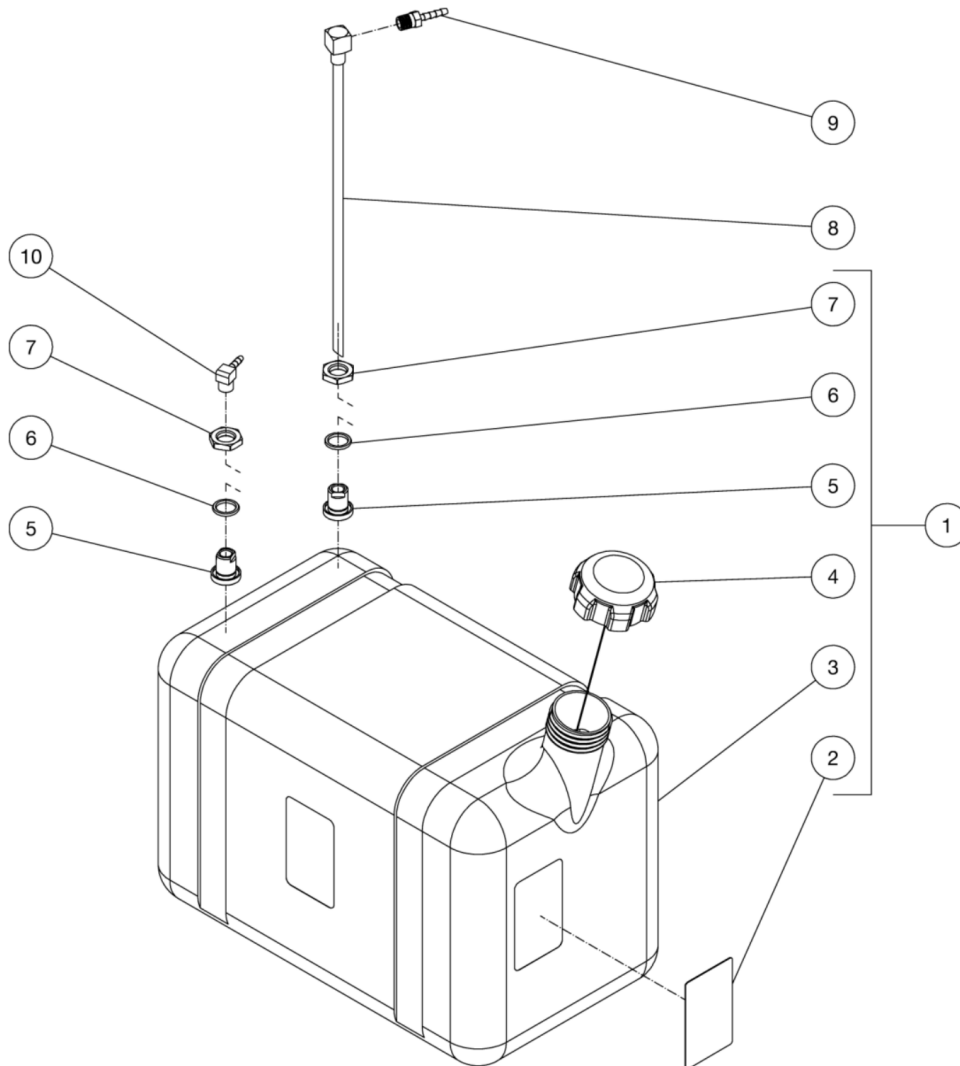
Id	Item #	Description	Quantity	Rev	Comments
1	32-0452	WIRE - WHITE	1		
2	32-0091	WIRE - BLACK	1		
3	N/A	CONNECTOR	1		
4	32-0178	WIRE - RED	1		
5	32-0853	WIRE - YELLOW	1		
6	32-0417	CRIMP	1		
7	32-0099	TERMINAL RING	1		
8	32-0440	CORD	1		
9	9-0045	BUSHING	1		
10	27-9593	SCREW	2		
11	30-6001	NUT	1		
12	32-0895	ALTERNATOR	1		
13	43-0085	KEY	1		

*MUST ORDER IN ONE FOOT LENGTHS



HS-3008-0MGH / HS-3008-0MGH (sn:0-99999999)

GAS TANK ASSEMBLY



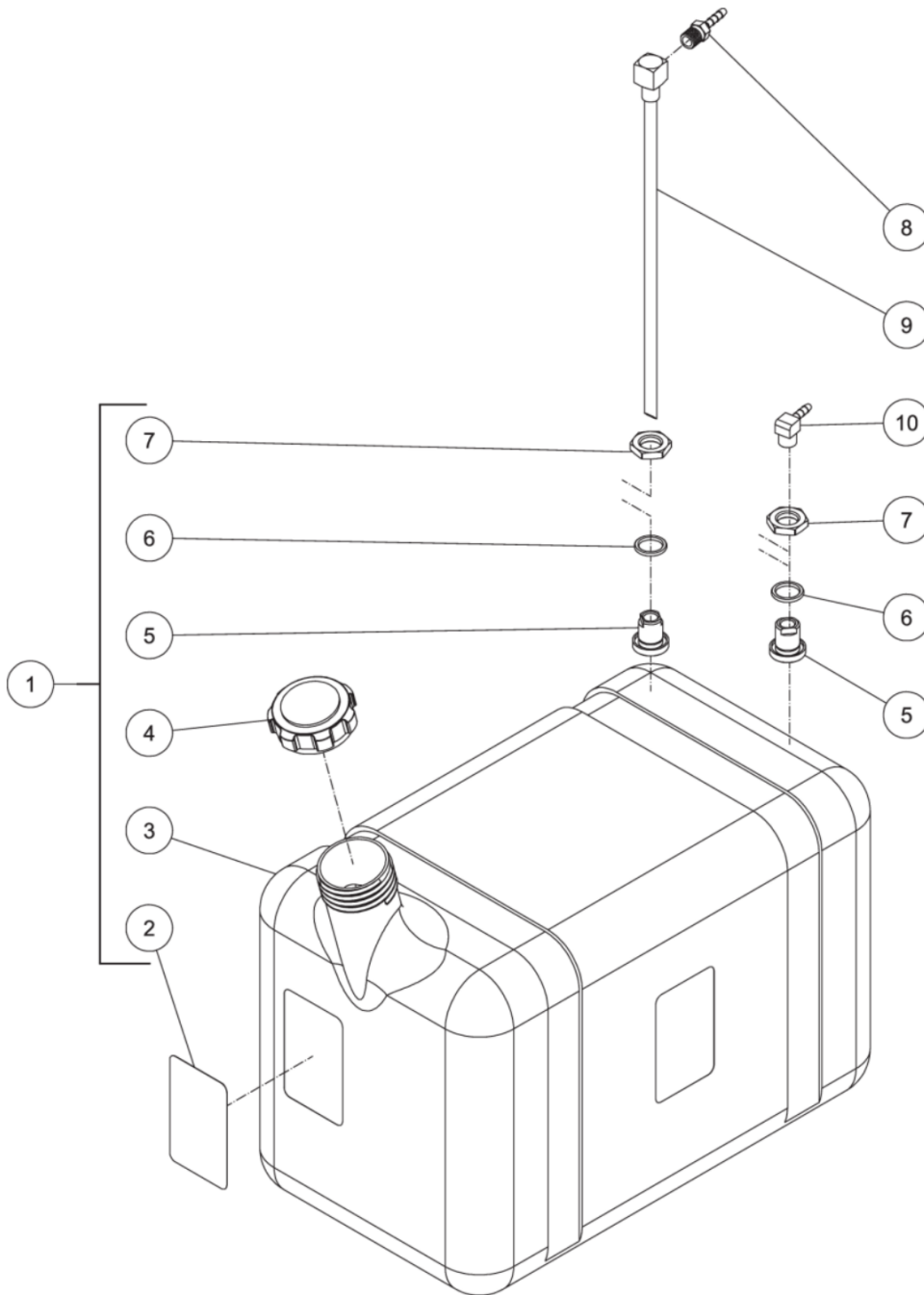
Id	Item #	Description	Quantity	Rev	Comments
1	850-0306	GAS TANK ASSY (INC 2-7)	1		
2	N/A	DECAL- CAUTION: GASOLINE ONLY (SEE 71-0034)	1		
3	N/A	FUEL TANK - RED	1		
4	12-0220	FUEL CAP - SEALED/TETHERED	1		
5	23-0408	BULKHEAD FITTING	2		
6	25-0427	O-RING	2		
7	23-0409	NUT	2		
8	33-0352	FUEL PICK-UP	1		

Id	Item #	Description	Quantity	Rev	Comments
9	23-0051	BARB	1		
10	23-0054	ELBOW	1		



HS-3008-0MGH / HS-3008-0MGH (sn:0-99999999)

BURNER FUEL TANK ASSEMBLY



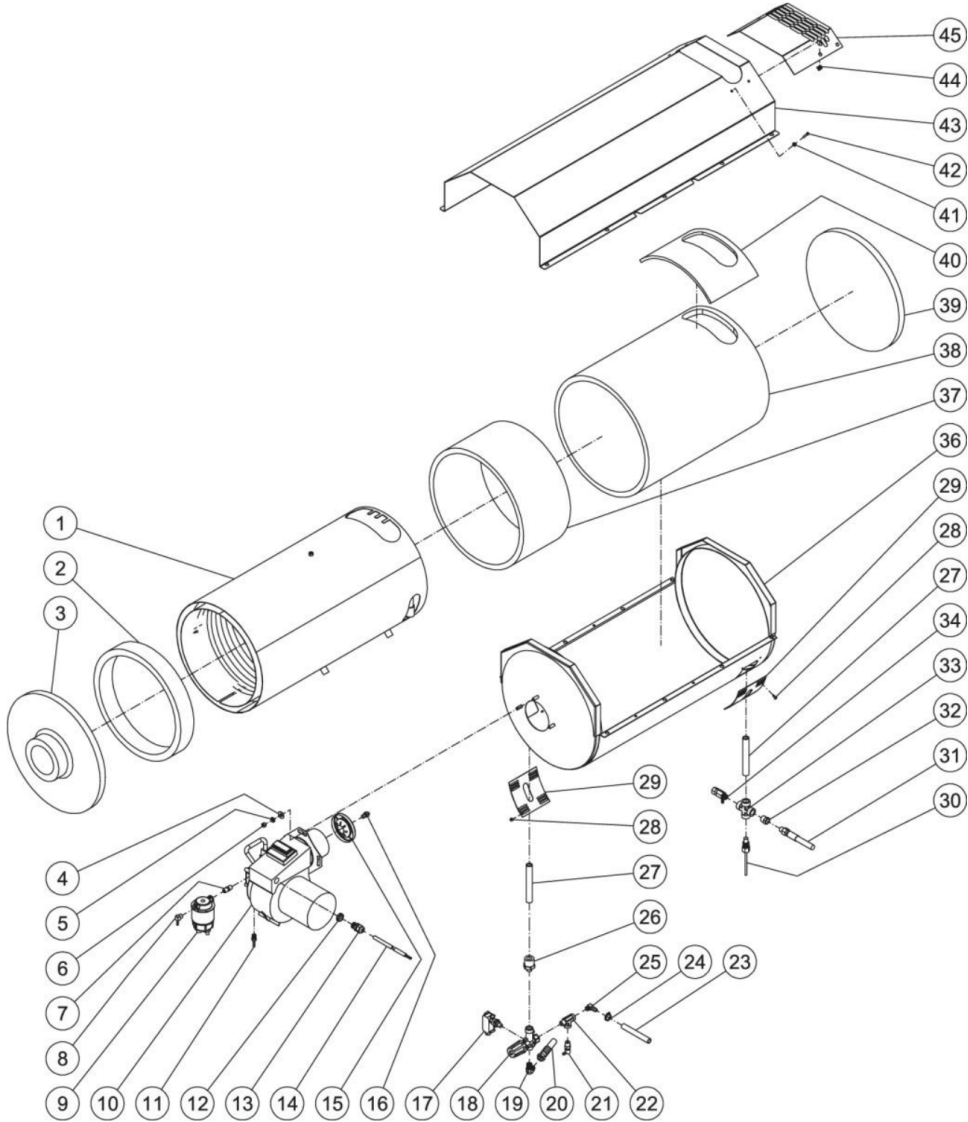
Id	Item #	Description	Quantity	Rev	Comments
1	850-0307	FUEL TANK ASSEMBLY (INC. 2-7)	1		
2	34-1034	DECAL- CAUTION: RISK OF FIRE	1		

Id	Item #	Description	Quantity	Rev	Comments
3	N/A Sep.	FUEL TANK (SEE 850-0307)	1		
4	12-0033	FUEL CAP	1		
5	23-0408	BULKHEAD FITTING	2		
6	25-0427	O-RING	2		
7	23-0409	NUT	2		
8	23-0051	HOSE BARB	1		
9	33-0352	FUEL PICKUP	1		
10	23-0054	ELBOW	1		



HS-3008-0MGH / HS-3008-0MGH (sn:0-99999999)

HEAT EXCHANGER



Id	Item #	Description	Quantity	Rev	Comments
1	33-0423	EDGING *(THREE FEET REQUIRED)	1		
2	850-0279	INSULATION BLANKET	1		
3	850-0360	INSULATION BLANKET	1		
4	66-0021	COIL	1		
5	850-0314	INSULATION BLANKET	1		
6	33-0345	INSULATION DRUM HEAD	1		

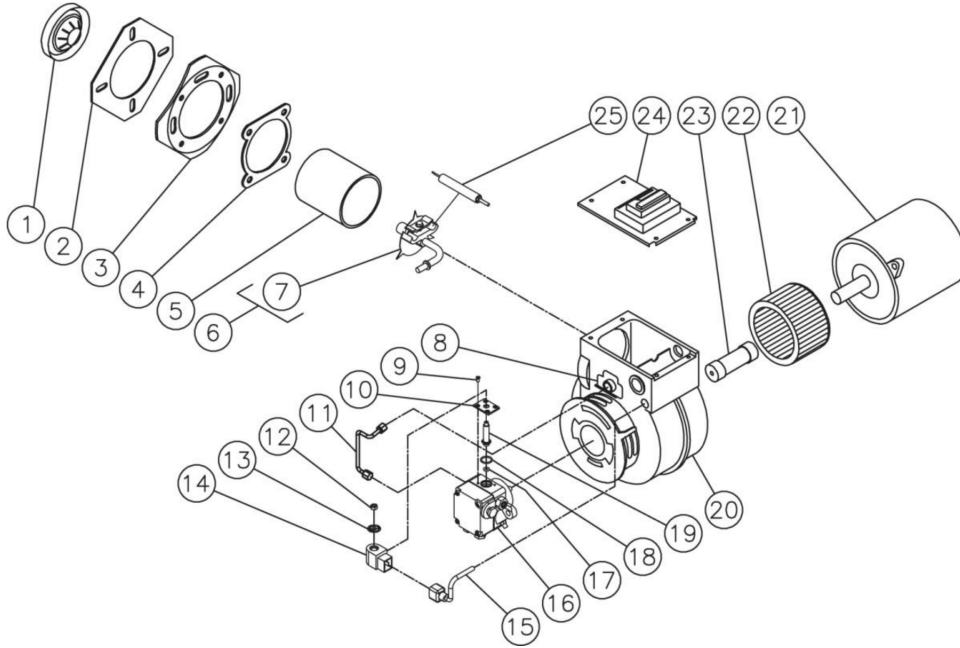
Id	Item #	Description	Quantity	Rev	Comments
7	28-0023	WASHER	3		
8	29-0008	LOCKWASHER	3		
9	30-0006	NUT	3		
10	23-0054	ELBOW	1		
11	19-0070	FUEL FILTER / WATER SEPERATOR	1		
12	24-0145	NIPPLE	1		
13	4-0017	BURNER	1		
14	23-0051	BARB	1		
15	32-0108	ELECTRICAL LOCKNUT	1		
16	32-0437	STRAIN RELIEF	1		
17	32-0247	CORD *(FIVE FEET REQUIRED)	1		
18	44-0162	COMBUSTION HEAD	1		
19	18-0175	FUEL NOZZLE	1		
20	22-0243	PRESSURE SWITCH	1		
21	850-0252	UNLOADER	1		
22	24-0092	ELBOW	1		
23	15-0221	HIGH PRESSURE HOSE ASSEMBLY	1		
24	22-0432	HEAT DUMP VALVE	1		
25	23-0058	STREET TEE	1		
26	15-0007	HOSE *(TWO FEET REQUIRED)	1		
27	42-0011	HOSE CLAMP	1		
28	23-0119	ELBOW	1		
29	24-0048	REDUCER	1		
30	24-0254	PIPE NIPPLE	2		
31	27-3062	BOLT	8		
32	20-0537A18	PATCH PLATE	2		
33	32-0734	ADJUSTABLE THERMOSTAT	1		
34	13-0199A18	WATER OUTLET BRACKET	1		
35	17-0004	QC SOCKET	1		
36	30-0157	LOCKNUT	2		
37	28-0003	WASHER	4		
38	27-0067	BOLT	2		
39	15-0202	HP HOSE	1		
40	23-0016	REDUCER BUSHING	1		
41	24-0241	CROSS	1		
42	22-0309	SAFETY RELIEF VALVE	1		
43	21-0233	BOTTOM WRAP	1		
44	33-0346	INSULATION DISC	1		
45	21-0264	SHIM	2		

Id	Item #	Description	Quantity	Rev	Comments
46	21-0232	TOP WRAP	1		
		*MUST ORDER IN ONE FOOT LENGTHS			



HS-3008-0MGH / HS-3008-0MGH (sn:0-99999999)

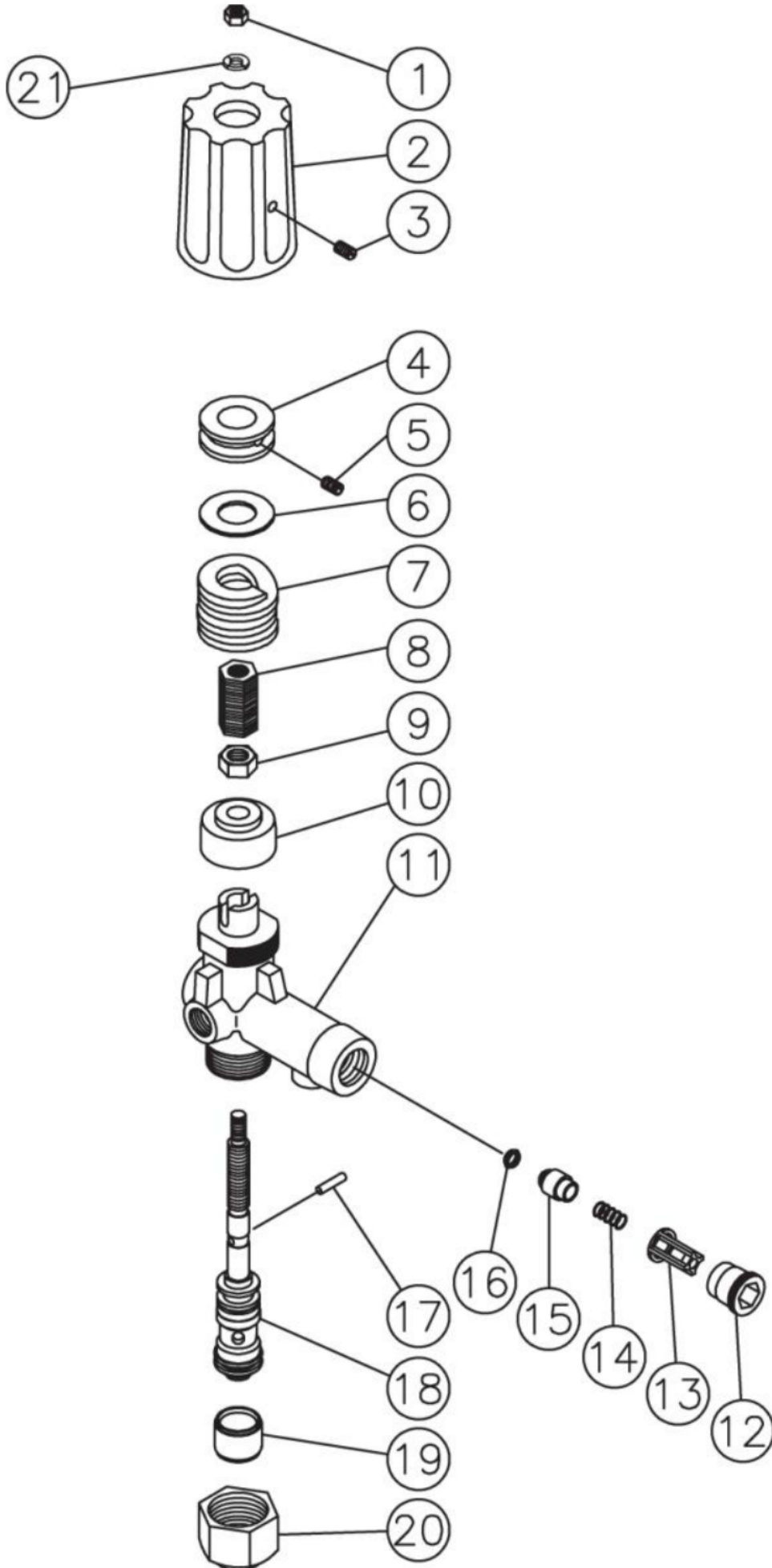
BURNER ASSEMBLY



Id	Item #	Description	Quantity	Rev	Comments
1	44-0011	BURNER HEAD	1		
2	44-0108	MOUNTING GASKET	1		
3	44-0109	FLANGE	1		
4	26-0138	GASKET	1		
5	44-0110	AIR TUBE	1		
6	44-0113	NOZZLE LINE ASSEMBLY	1		
7	44-0114	ELECTRODE KIT	1		
8	44-0031	ESCUTCHEON PLATE	1		
9	SEE KIT	SCREW (SEE 70-0746)	1		
10	46-1004	BASE PLATE (SEE 70-0746)	1		
11	44-0026	FUEL LINE	1		
12	46-1016	PISTON NUT (SEE 70-0746)	1		
13	SEE KIT	SPRING WASHER (SEE 70-0746)	1		
14	46-1020	FUEL SOLENOID	1		
15	44-0122	CORD SET	1		
16	3-0236	FUEL PUMP	1		

Id	Item #	Description	Quantity	Rev	Comments
17	SEE KIT	O-RING (SEE 70-0746)	1		
18	SEE KIT	O-RING (SEE 70-0746)	1		
19	SEE KIT	SOLENOID PISTON (SEE 70-0746)	1		
20	44-0033	BURNER HOUSING	1		
21	2-0068	MOTOR (4-0017)	1		
21	2-0067	MOTOR (4-0018)	1		
22	44-0071	BLOWER WHEEL	1		
23	44-0014	COUPLER	1		
24	44-0017	IGNITION TRANSFORMER (4-0017)	1		
24	44-0015	IGNITION TRANSFORMER (4-0018)	1		
25	44-0114	ELECTRODE	2		
	4-0017	COMPLETE BURNER (INC 1-17)			
	4-0018	COMPLETE BURNER (INC 1-17)			
KIT	70-0746	SOLENOID TUBE KIT (INC 9, 10, 12, 13, 17-19)			

UNLOADER ASSEMBLY

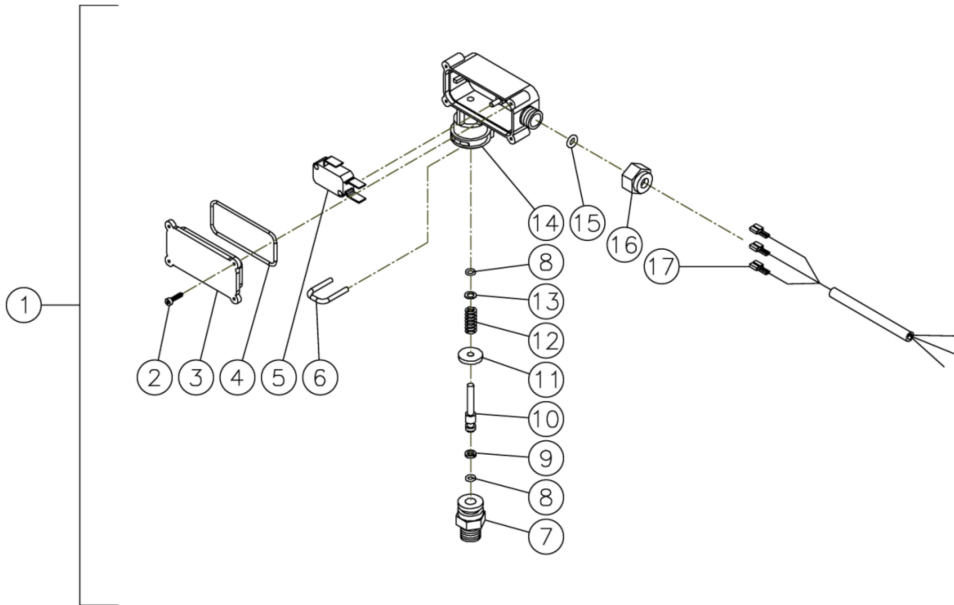


Id	Item #	Description	Quantity	Rev	Comments
1	8-0362	HEX NUT	1		
2	7-0098	ADJUSTMENT KNOB	1		
3	27-4280	SET SCREW	1		
4	8-0364	ADJUSTMENT NUT	1		
5	8-0365	SET SCREW	1		
6	8-0366	GLIDE RING	1		
7	49-0104	SPRING	1		
8	8-0363	ADJUSTMENT INSERT	1		
9	8-0367	HEX NUT	1		
10	8-0368	BUSHING	1		
11	8-0369	UNLOADER BODY	1		
12	8-0269	RETAINER	1		
13	8-0104	CHECK VALVE	1		
14	49-0023	SPRING	1		
15	8-0105	VALVE	1		
16	25-0036	O-RING	1		
17	8-0372	CYLINDER PIN	1		
18	70-0243	PISTON ASSEMBLY	1		
19	8-0371	SPACER	1		
20	8-0157	STOP NUT	1		
21	29-0006	LOCKWASHER	1		



HS-3008-0MGH / HS-3008-0MGH (sn:0-99999999)

PRESSURE SWITCH



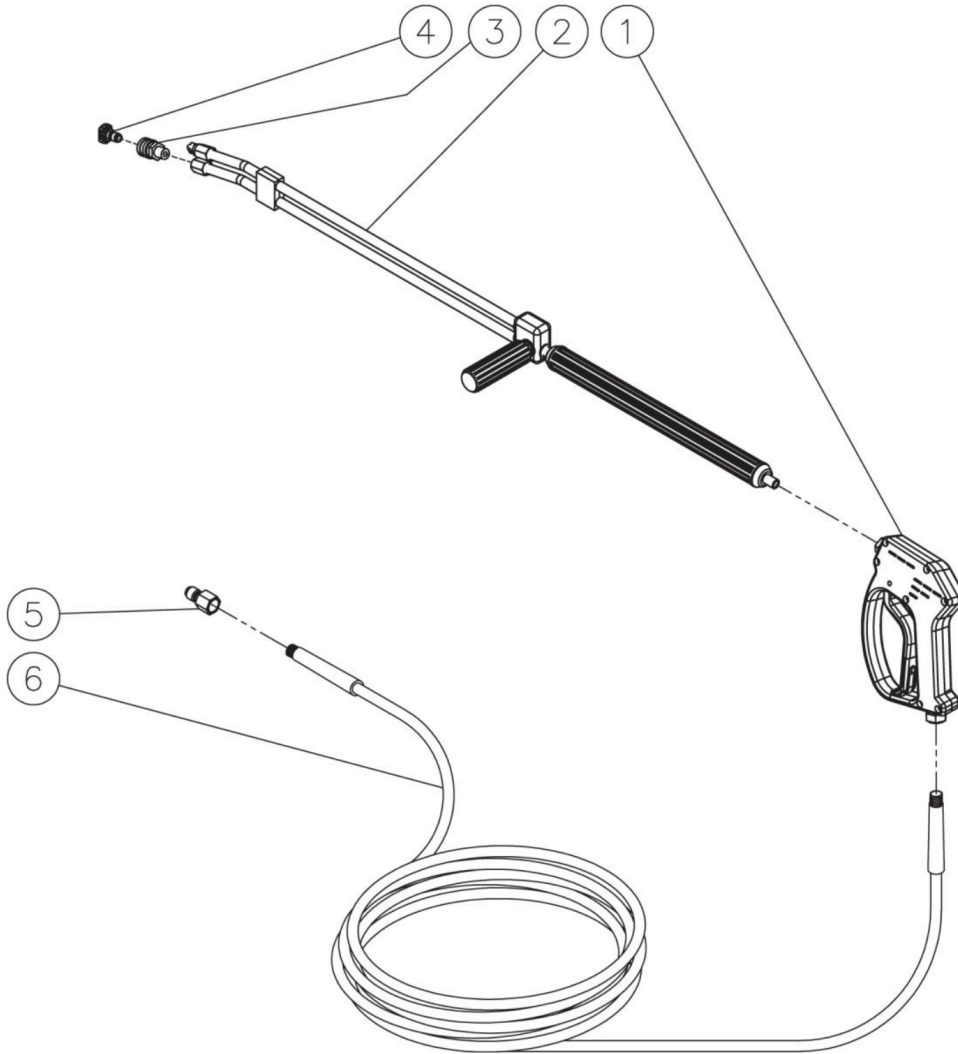
Id	Item #	Description	Quantity	Rev	Comments
1	22-0171	PRESSURE SWITCH- 15 BAR	1		
1	22-0243	PRESSURE SWITCH- 25 BAR	1		
2	N/A	SCREW	4		
3	N/A	COVER	1		
4	N/A Sep.	O-RING (SEE 70-0306)	1		
5	N/A	MICRO SWITCH	1		
6	N/A	RETAINER CLIP	1		
7	N/A	BODY	1		
8	N/A Sep.	O-RING (SEE 70-0306)	2		
9	N/A Sep.	BACK-UP RING (SEE 70-0306)	1		
10	N/A	PISTON	1		
11	N/A	WASHER	1		
12	49-0144	SPRING- 15 BAR	1		
12	49-0145	SPRING- 25 BAR	1		
13	N/A	WASHER	1		
14	N/A	PLASTIC HOUSING	1		

Id	Item #	Description	Quantity	Rev	Comments
15	N/A Sep.	O-RING (SEE 70-0306)	1		
16	N/A	NUT- 15 BAR	1		
16	N/A	NUT- 25 BAR	1		
17	N/A	WIRE ASSEMBLY	1		
KIT	70-0306	O-RING REPAIR KIT (INC. 4, 8-9, 15)			



HS-3008-0MGH / HS-3008-0MGH (sn:0-99999999)

GUN/WAND/HOSE ASSEMBLY



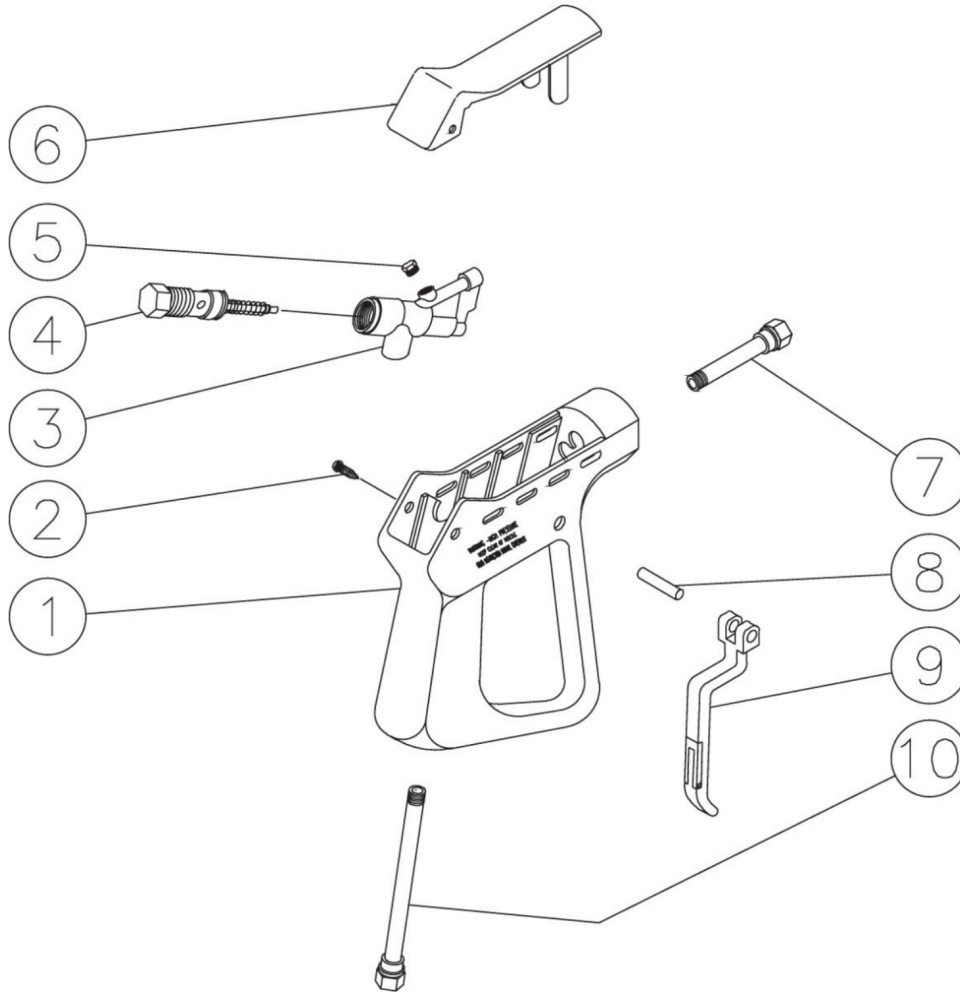
Id	Item #	Description	Quantity	Rev	Comments
1	16-0446	GUN ASSEMBLY	1		
2	16-0417	DUAL LANCE 48" (3005)	1		
2	16-0416	DUAL LANCE 36" (1803/2004/3004)	1		
3	17-0028	QUICK CONNECT SOCKET	1		
4	18-0402	NOZZLE- 0004.5 (3004)	1		
4	18-0403	NOZZLE- 1504.5 (3004)	1		
4	18-0404	NOZZLE- 2504.5 (3004)	1		
4	18-0405	NOZZLE- 4004.5 (3004)	1		

Id	Item #	Description	Quantity	Rev	Comments
4	18-0410	NOZZLE- 0005.5 (3005)	1		
4	18-0411	NOZZLE- 1505.5 (3005)	1		
4	18-0412	NOZZLE- 2505.5 (3005)	1		
4	18-0413	NOZZLE- 4005.5 (3005)	1		
4	18-0414	NOZZLE- 0006 (2004)	1		
4	18-0415	NOZZLE- 1506 (2004)	1		
4	18-0416	NOZZLE- 2506 (2004)	1		
4	18-0417	NOZZLE- 4006 (2004)	1		
4	18-0007	NOZZLE- 0007 (1805)	1		
4	18-0008	NOZZLE- 1507 (1805)	1		
4	18-0009	NOZZLE- 2507 (1805)	1		
4	18-0032	NOZZLE- 4007 (1805)	1		
5	17-0006	QUICK CONNECT PLUG	1		
6	15-0166	HIGH PRESSURE HOSE ASSEMBLY 4500 PSI	1		
6	15-0146	HIGH PRESSURE HOSE ASSEMBLY 3000 PSI	1		



HS-3008-0MGH / HS-3008-0MGH (sn:0-99999999)

GUN ASSEMBLY



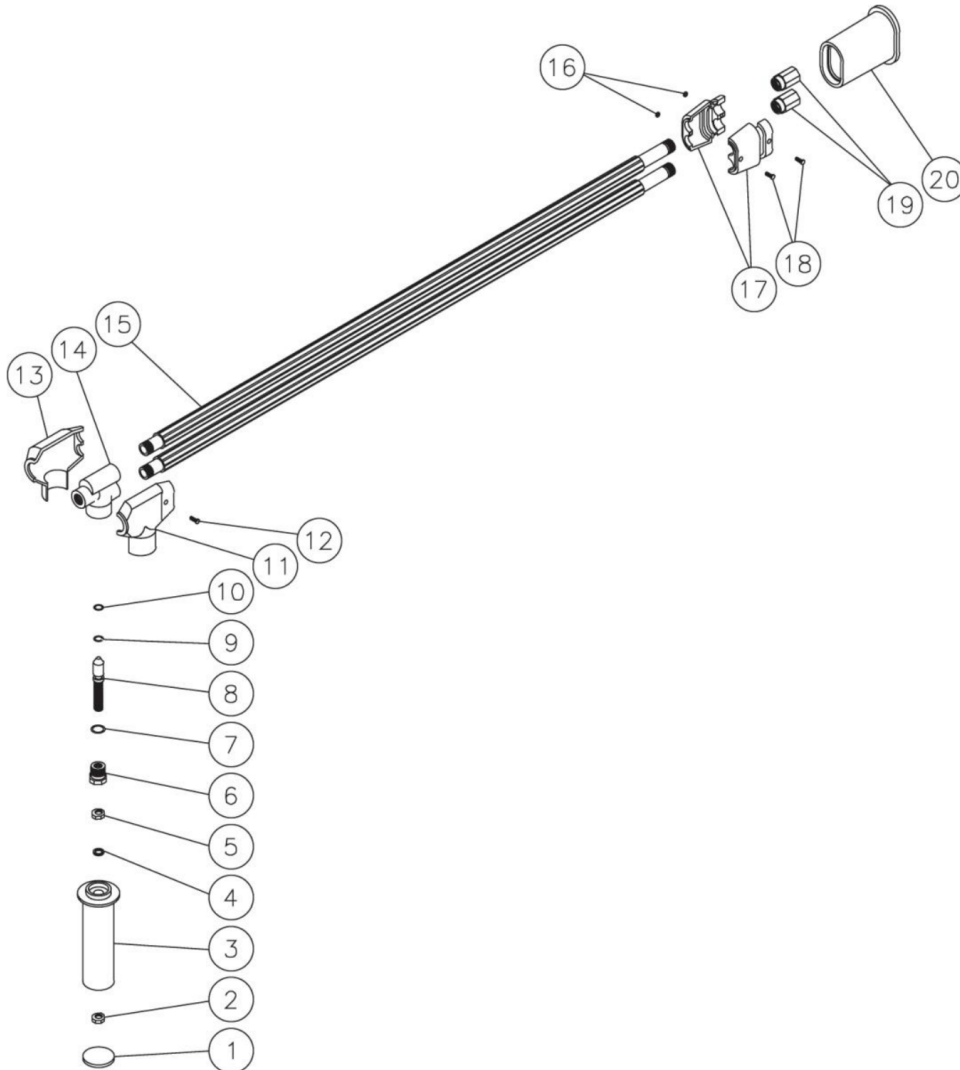
Id	Item #	Description	Quantity	Rev	Comments
1	16-0008	PLASTIC HOUSING	1		
2	27-3230	SCREW	2		
3	16-0012	BRASS HOUSING	1		
4	70-0055	GUN REPAIR KIT	1		
5	39-0024	BRASS PLUG	1		
6	16-0009	PLASTIC COVER	1		
7	16-0013	PIPE ASSEMBLY	1		
8	16-0063	TRIGGER PIN	1		
9	16-0010	TRIGGER/SAFETY LOCK-OFF	1		

Id	Item #	Description	Quantity	Rev	Comments
10	16-0016	PIPE ASSEMBLY- INLET	1		
	16-0001	COMPLETE GUN ASSEMBLY	1		



HS-3008-0MGH / HS-3008-0MGH (sn:0-99999999)

ANGLED DUAL LANCE



Id	Item #	Description	Quantity	Rev	Comments
1	16-0312	HANDLE PLUG	1		
2	30-3002	HEX NUT	1		
3	16-0313	HANDLE	1		
4	28-1021	WASHER	1		
5	30-3010	HEX NUT	1		
6	23-0271	HEX ADAPTER	1		
7	25-0351	O-RING	1		

Id	Item #	Description	Quantity	Rev	Comments
8	16-0314	PISTON STEM	1		
9	25-0352	BACK-UP RING	1		
10	25-0353	O-RING	1		
11	16-0315	UPPER PROTECTOR	1		
12	27-8862	SELF TAPPING SCREW	1		
13	16-0316	LOWER PROTECTOR	1		
14	23-0272	BODY	1		
15	N/A	ANGLED LANCE W/PROTECTIVE COVER	2		
16	30-3060	HEX NUT	2		
17	16-0318	PIPE CLAMP	2		
18	27-8861	SCREW	2		
19	24-0127	NIPPLE	2		
20	16-0319	NOZZLE PROTECTOR	1		
	70-0143	O-RING KIT (INC. 7, 9, 10)			