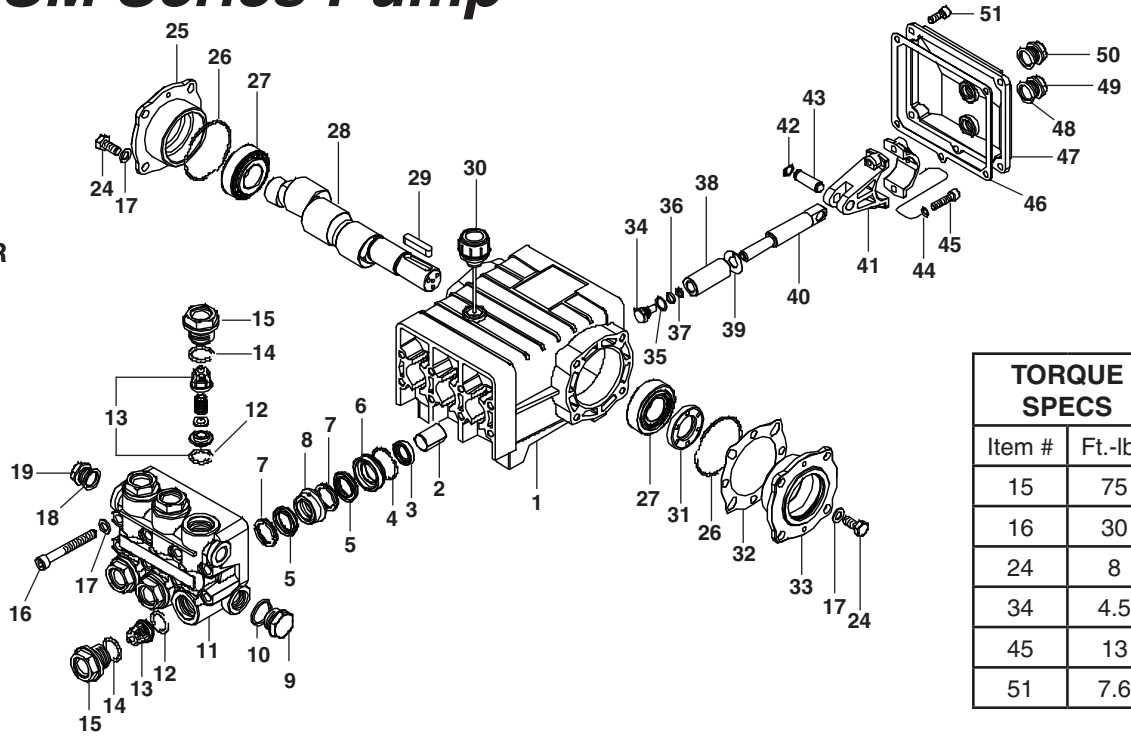




# SM Series Pump

- 5-1412 SM 3540
- 5-1410 SM 4030
- 5-1411 SM 4030L
- 5-1420 SM 4035
- 5-1421 SM 4035L
- 5-1422 SM 4035HR
- 5-1415 SM 5030
- 5-1414 SM 5030L



## PARTS LIST

ITEM	PART NO.	DESCRIPTION	QTY	ITEM	PART NO.	DESCRIPTION	QTY	ITEM	PART NO.	DESCRIPTION	QTY
1	70-020209	Crankcase	1	12*	70-060119	O-Ring Ø2.62 x 17.13	6	35*	70-140012	Copper Spacer	3
2	70-060201	Plunger Guide	3	13*	Kit 70-07	Valve Assembly	6	36*	70-060103	O-Ring Ø1.78 x 7.66	3
3*	Kit 70-08	Plunger Oil Seal	3	14*	70-060165	O-Ring Ø2.62 x 20.29	6	37*	70-000904	Teflon Ring	3
4*	70-060107	O-Ring Ø1.78 x 31.47	3	15	70-160130	Valve Plug	6	38*	Kit 70-05	Plunger (4035, 4035H)	3
5*	Kits 70-01,03 "V" Seal (4035)		6	16	70-180103	Manifold Stud Bolt	8	Kit 70-06	Plunger (4030, 5030)	3	
	Kits 70-02,04 "V" Seal (4030, 5030)		6	17	70-140001	Washer	16	39*	70-140015	Copper Spacer	3
6*	70-120106	Pressure Ring 18mm (4035)	3	18	70-060306	Copper Washer 3/8	1	40	70-000301	Plunger Rod	3
	70-120105	Pressure Ring 20mm (4030, 5030)	3	19	70-160117	Brass Plug 3/8	1	41	70-010001	Connecting Rod	3
7*	70-030007	Support Ring 18mm (4035)	6	24	70-180203	Hexagonal Screw	8	42	70-150001	Snap Ring	6
	70-030009	Support Ring 20mm (4030, 5030)	6	25	70-050051	Closed Bearing Housing	1	43	70-150201	Connecting Rod Pin	3
8*	70-030011	Intermed. Ring 18mm (4035)	3	26	70-060163	O-Ring Ø1.78 x 60.05	2	44	70-140102	Spring Washer	6
	70-030010	Intermed. Ring 20mm (4030, 5030)	3	27	70-020003	Tapered Roller Bearing	2	45	70-180105	Connecting Rod Screw	6
9	70-160120	Brass Plug 1/2"	1	28	70-000485	Crankshaft (5030)	1	46	70-060009	Cover Gasket	1
10	70-060307	Copper Washer 1/2"	1		70-000486	Crankshaft (4030,4035/H)	1	47	70-020350	Crankcase Cover	1
11	70-160216	Manifold Head	1	29	70-020604	Crankshaft Key	1	48	70-060302	Gasket, G3/8	1
				30	70-160006	Oil Dip Stick	1	49	70-160117	Brass Plug 3/8	1
				31	70-000102	Crankshaft Seal	1	50	70-070001	Sight Glass G3/8	1
				32	70-030102	Shim	2	51	70-180112	Cover Screw	5
				33	70-050050	Bearing Housing	1	52	70-000929	▲ Bach Ring 1/2" (4035H)	3
				34*	70-180001	Plunger Bolt	3				

\* Available in kit (See below) ▲ Not Shown

## REPAIR KITS

REPAIR KIT NUMBER	70-261216	70-260821	70-260824	70-261210	70-260810	70-260825	70-261217	70-260822	70-260823	70-260007	70-260027
KIT DESCRIPTION	*Plunger Seal 4035	Plunger Seal 4030 5030	Plunger Seal 3540	**Complete Seal Packing 4035	Complete Seal Packing 4030 5030	Complete Seal Packing 3540	Plunger GM-4035 4035H	Plunger 4030 5030	Plunger 3540	Complete Valve	Plunger Oil Seals
ITEM NUMBERS INCLUDED	4, 5, 7	4, 5, 7	4, 5, 7	3, 4, 5, 6, 7, 8	3, 4, 5, 6, 7, 8	3, 4, 5, 6, 7, 8	34, 35, 36, 37, 38, 39	34, 35, 36, 37, 38, 39	34, 35, 36, 37, 38, 39	12, 13, 14	3
NUMBER OF CYLINDERS KIT WILL SERVICE	3	3	3	1	1	1	1	1	1	6	3

\* For 4035H High Heat Packings, Use 70-261212

\*\*For 4035H High Heat Packings, Use 70-261213