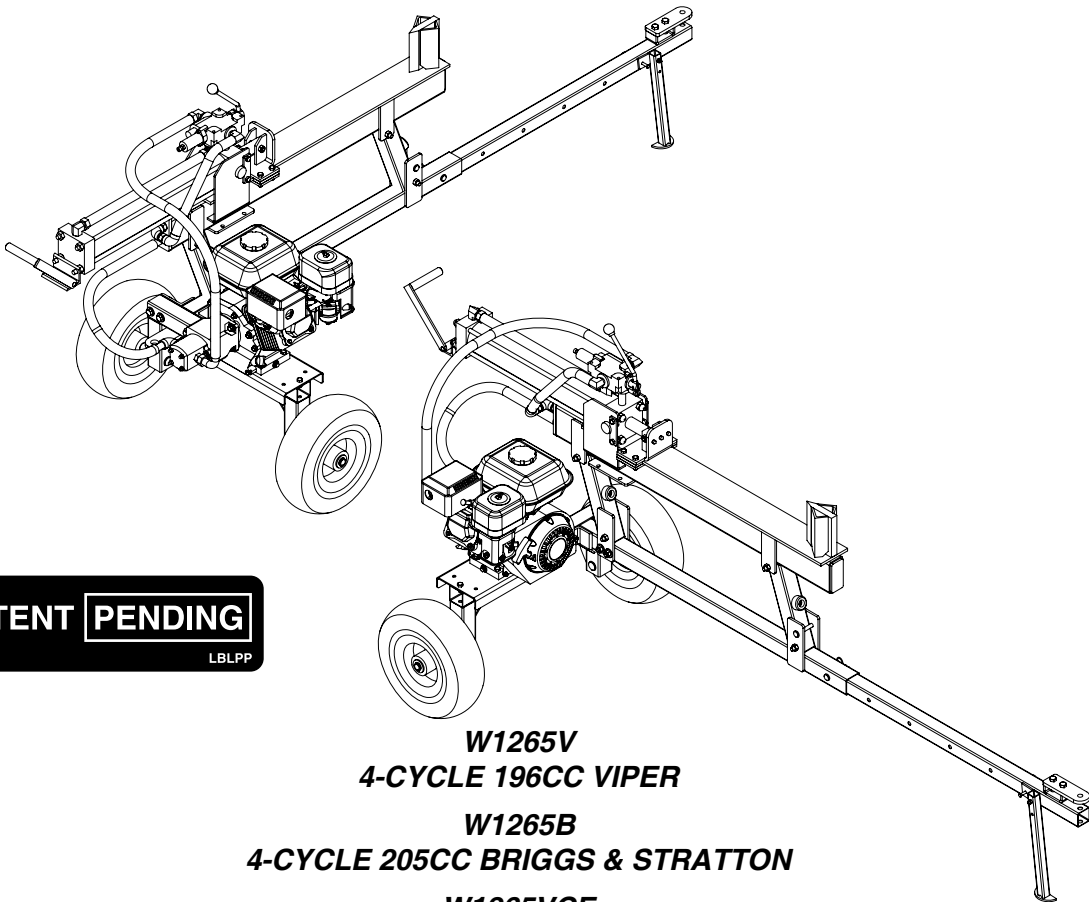


Earthquake[®]

TRAIL WARRIOR QUICK SPLIT 12 TON LOG SPLITTER OPERATOR'S MANUAL ORIGINAL INSTRUCTIONS



PATENT PENDING

LBLPP

**W1265V
4-CYCLE 196CC VIPER**

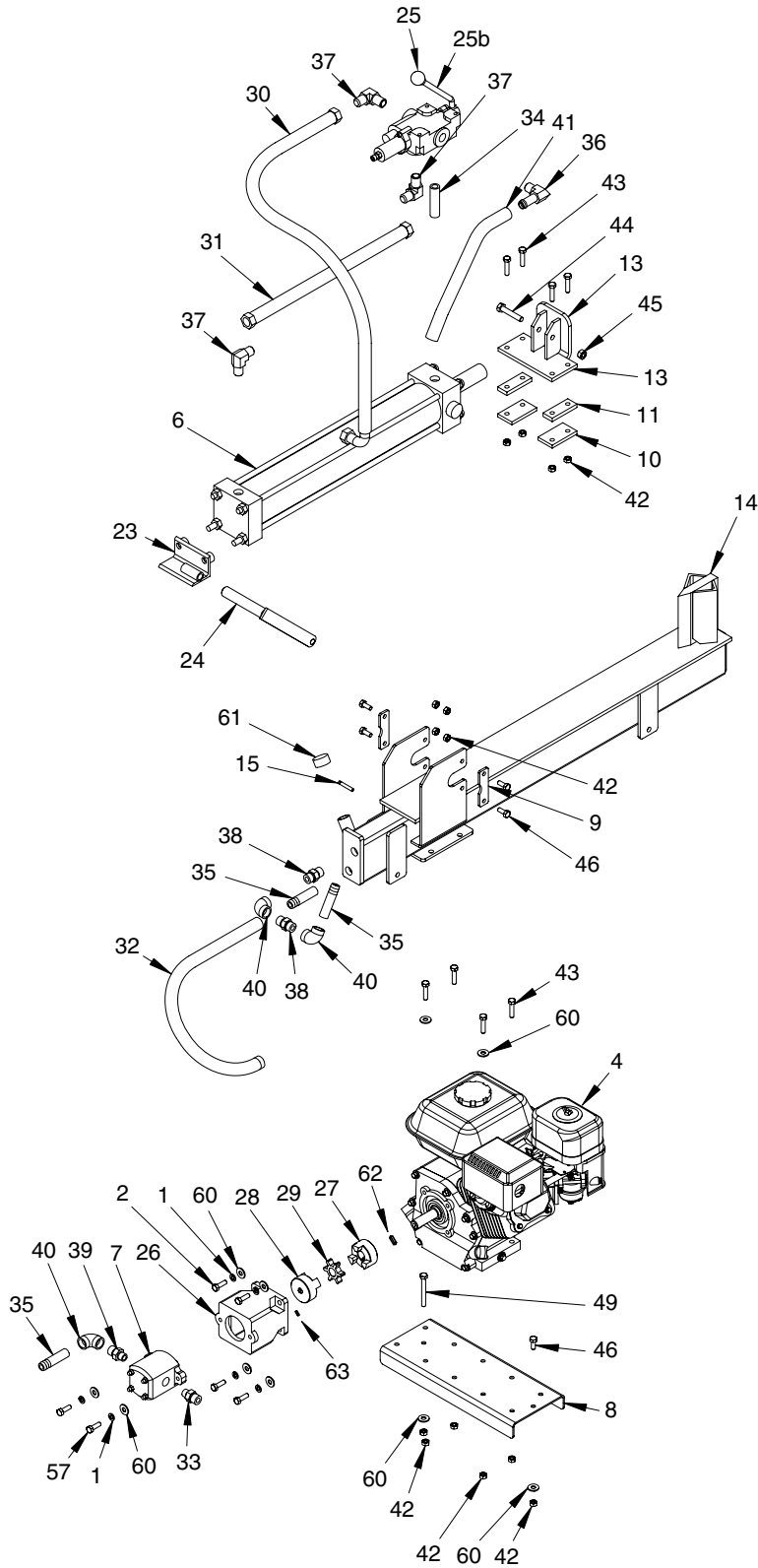
**W1265B
4-CYCLE 205CC BRIGGS & STRATTON**

**W1265VCE
4-CYCLE 196CC VIPER (EUROPEAN)**

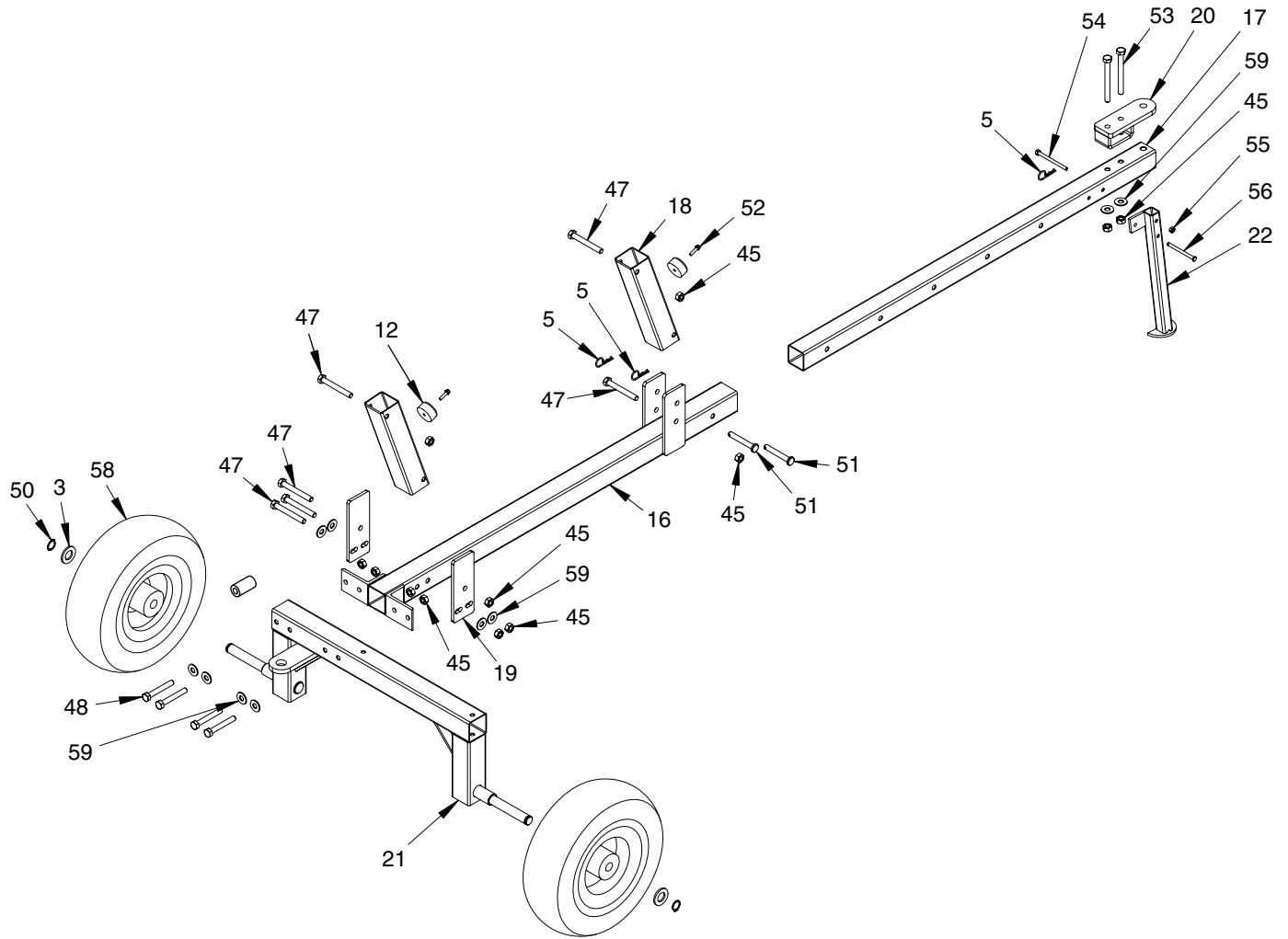
**W1265BCE
4-CYCLE 205CC BRIGGS & STRATTON (EUROPEAN)**

OMW1265V
Rev. 09/14/10
© 2010 Ardisam, Inc.
All Rights Reserved.

W1265V PARTS DIAGRAM



W1265V PARTS DIAGRAM (CONT.)



W1265V PARTS LISTING

| KEY # | PART # | DESCRIPTION | QTY |
|-------|---------------|--|-----|
| 1 | 504 | LOCKWASHER-SPRING 5/16" | 6 |
| 2 | 810 | BOLT 5/16-24 X 1 HH GR5 | 4 |
| 3 | 4159 | WASHER 3/4" SPINDLE SAE | 2 |
| 4 | 31320 | ENGINE - 6.5 HP VIPER HORZ | 1 |
| 4 | 31338 | ENGINE 196CC HORIZONTAL VIPER | 1 |
| 4 | 60501* | BRIGGS & STRATTON 205CC* | 1 |
| 4 | 60501CE | ENGINE - 205CC BRIGGS & STRATTON (EUROPEAN) | 1 |
| 5 | HAIR5 | PIN OVAL HAIR PIN 5/16" Z | 3 |
| 6 | W1265V0100 | CYLINDER, HYDRAULIC 75MM X 21" TRUNNION MOUNT | 1 |
| 7 | W1265V0110 | PUMP, HYDRAULIC SINGLE STAGE 4 GPM | 1 |
| 8 | W1265V0205 | PLATE, ENGINE MOUNT 12 TON LOG SPLITTER | 1 |
| 9 | W1265V0209 | PLATE, RETAINER TRUNNION HYDRAULIC CYLINDER | 2 |
| 10 | W1265V0210 | PLATE, RETAINER PUSH BLOCK 12 TON LOG SPLITTER | 2 |
| 10 | W1265V0210A** | PLATE, RETAINER CAST STEEL PUSH BLOCK, 12 TON LOG SPLITTER | 2 |
| 11 | W1265V0211 | SPACER, PUSH BLOCK 12 TON LOG SPLITTER | 2 |
| 12 | W1265V0216 | BUMPER, PAD 12 TON LOG SPLITTER LIFT | 2 |
| 13 | W1265V0218 | WELDMENT, PUSH BLOCK 12 TON LOG SPLITTER | 1 |
| 13 | W1265V0218A** | CAST STEEL, PUSH BLOCK 12 TON LOG SPLITTER | 1 |
| 14 | W1265V0219 | WELDMENT, BEAM 12 TON LOG SPLITTER | 1 |
| 15 | W1265V0220 | SCREW, AIR VENT | 1 |
| 16 | W1265V0300 | WELDMENT, TONGUE LOG SPLITTER TRAILER | 1 |
| 17 | W1265V0302 | EXTENSION, TONGUE LOG SPLITTER TRAILER | 1 |
| 18 | W1265V0303 | TUBE, RISER LOG SPLITTER TRAILER | 2 |
| 19 | W 1265V0304 | PLATE, RISER SUPPORT ADJ LOG SPLITTER TRAILER | 2 |
| 20 | W1265V0311 | WELDMENT, HITCH LOG SPLITTER TRAILER | 1 |
| 21 | W1265V0400 | WELDMENT, AXEL LOG SPLITTER TRAILER | 1 |
| 22 | W1265V0500 | WELDMENT, KICKSTAND LOG SPLITTER TRAILER | 1 |
| 23 | W1265V0600 | WELDMENT, LIFT HANDLE MOUNT 12 TON LOG SPLITTER | 1 |
| 24 | W1265V0608 | WELDMENT, LIFT HANDLE 12 TON LOG SPLITTER | 1 |
| 25 | W1265V0700 | VALVE, LOG SPLITTER WITH SPRING RETURN | 1 |
| 25B | W1265V0700K | HANDLE, VALVE WITH CLEVIS AND HAIR PINS | 1 |
| 26 | W1265V0801 | SPACER, HYDRAULIC PUMP 12 TON SPLITTER | 1 |
| 27 | W 1265V0802 | COUPLING, LOVE JOY 19MM BORE WITH SET SCREW | 1 |
| 28 | W1265V0803 | COUPLING, LOVE JOY 10MM BORE WITH SET SCREW | 1 |
| 29 | W1265V0804 | SPIDER, LOVE JOY L SERIES | 1 |
| 30 | W1265V0805 | HYDRAULIC HOSE 40 MPA WITH 1/7 JIC SWIVEL FITTINGS | 1 |

* For model W1265B only.

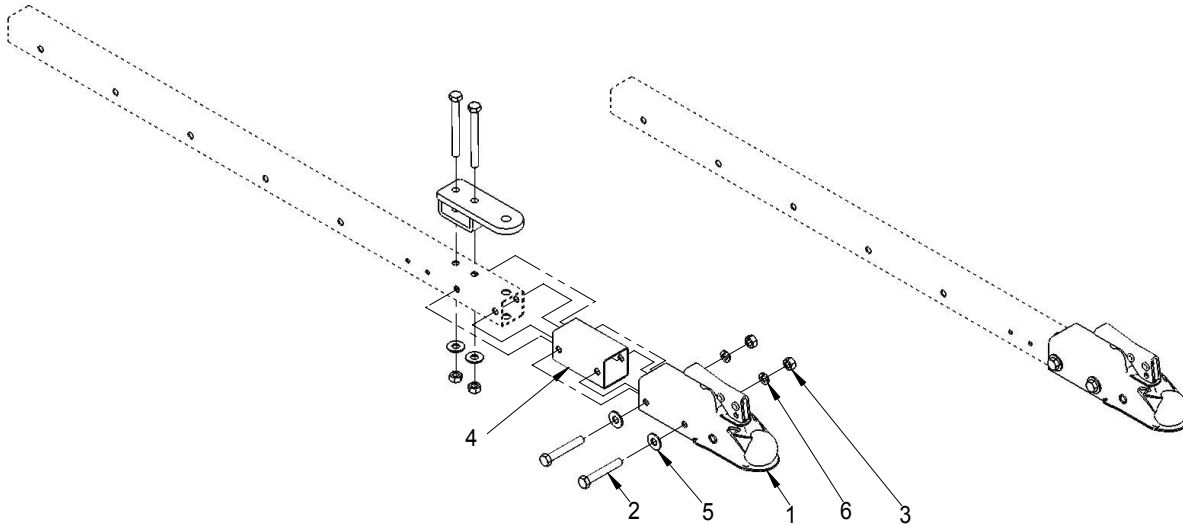
**These two alternate parts (W1265V0210A and W1265V0218A) are designed to go together. If using these two parts together, the spacer (PN1265V0211) is not required.



W1265V PARTS LISTING (CONT.)

| KEY # | PART # | DESCRIPTION | QTY |
|-------|--------------|--|-----|
| 31 | W1265V0806 | HOSE, HYDRAULIC 40 MPA WITH 1/2" JIC SWIVEL FITTINGS | 1 |
| 32 | W1265V0807 | HOSE, HYDRAULIC SUCTION PUMP SUPPLY LOG SPLITTER | 1 |
| 33 | W1265V0808 | FITTING, HYDRAULIC | 1 |
| 34 | W1265V0810 | PIPE, NIPPLE 1/2 NPT VALVE SPACER LOG SPLITTER | 1 |
| 35 | W1265V0811 | FITTING 1/2" NPT TO HOSE | 3 |
| 36 | W1265V0812 | FITTING, ELBOW 1/2" TO HOSE | 1 |
| 37 | W1265V0813 | FITTING, ELBOW 1/2" NPT TO 1/2" JIC | 3 |
| 38 | W1265V0814 | COUPLING 1/2" MALE TO MALE | 2 |
| 39 | W1265V0815 | COUPLING 1/2" TO 3/8" MALE TO MALE | 1 |
| 40 | W1265V0816 | ELBOW 1/2" NPT | 3 |
| 41 | W1265V0817 | HOSE, HYDRAULIC LOW PRESSURE RETURN | 1 |
| 42 | W1265V0900 | NUT, M8 NYLOCK ZINC GRADE 8.8 | 14 |
| 43 | W1265V0901 | BOLT, M8 X 35 HHCS ZINC GRADE 8.8 | 8 |
| 44 | W1265V0902 | BOLT, M10 X 70 HHCS ZINC GRADE 8.8 | 1 |
| 45 | W1265V0903 | NUT, M10 ZINC GRADE 8.8 | 13 |
| 46 | W1265V0904 | BOLT, M8 X 20 HHCS ZINC GRADE 8.8 | 5 |
| 47 | W1265V0905 | BOLT, M10 X 80 HHCS ZINC GRADE 8.8 | 6 |
| 48 | W1265V0902 | BOLT, M10 X 70 HHCS ZINC GRADE 8.8 | 4 |
| 49 | W1265V0907 | BOLT, M8 X 70 HHCS ZINC GRADE 8.8 | 1 |
| 50 | W1265V0908 | RING, RETAINING 3/4" EXTERNAL | 2 |
| 51 | W1265V0909 | PIN, CLEVIS M10 X 70 ZINC | 2 |
| 52 | W1265V0910 | SCREW, MACHINE SELF TAPPING | 2 |
| 53 | W1265V0911 | BOLT, M10 X 100 HHCS ZINC GRADE 8.8 | 2 |
| 54 | W1265V0912 | BOLT, M6 X 80 HHCS ZINC GRADE 8.8 | 1 |
| 55 | W1265V0913 | NUT, M6 NYLOCK GRADE 8.8 | 1 |
| 56 | W1265V0914 | PIN, CLEVIS M6 X 55 | 1 |
| 57 | W1265V0915 | BOLT, M8 X 25 HHCS ZINC GRADE 8.8 | 2 |
| 58 | W1265V1000 | TIRE & WHEEL WITH BEARING AND 3/4 HUB DIA | 2 |
| 59 | WF38 | WASHER FLAT 3/8 STANDARD ZINC | 10 |
| 60 | WF516 | WASHER FLAT 5/16" STANDARD ZN | 10 |
| 61 | W1265V020303 | FILLER CAP | 1 |
| 62 | 4352 | KEY 3/16 X 3/4 | 1 |
| 63 | W1265V0820 | KEY ROUNDED 3MM X 3MM X 10MM | 1 |

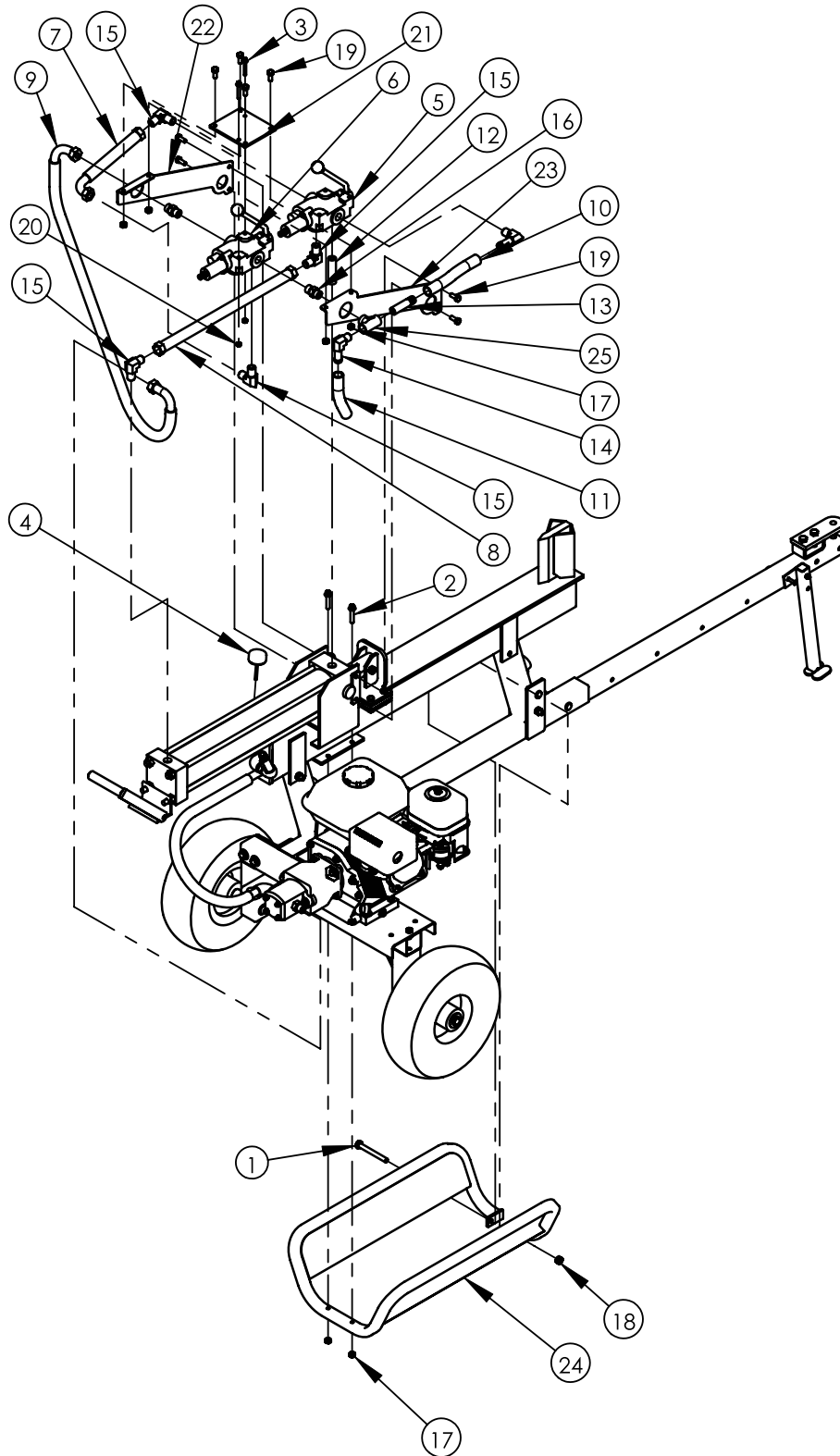
W1265V BALL HITCH CONVERSION KIT



+

W1265V BALL HITCH CONVERSION KIT (W1265V1102) PARTS LISTING

| KEY # | PART # | DESCRIPTION | QTY |
|-------|------------|-----------------------|-----|
| 1 | 4386 | 2" BALL HITCH COUPLER | 1 |
| 2 | W1265V0902 | BOLT, M10 X 70 | 2 |
| 3 | W1265V0903 | NUT, M10 | 2 |
| 4 | W1265V1101 | ADAPTER TUBE | 1 |
| 5 | WF38 | FLAT WASHER | 2 |
| 6 | 719 | SPRING LOCK WASHER | 2 |





W1265V PARTS LISTING

| KEY # | PART # | DESCRIPTION | QTY |
|-------|----------------|--|-----|
| 1 | 2109 | BOLT M10 X 90 HHCS ZINC GRADE 8.8 | 1 |
| 2 | 3316 | BOLT M8 X 1.25 X 90 HHCS GR 8.8 ZN | 2 |
| 3 | 400021 | BOLT FLANGE M6X40 | 2 |
| 4 | W1265V0221CE | ASSEMBLY, FILL CAP WITH DIPSTICK FOR 12 LS | 1 |
| 5 | W1265V0700ACE | VALVE, FORWARD CONTROL CE | 1 |
| 6 | W1265V0700BCE | VALVE, REAR CONTROL CE | 1 |
| 7 | W1265V0805CE | HYDRAULIC HOSE 40 MPA WITH 1/2" JIC SWIVEL FITTINGS | 1 |
| 8 | W1265V0806 | HOSE, HYDRAULIC 40 MPA WITH 1/2" JIC SWIVEL FITTINGS | 1 |
| 9 | W1265V0806CE | HYDRAULIC HOSE 40 MPA WITH 1/2" JIC SWIVEL FITTINGS | 1 |
| 10 | W1265V0807BCE | HOSE, LOW PRESSURE RETURN 7 INCH | 1 |
| 11 | W1265V0807CCE | HOSE, LOW PRESSURE RETURN 5 1/2 INCH | 1 |
| 12 | W1265V0810 | PIPE, NIPPLE 1/2 NPT VALVE SPACER LOG SPLITTER | 1 |
| 13 | W1265V0811 | FITTING 1/2" NPT TO HOSE | 1 |
| 14 | W1265V0812 | FITTING, ELBOW 1/2" TO HOSE | 2 |
| 15 | W1265V0813 | FITTING, ELBOW 1/2" NPT TO 1/2" JIC | 4 |
| 16 | W1265V0814 | COUPLING 1/2" MALE TO FEMALE | 2 |
| 17 | W1265V0900 | NUT, M8 NYLOCK ZINC GRADE 8.8 | 6 |
| 18 | W1265V0903 | NUT M10 HNYLK GR8.8 ZN | 1 |
| 19 | W1265V0904 | BOLT, M8 X 20 HHCS ZINC GRADE 8.8 | 8 |
| 20 | W1265V0913 | NUT M6 X 1.0 HNYLK GR8.8 ZN | 2 |
| 21 | W1265V1001CE | PLATE, 2ND VALVE MOUNT | 1 |
| 22 | W1265V1002CE | SUPPORT, LEFT 2ND VALVE MOUNT | 1 |
| 23 | W1265V100201CE | SUPPORT, RIGHT 2ND VALVE MOUNT | 1 |
| 24 | W1265V2101 | WELDMENT, LOG CRADLE 12 TON SPLITTER | 1 |
| 25 | W1265V0812CE | TEE 1/2" NPT | 1 |