



SPARE PARTS

HTC GL 450 V.2

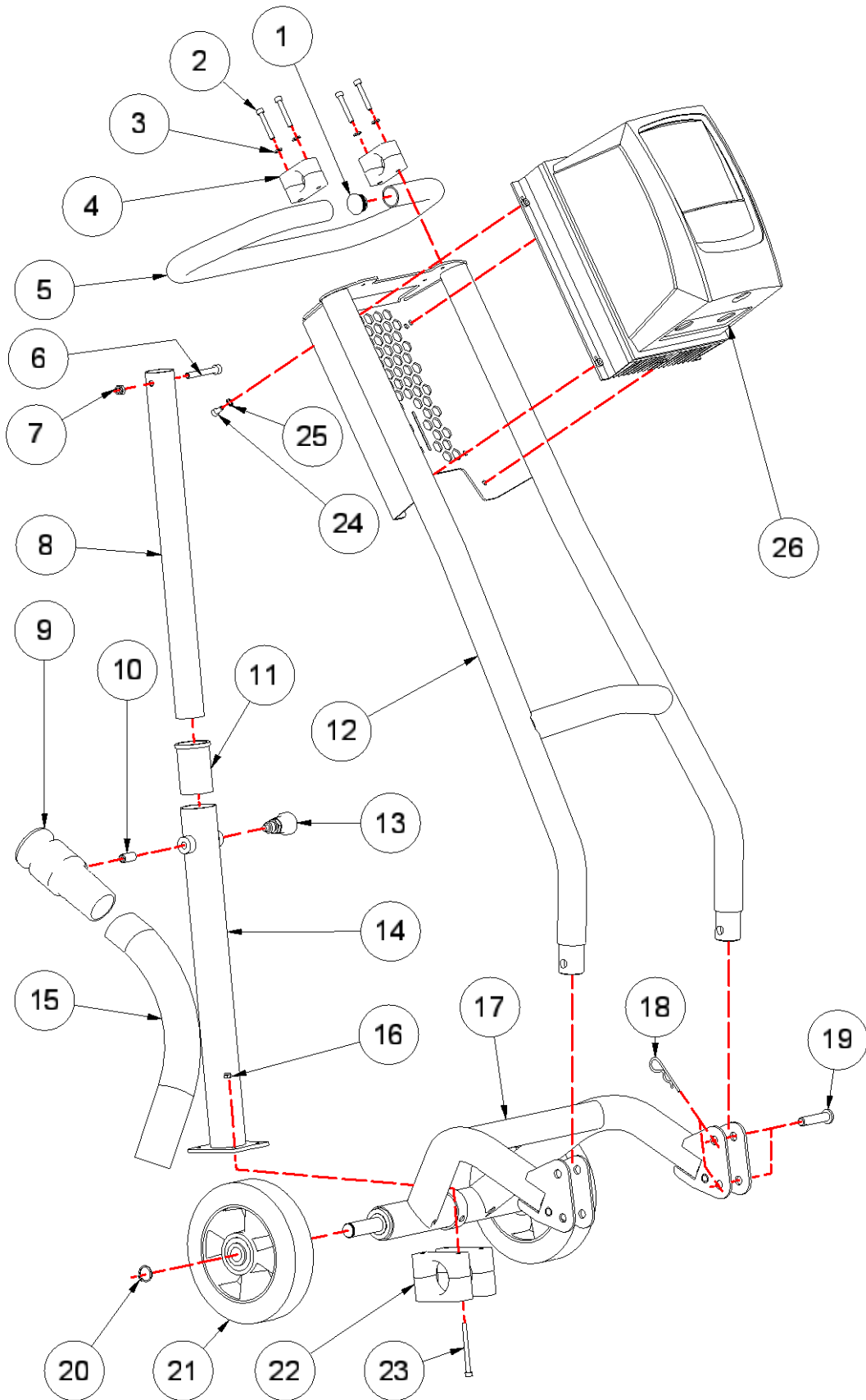
Translation of manual in original language



Table of contents

Greyline 450 V.2 Chassis	2
Greyline 450 V.2 Grinding head	4
Greyline 450 V.2 Grinding holder	8
Greyline V.2 Electrical – 1x115V 1.3Kw - 593548301.....	10
Greyline V.2 Electrical – 1x230V 2.2kW - 593548401.....	12

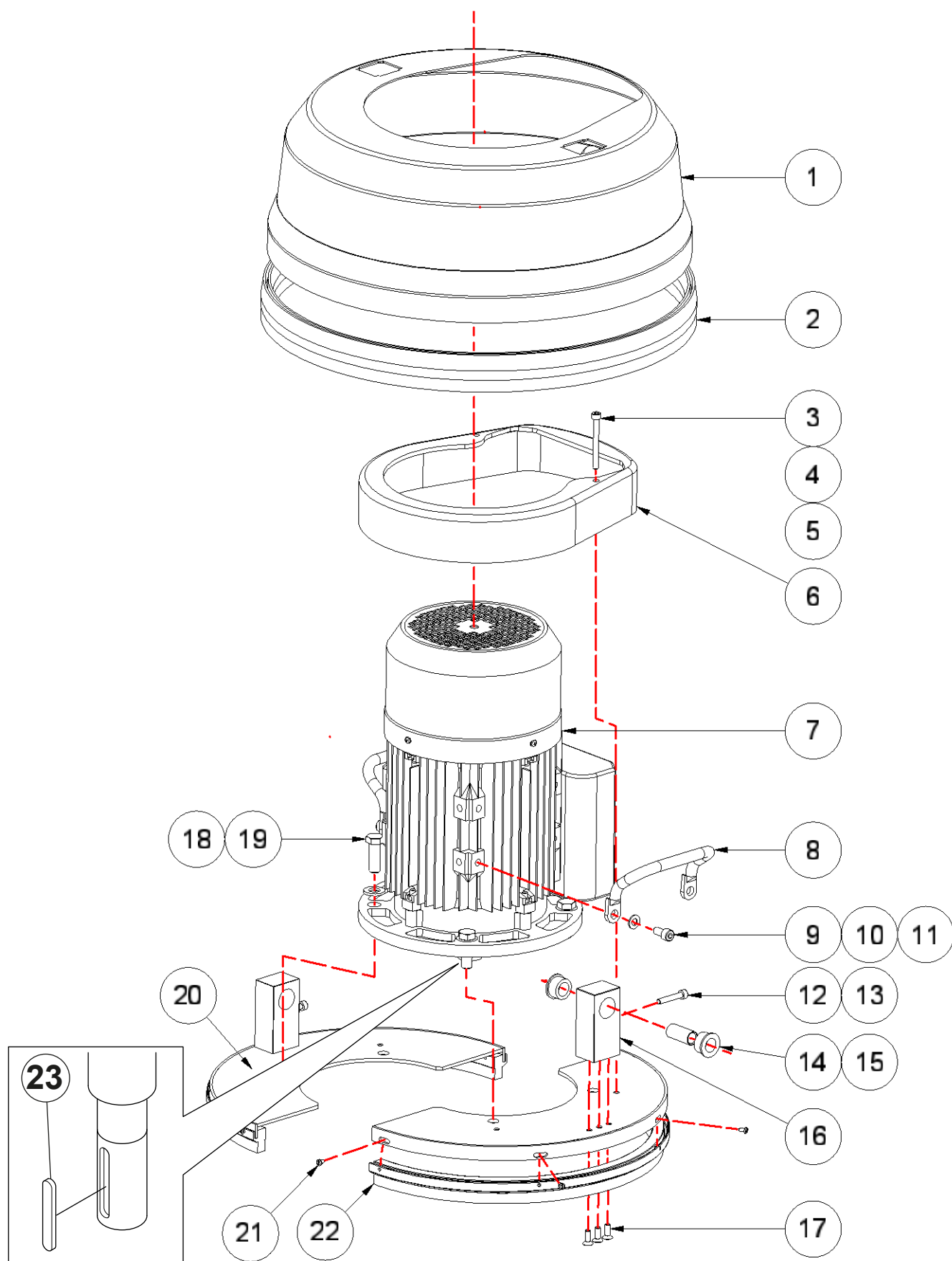
Greyline 450 V.2 Chassis



Greyline 450 V.2 Chassis

Item	Description	Part no	Qty
1	PIPE PLUG	593628901	2
2	SCREW M6X40	593630301	4
3	WASHER M6	593496001	4
4	PIPE CLAMP	593456701	4
5	CHASSIS HANDLE	593519401	1
6	SCREW M8X60	593500301	1
7	LOCK NUT M8	593499801	1
8	CHASSIS POSITIONER INNER TUBE	593519301	1
9	CAMLOCK MALE 2"	593460401	1
10	P6SS M12X25	593511201	1
11	CHASSIS POSITIONER GUIDE BUSH.	593524201	1
12	UPPER CHASSI	593532101	1
13	ADJUSTMENT BOLT	593456801	1
14	CHASSIS POSITIONER	593524101	1
15	HOSE 2"	593478401	0.57M
16	LOCK NUT M6	593500001	4
17	LOWER CHASSIS	593519201	1
18	LOCKING CLIP	593510801	4
19	PIN 12X55	593510701	4
20	CIRCLIP SGA 20	593496301	2
21	WHEEL	593408701	2
22	PIPE CLAMP	595633801	4
23	SCREW M6X70	593510201	4
24	SCREW M6X12	593500701	4
25	WASHER M6	593511001	4
26	POWER UNIT GL 1x115V 1.3KW	593548301	1
	POWER UNIT GL 1x230V 2.2KW	593548401	1

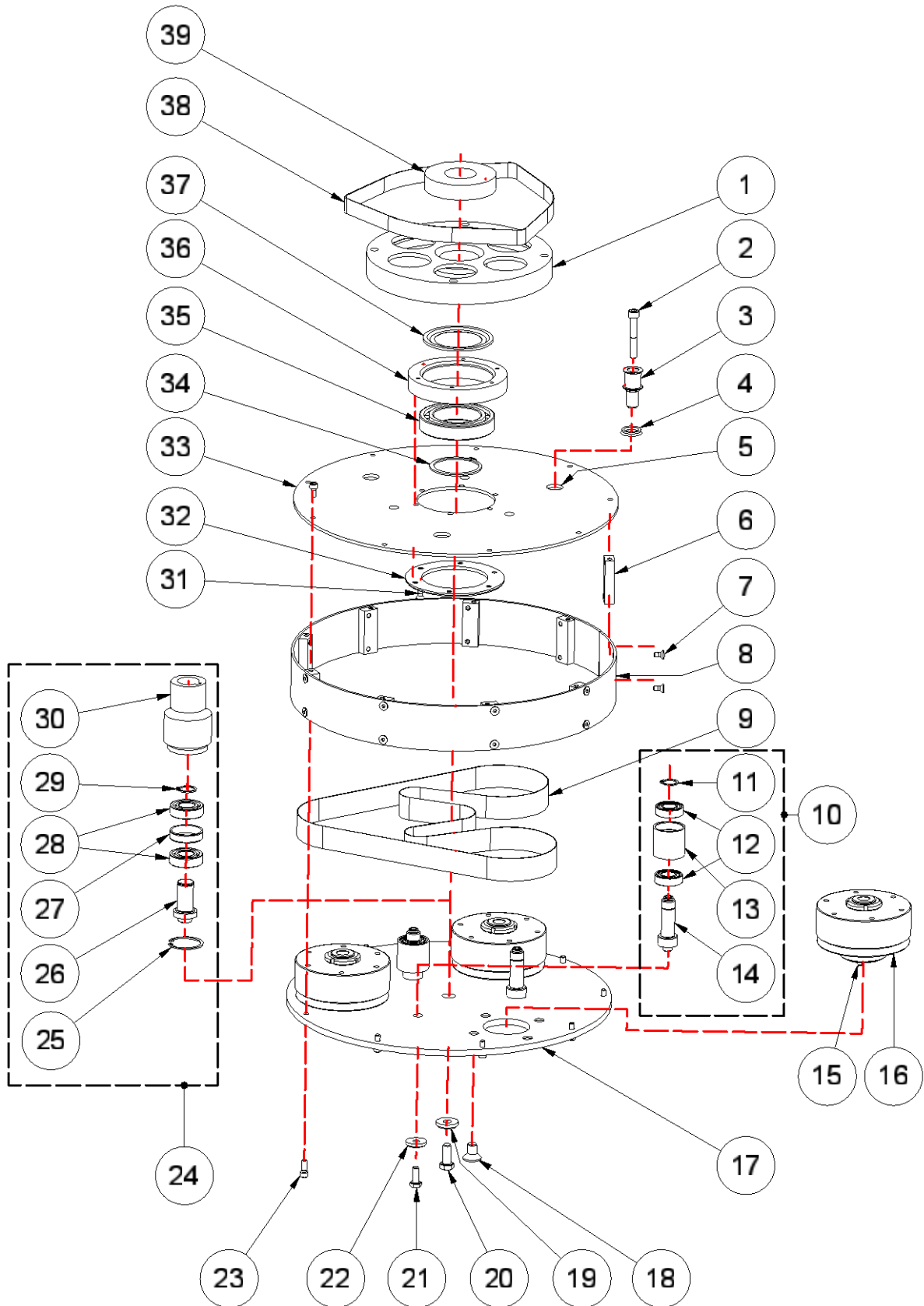
Greyline 450 V.2 Grinding head



Greyline 450 V.2 Grinding head

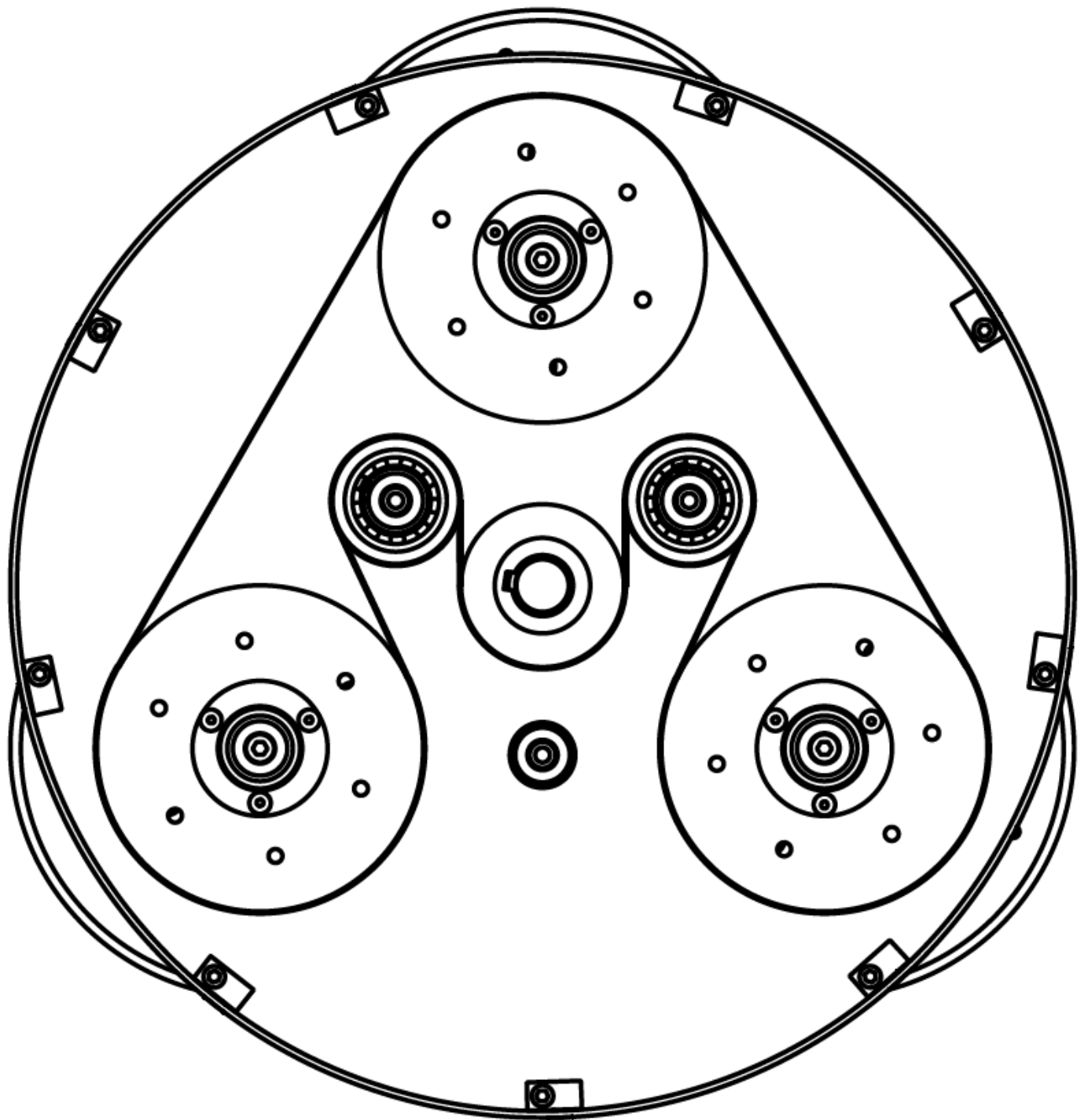
Item	Description	Part no	Qty
1	DUST COVER	593520101	1
2	BRUSH STRIP	593446101	1.5M
3	SCREW M6X10	593495401	2
4	SPACER M6X50	593582601	2
5	SCREW M6X16	593507801	2
6	COVER GUIDE	595754901	1
7	MOTOR 1.5KW	593555301	1
	MOTOR 2.2KW	593555401	1
8	LIFTING HANDLE	593532601	2
9	SCREW M8X25	593499601	4
10	WASHER M8	593500401	4
11	NUT M8	593504701	4
12	SCREW M6X35	593504201	2
13	NUT M6	593505501	2
14	RUBBER BUSHING	593520901	4
15	SLEEVE BUSHING	593519101	2
16	HINGE BRACKET	593519601	2
17	SCREW M6X16	593507801	6
18	WASHER M12	593499401	4
19	SCREW M12X35	593512901	4
20	SAFETY COVER COMPLETE	593533001	2
21	SCREW 3,5X13	593508301	8
22	BRUSH STRIP	593443301	2x0.58M
23	WEDGE MOTOR SHAFT 1,5kW	593557301	1

Greyline 450 V.2 Grinding head



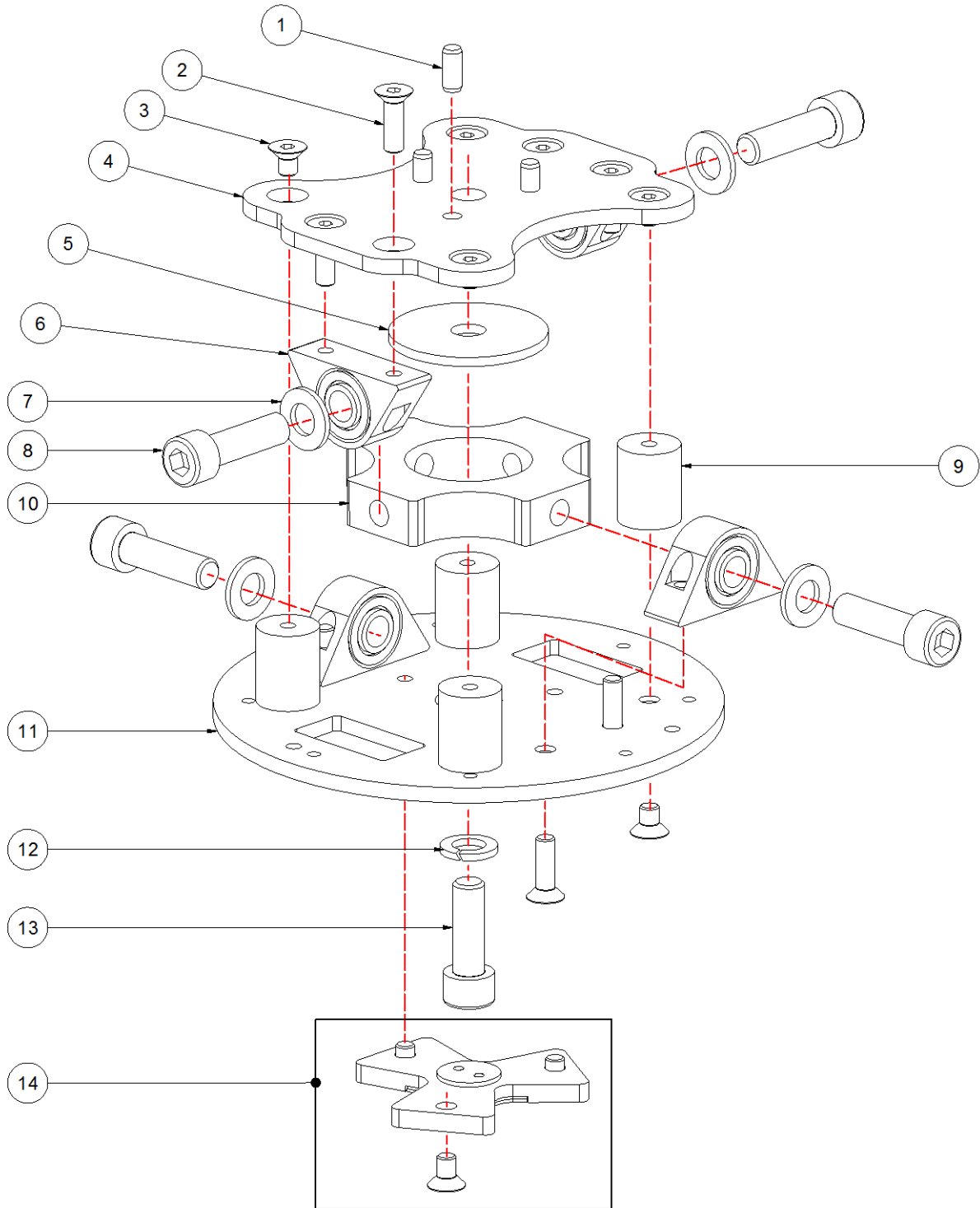
Greyline 450 V.2 Grinding head

Item	Description	Part no	Qty
1	MOTOR PLATE	593404101	1
2	SCREW M8X55	593506001	3
3	SHAFT UPPER BELT	593404001	3
4	SEALING V-RING	593405001	3
5	RADIAL SEAL	593464201	3
6	FIXING BOSS	593402401	9
7	SCREW M6X16	593507801	18
8	BORDER	593402201	1
9	BELT INNER FLAT	593377901	1
10	TENSIONING WHEEL COMPLETE	593404601	2
11	CIRCLIP SGA 18	593501401	2
12	BALL BEARING 6003	593415101	4
13	TENSIONING WHEEL	593403901	2
14	SHAFT PRESSWHEEL	593403801	3
15	CYLINDER PIN	593508401	9
16	HUB PACKAGE	593404401	3
17	LOWER LID	593401801	1
18	SCREW M12X20	593501801	12
19	WASHER M10	593498501	1
20	SCREW M10X25	593501101	1
21	SCREW M8X20	593503701	6
22	WASHER M8	593496201	6
23	SCREW M6X16	593500701	18
24	CENTER PULLEY COMPLETE	593404701	1
25	CIRCLIP SGH 42	593507401	1
26	SHAFT CENTERPULLEY	593403201	1
27	SPACER CENTRE HUB	593403501	1
28	BALL BEARING 6004	593415201	2
29	CIRCLIP SGA 20	593496301	1
30	CENTER PULLEY	593403301	1
31	SCREW M6X25	593507301	6
32	COVER CENTER	593401901	1
33	UPPER LID	593402501	1
34	CIRCLIP SGA 60	593496501	1
35	BALL BEARING 6012	593382101	1
36	HOUSING CENTRE	593403401	1
37	NILOS RING	593377701	1
38	BELT UPPER	593378001	1
39	FOAM RING	593408401	1



BELT ORIENTATION – HTC 450

Greyline 450 V.2 Grinding holder

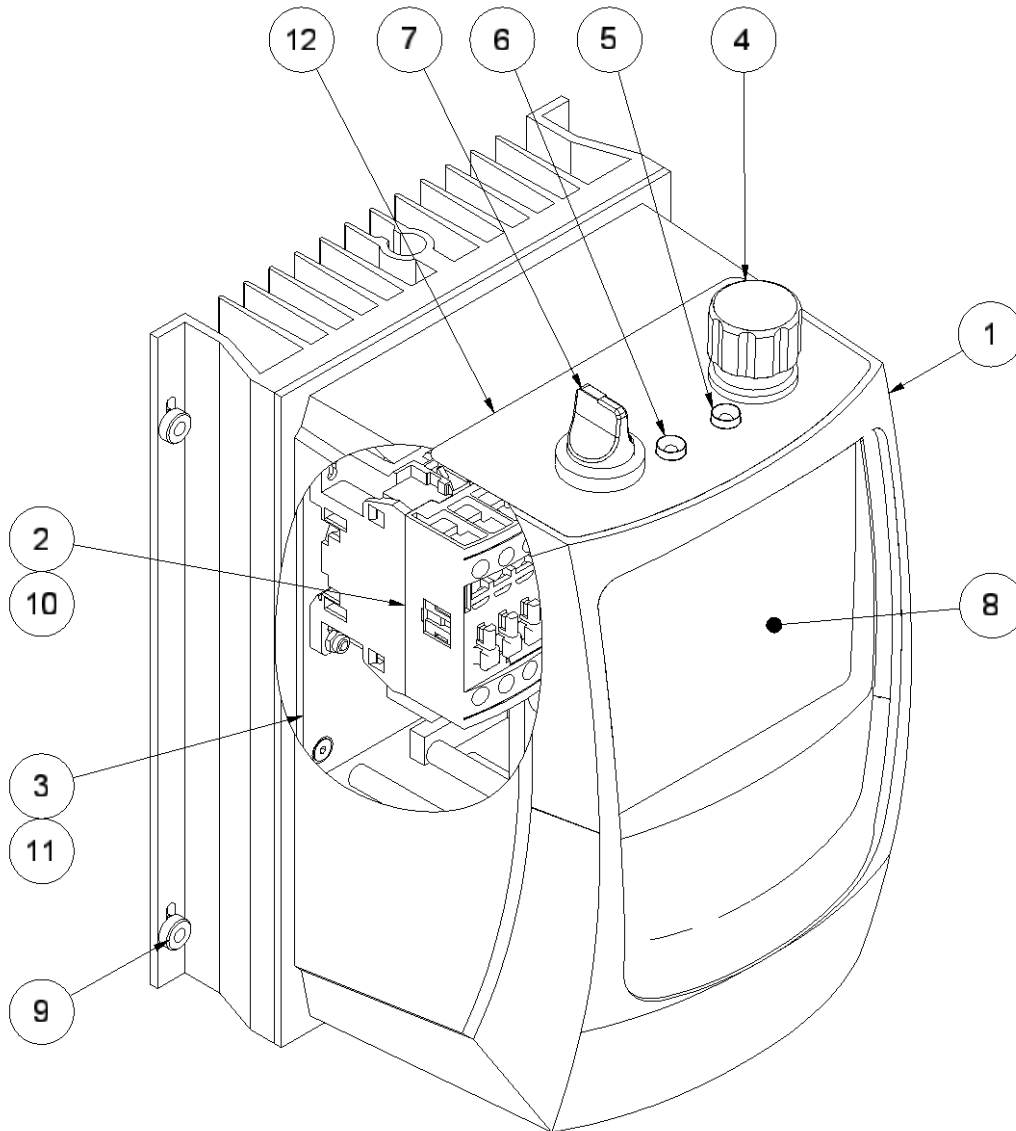


Greyline 450 V.2 Grinding holder

GRINDHOLDER COMPLETE – 112355

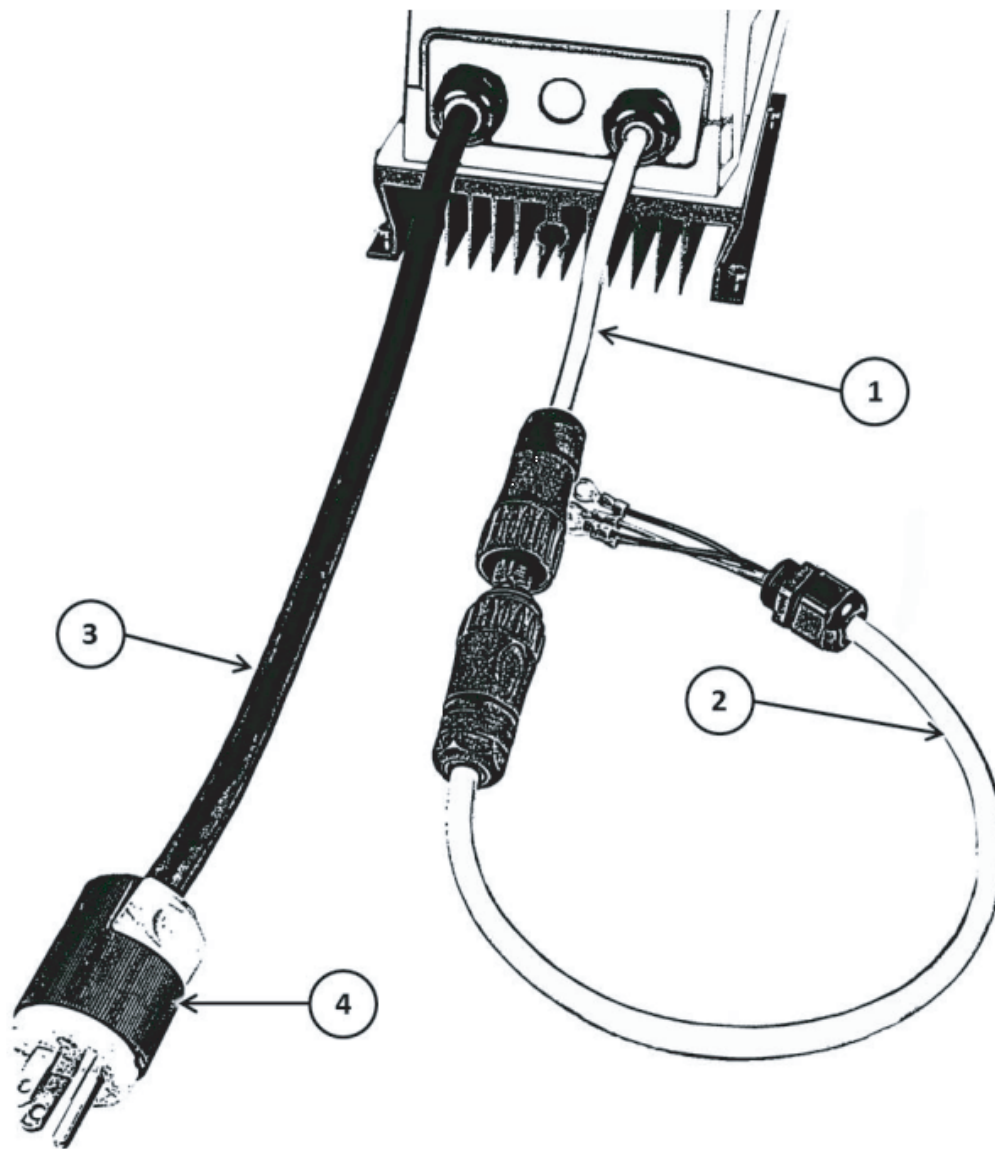
Item	Description	Part no	Qty
1	CYLINDER PIN CP 6X14	593508401	3
2	SCREW M6X20	593505101	8
3	SCREW M6X9	593501201	8
4	UPPER GRIND HOLDER PLATE	593440101	1
5	WASHER	593440001	1
6	EAR BUSHING CMPL.	593616401	4
7	WASHER M10	593499101	4
8	SCREW M10X35	593508101	4
9	SHOCK ABSORBER 20x25 M6	595748401	4
10	CARDAN CONNECTION	593440301	1
11	LOWER GRIND HOLDER PLATE	593440201	1
12	WASHER M10	593509901	1
13	SCREW M10X30	593504101	1
14	CROSS COMPLETE	593616301	1

Greyline V.2 Electrical – 1x115V 1.3Kw - 550224

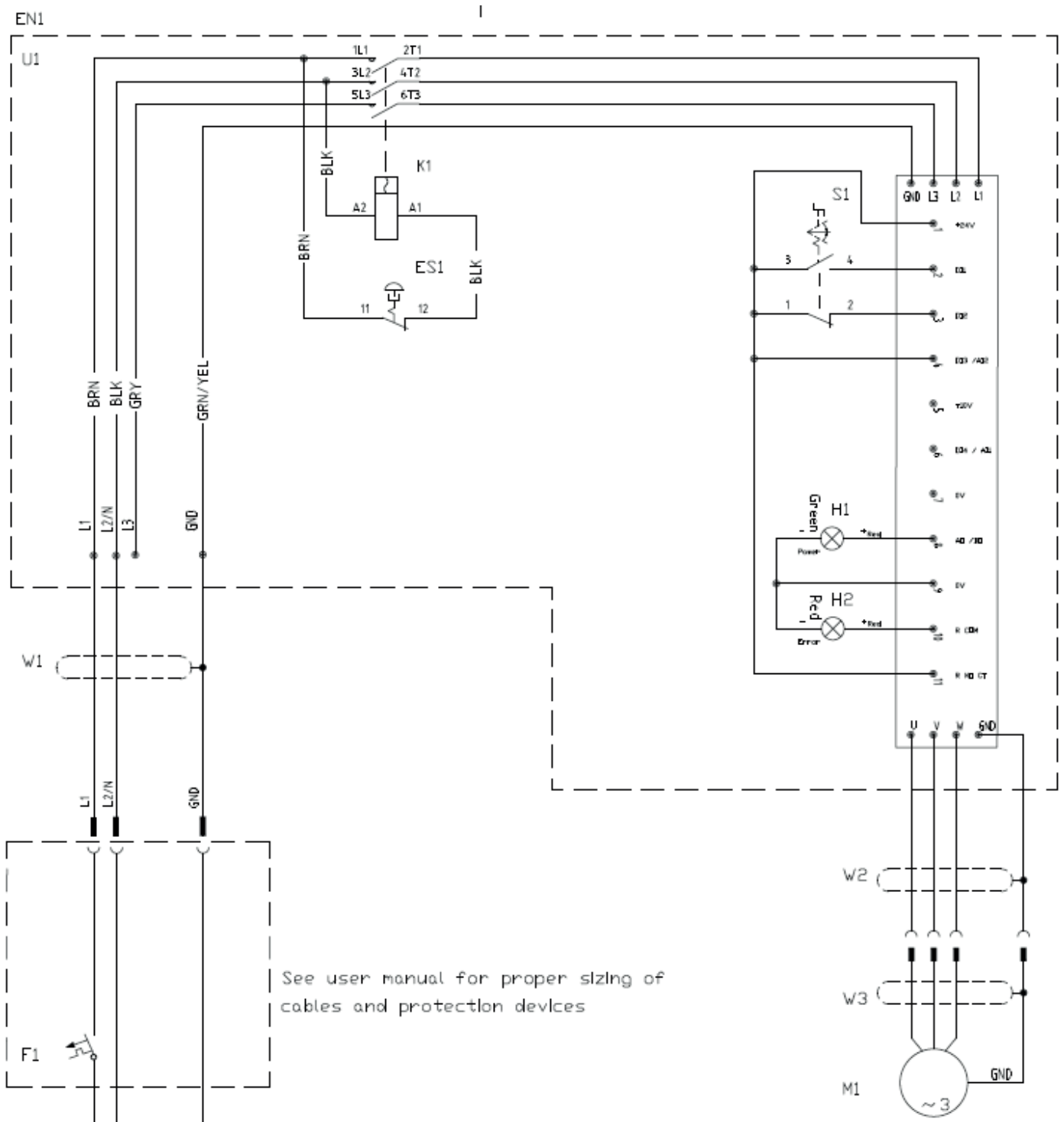


Item	Description	Part no	Qty
1	INVERTER GL V.2 1x115V 1.1kW	595738601	1
2	CONTACTOR	595738901	1
3	CONTACTOR PLATE	595704501	1
4	EMERGENCY STOP	594953301	1
5	LED RED	595739201	1
6	LED GREEN	595739101	1
7	SWITCH 3-POS RETURN	594953401	1
8	COVER PLATE	593532401	1
9	PRESS NUT M6	595679001	4
10	LOCK NUT M4	595672601	2
11	SCREW M4X8	593505601	2
12	OVERLAY	595647801	1

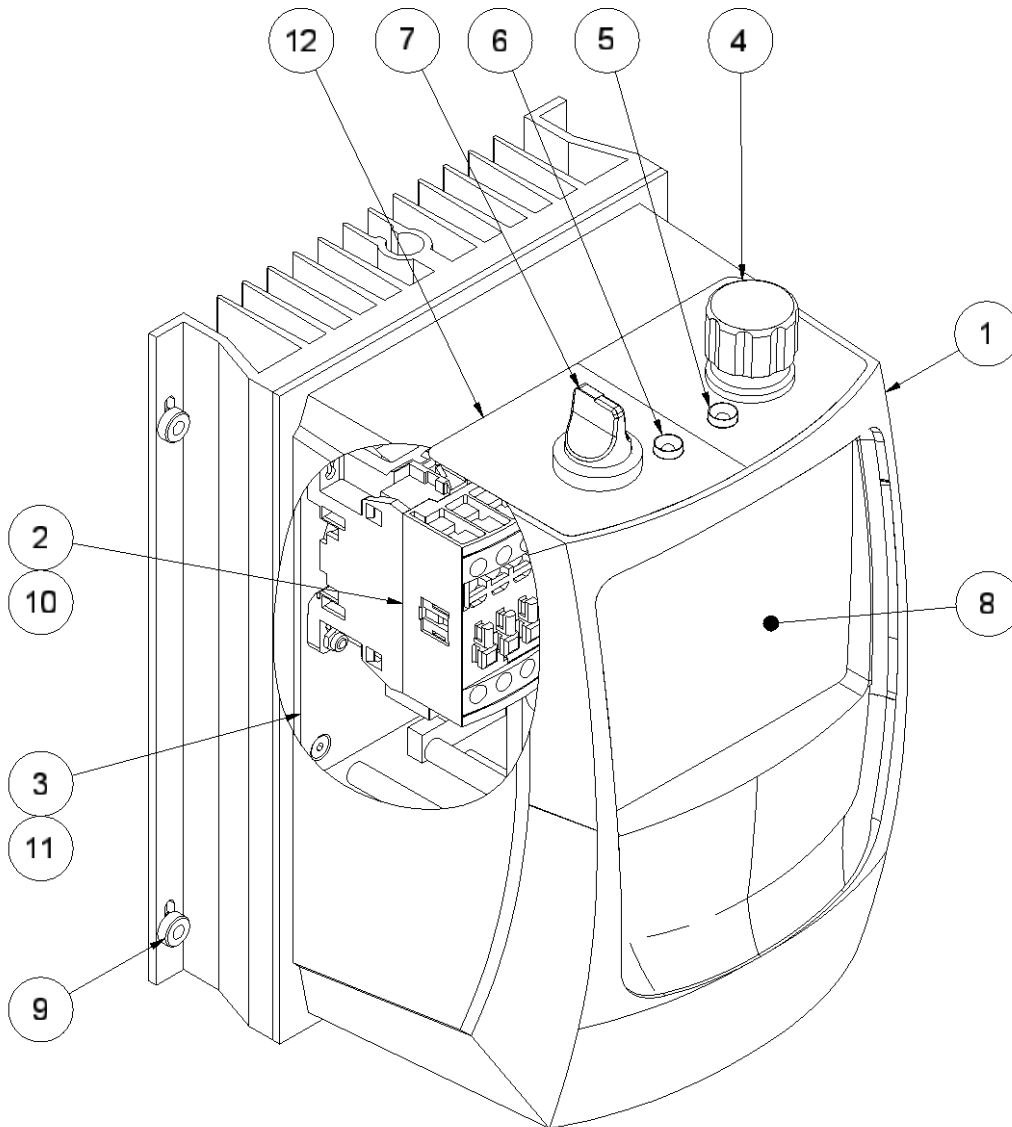
Greyline V.2 Electrical – 1x115 1.3Kw



Item	Description	Part no	Qty
1	MOTOR CABLE GL MALE	595728601	1
2	MOTOR CABLE GL FEMALE	595728701	1
3	POWER CABLE GL WITHOUT PLUG	595728301	1
4	PLUG	595785901	1

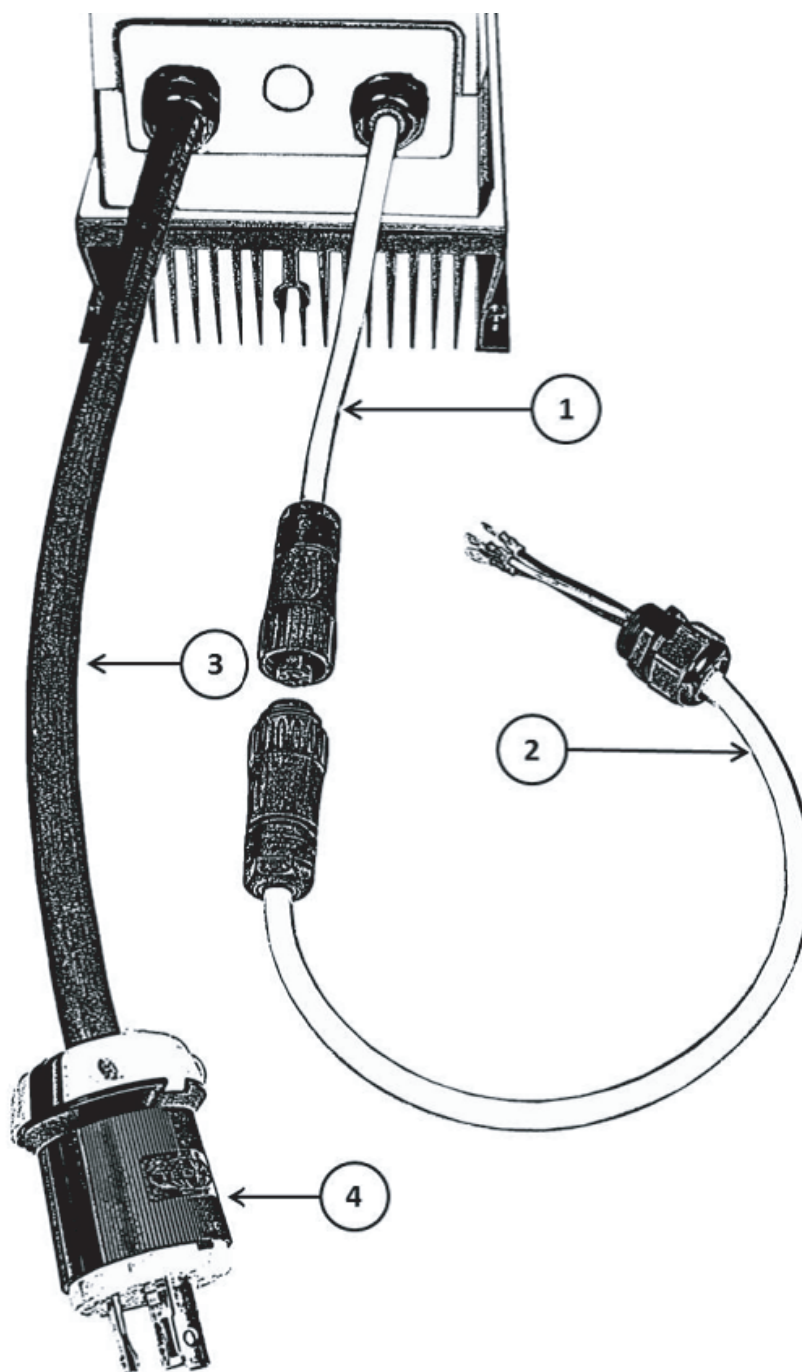


Greyline V.2 Electrical – 1x230V 2.2kW - 550225



Item	Description	Part no	Qty
1	INVERTER GL V.2 1x115V 1.1kW	595738701	1
2	CONTACTOR	595738901	1
3	CONTACTOR PLATE	595704501	1
4	EMERGENCY STOP	594953301	1
5	LED RED	595739201	1
6	LED GREEN	595739101	1
7	SWITCH 3-POS RETURN	594953401	1
8	COVER PLATE	593532401	1
9	PRESS NUT M6	595679001	4
10	LOCK NUT M4	595672601	2
11	SCREW M4X8	593505601	2
12	OVERLAY	595647801	1

Greyline V.2 – 1x230 2.2kW



Item	Description	Part no	Qty
1	MOTOR CABLE GL MALE	595728601	1
2	MOTOR CABLE GL FEMALE	595728701	1
3	POWER CABLE GL WITHOUT PLUG	595728401	1
4	PLUG	593476801	1

