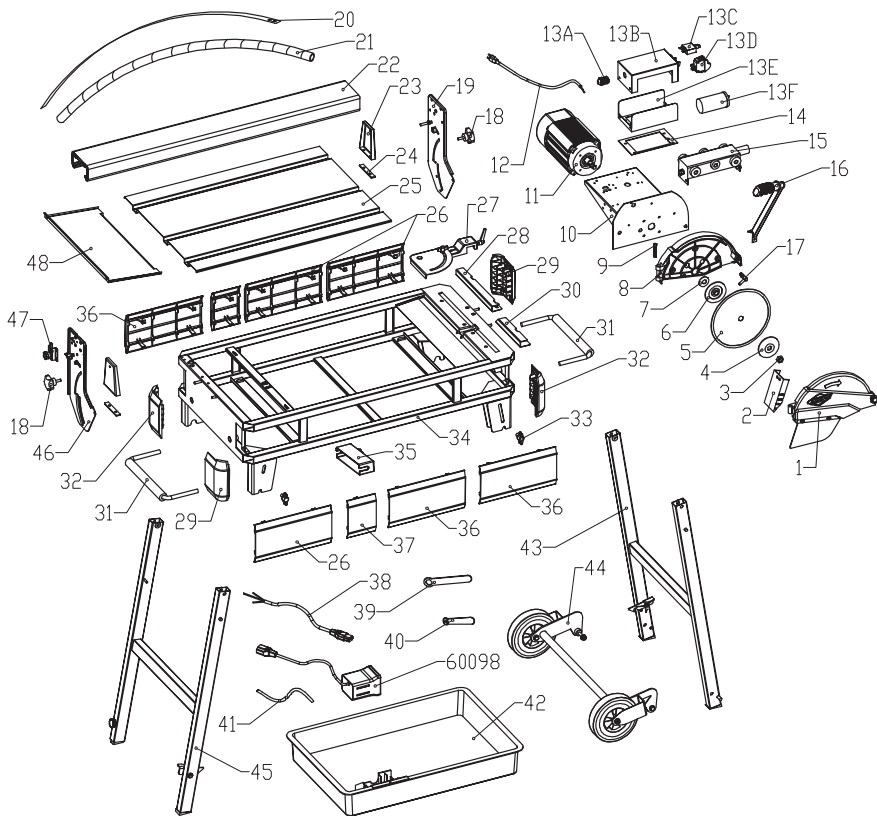


EXPLODED PARTS



| PART # | DESCRIPTION | QTY |
|---------------|-------------------------|------------|
| 83200Q-01 | Outer Blade Guard | 1 |
| 83200Q-02 | Water Spray Guard | 1 |
| 83200Q-03 | Nut | 1 |
| 83200Q-04 | Outside Flange | 1 |
| 83200Q-05 | 8inch Diamand Blade | 1 |
| 83200Q-06 | Inside flange | 1 |
| 83200Q-07 | Water Proof | 1 |
| 83200Q-08 | Inside Blade Guard | 1 |
| 83200Q-09 | Bolt | 1 |
| 83200Q-10 | Motor Fixture | 1 |
| 83200Q-11 | Motor | 1 |
| 83200Q-12 | Power Cable | 1 |
| 83200Q-13A | Cable Lock | 1 |
| 83200Q-13B | Connecting House Cover | 1 |
| 83200Q-13C | Circuit Breaker | 1 |
| 83200Q-13D | Switch | 1 |
| 83200Q-13E | Connecting House | 1 |
| 83200Q-13F | Capacitor | 1 |
| 83200Q-14 | Waterproof Pad | 1 |
| 83200Q-15 | Motor Trolley Guide | 1 |
| 83200Q-16 | Handle | 1 |
| 83200Q-17 | Water Pipe Connector | 1 |
| 83200Q-18 | Knob | 2 |
| 83200Q-19 | Right rail stand | 1 |
| 83200Q-20 | Resetable Sheet | 1 |
| 83200Q-21 | Protection Plastic Tube | 1 |
| 83200Q-22 | Slide Rail | 1 |
| 83200Q-23 | Rail Stand Fixture | 2 |
| 83200Q-24 | Pad | 2 |

| PART # | DESCRIPTION | QTY |
|---------------|---------------------------|------------|
| 83200Q-25 | Table | 1 |
| 83200Q-26 | Decorated Board I | 1 |
| 83200Q-27 | Measuring Guide | 1 |
| 83200Q-28 | Rear Fence | 1 |
| 83200Q-29 | Corner Decorated Board I | 1 |
| 83200Q-30 | Front Fence | 1 |
| 83200Q-31 | Pull-out Handle | 1 |
| 83200Q-32 | Corner Decorated Board II | 1 |
| 83200Q-33 | Butterfly Knob | 1 |
| 83200Q-34 | Main Frame | 1 |
| 83200Q-35 | Pump Connection Box Cover | 1 |
| 83200Q-36 | Decorated Board I | 1 |
| 83200Q-37 | Decorated Board Small | 1 |
| 83200Q-38 | Pump Cable | 1 |
| 83200Q-39 | Motor Shaft Wrench | 1 |
| 83200Q-40 | Hexagonal Blade Wrench | 1 |
| 60098 | Water Pump | 1 |
| 83200Q-41 | Water Tube | 1 |
| 83200Q-42 | Water Tray | 1 |
| 83200Q-43 | Left Stand | 1 |
| 83200Q-44 | Foot Wheel System | 1 |
| 83200Q-45 | Right Stand | 1 |
| 83200Q-46 | Left Rail Stand | 1 |
| 83200Q-47 | Seat for Resetable Sheet | 1 |
| 83200Q-48 | Splash Board | 1 |