

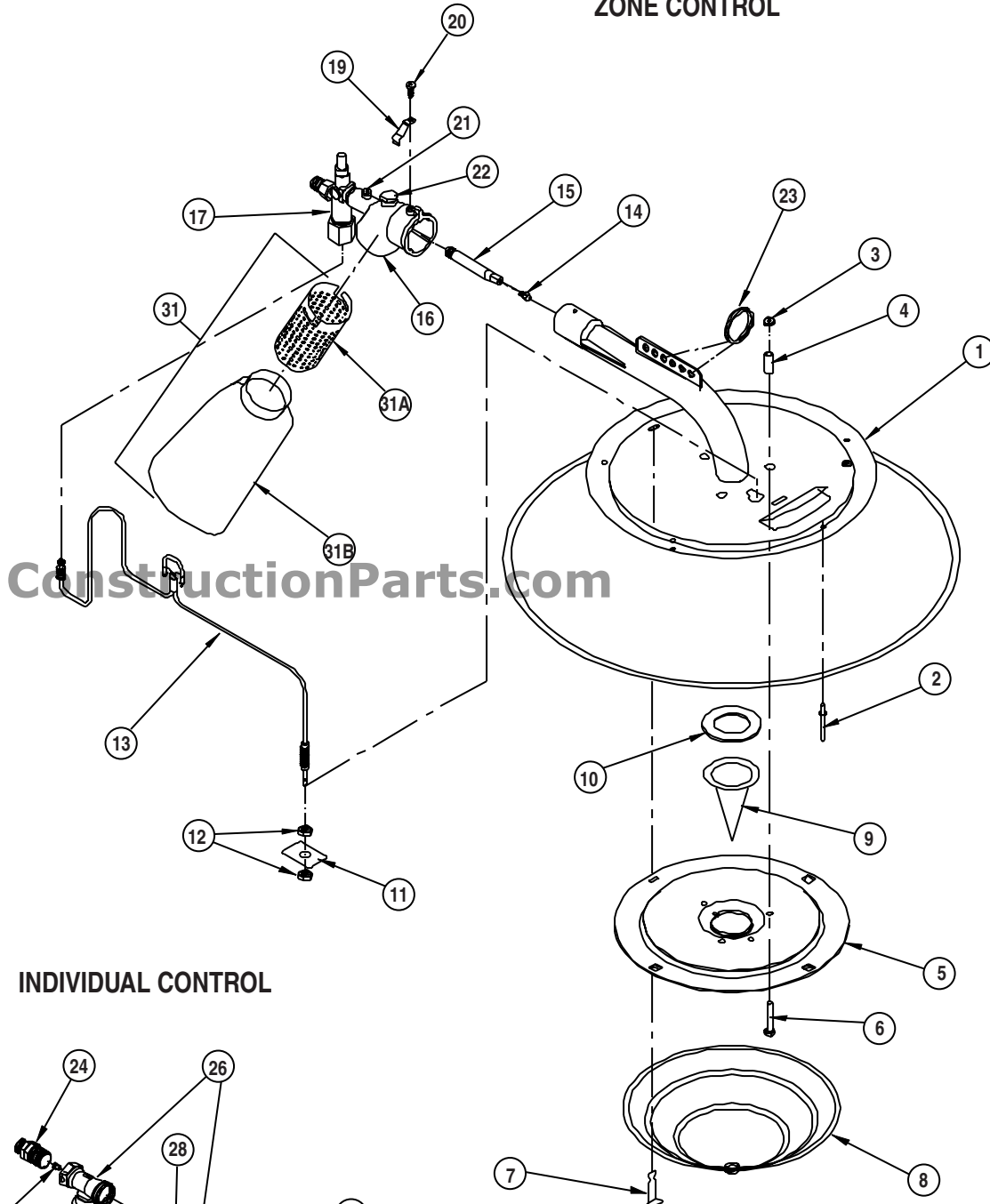
Parts Identification

Infraconic I-10 M
Model I-10A

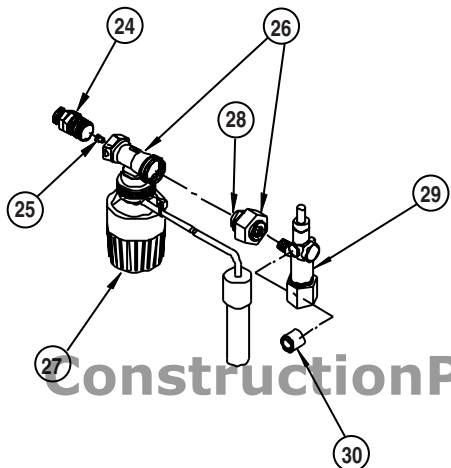
888-634-4289

PARTS SCHEMATIC

ZONE CONTROL



INDIVIDUAL CONTROL



ConstructionParts.com

888-634-4289

PARTS LIST

Item	Description	Part No.
1	Venturi Tube and Burner Assembly	23412
2	Rivet	09579
3	Nut	09578
4	Spacer	09568
5	Burner Plate	21953-01
6	Screw	09577
7	Truss	09599
8	Combustion Cone, Outer	22199
9	Combustion Cone, Inner	22200
10	Gasket	09586
10A	Combustion Cone Kit, Consisting of Items 8, 9 & 10	23416
11	Cover, Thermocouple	23315
12	Nuts	09576
13	Thermocouple	09574
14	Orifice, Primary	Propane Gas Natural Gas
		09594 09773
15	Injector Tube	09597
16	Injector Body	09591
17	Valve, Safety Control	22224
19	Clip, Thermocouple Retainer	09565
20	Screw	09575
21	Screw, Injector Tube	09572
22	Plug	20358
23	Key Ring	09620
24	Hose Adapter	09683
25	Orifice Bypass	Propane Gas Natural Gas
		09746 09747
26	Valve Body and Nut	Propane Gas Natural Gas
		09750 09751
27	Thermostatic Head with 6ft. Sensing Lead	09415
28	Adapter Sleeve	09682
29	Safety Control Valve (Individual Control)	23415
30	Cap	22195
31	Filter Kit	20427
31A	Sleeve	20321
31B	Filter	20361

OPTIONS (Not Illustrated):

Item	Description	Part No.
	Coupling, Quick Disconnect, Kit	21335
	Consisting Of:	
	Shut-Off Valve	05548
	Nipple, 1/4 in. Close	01142
	Coupling, Quick Disconnect	21328
	Bushing, 1/2 x 1/4	01519
Hoses	1/4 in. x 6 ft., Rigid x Swivel, Poultry	20495
	1/4 in. x 10 ft., Rigid x Swivel, Poultry	20496
	1/4 in. x 12 ft., Rigid x Swivel, Poultry	20497
	1/4 in. x 6 ft., Swivel Both Ends, Swine	20499
	1/4 in. x 10 ft., Swivel Both Ends, Swine	20242
	1/4 in. x 15 ft., Swivel Both Ends, Swine	20500
	Kit, 1/8 NPT Fitting (Not Illustrated)	234061