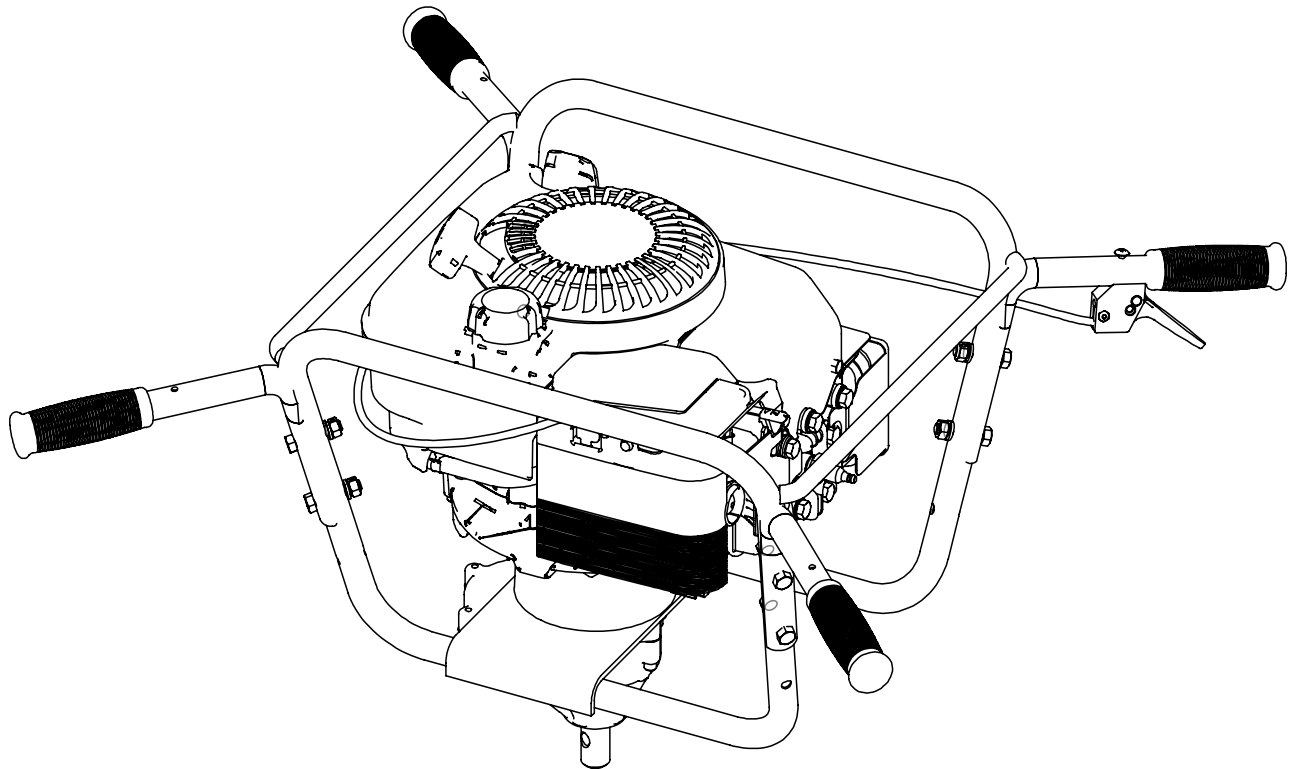




Operator's Manual
Original Operating Instructions
**Two-Man
Earth Auger Powerhead
9800 Series**

SN

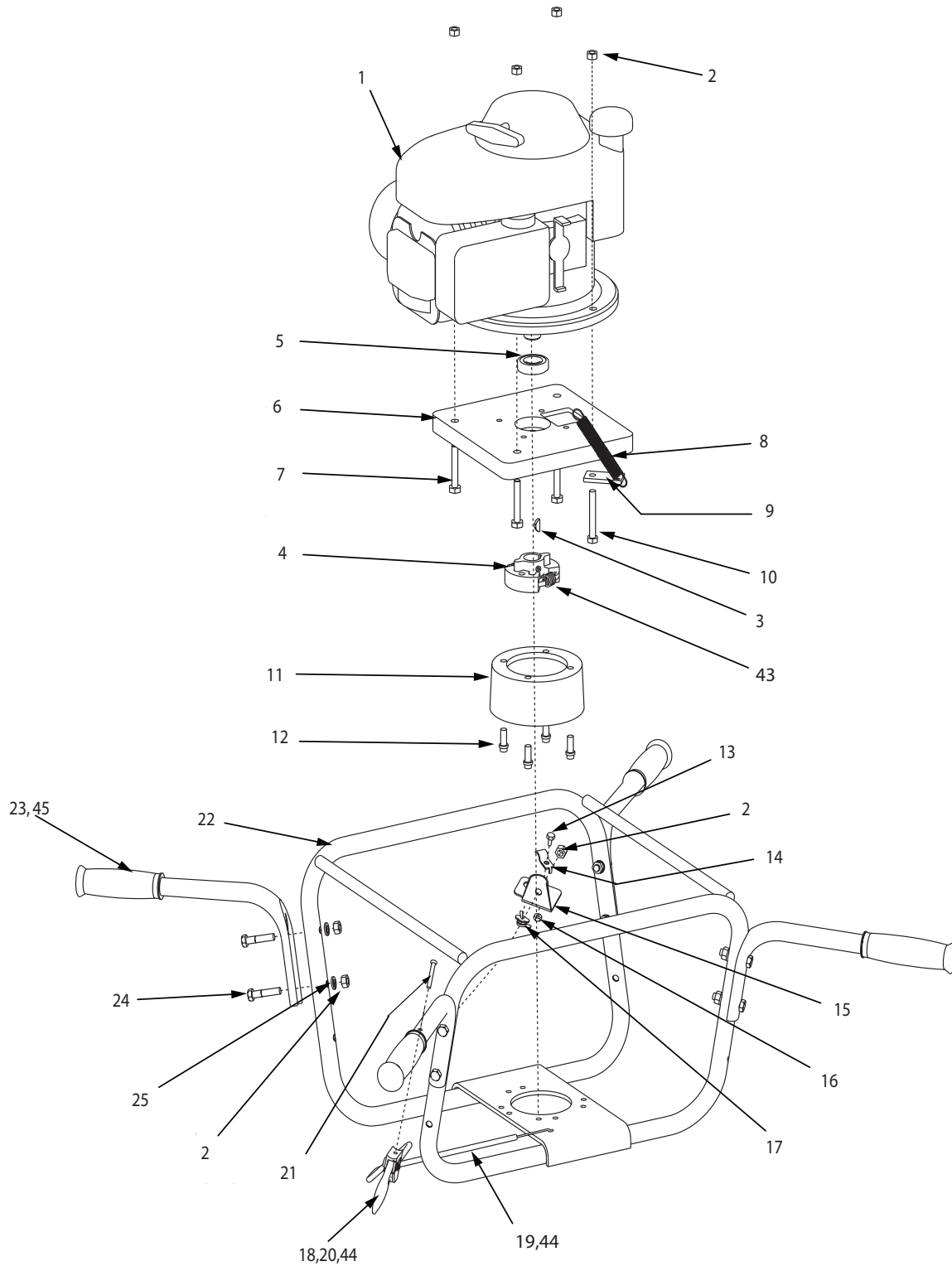


Includes models:
9800B
9800H
9800BCE (European)

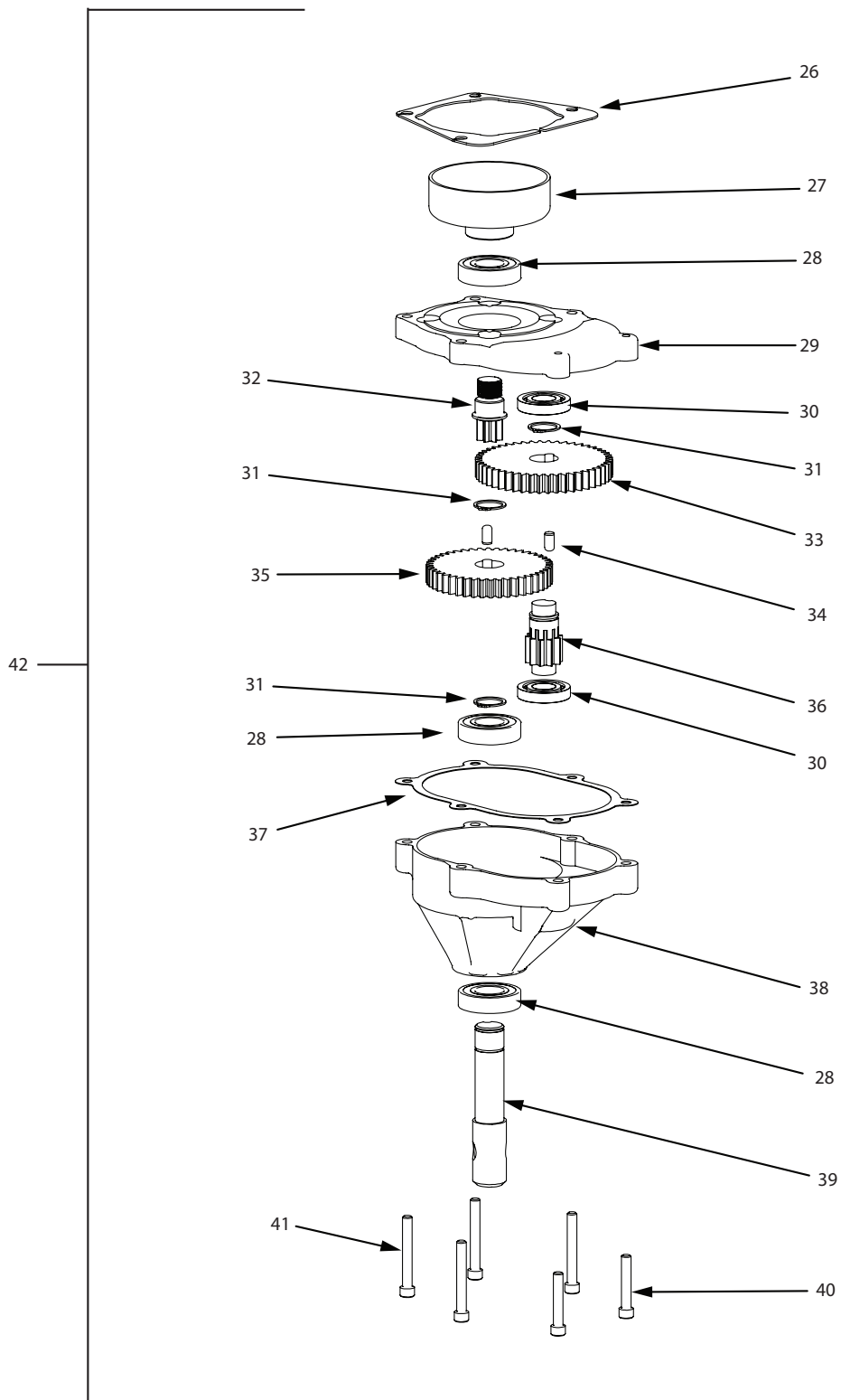


P/N: 19713
ECN: 10774
REV1: 03/19/2015
© 2015 Ardisam, Inc.
All Rights Reserved

9800B/9800BCE/9800H EARTH AUGER POWERHEAD ILLUSTRATED PARTS BREAKDOWN



9800B/9800BCE/9800H EARTH AUGER POWERHEAD ILLUSTRATED PARTS BREAKDOWN



9800B/9800BCE/9800H EARTH AUGER POWERHEAD ILLUSTRATED PARTS BREAKDOWN

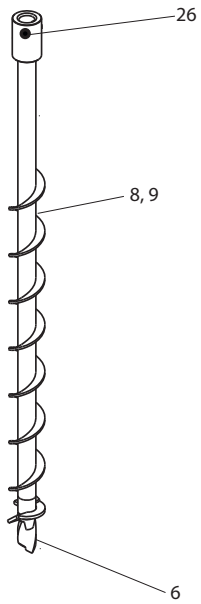
ITEM NO.	PART NO.	DESCRIPTION	QTY.
1	*	ENGINE, BRIGGS 675 SERIES (9800B)	1
	*	ENGINE, BRIGGS 675 SERIES CE (9800BCE)	1
	*	ENGINE, 160CC HONDA (9800H)	1
2	60G56	NUT, LOCK, (5/16-18 BI-WAY) (9800B, 9800BCE)	8
	60G56	NUT, LOCK, (5/16-18 BI-WAY) (9800H MODEL)	12
3	WK6	KEY, WOODRUFF (#6, 5/32 X 5/8")	1
4	9825	ROTOR CENTRIFUGAL CLUTCH	1
5	9822	BEARING, BALL (R14-2RS) (9800H ONLY)	1
6	9840	PLATE ADAPTER, MOUNTING RING (9800H ONLY)	1
7	1423	BOLT, (5/16-18X 2" HHCS GR5) (9800H ONLY)	3
8	9832	SPRING, THROTTLE CONTROL (9800H ONLY)	1
9	53664	TAB, THROTTLE (9800H ONLY)	1
10	48300	BOLT, (5/16 X-18 X 2 1/4" HHCS GR5) (9800H ONLY)	1
11	9837A	MOUNT RING COMPLETE 9800 SERIES	1
12	420	BOLT, (5/16-24 X 3/4" PFCS)	4
13	IB5810	BOLT, (5MM X 0.8 X 10MM HH) (9800H ONLY)	1
14	53596A	CLAMP, CABLE (YELLOW ZINC) (9800H ONLY)	1
15	9841	BRACKET, THROTTLE CABLE CLAMP (9800H ONLY)	1
16	IN58	NUT, (5MM X 0.8 X 10MM HH) (9800H ONLY)	1
17	60G70	SWITCH, TOGGLE, (ON-OFF) (9800H ONLY)	1
18	4819	TRIGGER ASSEMBLY, LONG THROW (INCLUDES P/N 4814) (9800H ONLY)	1
19	9805A	CABLE (NO TRIGGER) (9800H ONLY)	1
20	9801	CABLE THROTTLE W/TRIGGER (9800B/9800BCE ONLY)	1
21	4814	BOLT, (10-24 X 1 1/4" PHILLIPS TRUSS HEAD)	1
22	9819	WELDMENT, FRAME 9800	1
23	9827	HANDLE AND THROTTLE GRIP 9800	4

ITEM NO.	PART NO.	DESCRIPTION	QTY.
24	503	BOLT (5/16-18 X 1-1/2 HH)	8
25	504	LOCKWASHER SPRING (5/16")	8
26	3004149	SHIM, (9800 TRANSMISSION TOP)	1
27	9016	CLUTCH DRUM, (3" THREADED) (9800H ONLY)	1
	9018	CLUTCH DRUM, (3" THREADED SHORT) (9800B, 9800BCE ONLY)	1
28	8922	BEARING, BALL (R12 DOUBLE LIP)	3
29	75300	KIT, GEAR CASE, UPPER HALF (INCLUDES BEARINGS 8922, 8923, SHIM 3004149, AND GASKET 8919)	1
30	8923	BEARING, BALL R10	2
31	8924	RING, SNAP EXTERNAL (3/4")	3
32	9814	GEAR, PINION (7 TOOTH THREADED)	1
33	8914	GEAR, (48 TOOTH HARD)	1
34	8915	DOWEL PIN, STEEL (1/4 X 1/2")	2
35	8912	GEAR, (44 TOOTH 3/4 HOLE)	1
36	9214A	GEAR, (10 TOOTH CLUSTER PINION, HT)	1
37	8919	GASKET, POWERHEAD TRANSMISSION	1
38	75600	KIT, GEAR CASE, LOWER HALF, (INCLUDES BEARINGS 8922, 8923, AND POWERHEAD TRANSMISSION GASKET 8919)	1
39	8913	SHAFT, OUTPUT (7/8")	1
40	8929	BOLT, (1/4-20 X 1 1/2" SHCS)	2
41	8935	BOLT, (1/4-20 X 2 1/2" SHCS)	4
42	9800BTRANKIT	KIT, TRANSMISSION ASSEMBLY (9800B/9800BCE ONLY)	1
	98005	KIT, TRANSMISSION ASSEMBLY (9800H ONLY)	1
43	9020A	SPRING, CENTRIFUGAL CLUTCH	2
44	9806	KIT THROTTLE CABLE AND TRIGGER (9800H ONLY)	1
45	9211	HANDLE GRIP	4

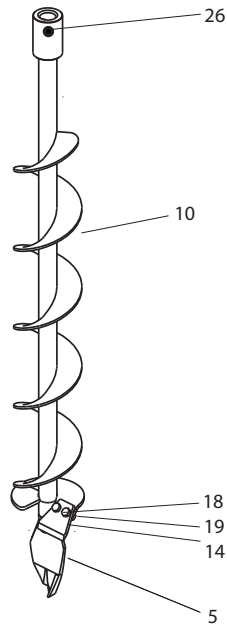
* Contact you local engine dealer for parts and service. Contact information can be found in the engine manual accompanying this product.

AUGER PARTS ILLUSTRATED PARTS BREAKDOWN

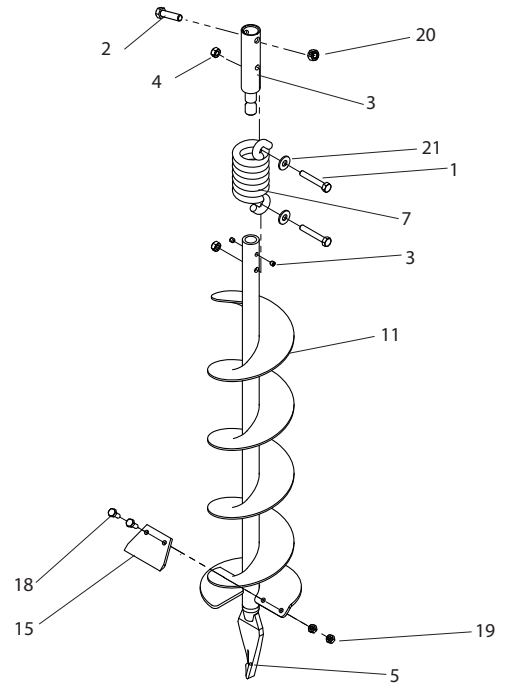
EA2F, EA3F



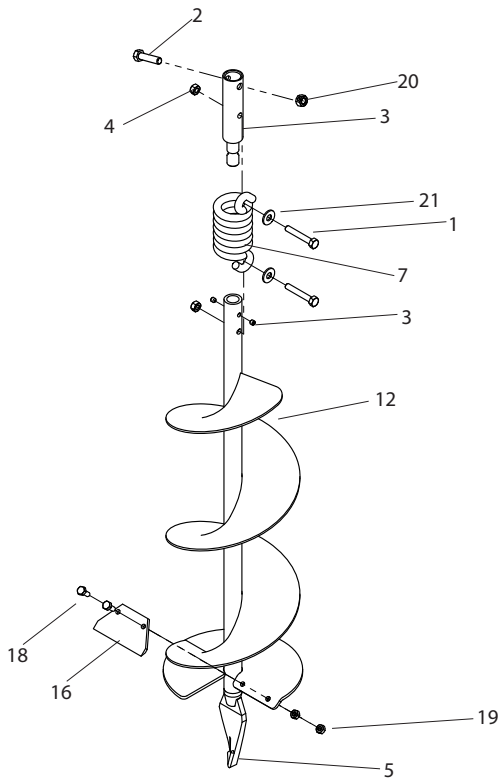
EA4F



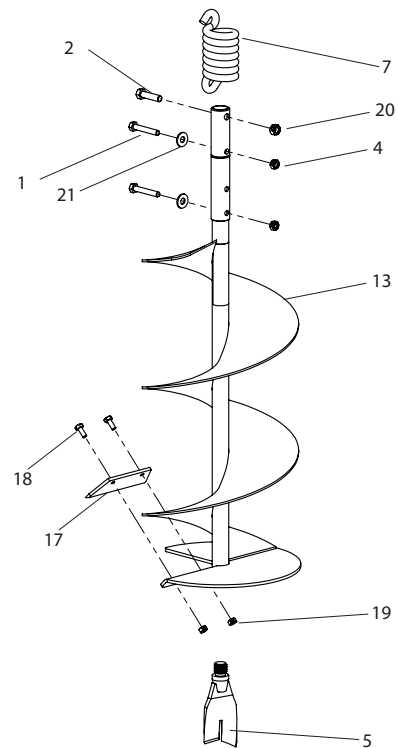
EA6F



EA8F

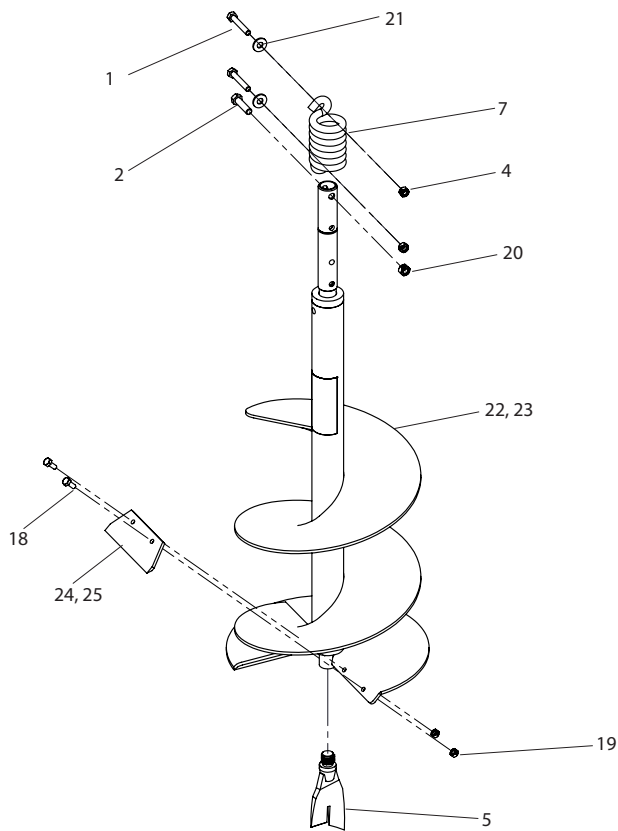


EA10F

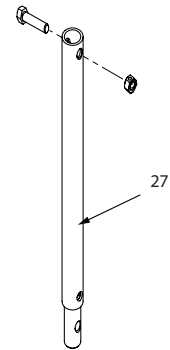


AUGER PARTS ILLUSTRATED PARTS BREAKDOWN

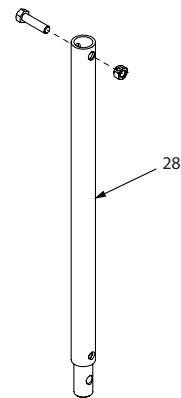
EA12F, EA14F



EXT12



EXT18



ITEM NO.	PART NO.	DESCRIPTION	QTY.
1	1423	BOLT-HHCS, 5/16-18 X 2", GRADE 5 (AUGER SHOCK SPRING)	2
2	1433	BOLT-HHCS, 3/8-16 X 1-1/2" (AUGER TO POWERHEAD)	2
3	22142	KIT SHOCK TOP AND SET SCREWS (USED ON 6" AND 8" EARTH AUGERS)	1
4	60G56	NUT-HEX 2-WAY REVERSIBLE LOCK- NUT, 5/16-18	2
5	8958HD	FISHTAIL POINT (USED ON 4" OR LARGER EARTH AUGER)	1
6	8970	EARTH POINT (USED ON 2" & 3" EARTH AUGER)	1
7	8980	SHOCK SPRING (USED ON 6" AND LARGER EARTH AUGERS)	1
8	EA2F	EARTH AUGER, 2" W/FISHTAIL POINT	1
9	EA3F	EARTH AUGER, 3" W/FISHTAIL POINT	1
10	EA4F	EARTH AUGER, 4" W/FISHTAIL POINT	1
11	EA6F	EARTH AUGER, 6" W/FISHTAIL POINT	1
12	EA8F	EARTH AUGER, 8" W/FISHTAIL POINT	1
13	EA10F	EARTH AUGER, 10" W/FISHTAIL POINT	1
14	EB4	EARTH BLADE, 4" (INCLUDES EBOLT & ENUT)	1
15	EB6	EARTH BLADE, 6" (INCLUDES EBOLT & ENUT)	1
	EB6HD	HEAVY DUTY EARTH BLADE, 6" (INCLUDES EBOLT & ENUT)(IMPROVED DESIGN)	1
16	EB8	EARTH BLADE, 8" (INCLUDES EBOLT & ENUT)	1
	EB8HD	HEAVY DUTY EARTH BLADE, 8" (IN- CLUDES EBOLT & ENUT) (IMPROVED DESIGN)	1
17	EB10	EARTH BLADE, 10" (INCLUDES EBOLT & ENUT)	1
	EB10HD	HEAVY DUTY EARTH BLADE, 10" (INCLUDES EBOLT & ENUT) (IMPROVED DESIGN)	1
18	EBOLT	BOLT-HEX, 1/4-28 X 5/8", GRADE 5 (EARTH BLADE TO AUGER)	2
19	ENUT	NUT-NYLOC, 1/4-28	2
20	2104	NUT HEX LOCKING, 3/8-16	2
21	WF516	WASHER-FLAT, 5/16"	2
22	EA12F	EARTH AUGER, 12" W/FISHTAIL POINT	1

ITEM NO.	PART NO.	DESCRIPTION	QTY.
23	EA14F	EARTH AUGER, 14" W/FISHTAIL POINT	1
24	EB12	EARTH BLADE, 12" (INCLUDES EBOLT & ENUT)	1
25	EB14	EARTH BLADE, 14" (INCLUDES EBOLT & ENUT)	1
26	8955	BOLT 3/8-16 X 1-1/4 SHCS	1
27	EXT12	DEPTH EXTENSION, 12"	1
28	EXT18	DEPTH EXTENSION, 18"	1