



HEARTH PRODUCTS

DIRECT-VENT GAS FIREPLACE HEATER INSERTS
P/N 850,050M REV. D 03/2010



OTL Report No. 050-F-22-5

Ce manuel d'installation est disponible en français, s'il vous plaît en faire la demande. Numéro de la pièce 850,050CF.

INSTALLATION AND OPERATION

Direct-Vent
SHORELINE™



MODELS

SHRL 33/40 DV INS

The Shoreline™ fireplace insert is factory equipped for 40,000 BTU input and can be converted to 33,000 using the smaller orifice provided.

WARNING ⚠️ AVERTISSEMENT

HOT GLASS WILL
CAUSE BURNS.

DO NOT TOUCH GLASS
UNTIL COOLED.

NEVER ALLOW CHILDREN TO
TOUCH GLASS.



UNE SURFACE VITRÉE CHAUDE PEUT
CAUSER DES BRÛLURES.

LAISSER REFROIDIR LA SURFACE
VITRÉE AVANT D'Y TOUCHER.

NE PERMETTEZ JAMAIS À UN ENFANT
DE TOUCHER LA SURFACE VITRÉE.

This appliance may be installed in an aftermarket permanently located, manufactured home (USA only) or mobile home, where not prohibited by local codes. This appliance is only for use with the type of gas indicated on the rating plate. This appliance is not convertible for use with other gases, unless a certified kit is used.

WARNING: If the information in these instructions is not followed exactly, a fire or explosion may result causing property damage, personal injury or death.

- Do not store or use gasoline or other flammable vapors and liquids in the vicinity of this or any other appliance.
- **WHAT TO DO IF YOU SMELL GAS**
 - Do not try to light any appliance.
 - Do not touch any electrical switch; do not use any phone in your building.
 - Immediately call your gas supplier from a neighbor's phone. Follow the gas supplier's instructions.
 - If you cannot reach your gas supplier, call the fire department.
- Installation and service must be performed by a qualified installer, service agency or the gas supplier.

INSTALLER: Leave this manual with the appliance.
CONSUMER: Retain this manual for future reference.

INSTALLATEUR: Laissez cette notice avec l'appareil.
CONSOMMATEUR: Conservez cette notice pour consultation ultérieure.

AVERTISSEMENT: Assurez-vous de bien suivre les instructions données dans cette notice pour réduire au minimum le risque d'incendie ou d'explosion ou pour éviter tout dommage matériel, toute blessure ou la mort.

- Ne pas entreposer ni utiliser d'essence ni d'autres vapeurs ou liquides inflammables dans le voisinage de cet appareil ou de tout autre appareil.
- **QUE FAIRE SI VOUS SENTEZ UNE ODEUR DE GAZ:**
 - Ne pas tenter d'allumer d'appareil.
 - Ne touchez à aucun interrupteur. Ne pas vous servir des téléphones se trouvant dans le bâtiment où vous trouvez.
 - Appelez immédiatement votre fournisseur de gaz depuis un voisin. Suivez les instructions du fournisseur.
 - Si vous ne pouvez rejoindre le fournisseur de gaz, appelez le service des incendies.
- L'installation et l'entretien doivent être assurés par un installateur ou un service d'entretien qualifié ou par le fournisseur de gaz.

SHORELINE™ REPLACEMENT PARTS LIST - MODELS SHR33 & SHR40

Item #	Part/Cat. No.	Description
2	H5723	Air Intake Assembly
3	H5724	Blower Box Assembly w/blower
4	H5725	Flue Collar Assembly
5	H5726	Blower Snap Switch Assembly
6	H5727	Rear Leveling Leg Assembly
7	H5729	Outer Bottom Assembly
8	H3140	Burner Assembly
9	H5731	Pilot Assembly with Shield
10	H5732	Main Orifice - NG33
10	H5733	Main Orifice - NG40
10	H5734	Main Orifice - LP33
10	H5735	Main Orifice - LP40
11	H5736	Bulkhead Assembly
12	H5737	Cassette Plate Assembly
13	H5738	Valve Assembly
14	H5739	Air shutter Assembly
15	H5740	Cassette Assembly
16	H5741	Louver Assembly
17	H5742	Blower Rheostat
18	H5743	Control panel/Valve cover

19	H5744	On/Off Switch
20	H5745	Piezo Igniter w/nut
21	H5746	Door Assembly
22	H5747	Log Set Assembly
23	H5748	Brick Panel Brackets
24	H5749	Surround Hanging Brackets
25	H5750	Upper Air Deflector
26	H5751	Blower Ducting
27	H5752	Wire Grommets
28	H5753	Burner Support
29	H5754	Front Leveling leg Assembly
30	H5755	Gasket kit
31	H5756	Surround Hinge
32	H5757	Ball Screw Assembly
33	H5758	Ball Catch Assembly
34	H5759	Surround Spacer Kit - Small
35	H5760	Surround Spacer Kit - Large
36	H5761	Extrusion Kit - 3 piece - Small
37	H5762	Extrusion Kit - 3 piece - Large
38	H5763	Extrusion Kit - 4 piece - Small
39	H5764	Extrusion Kit - 4 piece - Large
40	H5660	Power Cord Kit (Instr #506033-04)

Contact an Authorized Lennox Hearth Products dealer to obtain any of these parts. Never use substitute materials. Use of non-approved parts can result in poor performance and safety hazards.

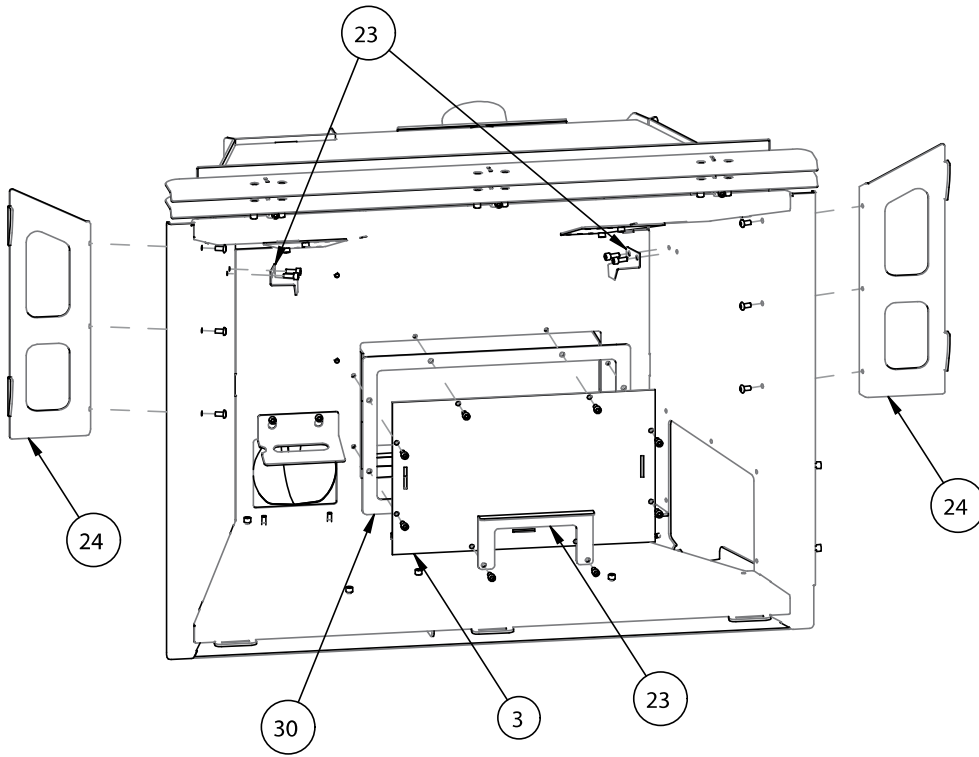
⚠ WARNING

Failure to position the parts in accordance with these diagrams or failure to use only parts specifically approved with this appliance may result in property damage or personal injury.

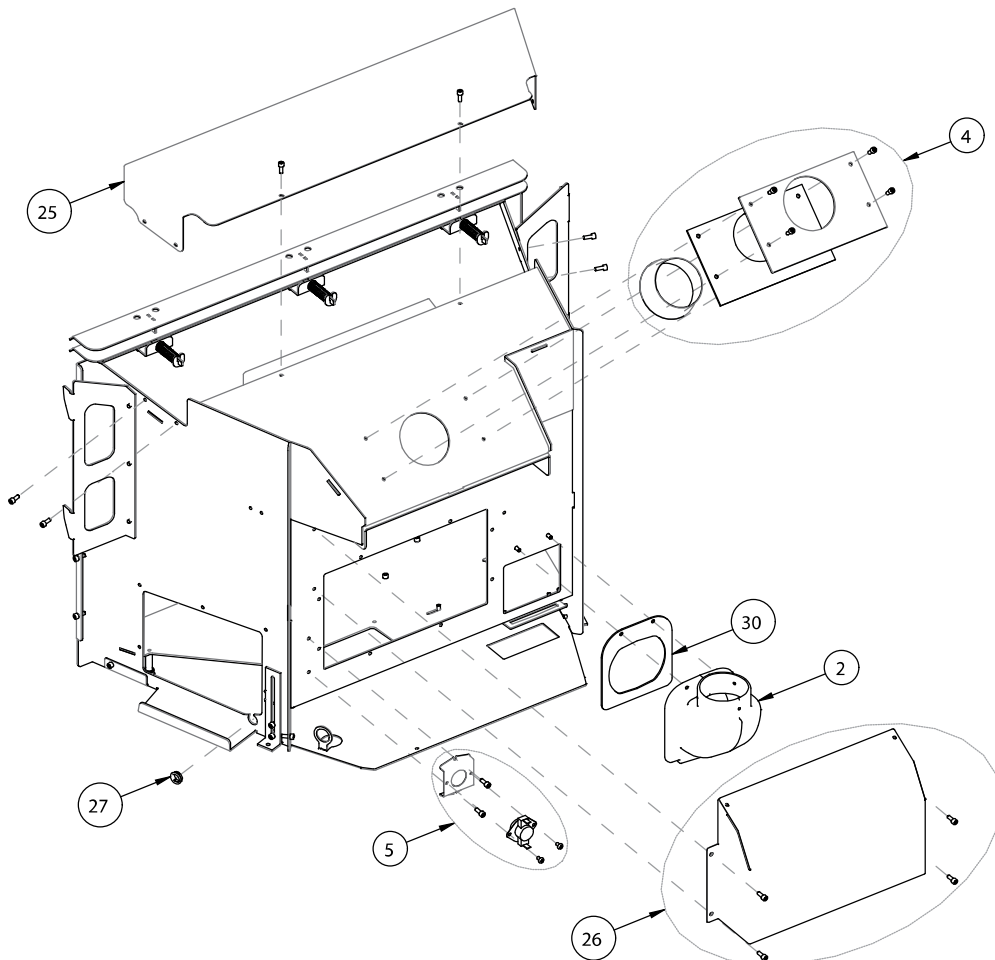
⚠ AVERTISSEMENT

Risque de dommages ou de blessures si les pièces ne sont pas installées conformément à ces schémas et ou si des pièces autres que celles spécifiquement approuvées avec cet appareil sont utilisées.

PART IDENTIFICATION

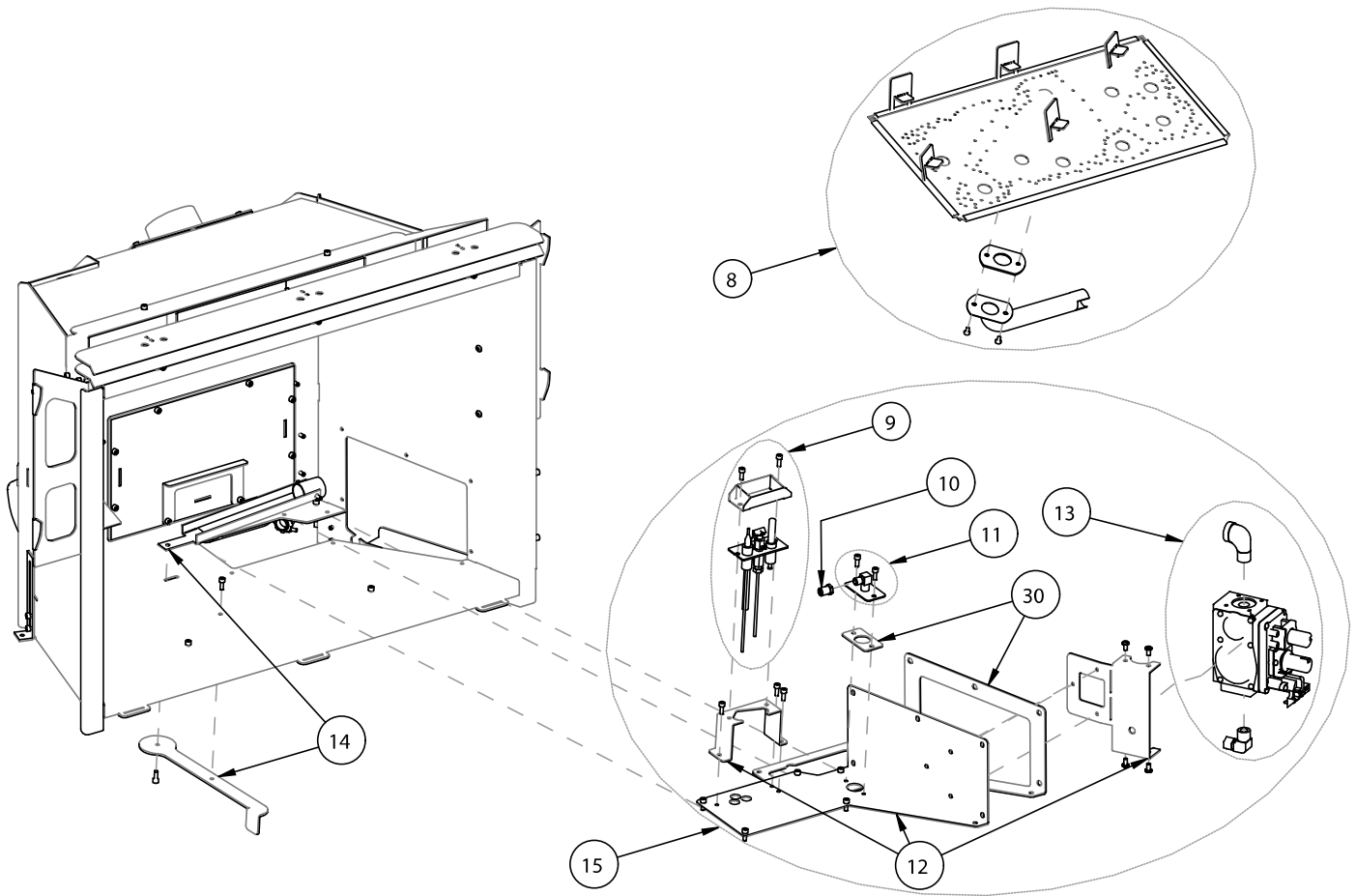


Item #	Description
2	Air Intake Assembly
3	Blower Box Assembly
4	Flue Collar Assembly
5	Blower Snap Switch Assembly
23	Brick Panel Brackets
24	Surround Hanging Brackets
25	Upper Air Deflector
26	Blower Ducting
27	Wire Grommets
30	Gasket Kit



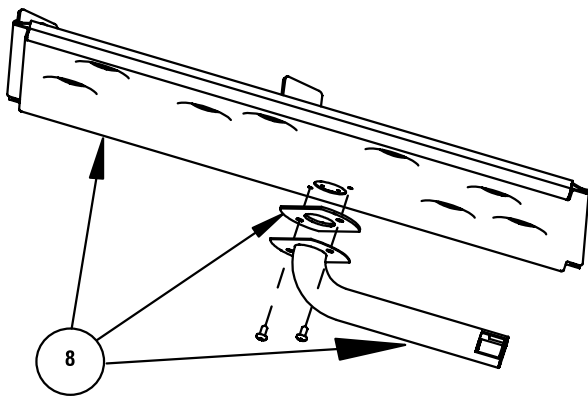
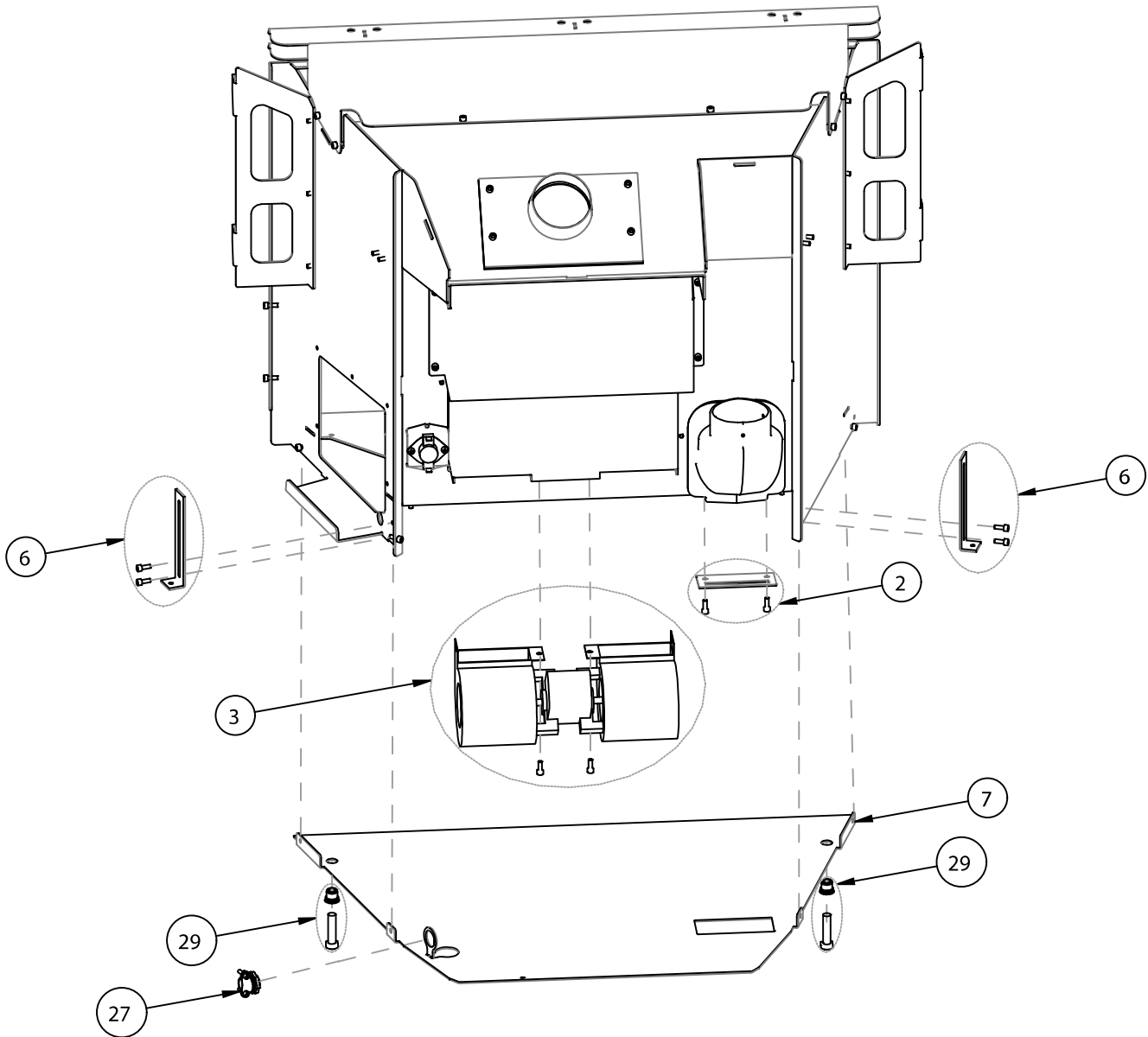
NOTE: DIAGRAMS AND ILLUSTRATIONS ARE NOT TO SCALE

PART IDENTIFICATION



Item #	Description
8	Burner Assembly
9	Pilot Assembly w/Shield
10	Main Orifice
11	Bulkhead Assembly
12	Cassette Plate Assembly
13	Valve Assembly
14	Air Shutter Assembly
15	Cassette Assembly
30	Gasket Kit

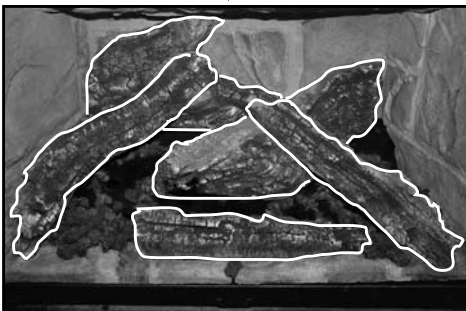
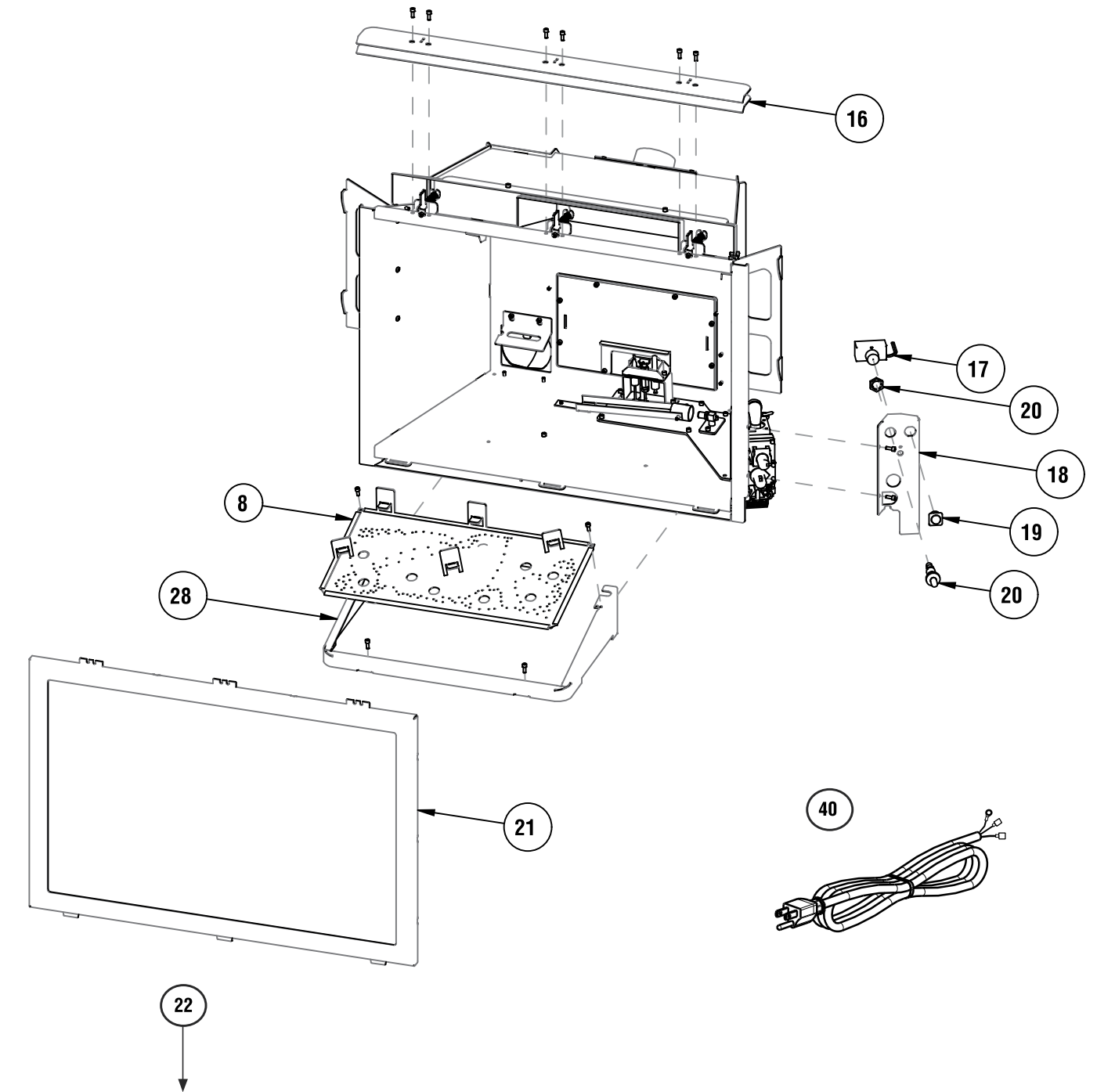
PART IDENTIFICATION



Item #	Description
2	Air Intake Assembly
3	Blower Box Assembly w/Blower
6	Rear Leveling Leg Assembly
7	Outer Bottom Assembly
8	Burner Assembly
27	Wire Grommets
29	Front Leveling Leg Assembly

NOTE: DIAGRAMS AND ILLUSTRATIONS ARE NOT TO SCALE

PART IDENTIFICATION



Ceramic Log Set

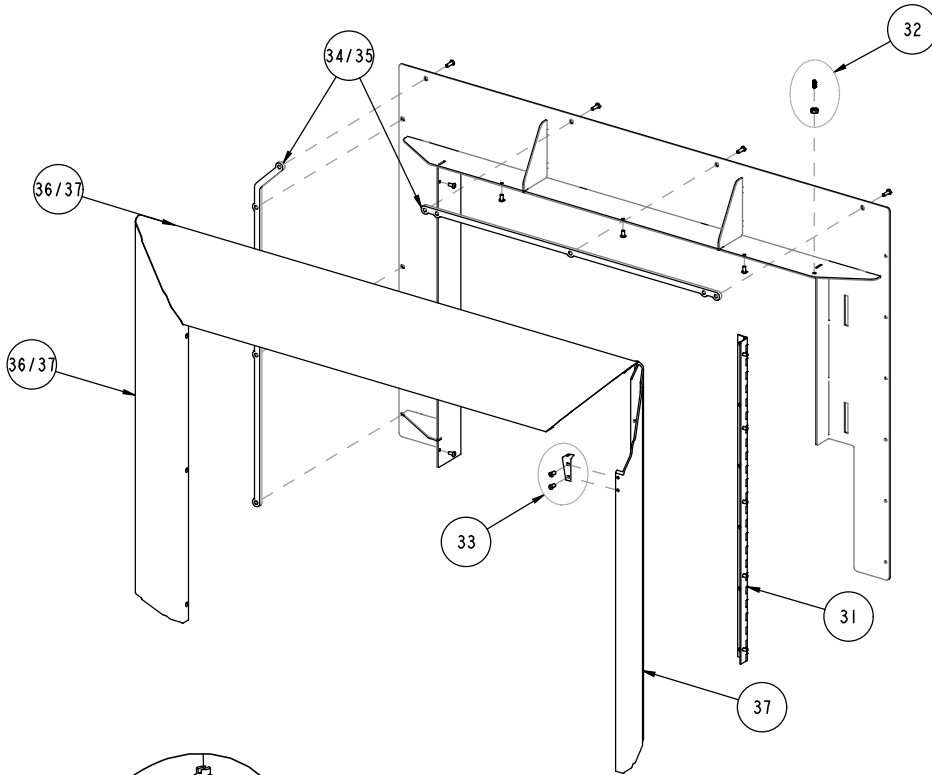
Item #	Description
8	Burner Assembly
16	Louver Assembly
17	Blower Rheostat
18	Control Panel/Valve Cover
19	On/Off Switch

Item #	Description
20	Igniter w/nut
21	Door Assembly
22	Ceramic Log Set
28	Burner Support
40	Power Cord

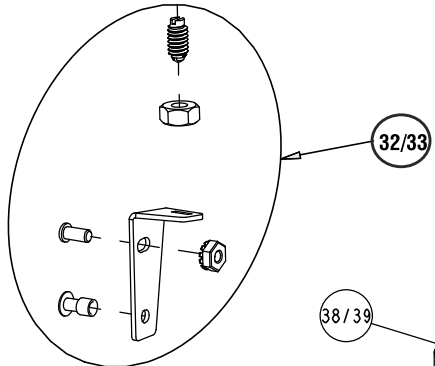
NOTE: DIAGRAMS AND ILLUSTRATIONS ARE NOT TO SCALE

PART IDENTIFICATION

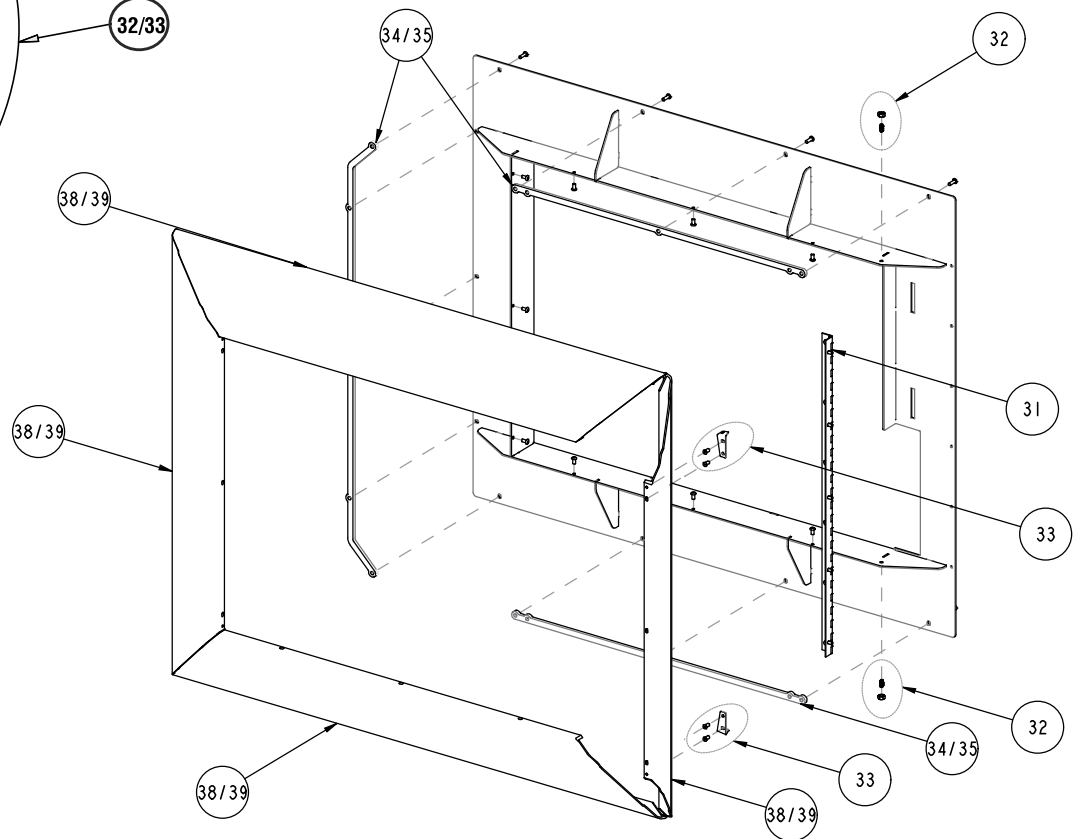
3-Piece Surround Assembly



Item #	Description
31	Surround Flange Hinge
32	Ball Screw Assembly
33	Ball Screw Catch Assembly
34	Surround Spacer Kit - Small
35	Surround Spacer Kit - Large
36	Extrusion Kit, 3-Piece - Small
37	Extrusion Kit, 3-Piece - Large
38	Extrusion Kit, 4-Piece - Small
39	Extrusion Kit, 4-Piece - Large



4-Piece Surround Assembly



NOTE: DIAGRAMS AND ILLUSTRATIONS ARE NOT TO SCALE

OPTIONAL ACCESSORIES

Deluxe Remote Control System

The Model RCL-T (Deluxe) Remote Control System has all of the features of the standard system along with an added easy to read LCD screen which presents access to many enhancements, including; battery power level indicator, timer, mode of operation, thermostatic display including room temperature in either metric or English units, flame indicator and clock. Fully programmable, the Model RCL-T allows for command over nearly all operational and temperature variables, using the hand held remote control transmitter.

(ref. Form # 750,129M)



<u>Cat. No.</u>	<u>Model</u>	<u>Description</u>
H0251	RCL-T	Remote Control System (Deluxe)

Standard Remote Control System

The Model RCL (Standard) Remote Control System, features a simple On/Off control function for the insert. This model includes a hand-held transmitter, a remote receiver with wall-mount coverplate and all hardware required to install the unit. The remote receiver can be wall or hearth mounted.

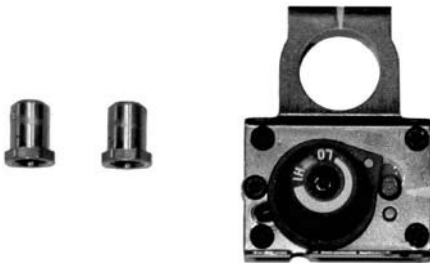
(ref. Form # 750,127M)



<u>Cat. No.</u>	<u>Model</u>	<u>Description</u>
H0249	RCL	Remote Control System (Standard)

Fuel Conversion Kits

Converting your Shoreline™ gas insert between natural gas (40,000-33,000 BTU's) and LP (37,500-33,000 BTU's) or vice versa can be accomplished by installing a conversion kit (valve regulator for fuel conversion and burner orifice). Only a qualified service technician should perform the conversion.



(ref. Form # 750,241M-to LP, & 750,243M-to NG)

<u>Cat. No.</u>	<u>Model</u>	<u>Description</u>
75390	SHR-CK-NG to LP	Natural Gas to Propane Conversion Kit
75393	SHR-CK-LP to NG	Propane to Natural Gas Conversion Kit

Wall Thermostat

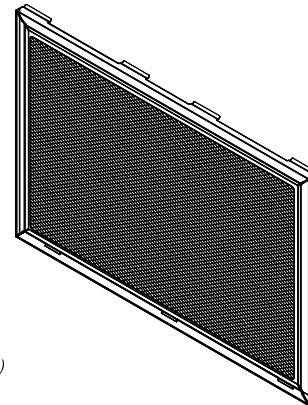
The wall thermostat kit provides temperature control for optimum comfort.



<u>Cat. No.</u>	<u>Model</u>	<u>Description</u>
H4635	DWTK	Wall Thermostat Kit, Digital

Screen Panel Kit

This screen panel kit can be installed over the glass enclosure panel to help protect from making direct contact with the hot glass surface.



(ref. Form # 775,234M)

<u>Cat. No.</u>	<u>Model</u>	<u>Description</u>
75392	SHR-GS-BLK	Glass Screen Panel Kit, Black

Touch-Up Paint Kit

Repair of minor scratches and discoloration of the appliance's black painted surfaces may be accomplished with the use of this touch-up paint kit.

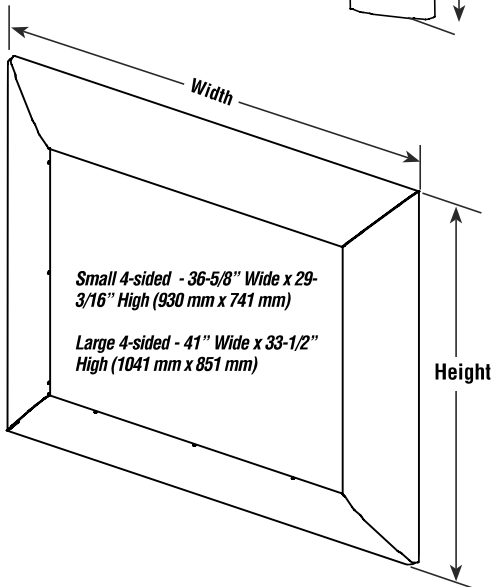
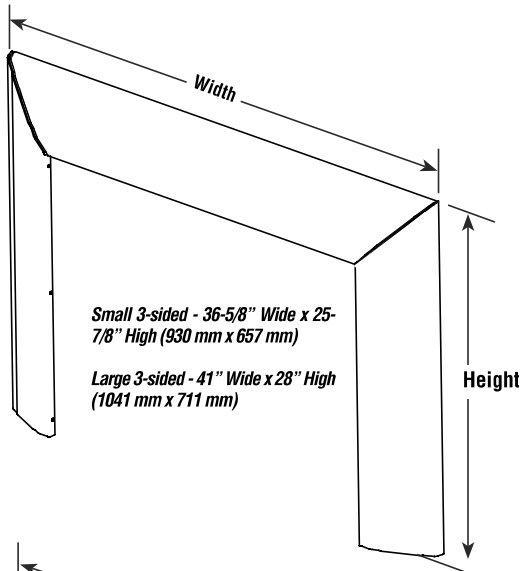


<u>Cat. No.</u>	<u>Model</u>	<u>Description</u>
70K99	TSPK-B	Touch-Up Paint Kit, Black

OPTIONAL ACCESSORIES

Surround Kits

These surround panels install around the insert body providing an attractive finished look. *Note: See Page 35 for additional information on surround kits*

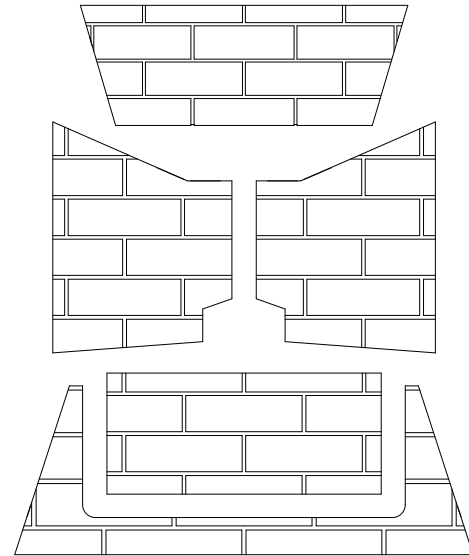


Cat. No.	Model	Description
75385	SHR-SP-4P-SM	Surround Panel Kits, 4 piece, Small
75386	SHR-SP-4P-LG	Surround Panel Kits, 4 piece, Large
75387	SHR-SP-3P-SM	Surround Panel Kits, 3 piece, Small
75388	SHR-SP-3P-LG	Surround Panel Kits, 3 piece, Large

Refractory Brick Panel Set (5 pieces)

These decorative brick panels sets are offered in 3 attractive styles. One set required.

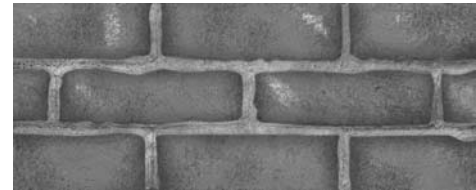
IMPORTANT NOTE: A refractory brick panel kit is required for proper operation (sold separately). Never operate this appliance without all the refractory brick panels properly installed.



Standard Brick



Red Brick



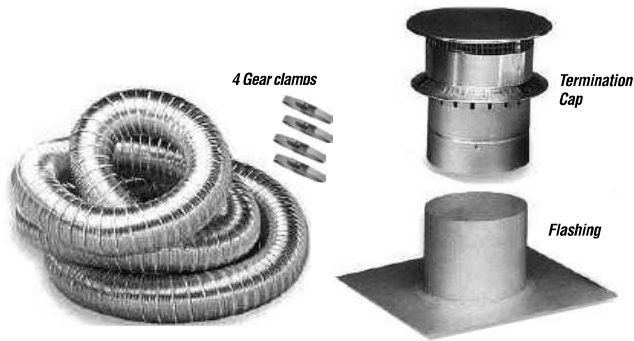
Architectural Stone



(ref. Form # 775,263M)

Cat. No.	Model	Description
H7987	SHR-BRK-STD	Brick Panel Set, Tan
H7988	SHR-BRK-RED	Brick Panel Set, Red
H7989	SHR-BRK-ARCHSTONE	Brick Panel Set, Architectural (shown)

OPTIONAL ACCESSORIES



Vent Kits		
Cat. No.	Model	Description
H0909	FKDVI	Flex Liner Kit, DVI 3" X 35' (requires 2, one for exhaust and one for intake)
TKDVI	TKDVI	Termination Kit, DVI (termination cap and flashing)
DV3FK35	DV3FK35	Flex Liner and Termination Kit, 3" X 35' (includes 2 flex liners, termination and gear clamps)

