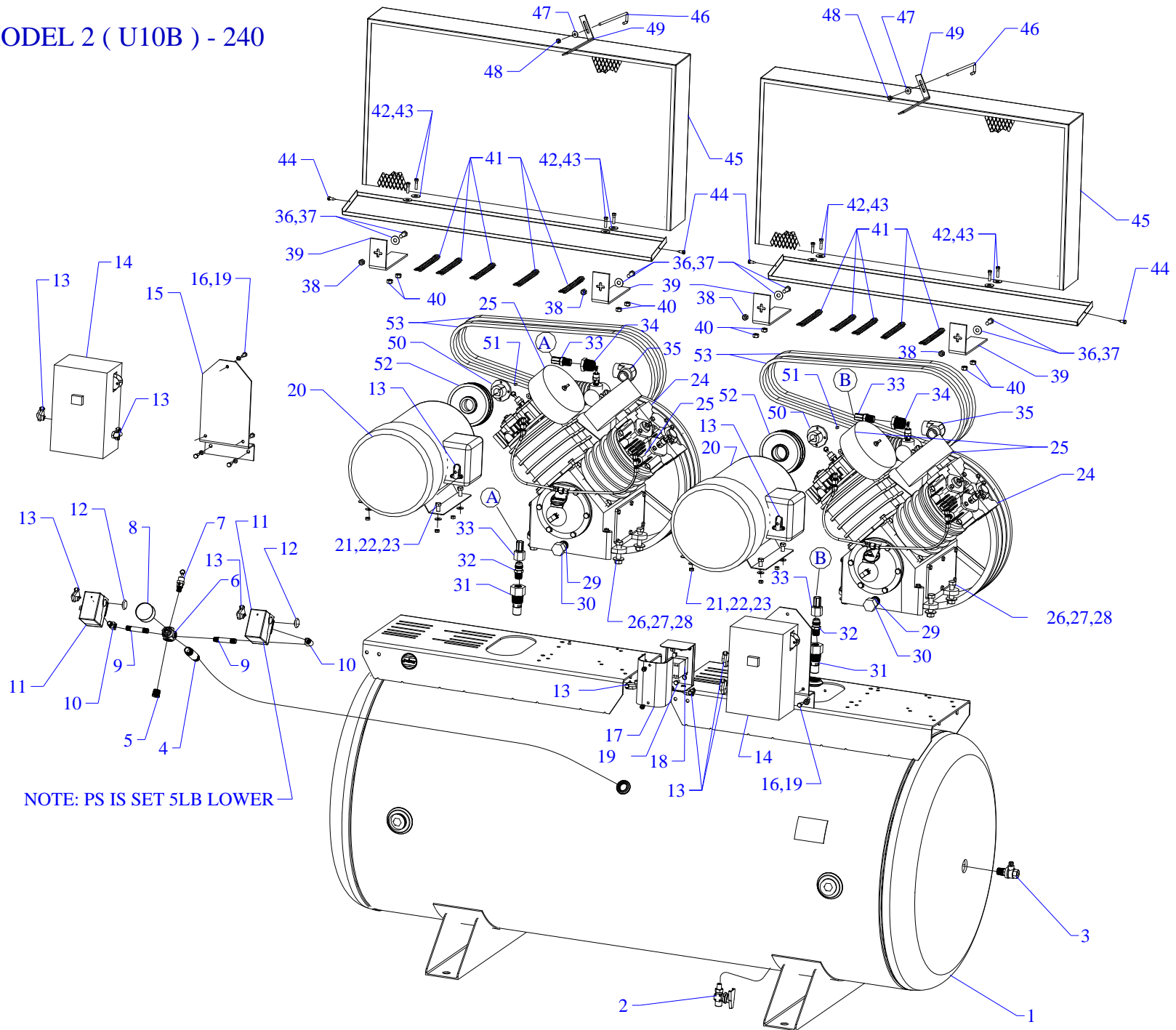


# MODEL 2 ( U10B ) - 240



NOTE: PS IS SET 5LB LOWER

## Parts List for Model 2(U10B)-240 Three Phase

NOTE: The quantity number indicates the total number of pieces required for a complete unit repair.

When ordering parts give compressor model, serial number and part number. Order assemblies when possible.

| <u>REF. NO.</u> | <u>PART NO.</u> | <u>DESCRIPTION</u>                        | <u>QTY.</u> |
|-----------------|-----------------|---|-------------|
| 1               | 411-1092        | TANK,DUPLEX,240G,UNB,TE,H240U-1D          | 1           |
| 2               | 141-1098        | VALVE,BALL,DRAIN,1/4 TURN,1/4"M           | 1           |
| 3               | 141-1078        | VALVE,BALL,OUTLET,1/4 TURN,1/2"M X 1/2"F  | 1           |
| 4               | 122-1146        | NIPPLE,STEEL,SCH 80,PLTD,1/2" X 2-1/2" L  | 1           |
| 5               | 122-1047        | PLUG,SOCKET,HEX,ST,PLTD,1/2" NPT          | 1           |
| 6               | 220-1122        | BLOCK,MANIFOLD,ZINC,6 HOLE,TAPPED,MC-6    | 1           |
| 7               | 141-1011        | VALVE,SAFETY,ASME,1/4",200 PSI,SVU200     | 1           |
| 8               | 142-1001        | GAUGE,PSI,300#,BK MT,JENNY,2",1/4NPT,PG3  | 1           |
| 9               | 122-1030        | NIPPLE,STEEL,SCH 40,1/4" X 2" L           | 2           |
| 10              | 122-1118        | ELBOW,STREET,MI,PLTD,90 DEG,1/4"NPT       | 2           |
| 11              | 140-1072        | SWITCH,PSI,2HP,115-175#,PB                | 2           |
| 12              | JD3856          | PLUG,HOLE,PLASTIC,BLACK,7/8"              | 2           |
| 13              | 123-1032        | CONNECTOR,CABLE,BX,90 DEG,3/8"            | 8           |
| 14              | 330-1029        | MAG STR 40A 3P 200/208/230V,MGSD-3-230    | 2           |
| 15              | 320-1080        | BRACKET MAG STARTER 6X12                  | 2           |
| 16              | 120-1113        | NUT,HEX,STEEL,PLATED,1/4-20               | 6           |
| 17              | 140-1088-04     | ENCLOSURE,MOUNTING,ALTERNATOR,9991-UE1    | 1           |
| 18              | 140-1088-02     | RELAY,ALTERNATING,AUTO,600V,12A,230VAC    | 1           |
| 18*             | 140-1088-03     | RELAY,ALTERNATING,AUTO,600V,12A,460VAC    | 1           |
| 19              | 120-1005        | SCREW,FLANGE,HEX,SERR,ST,PLTD,1/4-20X3/4  | 9           |
| 20              | 130-1033        | MOTOR,10HP,200/60/3,1725,ODP              | 2           |
|                 | 140-1028-E72    | OVERLOAD,HEATER,STARTER,MAGNETIC,E72 200V | 6           |
| 20*             | 130-1091        | MOTOR,10HP,230-460/60/3,3650RPM,ODP       | 2           |
|                 | 140-1028-E69    | OVERLOAD,HEATER,STARTER,MAGNETIC,E69 230V | 6           |
|                 | 140-1028-E57    | OVERLOAD,HEATER,STARTER,MAGNETIC,E57 460V | 6           |
| 21              | 120-1290        | SCREW,MACH,HEXHD,GR5,ST,PL,3/8-16X1-1/4"  | 8           |

## Parts List for Model 2(U10B)-240 Three Phase

NOTE: The quantity number indicates the total number of pieces required for a complete unit repair.

When ordering parts give compressor model, serial number and part number. Order assemblies when possible.

| <u>REF. NO.</u> | <u>PART NO.</u> | <u>DESCRIPTION</u>                       | <u>QTY.</u> |
|-----------------|-----------------|--|-------------|
| 22              | 120-1120        | NUT,HEX,STEEL,PLATED,3/8 16 PL           | 8           |
| 23              | 120-1075        | WASHER,FLAT,STEEL,PLATED,5/16"           | 8           |
| 24              | 421-1604        | PUMP,CMPSR,PISTON,REPLCMT,BLUE,U         | 2           |
| 25              | 160-1057        | FILTER,INTAKE,AIR,1"NPTM,FA1             | 4           |
| 26              | 120-1052        | SCREW,CAP,HEXHD,GR5,ST,PLTD,1/2-13X2-1/2 | 8           |
| 27              | 120-1124        | NUT,HEX,STEEL,PLATED,1/2-13              | 8           |
| 28              | 120-1080        | WASHER,FLAT,STEEL,PLATED,1/2"            | 16          |
| 29              | 122-1085        | CAP,HEX,STEEL,PLATED,1/2"NPT             | 2           |
| 30              | 122-1089        | NIPPLE,STEEL,SCH 40,1/2" X 2-1/2" L      | 2           |
| 31              | 141-1037        | VALVE,CHECK,INSERT,1"M X 3/4", 134       | 2           |
| 32              | 121-1011        | CONNECTOR,MALE,BRASS,3/4-45SAEX3/4"NPTM  | 2           |
| 33              | 360-1403        | AFTERCOOLER,HOSE,SS,TEFLON,3/4"ODX30"L   | 2           |
| 34              | 122-1073        | BUSHING,REDUCER,HEX,ST,PLTD,1" X 3/4"NPT | 2           |
| 35              | 122-1053        | ELBOW,STREET,MI,PLTD,90 DEG,1"NPT        | 2           |
| 36              | 120-1071        | WASHER,FLAT,STEEL,PLATED,USS,1/4"        | 4           |
| 37              | 120-1267        | SCREW,PAN HD,PHIL,STEEL,PL,1/4-20 X 1    | 4           |
| 38              | 120-1116        | NUT,LOCK,FLANGE,HEX,SERR,ST,PLTD,1/4-20  | 4           |
| 39              | 320-1027-07     | BM GRP - BRACKET,BELTGUARD,U,DUPLEX      | 4           |
| 40              | 120-1116        | NUT,LOCK,FLANGE,HEX,SERR,ST,PLTD,1/4-20  | 8           |
| 41              | 120-1158        | SPRING,ST,PL,#3 X 16" L (BELT GUARD)     | 8           |
| 42              | 120-1071        | WASHER,FLAT,STEEL,PLATED,USS,1/4"        | 8           |
| 43              | 120-1243        | SCREW,FLANGE,HEX,SERR,ST,PL,1/4-20X 1/2  | 8           |
| 44              | 120-1177        | SCREW,SELF DRILL,HEX,ST,PL,12 X 3/4      | 10          |
| 45              | 320-1027-01     | BELTGUARD,GAS,U,HONDA,SM&PT,ASSY,BLUE    | 2           |
| 46              | 120-1219        | BOLT,"J",ST,PL,1/4-20 X 5-9/16 LENGTH    | 2           |

## Parts List for Model 2(U10B)-240 Three Phase

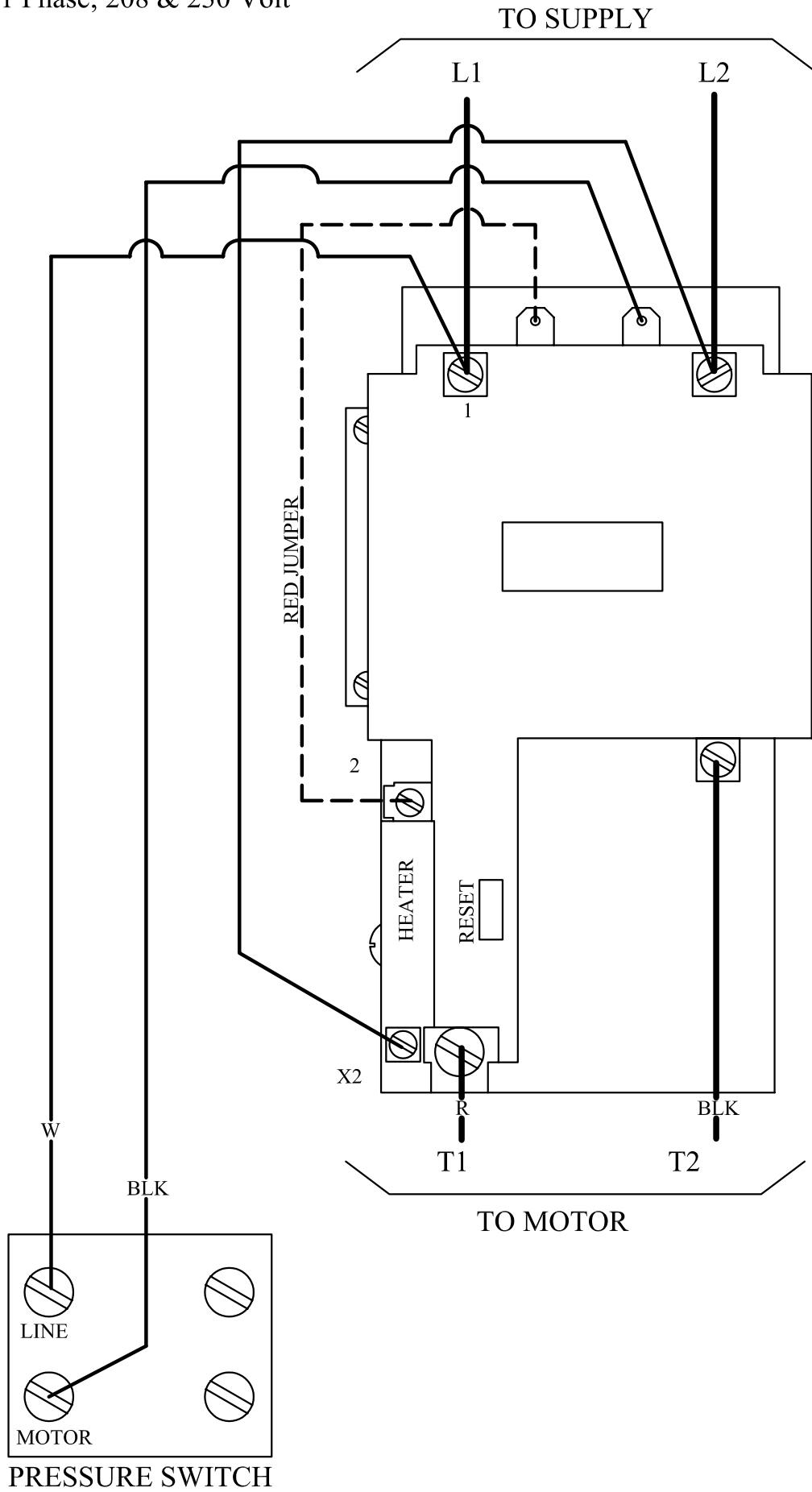
NOTE: The quantity number indicates the total number of pieces required for a complete unit repair.

When ordering parts give compressor model, serial number and part number. Order assemblies when possible.

| <u>REF. NO.</u> | <u>PART NO.</u> | <u>DESCRIPTION</u>                       | <u>QTY.</u> |
|-----------------|-----------------|--|-------------|
| 47              | 120-1071        | WASHER,FLAT,STEEL,PLATED,USS,1/4"        | 2           |
| 48              | 120-1115        | NUT,HEX,ELASTIC,STEEL,PLATED,1/4-20      | 2           |
| 49              | 230-1132        | BRACKET BELTGUARD U GAS                  | 2           |
| 50              | 154-1113        | BUSHING,PULLEY,TAPERED,SK,1-7/8          | 2           |
| 51              | 120-1109        | KEY,STEEL,BLACK,5/16X5/16X 1-1/2" LENGTH | 2           |
| 52              | 154-1080        | PULLEY,CI,TG,SK,7.0PDB,3B70SK            | 2           |
| 53              | 154-5L800       | BELT,VEE,B75.3,5L-800                    | 6           |
| NOT SHOWN       | 160-1060        | ELEMENT,FILTER,INTAKE,AIR,U14,FE1        | 4           |
| NOT SHOWN       | 105-1210        | OIL,PUMP,SYNTHETIC,BLUE,1 GALLON,ESG     | 1           |
| NOT SHOWN       | 330-1030        | MAG STR,40A 3P 460V,SVC RPLMT,MGSD-3-460 | 2           |

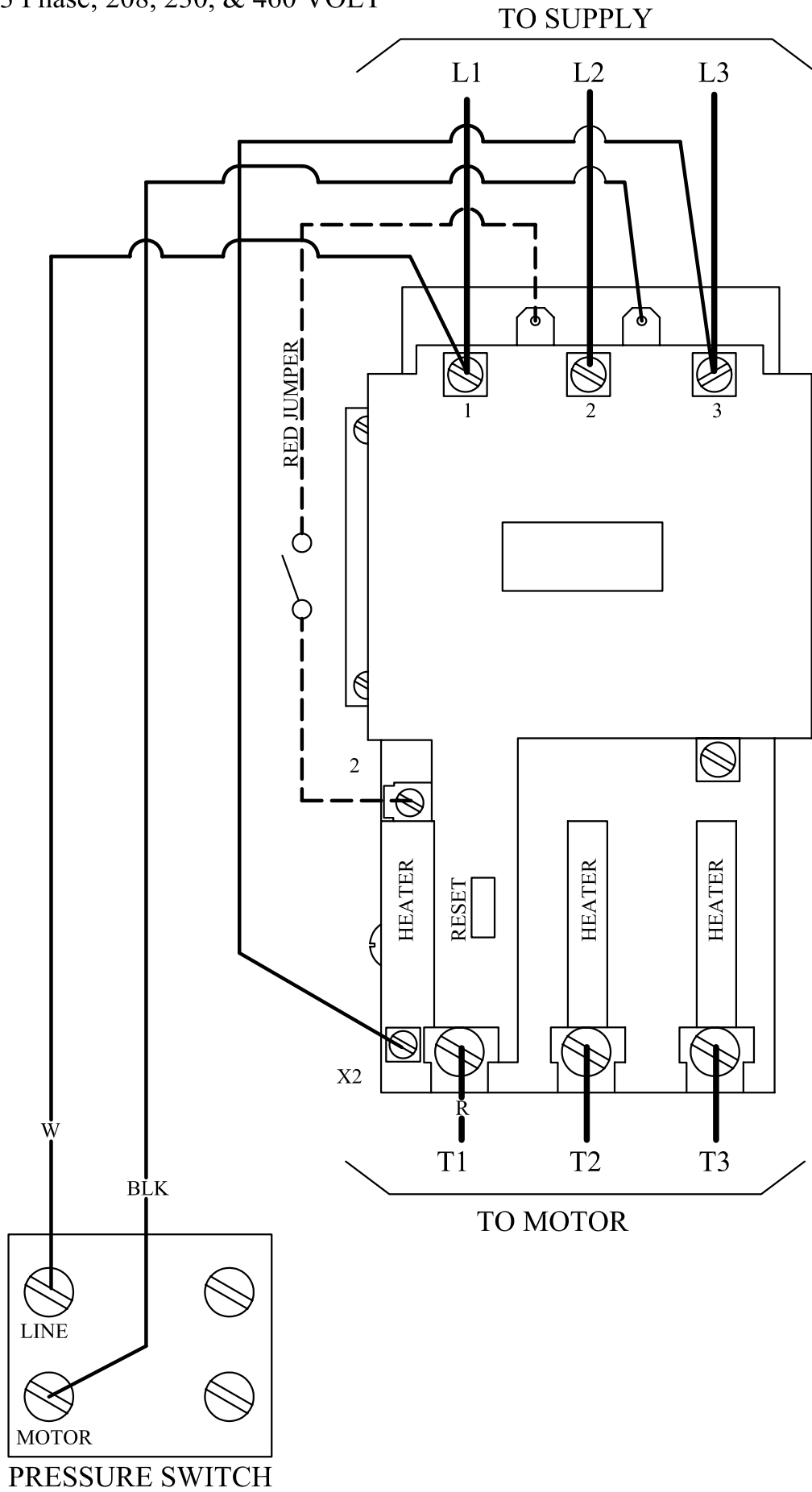
# MAGNETIC STARTER WIRING DIAGRAM

1 Phase; 208 & 230 Volt



# MAGNETIC STARTER WIRING DIAGRAM

3 Phase; 208, 230, & 460 VOLT



NOTE:

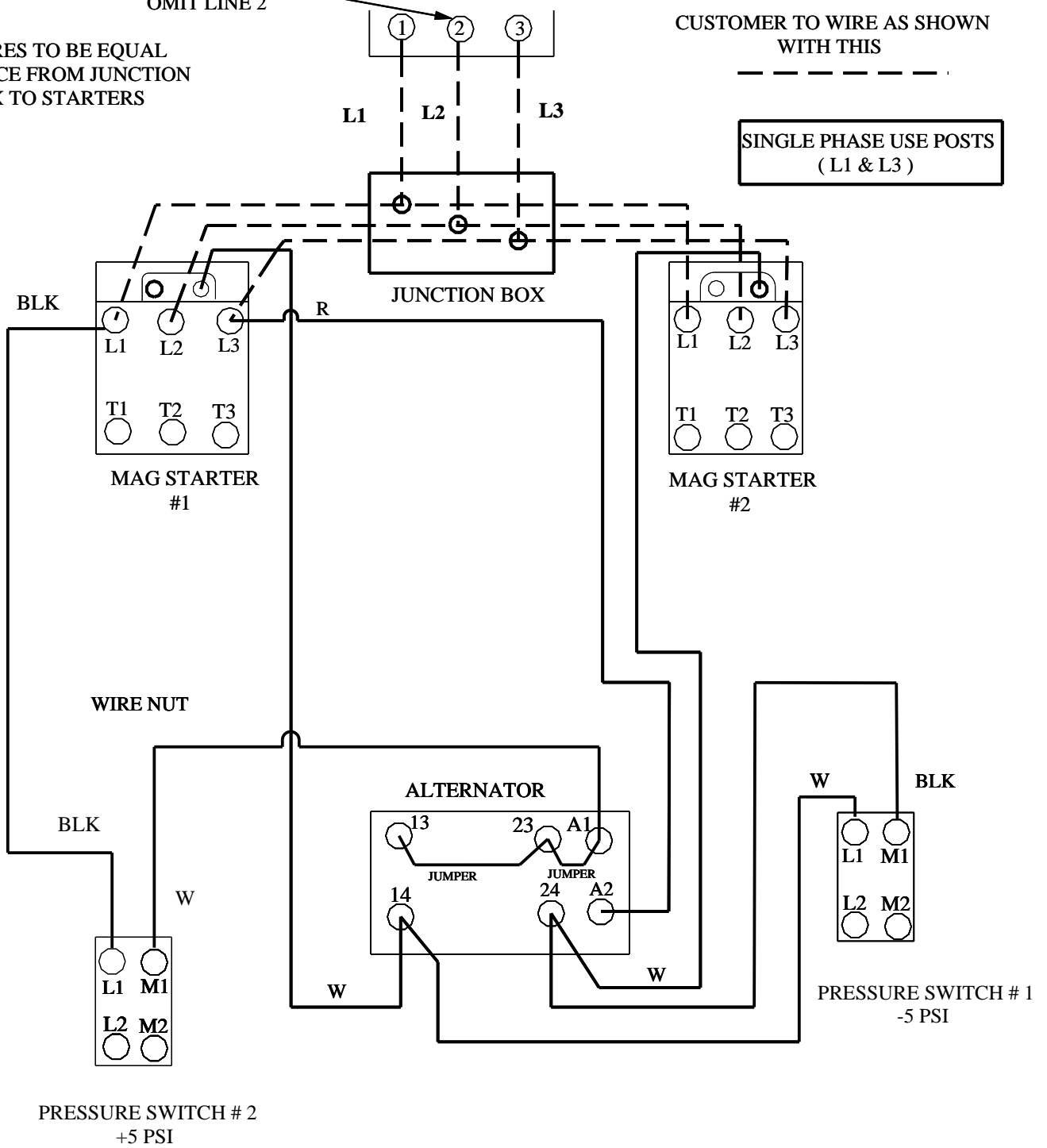
1. WIRES TO BE EQUAL DISTANCE FROM JUNCTION BOX TO STARTERS

SINGLE PHASE OMIT LINE 2

YOUR POWER SOURCE

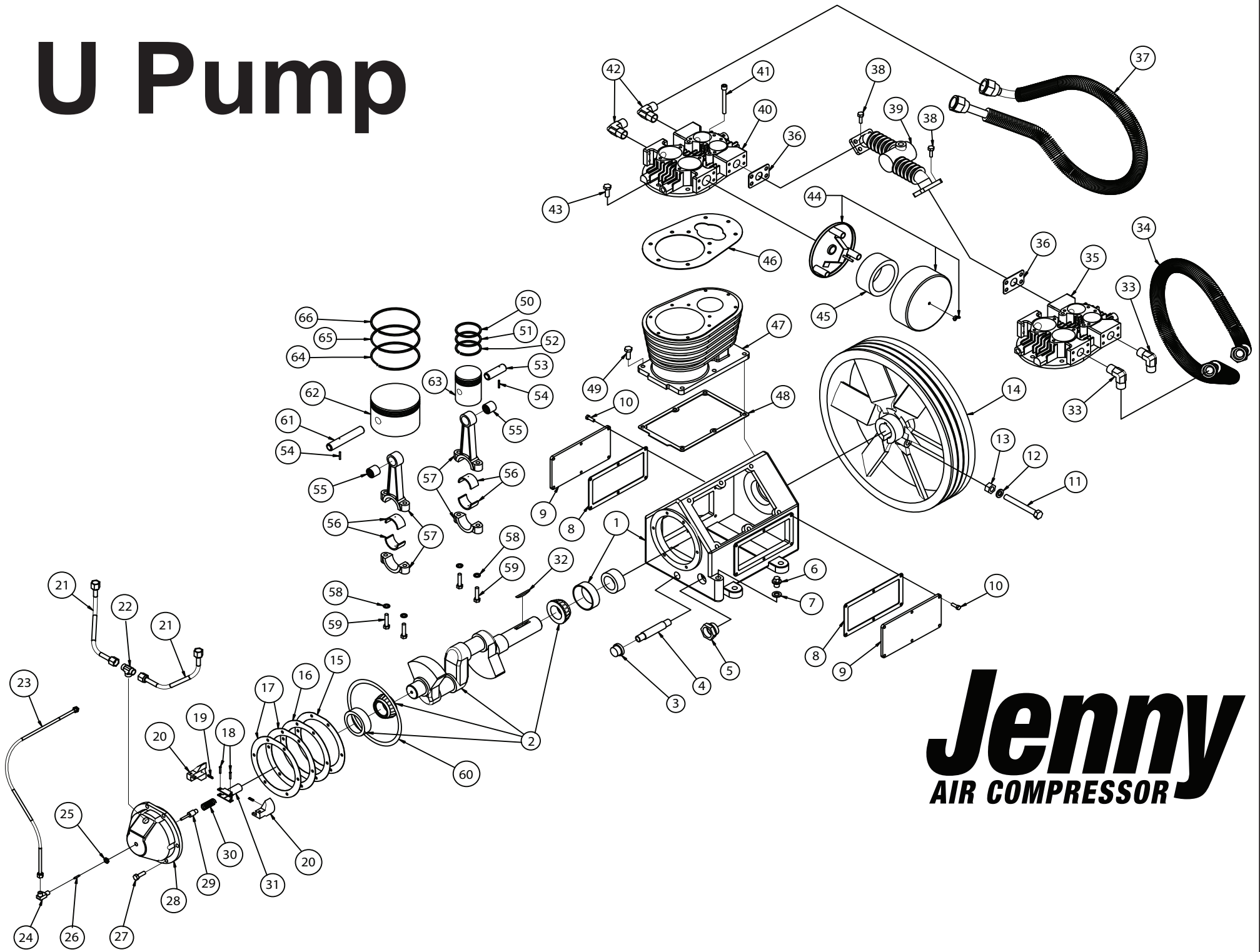
CUSTOMER TO WIRE AS SHOWN WITH THIS

SINGLE PHASE USE POSTS (L1 & L3)



| Itm  | Qty | Description  | Dwg No                      | Material       | Size      |
|--|-----|--------------|-----------------------------|----------------|-----------|
| DESIGN   |     |              |                             |                |           |
| DRAWN  |     | Rodney Kniss | 11/24/05                    |                |           |
| CHECKED  |     |              |                             |                |           |
| APPROVED   |     |              |                             |                |           |
| STANDARD TOLERANCES<br>(UNLESS OTHERWISE NOTED)<br><u>INCHES</u> <u>METRIC</u><br>.X=±.030 .XXX=±.005                      .X=±.1.0 .XXX=±.01<br>.XX=±.015 .XXXX=±.0005                      .XX=±.0.5 .XXXX=±0.02<br>ANGLES=±1/4°                      ANGLES=±1/4°<br>MACHINE FINISH- v125 |     |              | TITLE<br>DUPLEX WIRE DIGRAM |                |           |
| FILENAME   |     |              | SCALE<br>NTS                | DRAWING NUMBER | SIZE<br>A |
|  |     |              |                             | SH 1<br>OF 1   | REV.      |

# U Pump



**Jenny**  
AIR COMPRESSOR



## Parts List for Model U

NOTE: The quantity number indicates the total number of pieces required for a complete pump repair.  
When ordering parts give compressor model, serial number and part number. Order assemblies when possible.

| <u>REF. NO.</u> | <u>PART NO.</u> | <u>DESCRIPTION</u>                       | <u>QTY.</u> |
|-----------------|-----------------|--|-------------|
| 1               | 631-48289       | CRANKCASE,PUMP,U                         | 1           |
| 2               | 631-48285       | CRANKSHAFT & CONE ASSY REF: U            | 1           |
| 2A              | 631-98846       | BEARING CUP REF: QMRU, 98846             | 2           |
| 2B              | 631-13414       | CONE,BEARING,R-U PUMP                    | 2           |
| 3               | 122-1085        | CAP,HEX,STEEL,PLATED,1/2"NPT             | 1           |
| 4               | 122-1089        | NIPPLE,STEEL,SCH 40,1/2" X 2-1/2" L      | 1           |
| 5               | 160-1053        | GAUGE,SIGHT,LEVEL,OIL,1"NPT              | 1           |
| 6               | 631-76071       | OIL FILLER PLUG REF: U, 76071            | 1           |
| 7               | 631-76072       | OIL FILLER PLUG GSKT REF: U, 76072       | 1           |
| 8               | 631-48332       | SIDE PLATE GSKT REF: U, 48332            | 2           |
| 9               | 631-48331       | PLATE,SIDE,CRANKCASE,PUMP,U              | 2           |
| 10              | 120-1002        | SCREW,CAP,HEXHD,GR5,ST,BLK,1/4-20X5/8    | 12          |
| 11              | 111300          | SCREW,CAP,HEX HD,GR5,ST,PL,1/2-13X4-1/2" | 1           |
| 12              | 120-1082        | WASHER,LOCK,SPLIT,STEEL,PLATED,1/2"      | 1           |
| 13              | 120-1124        | NUT,HEX,STEEL,PLATED,1/2-13              | 1           |
| 14              | 631-31010       | ASSY,FLYWHEEL,3,GROVE,18" OD,R-U PUMP    | 1           |
| 15              | 631-38013       | GASKET,COVER,END,U-PUMP                  | 1           |
| 16              | 631-17279       | GASKET,COVER,END, .006,THK,Q-U PUMP      | 1           |
| 17              | 631-17278       | GASKET,COVER,END, .005,THK,Q-U PUMP      | 2           |
| 18              | 631-47957       | RIVET,UNLOADER,Q-M-R-U-PUMP              | 2           |
| 19              | 631-38195       | SPRING,BUMPER,WEIGHT,Q-M-R-U-T-PUMP      | 2           |
| 20              | 631-47952       | WEIGHT,COUNTER,UNLOADER,Q-M-R-U-PUMP     | 2           |
| 21              | 631-48350       | BREATHER TUBE REF: U,48350               | 2           |

## Parts List for Model U

NOTE: The quantity number indicates the total number of pieces required for a complete pump repair.  
When ordering parts give compressor model, serial number and part number. Order assemblies when possible.

| <u>REF. NO.</u> | <u>PART NO.</u> | <u>DESCRIPTION</u>                     | <u>QTY.</u> |
|-----------------|-----------------|--|-------------|
| 22              | 631-38074       | CONNECTOR,TEE,BREATHER,U-PUMP          | 1           |
| 23              | 631-38923       | TUBE,UNLOADING,U-PUMP                  | 1           |
| 24              | 631-76281       | CU VLV ASSY REF: QMRU, 76281           | 1           |
| 25              | 631-48070       | LOCKNUT REF QMRU, 48070                | 1           |
| 26              | 631-48069       | AIR VALVE REF:QMR, 48069               | 1           |
| 27              | 120-1022        | SCREW,CAP,HEXHD,GR5,ST,PLTD,5/16-18X1  | 6           |
| 28              | 631-48290       | CAP,BEARING,W/CUP,ASSY,PUMP,U          | 1           |
| 29              | 631-47958       | PLUNGER,UNLOADER,Q-M-R-U-PUMP          | 1           |
| 30              | 631-47956       | SPRING,UNLOADER,Q-M-R-U-PUMP           | 1           |
| 31              | 631-49913       | WGT RTNR & SHAFT ASSYREF:QMRU, 49913   | 1           |
| 32              | 631-9396        | FLYWHEEL KEY REF: RU, 9396             | 1           |
| 33              | 631-13620       | CONNECTOR,ELBOW,INTERCOOL,90 DEG,M-R-U | 3           |
| 34              | 631-48707       | INTERCOOLER R H REF: U, 48707          | 1           |
| 35              | 631-77687       | CYLINDER HEAD RH                       | 1           |
| 36              | 631-48337       | GSKT DIS MANIFOLD REF: U, 48337        | 2           |
| 37              | 631-48706       | INTERCOOLER L H REF: U, 48706          | 1           |
| 38              | 631-992         | SCREW,CAP,SOC HD,GR5,ST,PL,5/16-18X7/8 | 8           |
| 39              | 631-48310       | MANIFOLD DISCHARGE REF: U, 48310       | 1           |
| 40              | 631-77688       | CYLINDER HEAD LH                       | 1           |
| 41              | 9421632         | SCREW,CAP,SOC HD,GR5,ST,PL,5/16-18X3   | 4           |
| 42              | 631-48349       | ELBOW45DG INTRCLR CONTRREF:U, 48349    | 1           |
| 43              | 120-1002        | SCREW,CAP,HEXHD,GR5,ST,BLK,1/4-20X5/8  | 16          |
| 44              | 160-1057        | FILTER,INTAKE,AIR,1"NPTM,FA1           | 2           |

## Parts List for Model U

NOTE: The quantity number indicates the total number of pieces required for a complete pump repair.  
When ordering parts give compressor model, serial number and part number. Order assemblies when possible.

| <u>REF. NO.</u> | <u>PART NO.</u> | <u>DESCRIPTION</u>                       | <u>QTY.</u> |
|-----------------|-----------------|--|-------------|
| 45              | 160-1060        | ELEMENT,FILTER,INTAKE,AIR,U14,FE1        | 2           |
| 46              | 631-47939       | GASKET,HEAD,CYLINDER,M-U-PUMP            | 2           |
| 47              | 631-47925       | CYLINDER,M-U-PUMP                        | 2           |
| 48              | 631-47923       | GASKET,BASE,M-U-PUMP                     | 2           |
| 49              | 120-1032        | SCREW,CAP,HEXHD,GR5,ST,PLTD,3/8-16X1     | 12          |
| 50              | 631-47946       | RING,COMPRESSION,TOP,HP,M-U-PUMP         | 2           |
| 51              | 631-47968       | RING,COMPRESSION,BOTTOM,HP,M-U-PUMP      | 2           |
| 52              | 631-47947       | RING,OIL,PISTON,HP,3 PIECE,PUMP,U        | 2           |
| 53              | 631-47949       | PIN,WRIST,HP,M-U-PUMP                    | 2           |
| 54              | 631-37007       | PIN,ROLL,Q-M-R-U PUMP                    | 4           |
| 55              | 631-14319       | BEARING,PISTON,WRIST PIN,LP,Q-M-U PUMP   | 4           |
| 56              | 631-38275       | INSERT,BEARING,R-U-PUMP                  | 8           |
| 57              | 631-48284       | CONNECTING ROD ASSY REF: U, 48284        | 4           |
| 58              | 120-1077        | WASHER,LOCK,SPLIT,STEEL,PLATED,3/8"      | 8           |
| 59              | 631-14792       | BOLT,ROD,CONNECTING,PUMP,U               | 8           |
| 60              | 631-48675       | OIL FEEDER RING REF: U, 48675            | 1           |
| 61              | 631-47945       | PIN,WRIST,LP,M-U-PUMP                    | 2           |
| 62              | 631-47944       | PISTON,LP,M-U-PUMP                       | 2           |
| 63              | 631-47948       | PISTON,HP,M-U-PUMP                       | 2           |
| 64              | 631-47943       | RING,OIL,PISTON,3 PIECE,PUMP,U           | 2           |
| 65              | 631-47942       | RING,COMPRESSION,PISTON,W/SCRAPER,PUMP,U | 2           |
| 66              | 631-47941       | RING,COMPRESSION,PISTON,PUMP,U           | 2           |
| 67              | 631-690         | ELBOW,BREATHER CONNCTR,REF: U, 690       | 2           |

## Parts List for Model U

NOTE: The quantity number indicates the total number of pieces required for a complete pump repair.  
When ordering parts give compressor model, serial number and part number. Order assemblies when possible.

| <u>REF. NO.</u> | <u>PART NO.</u> | <u>DESCRIPTION</u>                       | <u>QTY.</u> |
|-----------------|-----------------|--|-------------|
| 68              | 631-48350       | BREATHER TUBE REF: U,48350               | 2           |
| 69              | 631-38074       | CONNECTOR,TEE,BREATHER,U-PUMP            | 1           |
| 70              | 631-47938       | GASKET,VALVE,HP,M-R-U-PUMP               | 4           |
| 71              | 631-50681       | VALVE ASSYH P INLET REF: MRU, 50681      | 2           |
| 72              | 631-47930       | CAGE,INLET,HP,M-R-U-PUMP                 | 2           |
| 73              | 631-48144       | VALVE LOCKNUT REF: MRU, 48144            | 4           |
| 74              | 631-47965       | FINGERS,HP,INLET,UNLADDER,M-R-U-PUMP     | 2           |
| 75              | 631-47931       | RING,O,HP,M-R-U-PUMP                     | 4           |
| 76              | 631-48139       | HLD DWN CVRHP(1/4 )REF:MRU, 48139        | 2           |
| 77              | 631-47934       | SCREW,CAP,COVER,5/16"-18 X 3/4",MRU-PUMP | 16          |
| 78              | 631-47992       | VALVE SPRING LP REF: MRU, 47992          | 4           |
| 79              | 631-47962       | RING,O,PLUNGER,PUMP,U                    | 4           |
| 80              | 631-47961       | PLUNGER,VALVE,INLET,HP,PUMP,U            | 4           |
| 81              | 631-47933       | RING,O,LP,M-R-U-PUMP                     | 4           |
| 82              | 631-15362       | ELBOW,MALE,BRASS,VALVE,INLET,PUMP,U      | 2           |
| 83              | 631-47966       | TUBE,UNLOADER,VALVE,HEAD-HEAD,PUMP,U     | 2           |
| 84              | 631-42384       | TEE,MALE,BRASS,VALVE,INLET,PUMP,U        | 2           |
| 85              | 631-48139       | HLD DWN CVRHP(1/4 )REF:MRU, 48139        | 1           |
| 86              | 631-47971       | CAGE,DISCHARGE,HP,M-R-U-PUMP             | 2           |
| 87              | 631-47936       | ASSY,VALVE,H P,DISCHARGE,M-R-U-PUMP      | 2           |
| 88              | 631-12949       | CONNECTOR,BREATHER,ELBOW,BR,Q-M-R PUMP   | 1           |
| 89              | 631-47937       | GASKET,VALVE,LP,M-R-U-PUMP               | 4           |
| 90              | 631-48141       | VALVE ASSY LP DISCHGREF:MRU, 48141       | 2           |

## Parts List for Model U

NOTE: The quantity number indicates the total number of pieces required for a complete pump repair.  
When ordering parts give compressor model, serial number and part number. Order assemblies when possible.

| <u>REF. NO.</u> | <u>PART NO.</u> | <u>DESCRIPTION</u>                           | <u>QTY.</u> |
|-----------------|-----------------|--|-------------|
| 91              | 631-47928       | CAGE,DISCHARGE,LP,M-R-U-PUMP                 | 2           |
| 92              | 631-47933       | RING,O,LP,M-R-U-PUMP                         | 4           |
| 93              | 631-48081       | HOLD DWN CVR LP DIS REF: U, 48081            | 2           |
| 94              | 631-8603        | INTERCOOLER SAFETY VALVE R:UT                | 2           |
| 95              | 631-47935       | ASSY,VALVE,L P,INLET,M-R-U-PUMP              | 2           |
| 96              | 631-47922       | CAGE,INLET,LP,M-R-U-PUMP                     | 2           |
| 97              | 631-47963       | FINGERS,LP,INLET,UNLOADER,M-R-W-PUMP         | 2           |
| 98              | 631-47960       | HOLD DOWN COVER LIP, INLET                   | 2           |
| 99              | 631-47993       | VLV SPRING HP REF: MRU, 47993                | 4           |
| 100             | 361-48307       | INTAKE GASKET OLD STYLE NOT SHOWN            | 2           |
| 101             | 160-1062        | ELEMENT,FILTER,INTAKE,AIR,U18,FE15 NOT SHOWN | 1           |
| 102             | 160-1058        | FILTER,INTAKE,AIR,1-1/2"NPTM,FA15 NOT SHOWN  | 1           |
| 103             | 631-79565       | LWR END OVERHAUL KIT MODEL U, 79565          | 1           |
| 104             | 631-79452       | SET GSKT REF: U, 79452                       | 1           |
| 105             | 631-79566       | VALVE OVERHAUL KIT MODEL U                   | 1           |
| 106             | 631-48177       | SET PISTON,RINGS REF: M U, 48177             | 2           |