

PARTS AND OPERATION MANUAL

STOW

A DIVISION OF MULTIQUIP INC.

PLASTER/MORTAR MIXERS

MS-40M

(Steel-Drum Mechanical)

Revision #1 (05/17/02)

MS-40M— SUGGESTED SPARE PARTS

MS40M 1 TO 3 UNITS

Qty.	P/N	Description
2	491010	RUBBER LATCH ASSY.
1	EM200293	PADDLE ARM TOW SIDE
1	EM200294	PADDLE ARM CENTER TOW SIDE
1	EM200295	PADDLE ARM CENTER ENGINE SIDE
1	EM200296	PADDLE ARM ENGINE SIDE
3	EM200863	RUBBER BLADE KIT (STEEL DRUM)
2	EM200297	U-BOLT
2	EM200268	U-BOLT
2	3530	PADDLE SHAFT, SEAL KIT
2	EM902153	BEARING, PADDLE SHAFT
3	EM963157	CONNECTOR BOLT
1	EM934041	CLUTCH, DRIVEN MEMBER

MS40M 5 TO 10 UNITS

Qty.	P/N	Description
4	491010	RUBBER LATCH ASSY.
2	EM200293	PADDLE ARM TOW SIDE
2	EM200294	PADDLE ARM CENTER TOW SIDE
2	EM200295	PADDLE ARM CENTER ENGINE SIDE
2	EM200296	PADDLE ARM ENGINE SIDE
6	EM200863	RUBBER BLADE KIT (STEEL DRUM)
4	EM200297	U-BOLT
4	EM200268	U-BOLT
4	3530	PADDLE SHAFT, SEAL KIT
4	EM902153	BEARING, PADDLE SHAFT
5	EM963157	CONNECTOR BOLT
2	EM934041	CLUTCH, DRIVEN MEMBER

NOTE

Part numbers on this Suggested Spare Parts List may supercede/replace the P/N shown in the text pages of this book.

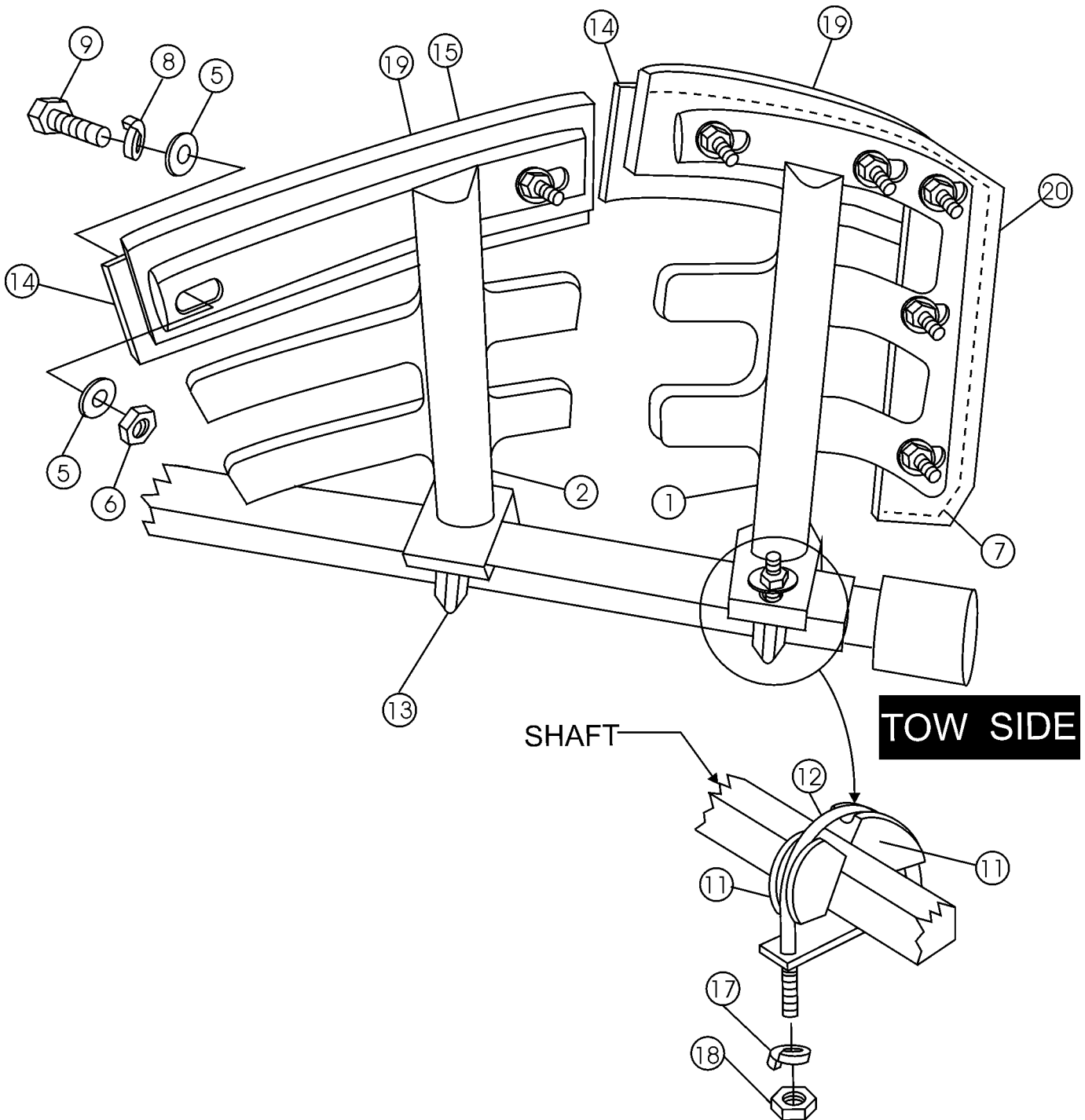
MS-40M — ENGINE SIDE PADDLE ASSY.

ENGINE SIDE PADDLE ASSY.

<u>NO</u>	<u>PART NO</u>	<u>PART NAME</u>	<u>QTY.</u>	<u>REMARKS</u>
3	EM200296	PADDLE ARM ENGINE SIDE	1	
4	EM200295	PADDLE ARM CENTER ENGINE SIDE	1	
5	0300B	FLAT WASHER 5/16	28	
6	0161D	HEX NUT 5/16	14	
7*#	EM203433	END BACK-UP BLADE	2	
8	0161C	LOCK WASHER 5/16	14	
9	1207	HHCS 5/16-18 1 3/4"	14	
11	EM200292	PADDLE ARM INSERT CASTING	8	
12	EM200297	END PADDLE U-BOLT	2	
13	EM200268	CENTER PADDLE J-BOLT	2	
14*#	EM203432	CENTER BACK-UP BLADE	4	
17	5054A	LOCK WASHER 1/2"	8	
18	968011	HEX NUT 1/2-13	8	
19*	EM200212	TOP RUBBER BLADE	4	
20*	EM200213	END RUBBER BLADE	2	
	EM200863	BLADE KIT(STEEL DRUM ONLY)	1	INCLUDES ITEMS W/* AND MTG. HDW.

MS-40M — TOW SIDE PADDLE ASSY.

TOW SIDE PADDLE ASSY.



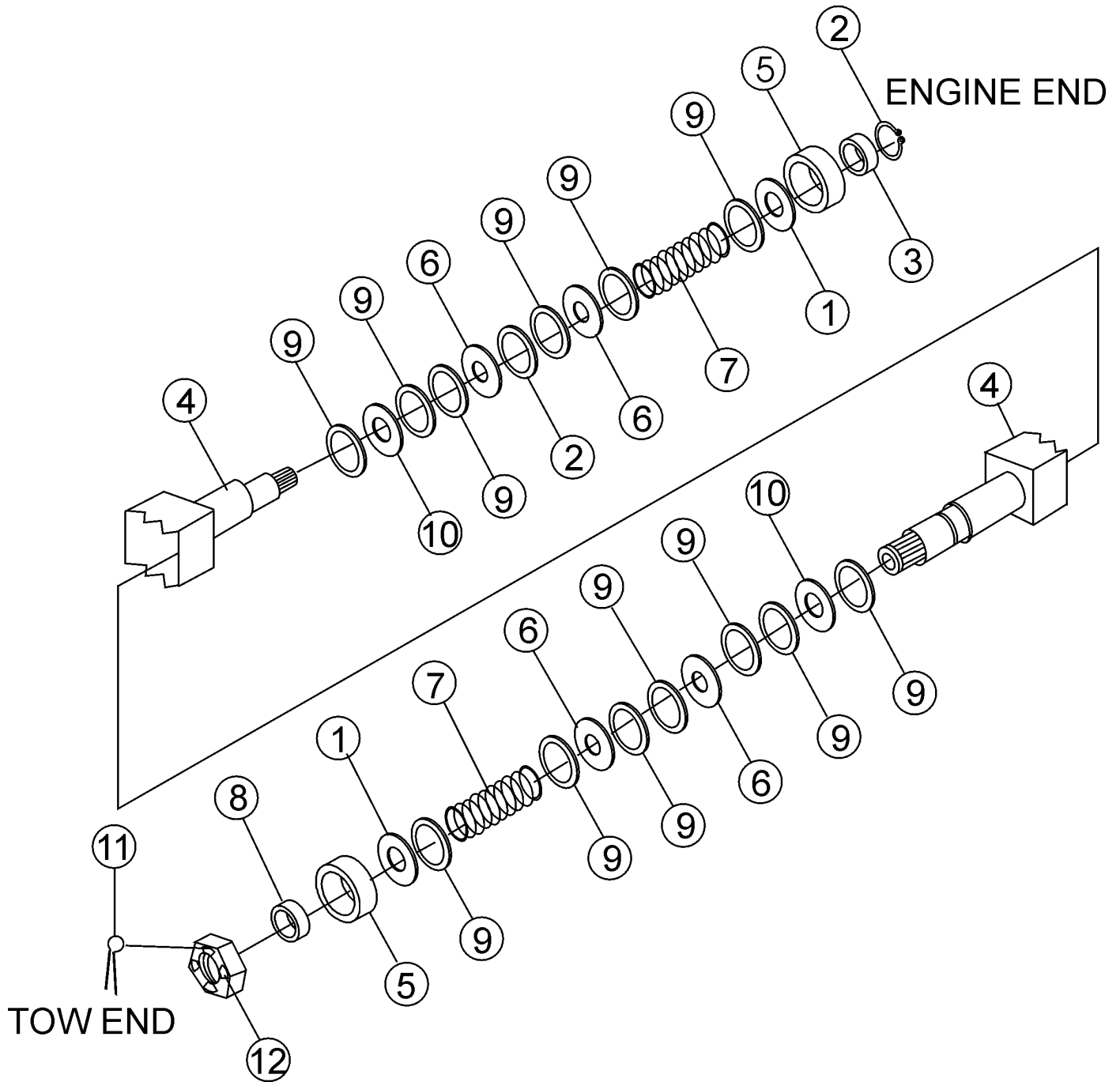
MS-40M — TOW SIDE PADDLE ASSY.

TOW SIDE PADDLE ASSY.

<u>NO</u>	<u>PART NO</u>	<u>PART NAME</u>	<u>QTY.</u>	<u>REMARKS</u>
1	EM200293	PADDLE ARM TOW SIDE	1	
2	EM200294	PADDLE ARM CENTER TOW SIDE	1	
5	0300B	FLAT WASHER 5/16	28	
6	0161D	HEX NUT 5/16	14	
7*#	EM203433	END BACK-UP BLADE	2	
8	0161C	LOCK WASHER 5/16	14	
9	1207	HHCS 5/16-18 1 3/4"	14	
11	EM200292	PADDLE ARM INSERT CASTING	8	
12	EM200297	END PADDLE U-BOLT	2	
13	EM200268	CENTER PADDLE U-BOLT	2	
14*#	EM203432	CENTER BACK-UP BLADE	4	
17	5054A	LOCL WASHER 1/2"	8	
18	968011	HEX NUT 1/2-13	8	
19*	EM200212	TOP RUBBER BLADE	4	
20*	EM200213	END RUBBER BLADE	2	
	EM200863	BLADE KIT(STEEL DRUN ONLY)	1	INCLUDES ITEMS W/* AND MTG. HDW.

MS-40M — PADDLE SHAFT ASSY.

TOW SIDE PADDLE ASSY.



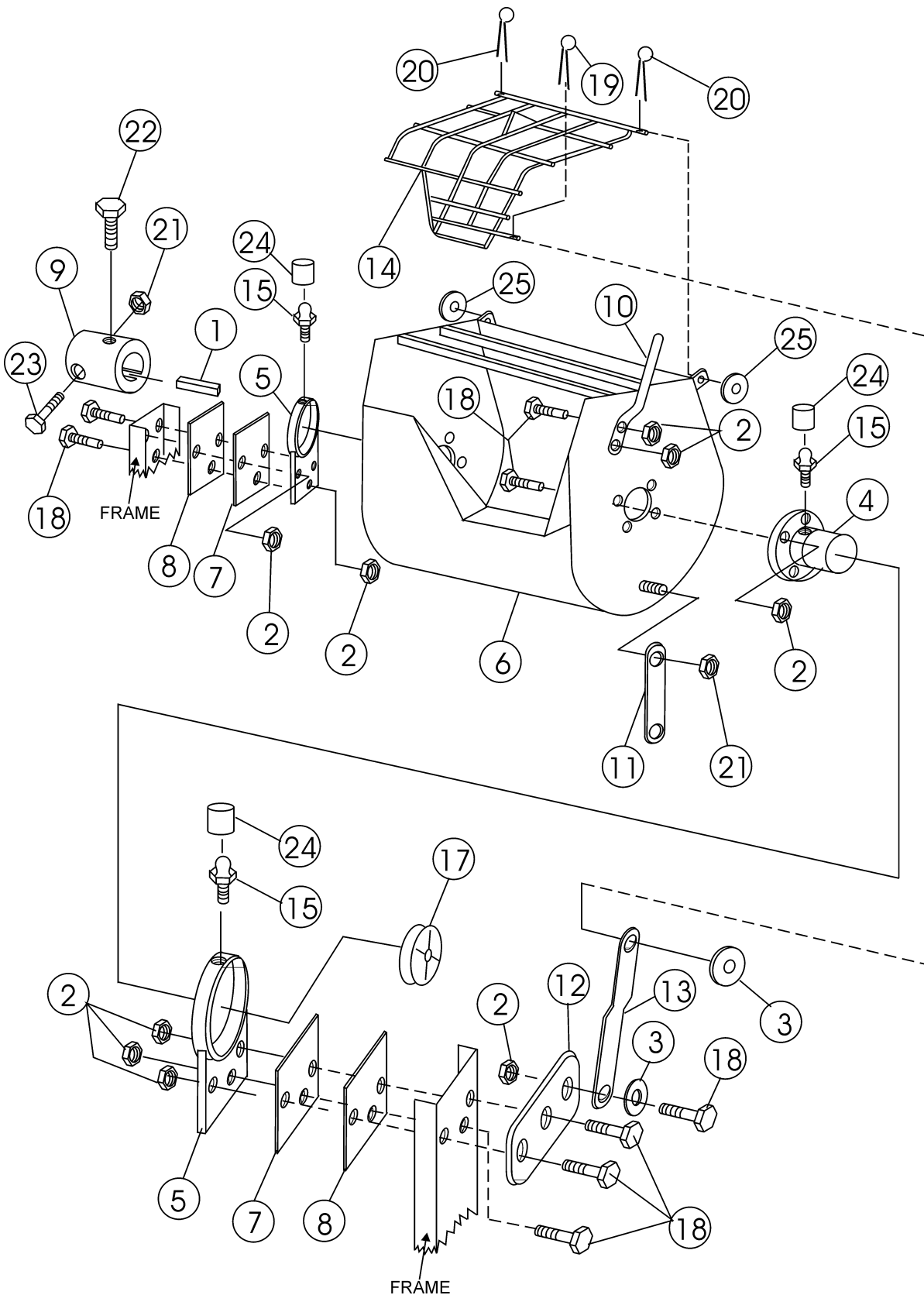
MS-40M — PADDLE SHAFT ASSY.

TOW SIDE PADDLE ASSY.

NO	PART NO	PART NAME	QTY.	REMARKS
1*	13002	SEAL BEARING 1-1/2 ID	2	
2	13348	RING, SNAP	1	
3	13349	SPACER, SNAP RING	1	
4	13344	SHAFT, PADDLE	1 STEEL DRUM ONLY
5	EM902153	BEARING, BALL	2	
6*	3019	SEAL PADDLE SHAFT, 1-1/8 ID	4	
7	3024	SPRING PADDLE SHAFT	2	
8	3047	SPACER, 2 X 1-1/8 X 1/4L	1	
9	3061	SPACER 2-7/8 X 2-1/8 X .105	14	
10*	3494	SEAL, URETHANE 1-1/4 ID	2	
	3530	PADDLE SHAFT SEAL KIT	1 INCLUDES ITEMS W/*

MS-40M — STEEL DRUM ASSY.

STEEL DRUM ASSY.

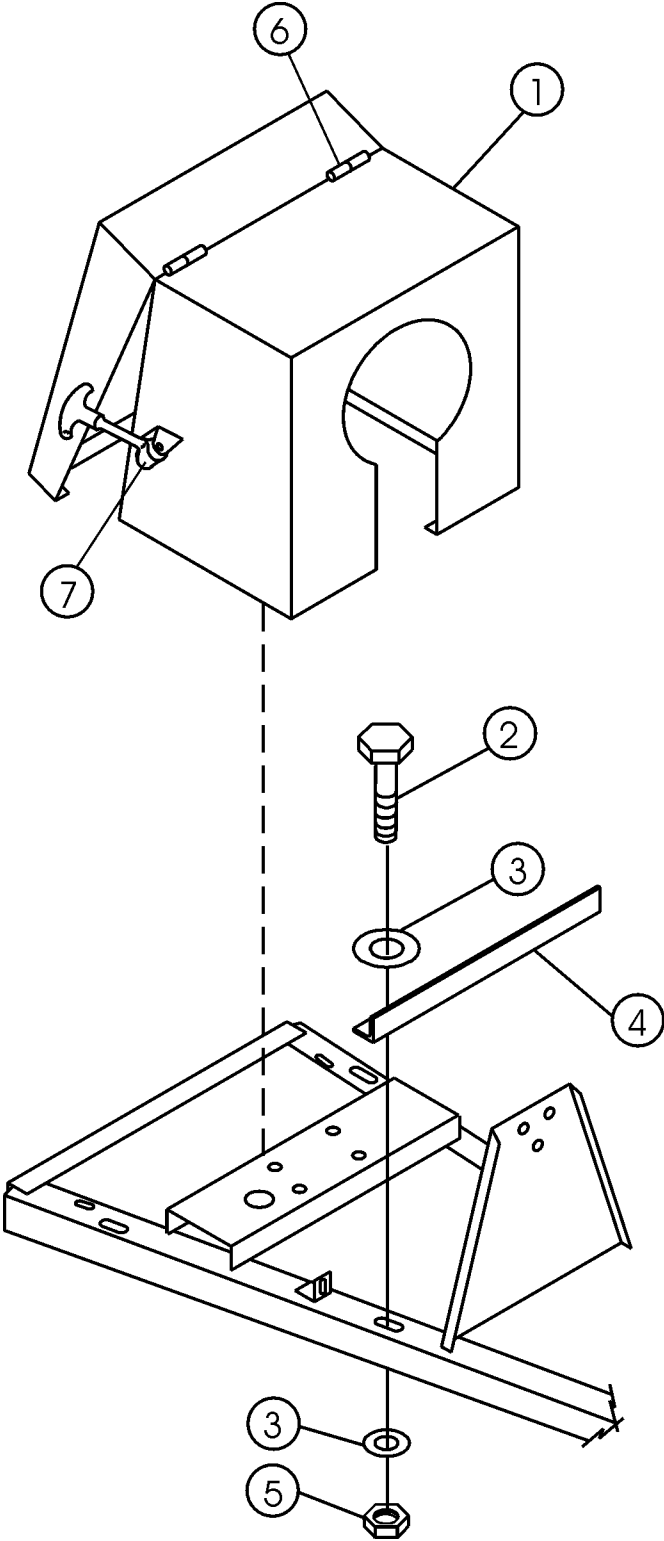


MS-40M — STEEL DRUM ASSY.

STEEL DRUM ASSY.

<u>NO</u>	<u>PART NO</u>	<u>PART NAME</u>	<u>QTY.</u>	<u>REMARKS</u>
1	EM010022	KEY, 3/8 SQ X 1 3/4	1	
2	10176	NUT, NYLOC 1/2-13	17	
3	13211	WASHER, FLAT, 1/2 USS	4	
4	13277Y	BOSS, BEARING	2	
5	13345Y	BEARING BRACKET	2	
6	13346Y	TUB, STEEL	1	
7	EM200079	SHIM, BEARING BRKT. .135	2	
8	EM200080	SHIM, BEARING BRKT. .187	2	
9	EM200255	COUPLER, PADDLE SHAFT	1	
10	EM201537Y	DUMP LEVER	1	
11	EM201731Y	DRUM LATCH	1	
12	EM203335Y	HINGE, GRILL CLOSING BAR	1	
13	EM203344Y	BAR, GRILL OPENING	1	
14	EM203449	GRILL, DRUM	1	
15	2621	ZERK, GREASE STR 1/4-28	4	
16	3214	SCREW, HHC 1/2-13 X 1 1/4	3	
17	3249	CAP, DUST	1	
18	5218	SCREW, HHC 1/2-13 X 1 1/2	12	
19	7170	PIN, HITCH CLIP, 5/32 X 3-5/16	1	
20	EM924015	PIN, COTTER, 3/16 X 1	2	
21	9503	NUT, NYLOC 5/8-11	2	
22	EM961019	SCREW, SQHS, 3/8-16 X 1-1/4, CUP	2	
23	EM963157	SCREW, HHC 5/8-11 X 4-1/2, GR2	1	
24	1162A	CAP, GREASE ZERK	1	

CAB ASSY.

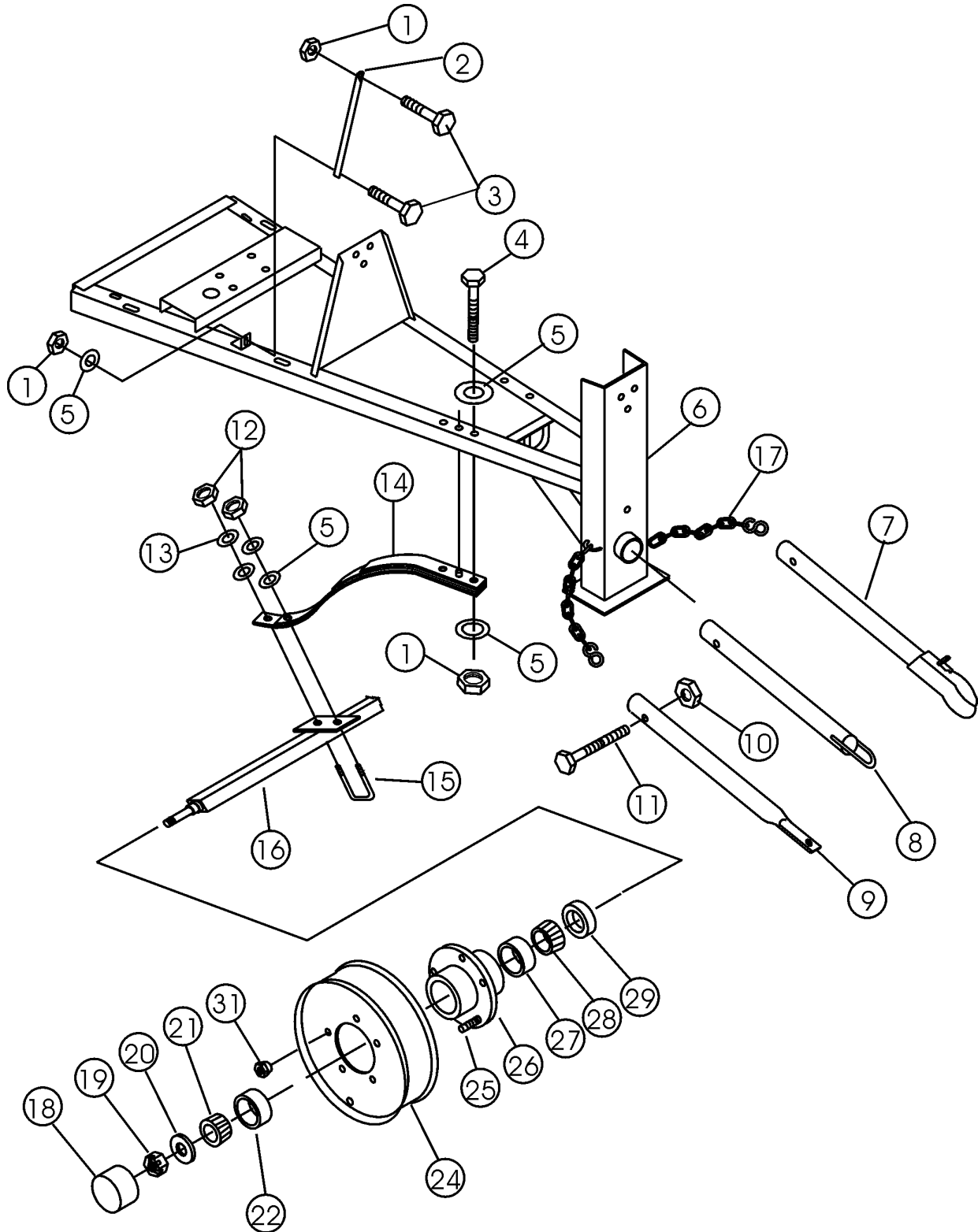


CAB ASSY.

<u>NO</u>	<u>PART NO</u>	<u>PART NAME</u>	<u>QTY.</u>	<u>REMARKS</u>
1	EM202957Y	CAB DOOR, COMPLETE ASSY.	1	
2	1284	HHCS 3/8-16 X 1.1/2"	4	
3	4001	FLAT WASHER 3/8"	8	
4	202771	CAB FRONT SUPPORT ANGLE	1	
5	10133	LOCK NUT 3/8-16	4	
6	13333Y	LATCH PIN ASSY.	2	
7	491010	RUBBER LATCH ASSY.	2	

MS-40M — FRAME, WHEEL, TIRE AND HUB ASSY.

FRAME, WHEEL, TIRE AND HUB ASSY.



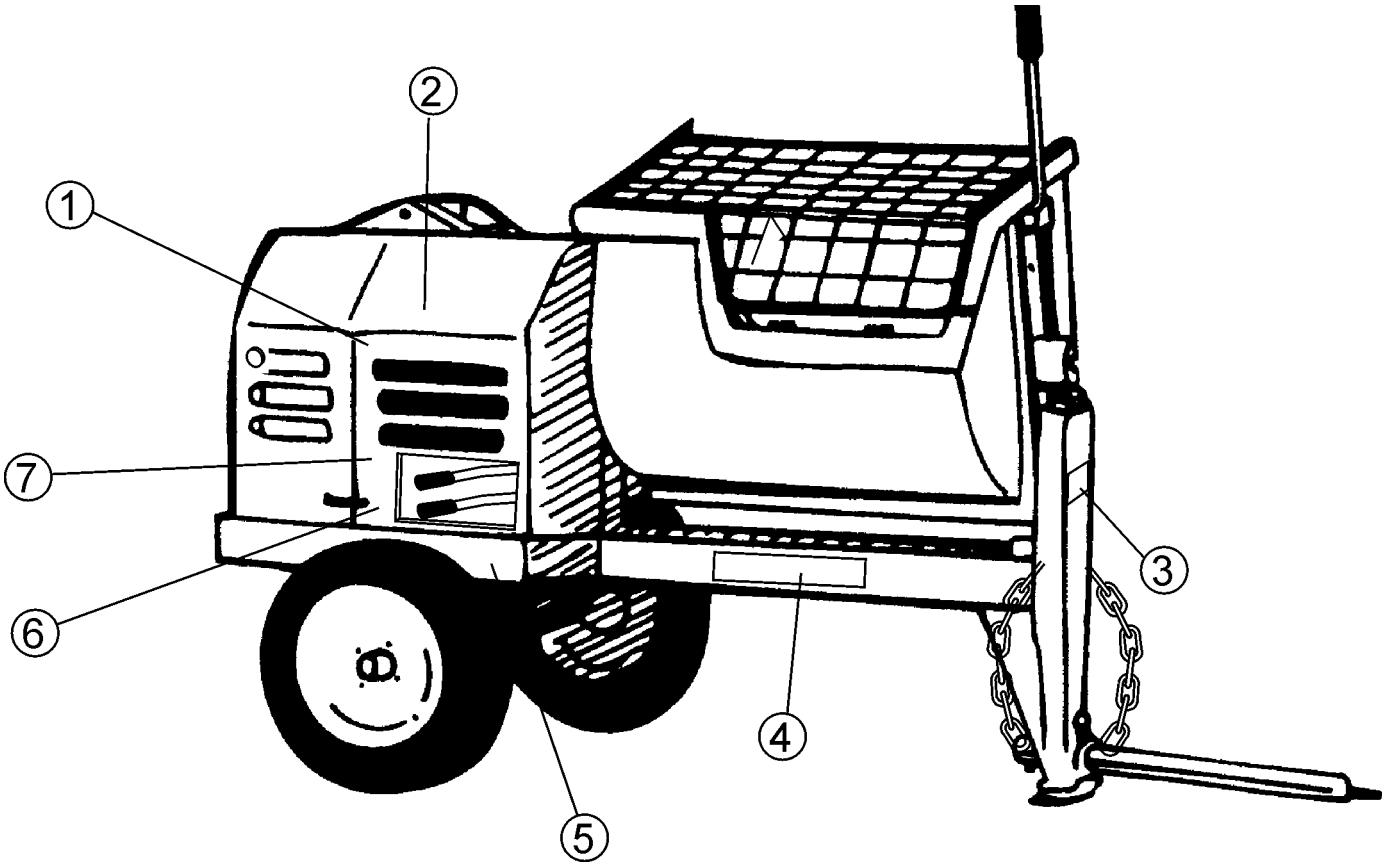
MS-40M — FRAME, WHEEL, TIRE AND HUB ASSY.

FRAME, WHEEL, TIRE AND HUB ASSY.

<u>NO</u>	<u>PART NO</u>	<u>PART NAME</u>	<u>QTY.</u>	<u>REMARKS</u>
1	10176	LOCK NUT 1/2-13	8	
2	EM204086	TRANSMISSION SUPPORT BAR	2	
3	5218	HHCS 1/2-13 X 1.1/2"	4	
4	2549	HHCS 1/2-13 X 3"	4	
5	0447	FLAT WASHER 1/2"	14	
6	EM202765Y	FRAME W/A	1	
7	EBC-1	BALL HITCH TOW BAR.....	1 CONTACT UNIT SALES DEPT.
8	ELC-1	PINTLE EYE TOW BAR.....	1 CONTACT UNIT SALES DEPT.
9	EDC-1	PIN HOLE TOW BAR.....	1 CONTACT UNIT SALES DEPT.
10	5070B	LOCK NUT 3/4-10	1	
11	EM963580	HHCS 3/4-10 X 4.1/2"	1	
12	8244	HEX NUT 1/2-20	4	
13	5054A	LOCK WASHER 1/2"	4	
14	EM201225	AXLE SPRING	2	
15	EM966204	SQUARE AXLE U-BOLT 1.1/2"	2	
16	EM202983	AXLE	1	
17	13363	SAFETY CHAIN ASSY.	2	
18#	EM941278	GREASE CAP	2	
19#	EM968302	AXLE NUT	2	
20#	EM923161	AXLE WASHER	2	
21#	EM903113	OUTER BEARING CONE	2	
22#	EM903012	OUTER BEARING CUP	2	
24#	EM941257	WHEEL 13 X 4.1/2-5 ON 4.1/2" BC	2	
25#	EM941279	SERRATED WHEEL STUD	10	
26#	EM941277	HUB INC.	2	
27#	EM903169	INNER BEARING CUP	2	
28#	EM903168	INNER BEARING CONE	2	
29#	EM914324	SEAL	2	
31	EM941280	WHEEL NUT	10	

MS-40M — NAME PLATE AND DECALS

NAME PLATE AND DECALS



MS-40M — NAME PLATE AND DECALS

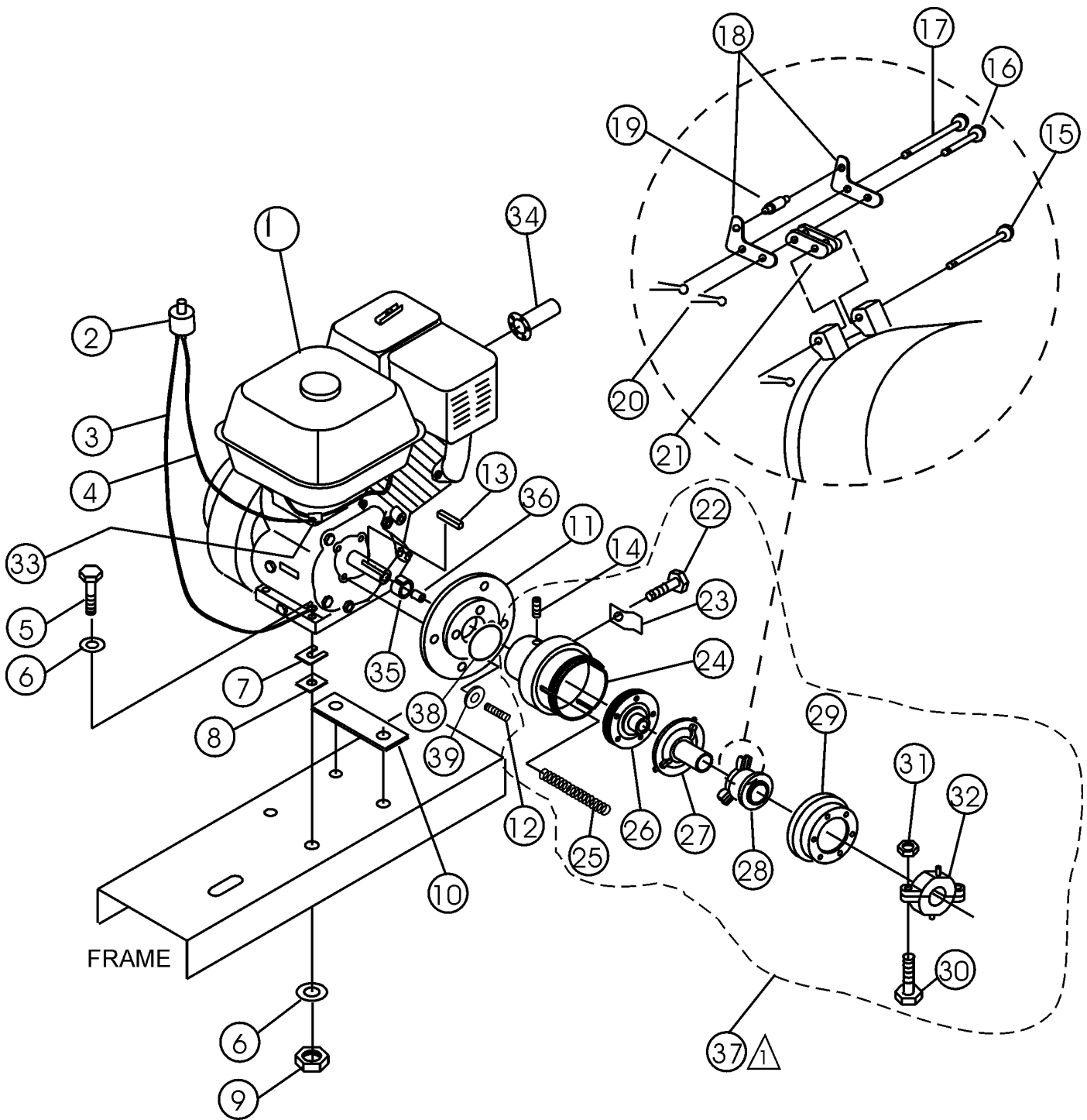
NAME PLATE AND DECALS

<u>NO</u>	<u>PART NO</u>	<u>PART NAME</u>	<u>QTY.</u>	<u>REMARKS</u>
1	EM948423	DECAL : CAUTION	2	
2	EM924801	DECAL : SAFETY INSTRUCTIONS	1	
3		PLATE, SERIAL NO.....	1 CONTACT MQ SERVICE DEPT. W/MODEL & S/N
4	TBD	DECAL : MQ STOW	1	
5	DCL151	DECAL : INSPECT TOWING	2	
6	13238	DECAL : DUMP CONTROL	1	
7	511764	DECAL : DRIVE CONTROL	1	

SEE DECAL ILLUSTRATIONS ON PAGE 6.

MS-40M — HONDA ENGINE ASSY.

HONDA ENGINE ASSY.



NOTES:

△ COMPLETE CLUTCH ASSEMBLY,
ITEM 37, P/N 934022 INCLUDES
ALL ITEMS WITHIN OUTLINE.

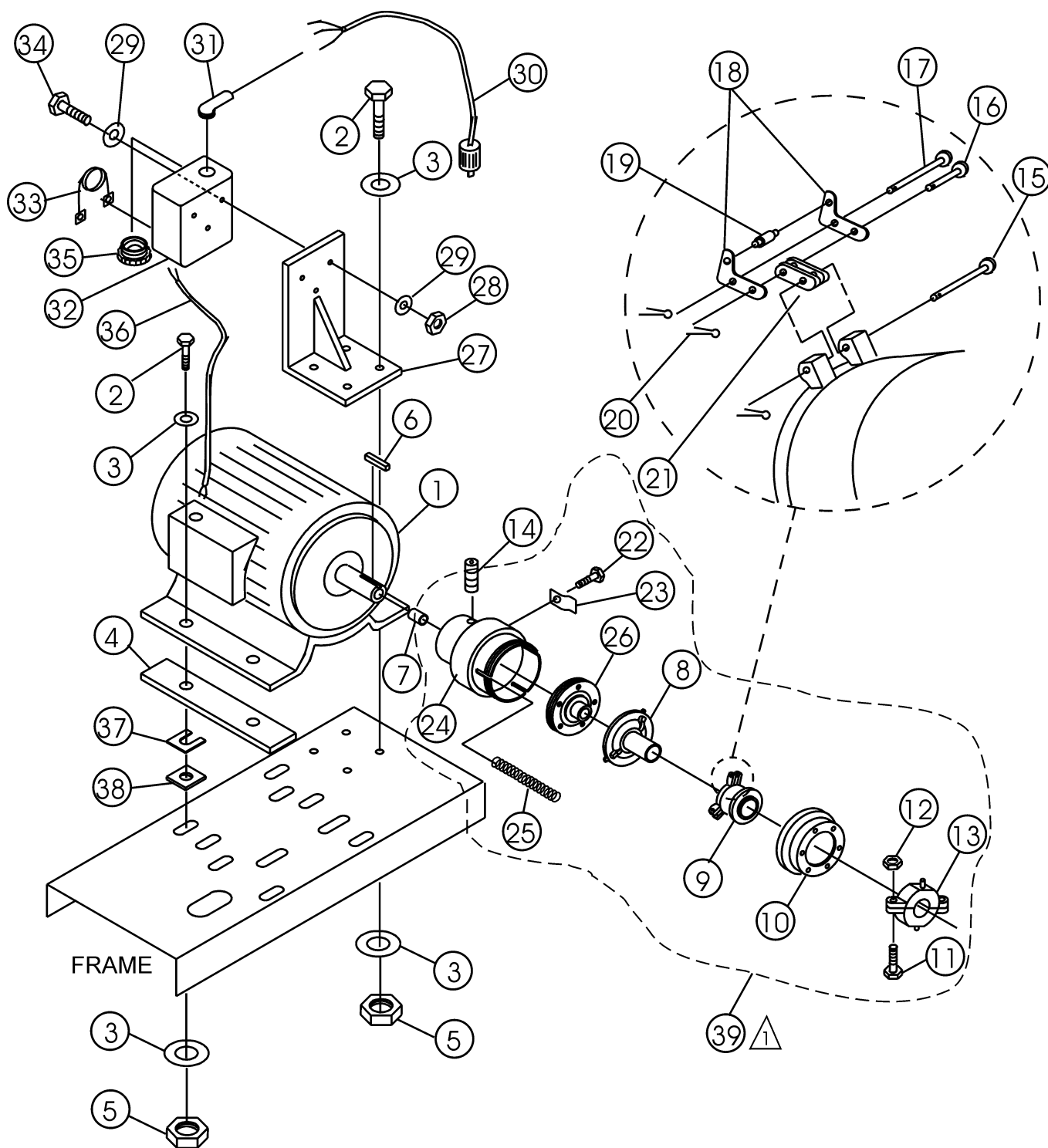
MS-40M — HONDA ENGINE ASSY.

HONDA ENGINE ASSY.

<u>NO</u>	<u>PART NO</u>	<u>PART NAME</u>	<u>QTY.</u>	<u>REMARKS</u>
1	EM203039	11HP HONDA ENGINE	1	
2	EM940734	KILL SWITCH	1	
3	EM203298	ENGINE KILL GROUND WIRE	1	
4	EM203035	ENGINE KILL WIRE	1	
5	9154	HHCS 3/8-16 X 1.3/4"	4	
6	10136	FLAT WASHER 3/8"	8	
7	EM100235	ENGINE SHIM .030	AR	
	EM100236	ENGINE SHIM .018	AR	
	EM100237	ENGINE SHIM .010	AR	
8	EM203007	ENGINE PAD .187	AR	
	EM203016	ENGINE PAD .135	AR	
	EM203017	ENGINE PAD .060	AR	
9	10133	LOCK NUT 3/8-16	4	
10	EM204550	MOTOR MOUNT	2	
11	EM203038	ADAPTER KIT	1	INCLUDES ITEMS W/*
12*	11090	STUD, 3/8 SHC	4	
13	EM927066	SQ KEY	1	
14	EM961045	SHSS 5/16-18 X 1/2"NYLOC	1	
15#	EM925013	LEVER PIN	3	
16#	EM925018	SHORT LINK PIN	3	
17#	EM925016	LONG LINK PIN	3	
18#	EM959012	LEVER	6	
19#	EM934054	ROLLER	3	
20#	5117	COTTER PIN	9	
21#	EM934053	CONNECTING LINK	6	
22	9503	SLOTTED HHCS 1/4-20 X 1/2"	1	
23#	EM934040	ADJUSTING LOCK	1	
24#	EM934039	CLUTCH HOUSING	1	
25#	EM918009	SPRING	3	
26#	EM934041	SPLINED CENTER W/FACING	1	
27#	EM934042	PRESSURE PLATE ASM	1	
28#	EM934043	RELEASE SLEEVE	1	
29#	EM934045	ADJUSTING RING	1	
30#	EM963289	BOLT	2	
31#	EM969009	LOCK NUT	2	
32#	EM934044	RELEASE BEARING ASM	1	
33	1475	WIRE SPLICE	1	
34	EM203149	EXHAUST DEFLECTOR	1	
35*	EM203040	SLEEVE	1	
36	EM801570	PILOT BUSHING	1	
37	EM934022	CLUTCH ASM	1	INCLUDES ITEMS/W#
38*	13377	OIL SEAL	4	
39*	13379	COPPER WASHER	4	

MS-40M — ELECTRIC MOTOR ASSY.

ELECTRIC MOTOR ASSY.



NOTES:

△ COMPLETE CLUTCH ASSEMBLY, ITEM 39, P/N 934022 INCLUDES ALL ITEMS WITHIN OUTLINE.

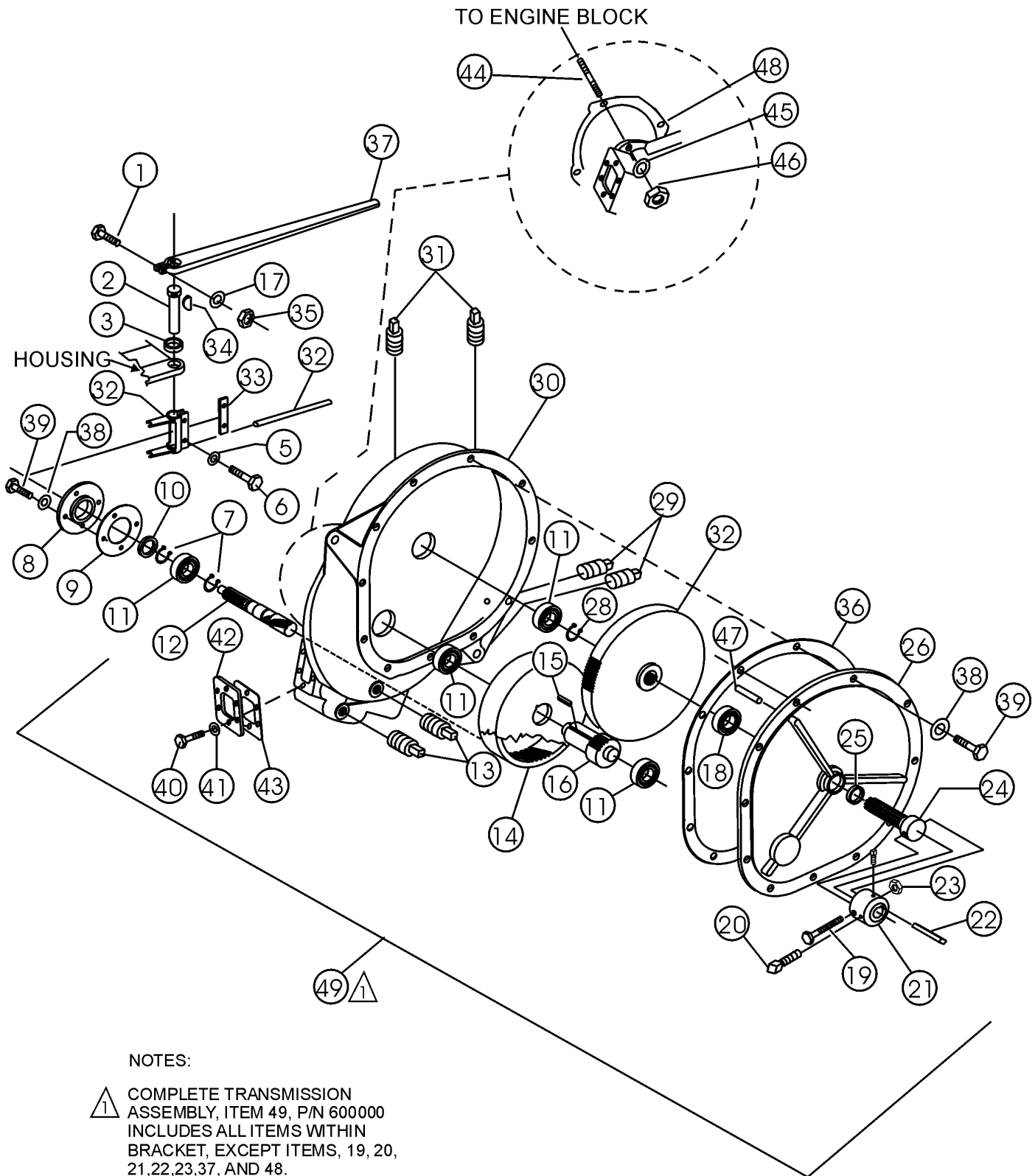
MS-40M — ELECTRIC MOTOR ASSY.

ELECTRIC MOTOR ASSY.

<u>NO</u>	<u>PART NO</u>	<u>PART NAME</u>	<u>QTY.</u>	<u>REMARKS</u>
1	EM939228	5 HP 1 PHASE ELECT MOTOR	1	
1	EM239229	5 HP 3 PHASE ELECT MOTOR	1	
2	1023	HHCS 3/8-16 X 1.1/4"	8	
3	10136	FLAT WASHER 3/8"	16	
4	EM204549	MOTOR MOUNT	2	
5	10133	LOCK NUT 3/8-16	8	
6	EM010009	SQ KEY	1	
7	EM801570	BUSHING	1	
8	EM934042	PRESSURE PLATE ASM	1	
9#	EM934043	RELEASE SLEEVE	1	
10#	EM934045	ADJUSTING RING	1	
11#	EM963289	BOLT	2	
12#	EM969009	LOCK NUT	2	
13#	EM934044	RELEASE BEARING ASM	1	
14#	EM961045	SHSS 5/16-18 X 1/2" NYLOC	1	
15#	EM925013	LEVER PIN	3	
16#	EM925018	SHORT LINK PIN	3	
17#	EM925016	LONG LINK PIN	3	
18#	EM959012	LEVER	6	
19#	EM934054	ROLLER	3	
20#	5117	COTTER PIN	9	
21#	EM934053	CONNECTING LINK	6	
22	9503	SLOTTED HHCS 1/4-20 X 1/2"	1	
23#	EM934040	ADJUSTING LOCK	1	
24#	EM934039	CLUTCH HOUSING	1	
25#	EM918009	SPRING	3	
26#	EM934041	SPLINED CENTER W/FACING	1	
27	EM204526	MOUNT BRKT	1	
28	10019	LOCK NUT 10-32	3	
29	2203	FLAT WASHER #10	6	
30	EM201794	PIG TAIL	1	
31	0174	90 DEG ELBOW	1	
32	EM940228	MOTOR STARTER 1 PHASE	1	
32	3482	MOTOR STARTER 3 PHASE	1	
33	EM940198	HEATER 1 PHASE	1	
33	EM940209	HEATER 3 PHASE	1	
34	8133	RHMS 10-32 X 3/4"	3	
35	EM940184	REDUCER BUSHING	1	
36	EM012295	CONDUIT	1	
37	EM100235	ENGINE SHIM .030	AR	
	EM100236	ENGINE SHIM .018	AR	
	EM100237	ENGINE SHIM .010	AR	
38	EM203007	ENGINE PAD .187	AR	
	EM203016	ENGINE PAD .135	AR	
	EM203017	ENGINE PAD .060	AR	
39	EM934022	CLUTCH ASM	1	INCLUDES ITEMS/W#

MS-40M — TRANSMISSION ASSY.

TRANSMISSION ASSY.



NOTES:

- △ COMPLETE TRANSMISSION ASSEMBLY, ITEM 49, P/N 600000 INCLUDES ALL ITEMS WITHIN BRACKET, EXCEPT ITEMS, 19, 20, 21, 22, 23, 37, AND 48.

MS-40M — TRANSMISSION ASSY.

TRANSMISSION ASSY.

<u>NO</u>	<u>PART NO</u>	<u>PART NAME</u>	<u>QTY.</u>	<u>REMARKS¹</u>
1#	2200	HHCS 3/8-24 X 2"	1	
2#	EM600029	SHIFTER SHAFT	1	
3#	EM914005	SEAL	1	
4#	EM600028	CLUTCH YOKE	1	
5#	0181B	LOCK WASHER 1/4"	2	
6#	0730	HHCS 1/4-20 X 1"	2	
7#	EM926029	SNAP RING	2	
8#	EM600023	BEARING RETAINER	1	
9#	EM600022	BEARING RETAINER GASKET	1	
10#	914209	SEAL	1	
11#	EM902091	BALL BEARING	4	
12#	EM600016	INPUT PINION SHAFT	1	
13#	EM911329	SQ HEAD MAG. PINE PLUG 3/8"	2	
14#	EM600020	INTERNAL GEAR	1	
15#	EM010062	SQ KEY 3/8 X 1.3/8"	1	
16#	EM600131	OUTPUT DRIVE PINION	1	
17#	10136	FLAT WASHER 3/8"	1	
18#	EM902161	BALL BEARING	1	
19	EM963157	HHCS 5/8-11 X 4.1/2" GD2	1	
20	EM961019	SQHSS3/8-16 X 1.1/4" CUP	2	
21	EM200255	PADDLE SHAFT COUPLER	1	
22	EM010022	SQ KEY 3/8 X 3/8 X 1.3/4'	1	
23	9503	LOCK NUT 5/8-11	1	
24#	600015	OUTPUT SHAFT	1	
25#	914207	OIL SEAL	1	
26#	600014	TRANSMISSION COVER	1	
27#	EM600133	OUTPUT SHAFT GEAR	1	
28#	EM926036	SNAP RING	1	
29#	EM911064	SQ HEAD PINE PLUG 1/2 NPT	2	
30#	EM600012	MAIN TRANSMISSION HOUSING	1	
31#	EM911356	BREATHER VENT PIPE PLUG 1/2"	2	
32#	EM600133	ROLL PIN	1	
33#	EM600024	LOCK PLATE	1	
34#	EM927048	WOODRUFF KEY #A	1	
35#	10133	LOCK NUT 3/8-16	1	
36#	EM600021	TRANSMISSION COVER GASKET	1	
37	EM600018	SHIFTER LEVER	1	
38#	0161C	LOCK WASHER 3/8"	17	
39#	0202	HHCS 5/8-16 X 1"	17	
40#	4196	HHCS 3/8-16 X 3/4"	6	
41#	1875	INTER. SHKP WASHER 3/8"	6	
42#	EM931233	SHIFTER COVER	1	
43#	EM600026	SHIFTER COVER GASKET	1	
44#	EM300999	STUD 7/16-14 X 2.1/16"	4	
45#	2955	LOCK WASHER 7/16"	4	
46#	EM968010	HEX NUT 7/16-14	4	
47#	EM925109	DOWEL PIN	3	
48	EM801965	GASKET	1	
49	EM600000	COMP.TRANS. ASM.	1	INCLUDES ITEMS W/#