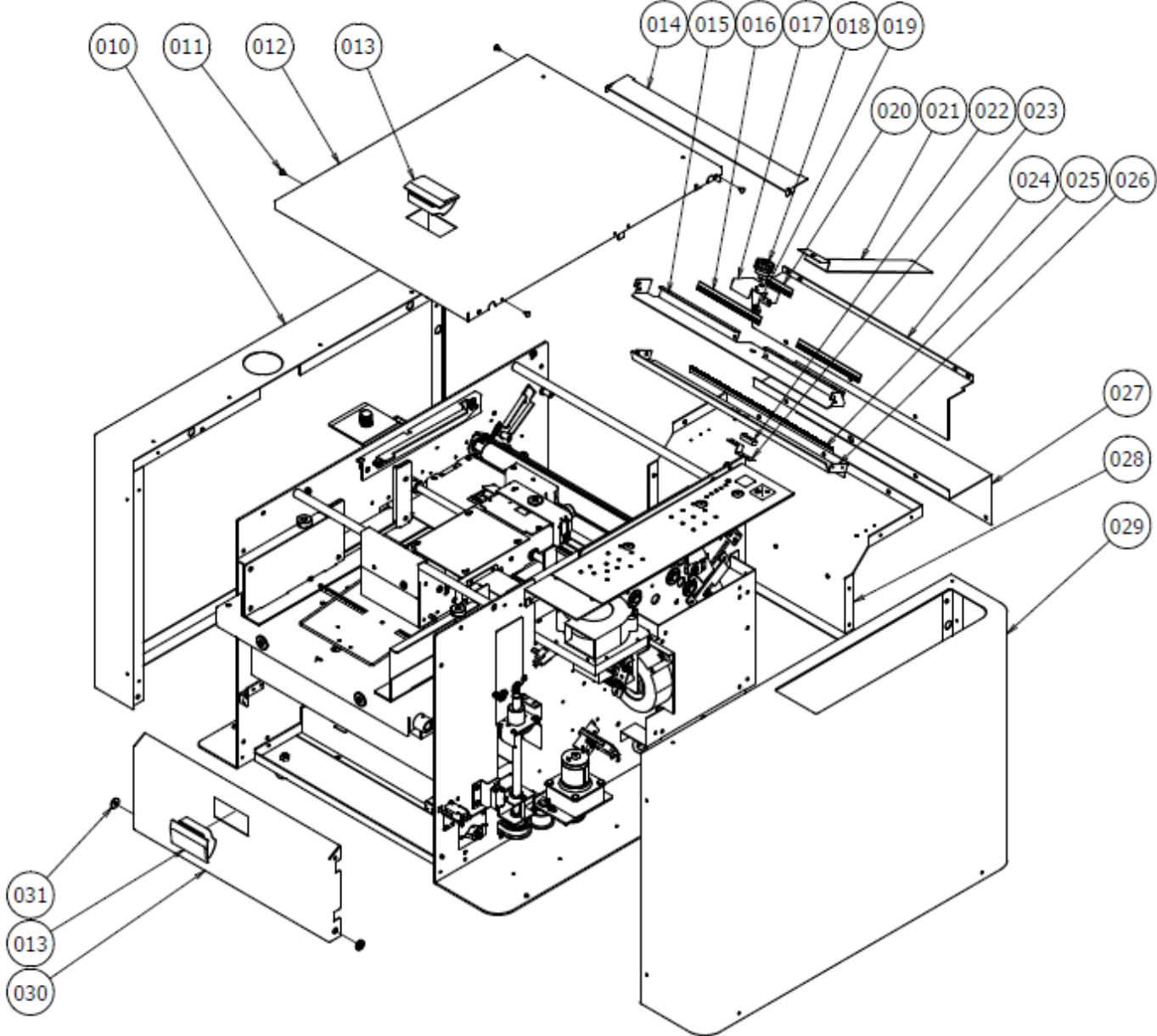
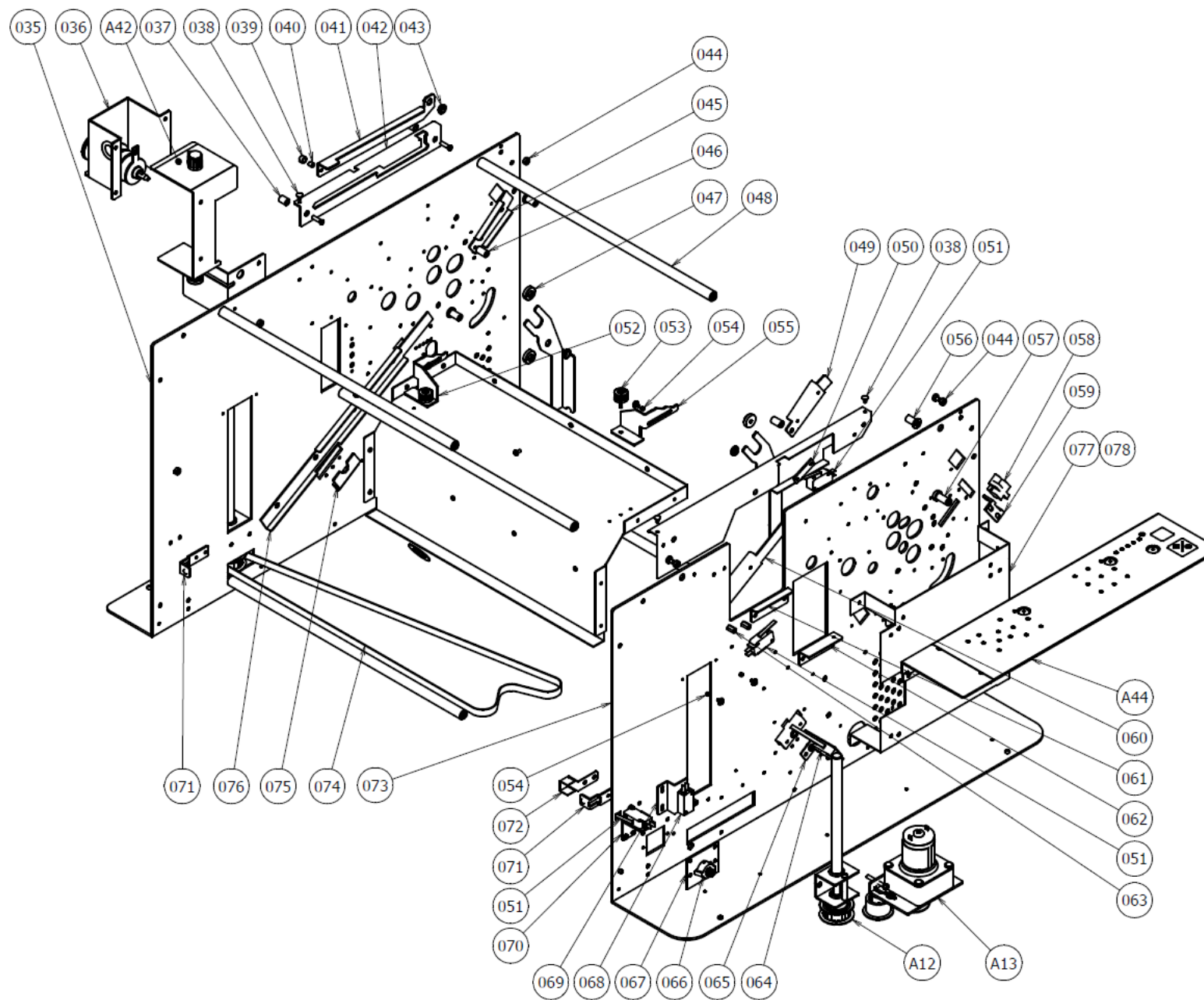


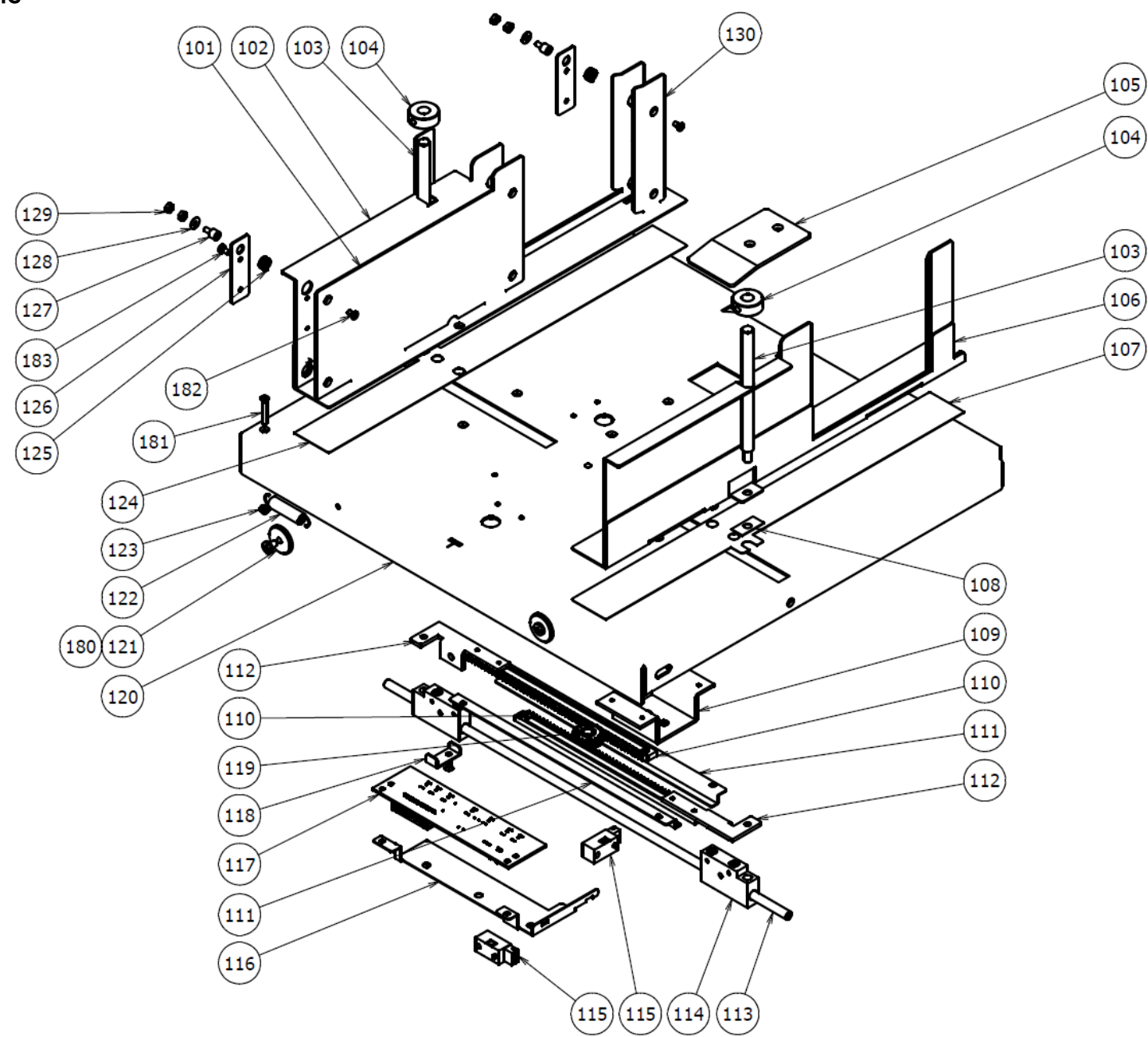
1. A01 ; Cover of the body



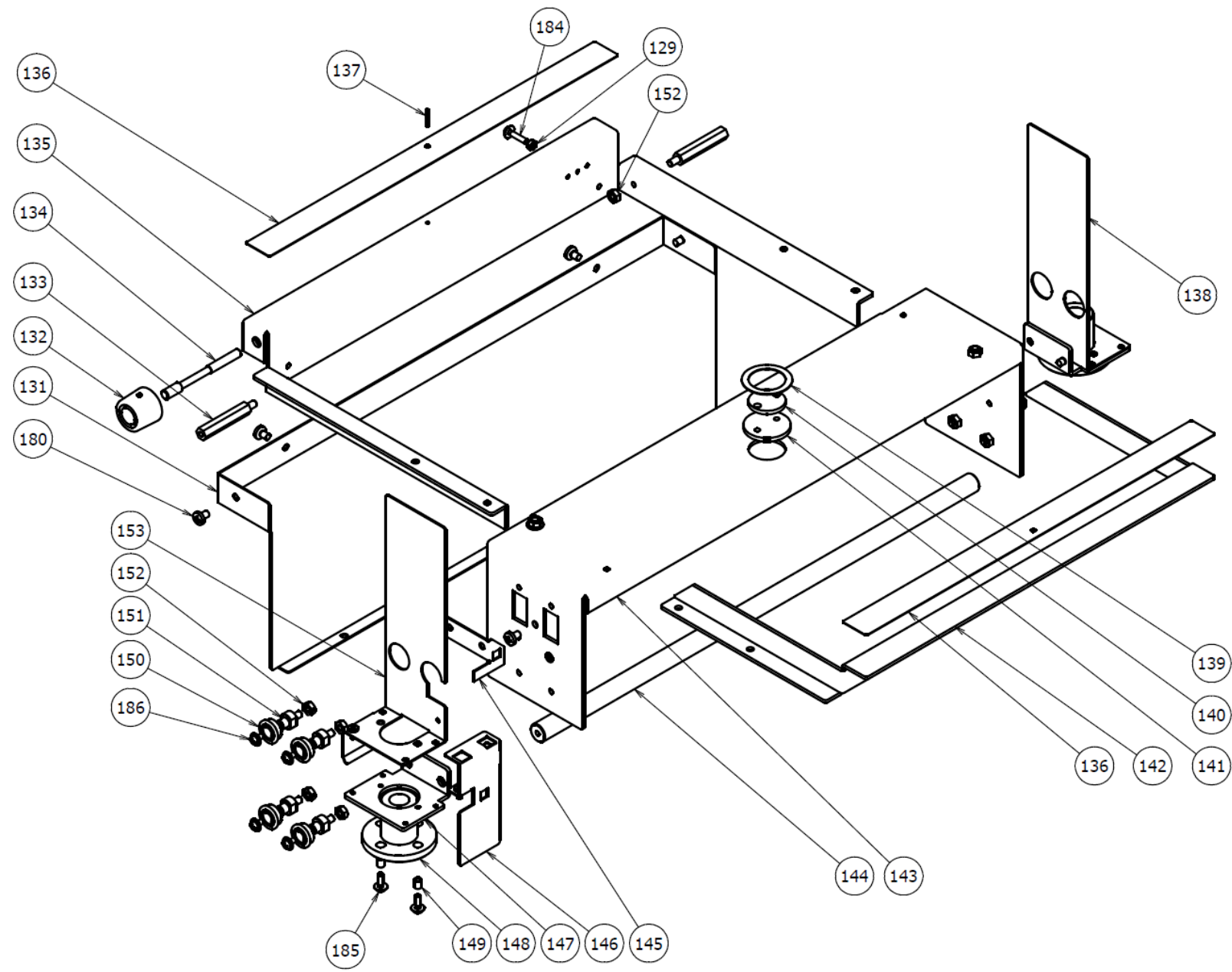
2. A02; Sideplate of the body



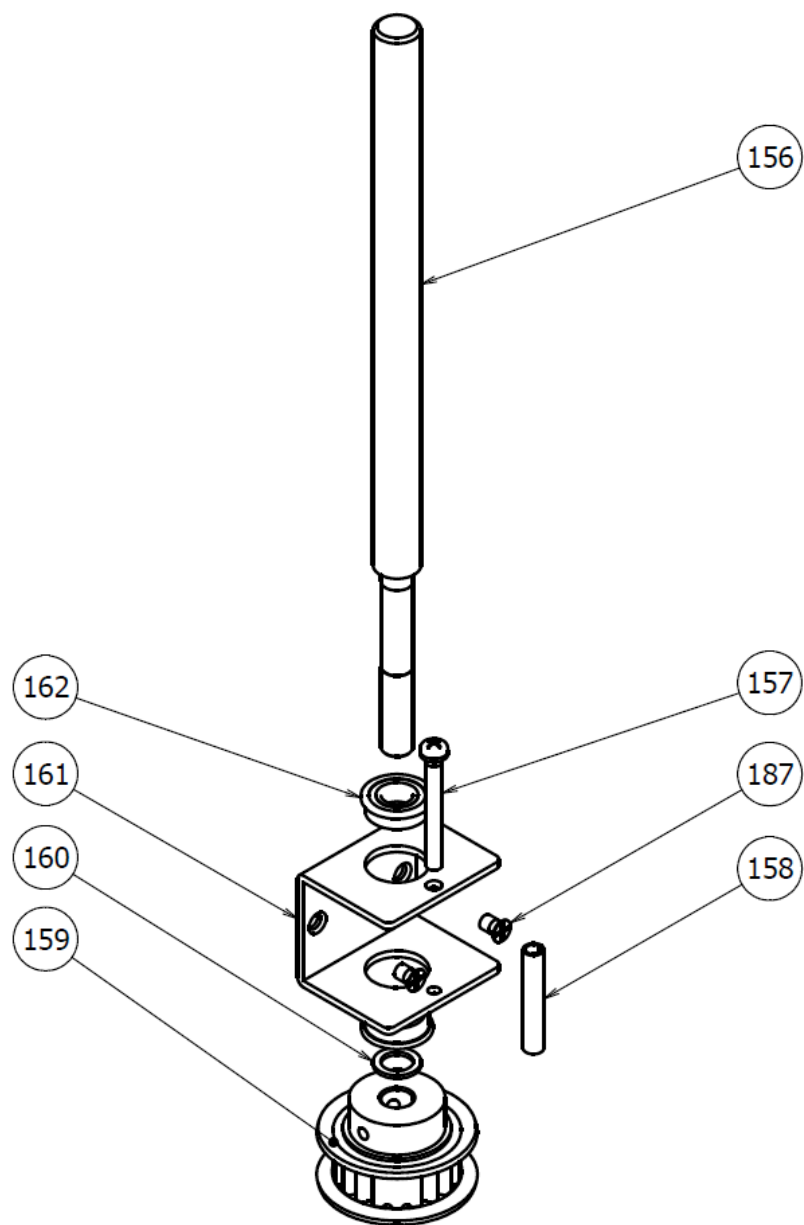
3. A10; Paper feed table



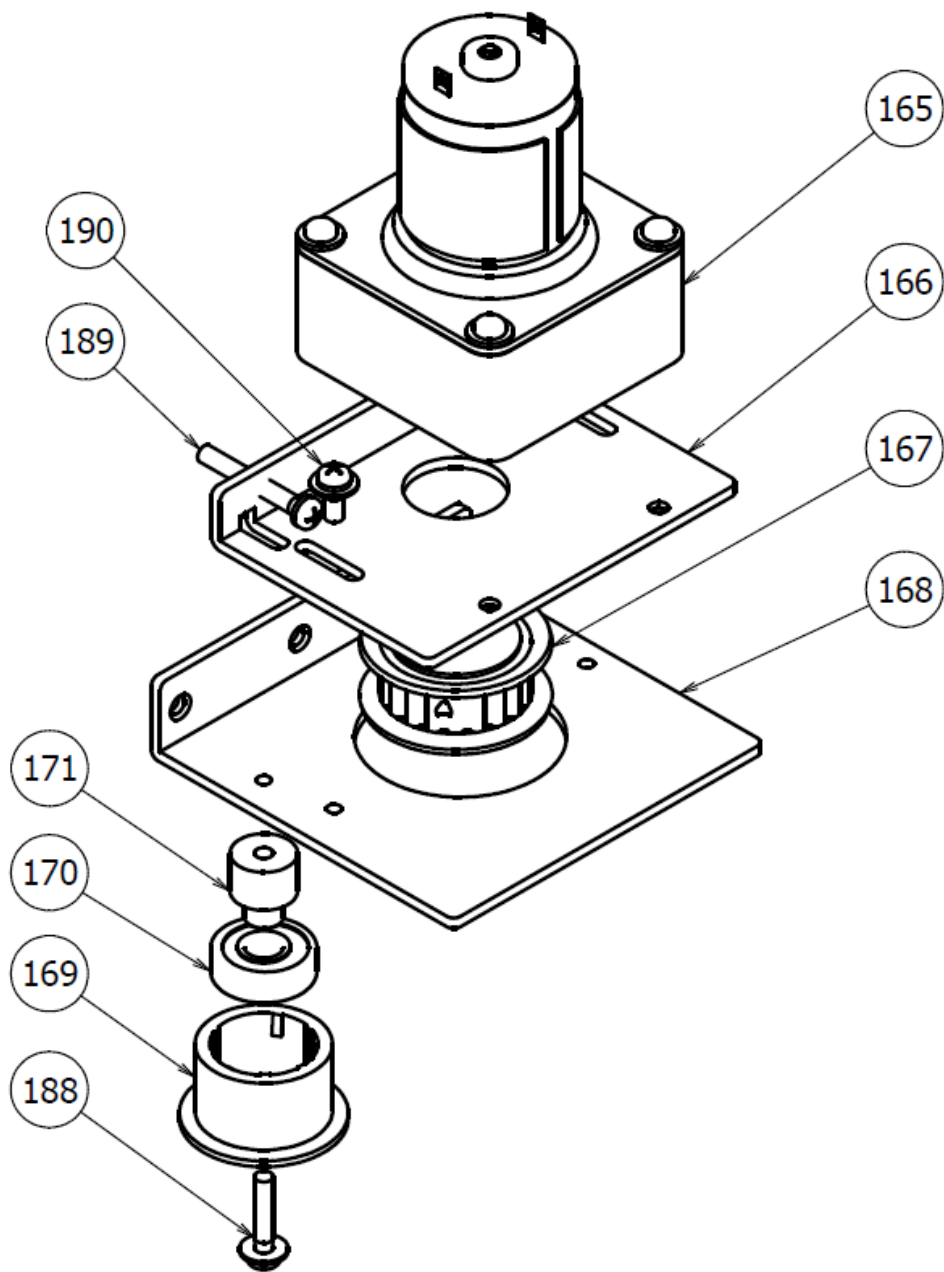
4. A11; Lifting table



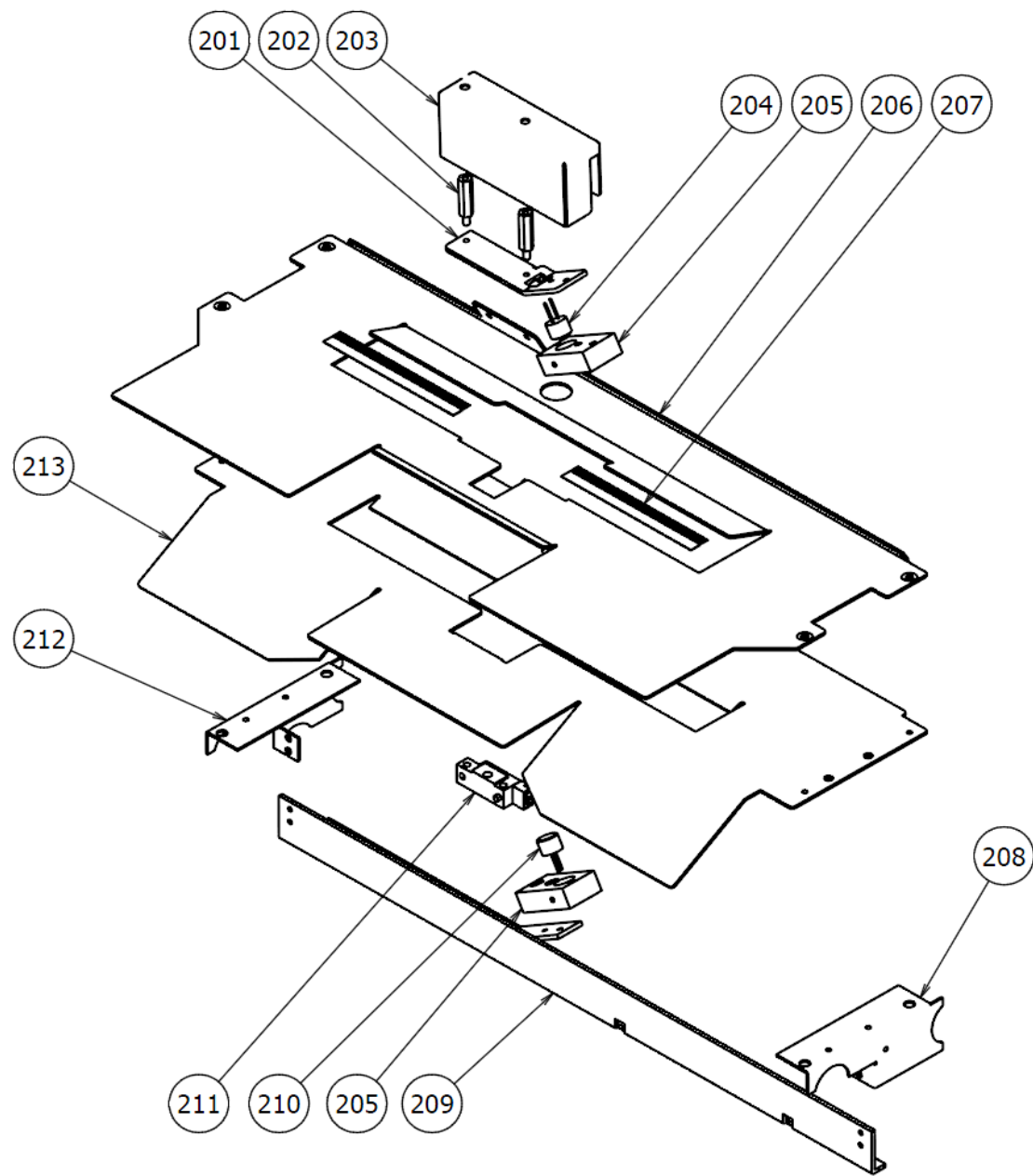
5. A12; Assembly of Lifting screw



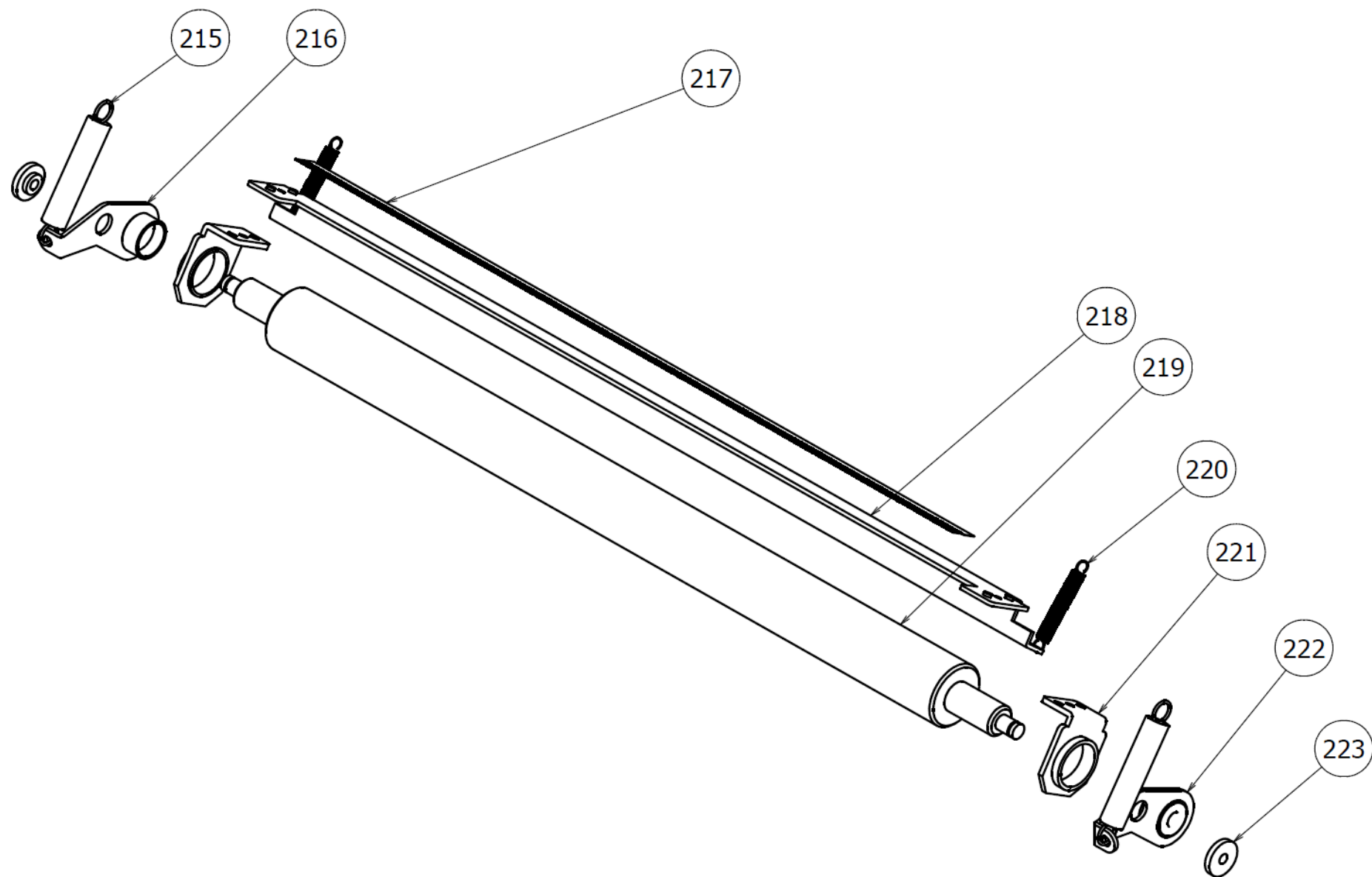
6. A13; Assembly of Lifting motor



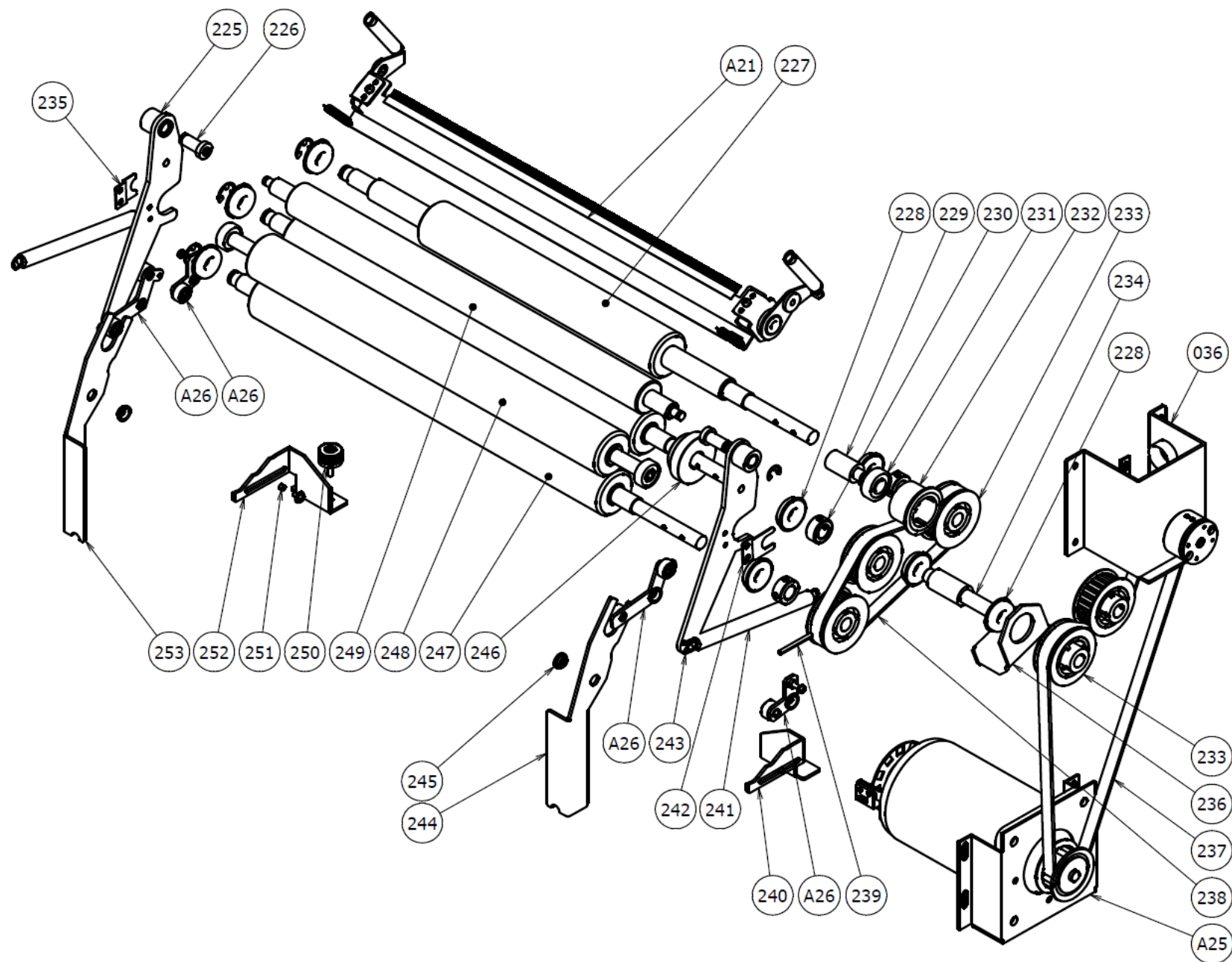
7. A20; Assembly of Paper guide



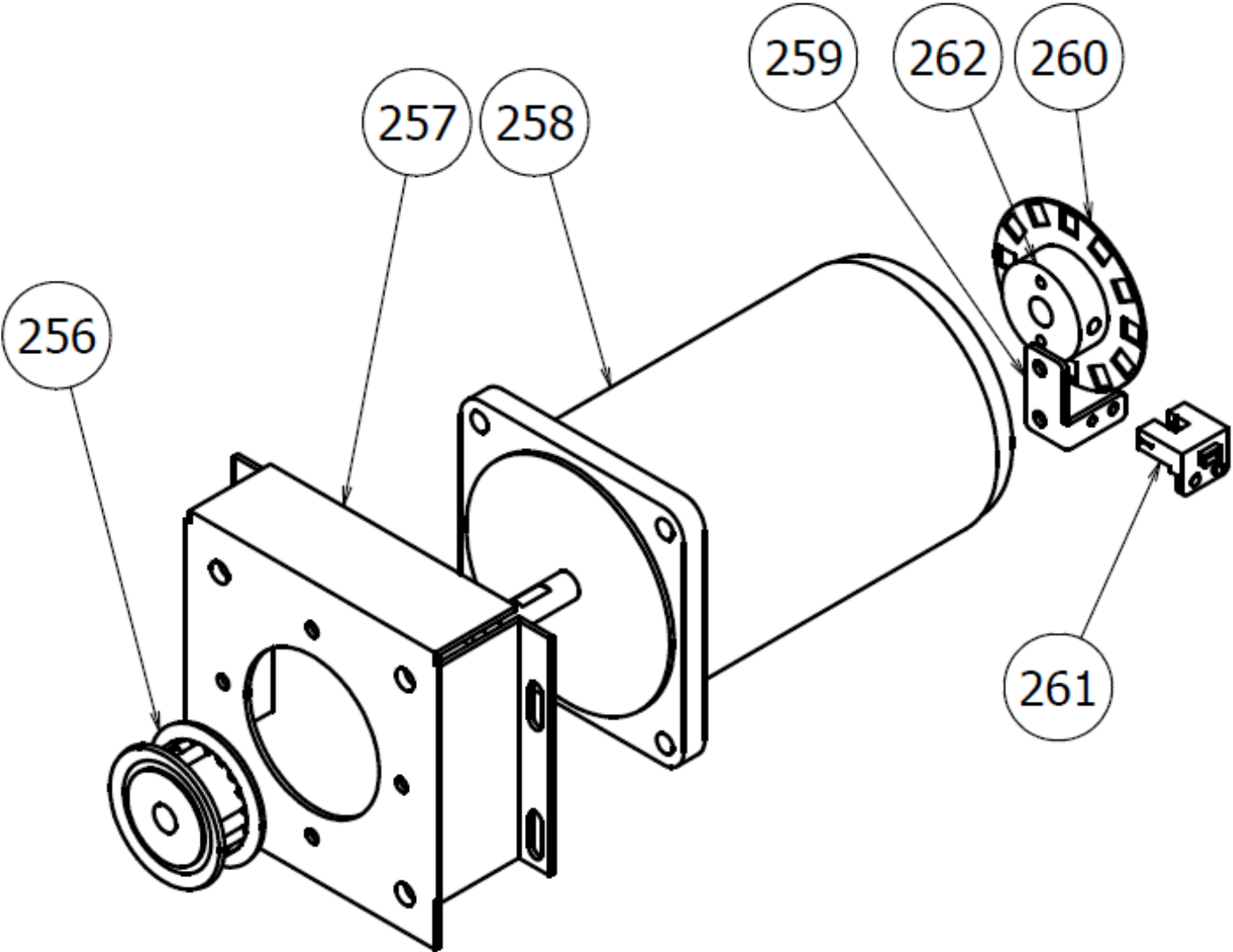
8. A21 ;Interceptor unit



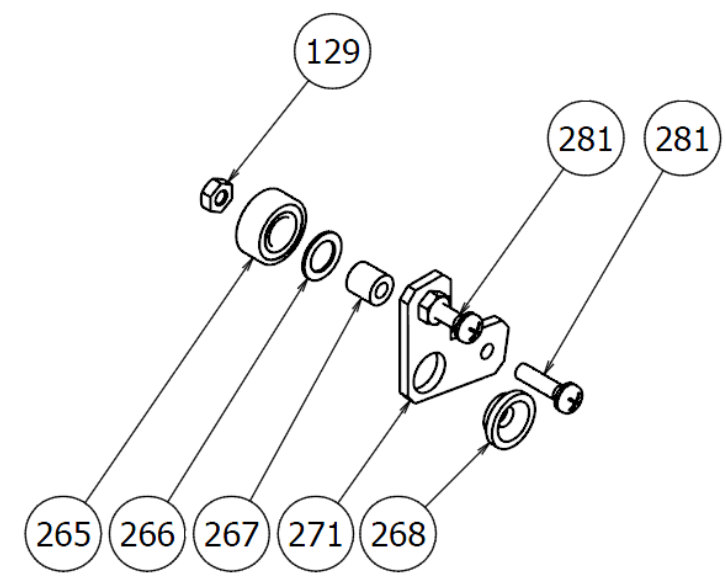
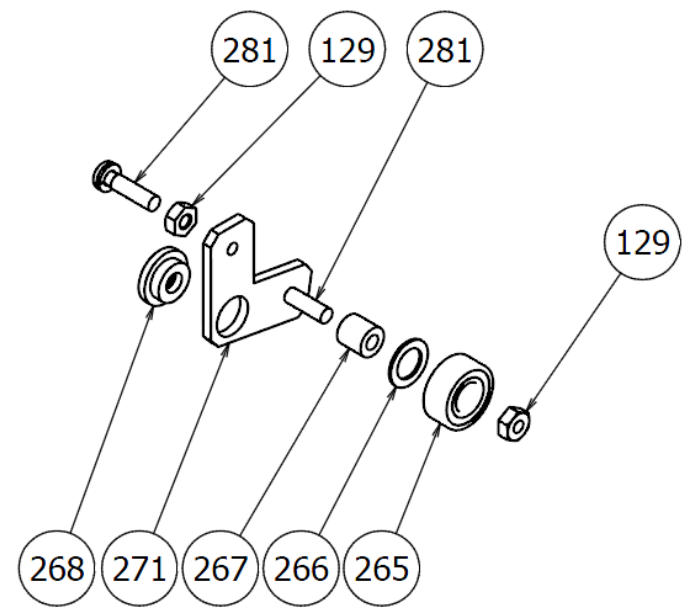
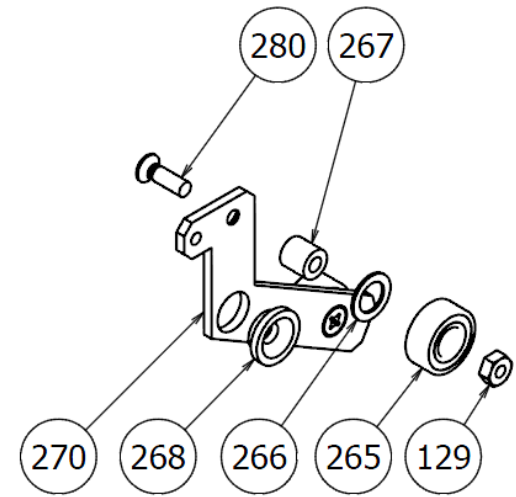
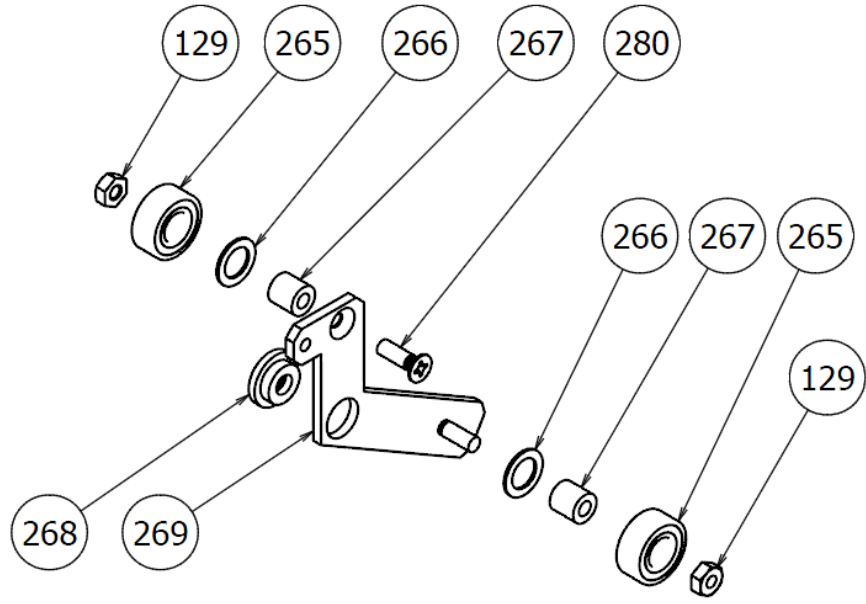
9. A22; Feed roller unit



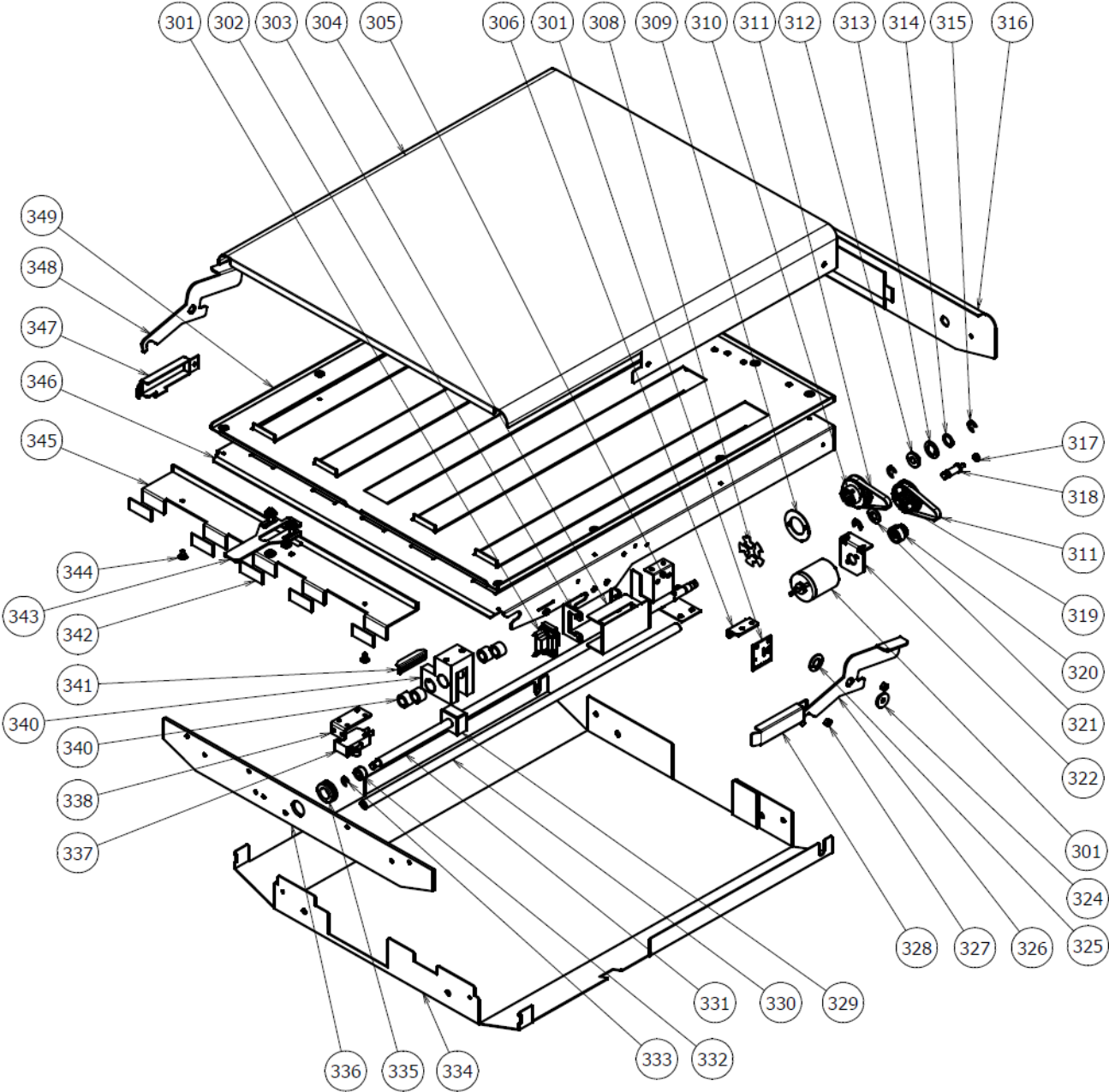
10. A25; Main motor unit



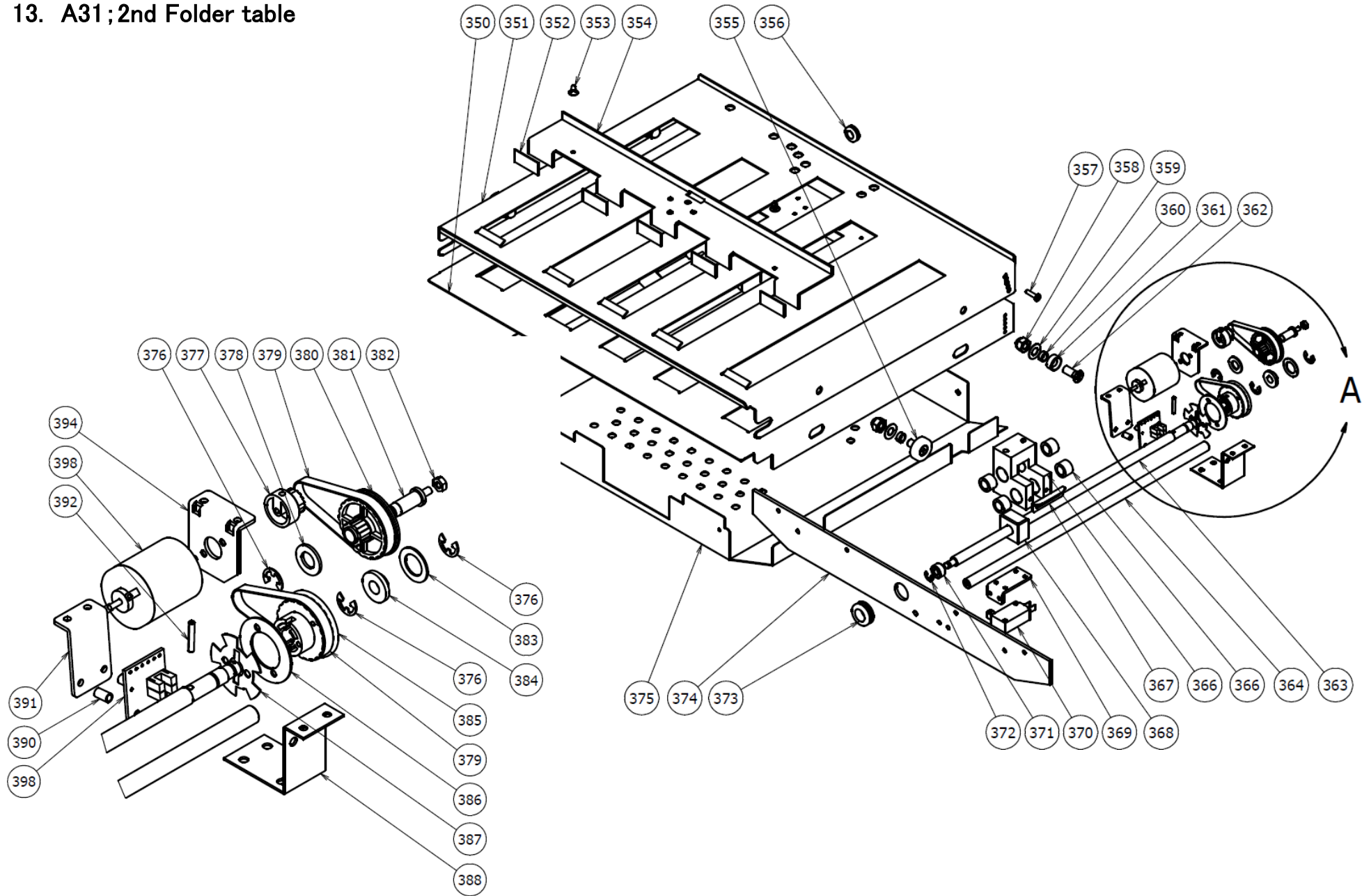
11. A26; Assembly of links



12. A31;1st Folder table

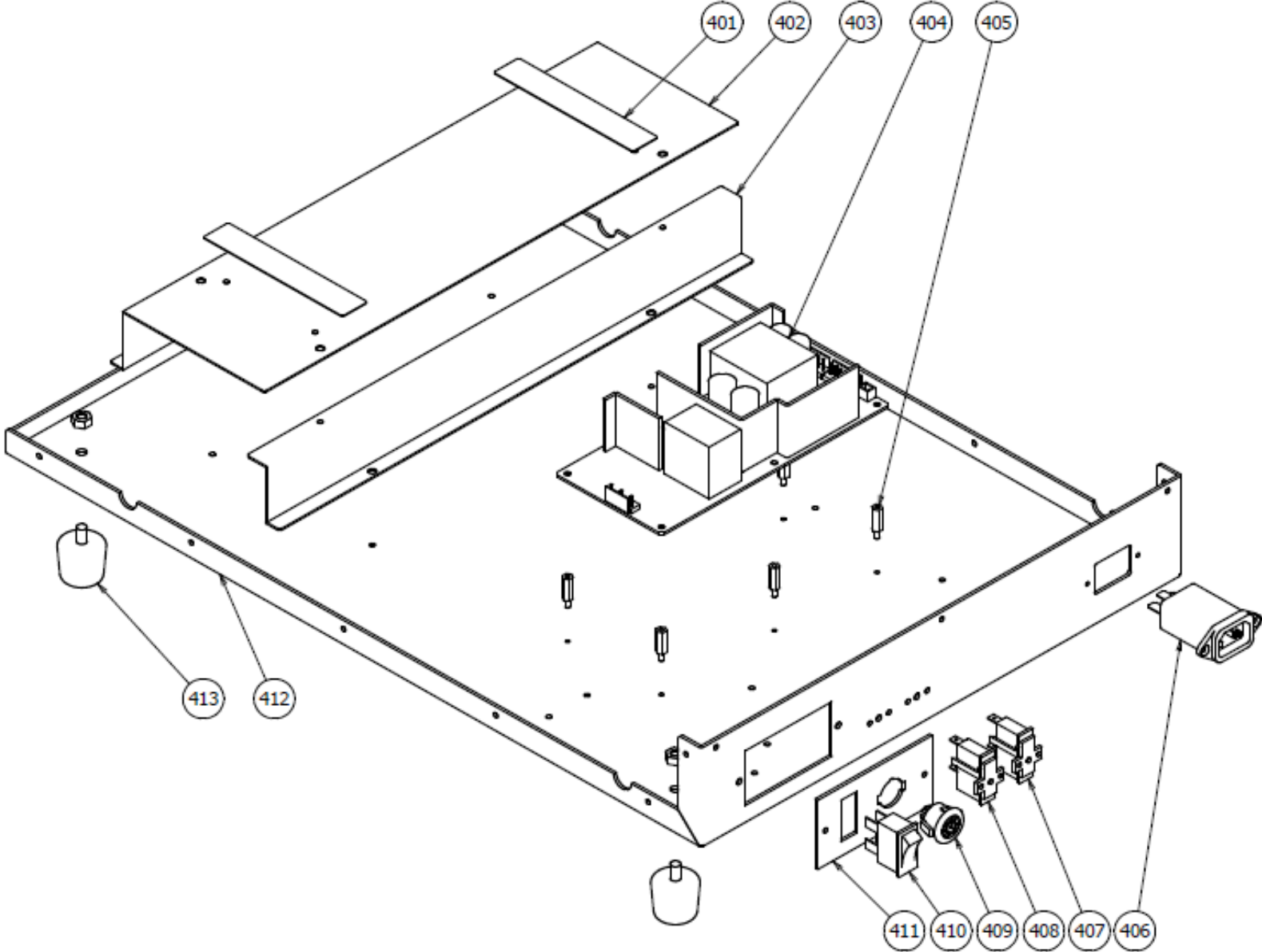


13. A31;2nd Folder table

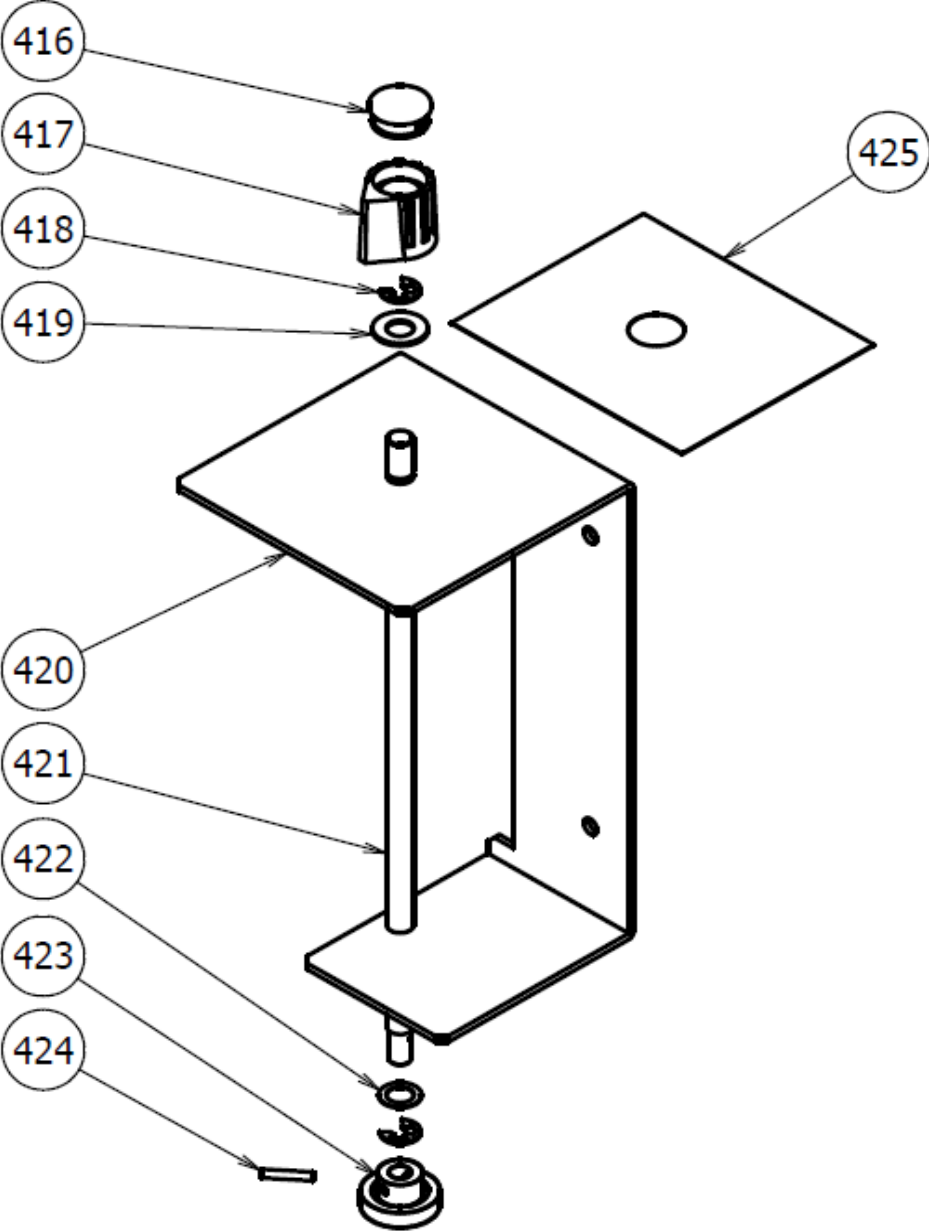


(Detail; A)

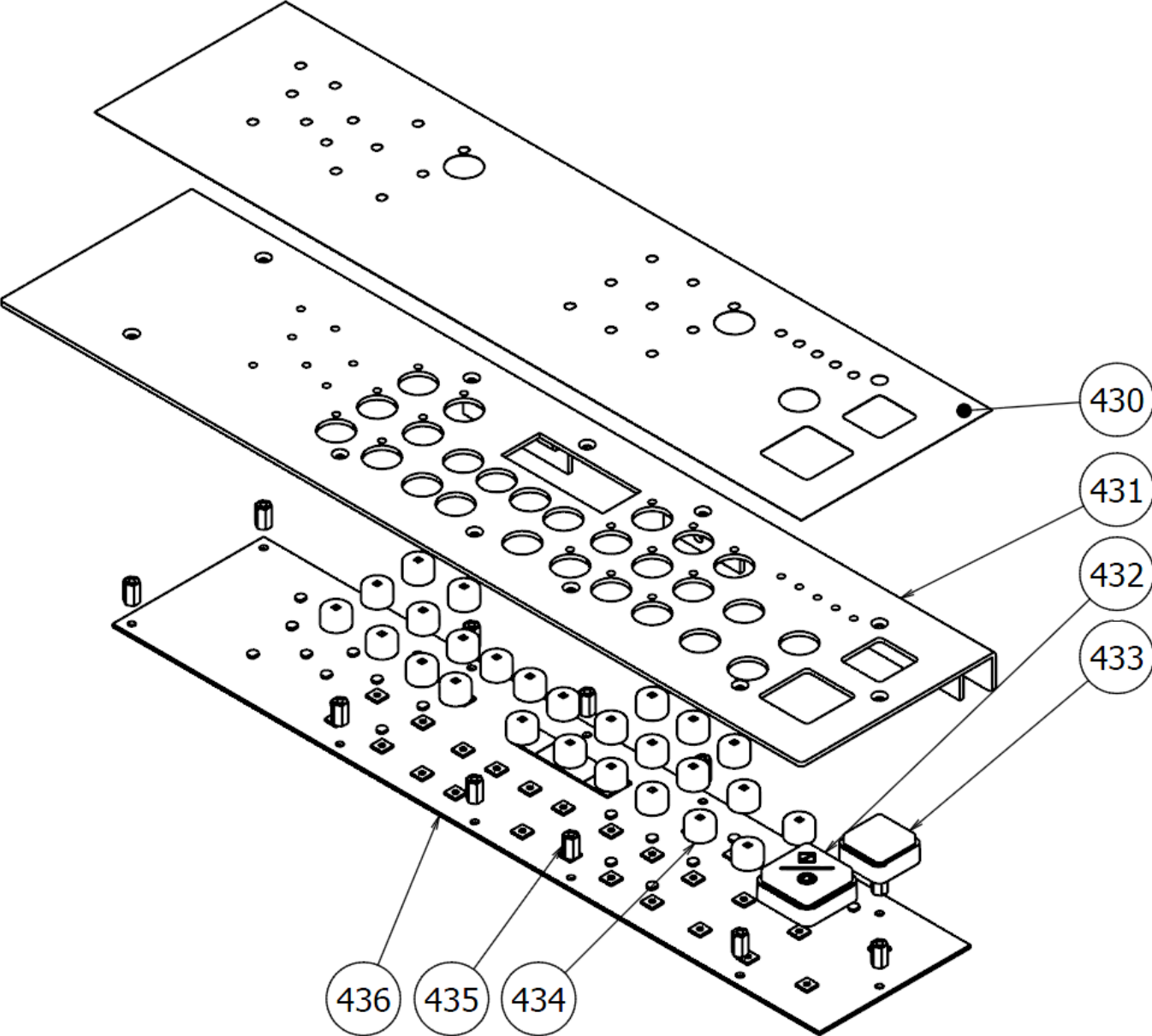
14 A40; Baseframe of the body



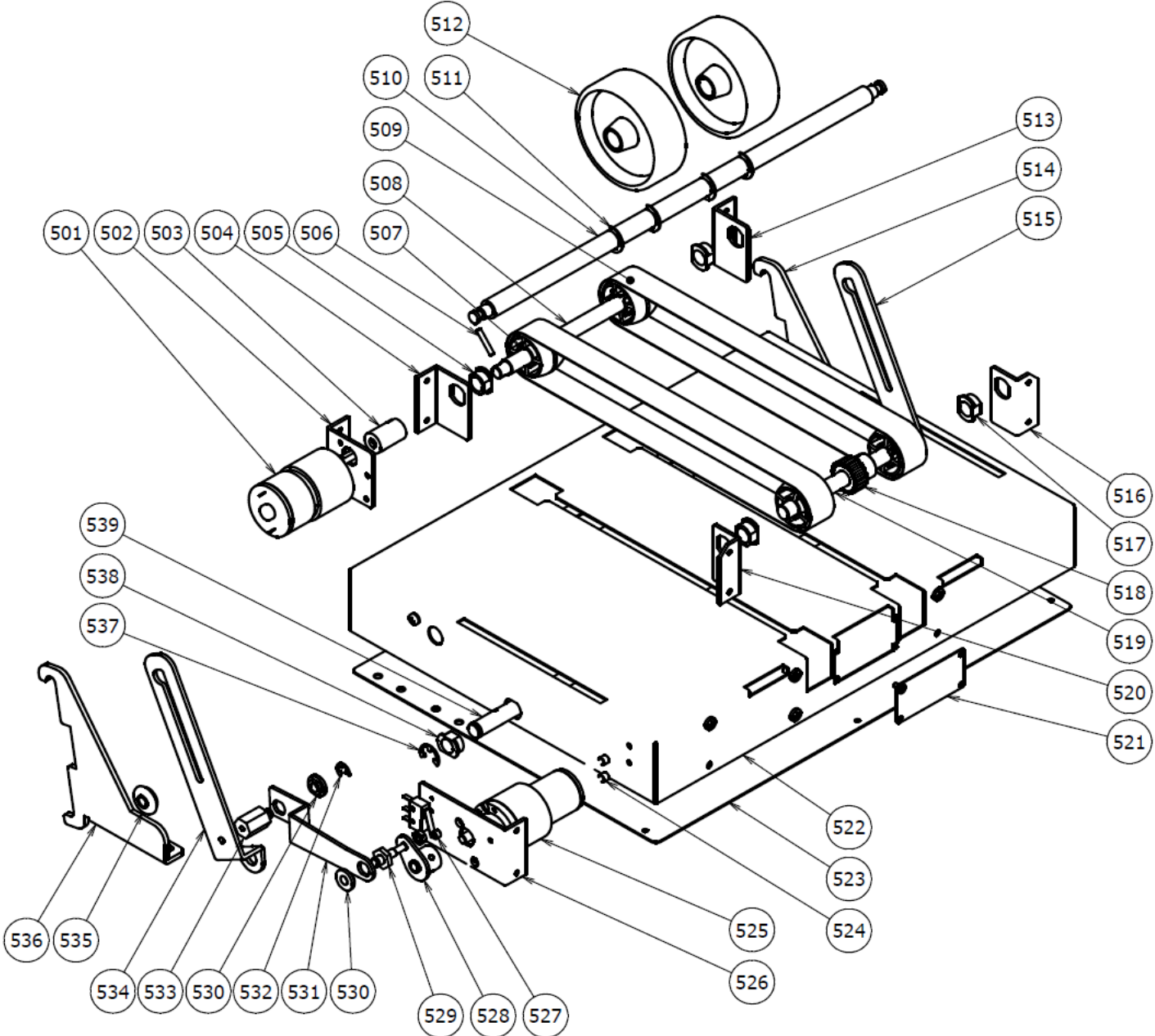
15 A42; Separator air control unit



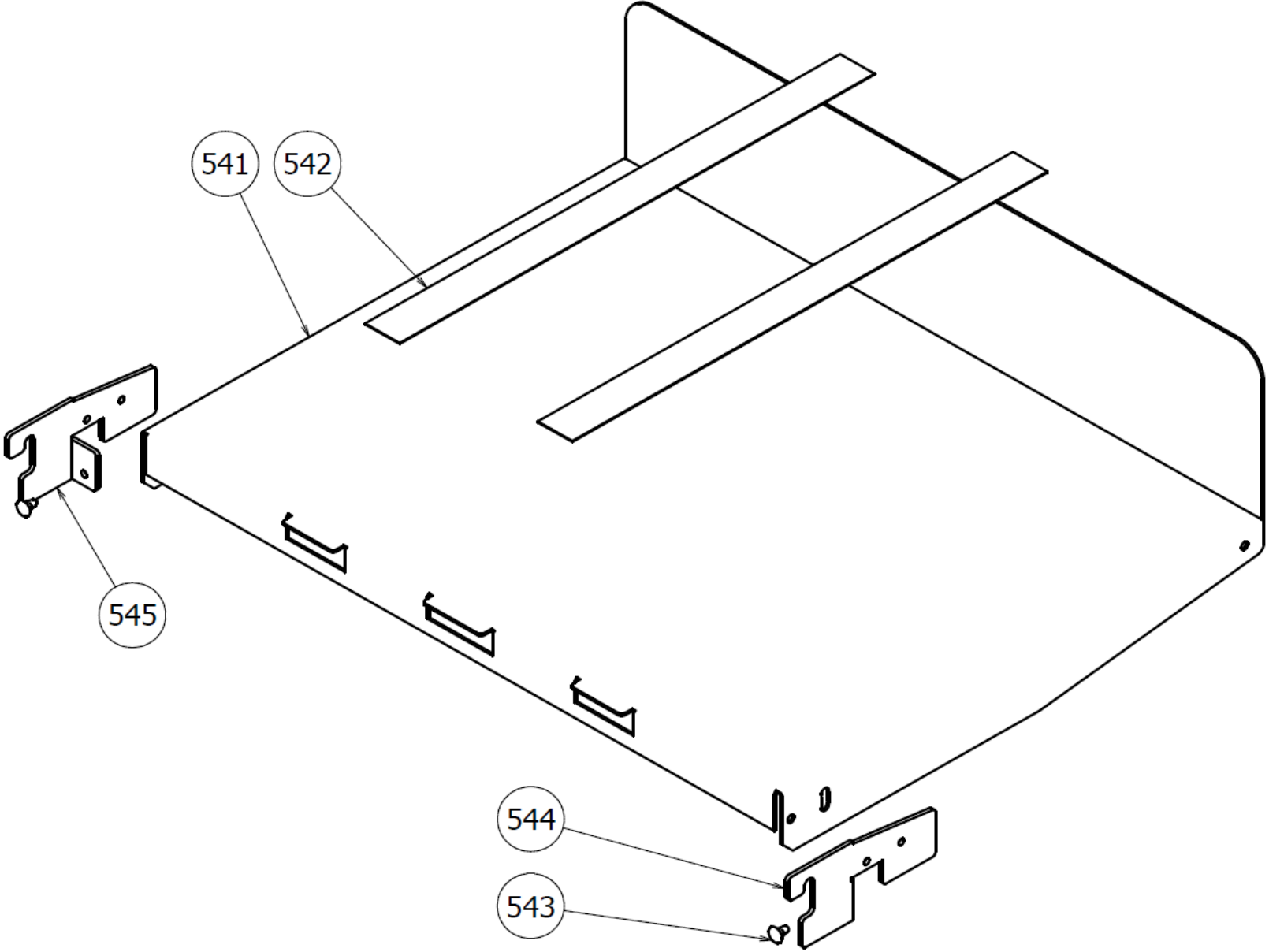
16 A44; Operation switching unit



17 A50; Paper ejection table



18 A58; Paper ejection auxiliary table



19 A60; Paper suction unit

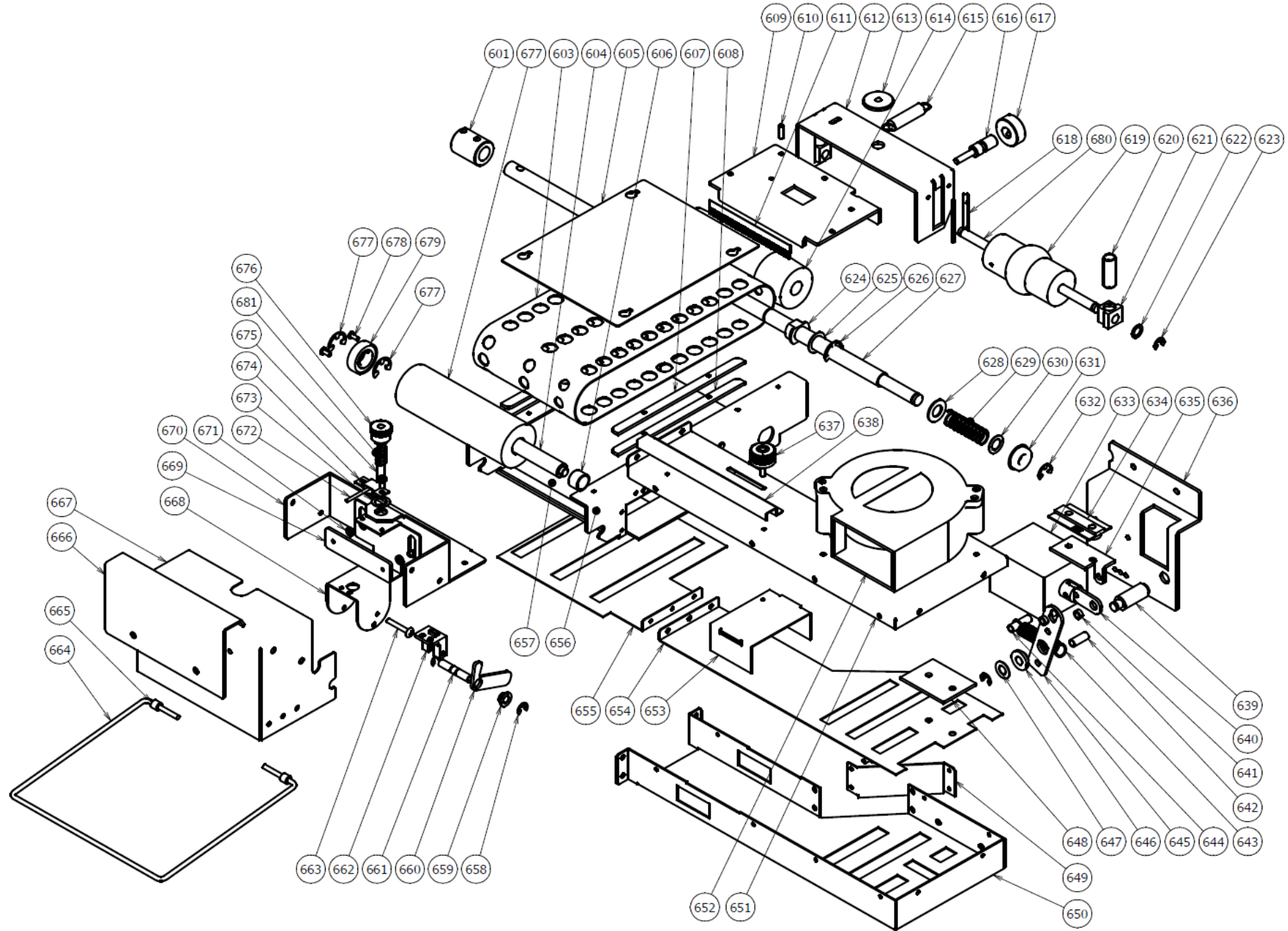


Fig. No.	Parts No.	Parts name	Q'ty
601	1262-0045	Coupler	1
602	1272-0636	Pulley B	1
603	1262-0013	Paper feed hole belt	1
604	1272-0613	Trans shaft	1
605	1272-0605	Cover plate	1
606	8710-0580	Sintered metal	1
607	1272-0609	Belt guide A	2
608	1272-0610	Belt guide B	2
609	1272-0618	Center pulley bracket	1
610	Spring pin	φ 3 × 10	1
611	1262-0047	Static electric exclusion brush (L75)	1
612	1272-0619	Center pulley guide	1
613	1272-0634	Incline adjustment center	1
614	1272-0635	Crown roller	1
615	1262-9011	Tension spring	1
616	1262-9009	Incline adjustment shaft	1
617	1262-0105	Knob	1
618	4149-0141	Separator weight	4
619	1262-0044	Center pulley	1
620	1262-0056	Compression Spring	2
621	0145-1170	POM Bearing A	2
622	1262-7303	Polyslider spacer	2
623	Retaining ring-E	E4	2
624	0145-4170	Sintered metal	2
625	1262-7310	Polyslider spacer	2
626	Retaining ring-E	E8	2
627	1262-0014	Drive shaft A	1
628	Flat washer	W8	1
629	0145-2330	Drive shaft spring	1
630	8900-2726	Clutch spacer washer	1
631	0146-4450	Bearing	1
632	Retaining ring-E	E6	1
633	1262-7145	Solenoid unit Assy	1
	5262-0502	Solenoid	1
	0100-5620	Socket contact	2
	0100-5610	Plug housing	1
634	1262-0048	Rejection paper guide installation board	1
635	1262-0024	Link plate (D)	1
636	1272-0607	Solenoid mounting plate	1
637	1262-9070	Dimple knob	1
638	1272-0627	Wiring duct	1
639	1262-0021	Shaft	1
640	1262-0015	Link (B)	1
641	1262-0033	Collar	2

Fig. No.	Parts No.	Parts name	Q'ty
642	1265-0110	Pipe spacer	1
643	9262-9002	Tension spring	1
644	1263-0041	Pipe spacer	1
645	1262-0023	Link plate ©	1
646	0146-9540	Sintered metal	1
647	Flat washer	W6	1
648	1272-0628	Plate washer	1
649	1272-0630	Suction duct part A	1
650	1272-0601	Suction duct under part	1
651	1272-0602	Suction duct upper part	1
652	1272-7129	Suction fan motor Assy	1
	0100-5620	Socket contact	
	0100-5610	Plug housing	
653	1272-0611	Suction air contol shutter	1
654	1272-0632	Suction shutter B	1
655	1272-0631	Suction shutter A	1
656	1272-0603	Belt holder	1
657	1272-0606	Suction chamber	1
658	Retaining ring-E	E4	2
659	5262-0523	Oilless Bush	1
660	1272-0604	Actuator	1
661	1262-0701	Shaft	1
662	0260-7780	Built-in photo sensor	1
663	Round head screw	RKSW3x20	1
664	1272-0608	Weight arm	1
665	1264-0013	Rubber bush	2
666	1272-0626	Suction unit mounting plate	1
667	1272-0617	Sensor cover	1
668	1272-0616	Sensor bracket	1
669	1272-0615	Plate nut	1
670	1272-0612	Sensor bracket mounting plate	1
671	1777-1312	Spacer	2
672	1265-0217	Stainless shaft	1
673	1262-7306	Polyslider spacer	1
674	1272-0633	Mounting plate	1
675	1265-0209	Control screw	1
676	1265-0208	Control nut	1
677	Retaining ring-E	E8	2
678	1262-0049	Low head screw M2.5	2
679	5148-0444	Bearing	1
680	1262-0043	Center shaft	1
681	1777-0257	Compression Spring	1

20 A65; Paper separator unit

