

Parts List for Model J5A-80 Single & Three Phase

NOTE: The quantity number indicates the total number of pieces required for a complete unit repair.
When ordering parts give compressor model, serial number and part number. Order assemblies when possible.

<u>REF. NO.</u>	<u>PART NO.</u>	<u>DESCRIPTION</u>	<u>QTY.</u>
1	411-1075	TANK,HRZNTL,80G,UNB,K&G>E,H80U-2	1
2	141-1077	VALVE,BALL,LEVER,1/4 TURN,1/4"M X 1/4"F	1
3	141-1037	VALVE,CHECK,INSERT,1"M X 3/4", 134	1
4	122-1047	PLUG,SOCKET,HEX,ST,PLTD,1/2" NPT	2
5	JD7988	ELBOW,STREET,BRASS,3/4"NPT	1
6	360-1387	AFTERCOOLER,HOSE,SS,TEFLON,3/4"ODX10-3/4	1
7	122-1084	CAP,FEMALE,MI,3/8"NPT	1
8	122-1037	NIPPLE,STEEL,SCH 40,3/8" X 2" L	1
9	121-1018	ELBOW,MALE,BRASS,3/4-45SAEX3/4"NPTM	1
10	120-1018	SCREW,FLANGE,HEX,SERR,ST,PLD,5/16-18X3/4	4
11	120-1119	NUT,LOCK,FLANGE,HEX,SERR,ST,PLTD,5/16-18	4
12	122-1088	NIPPLE,STEEL,SCH 80,PLATED,1/2" X 2"	1
13	142-1000	GAUGE,PSI,200#,BK MT,JENNY,2",1/4NPT,PG2	1
14	141-1078	VALVE,BALL,OUTLET,1/4 TURN,1/2"M X 1/2"F	1
15	220-1121	BLOCK,MANIFOLD,ZINC,5 HOLE,TAPPED,MC-5	1
16	141-1014	VALVE,SAFETY,ASME,1/4",165 PSI,SVU165	1
17	140-1075	SWITCH,PSI,2HP,115-150#,PC	1
18	122-1048	PLUG,HEX HEAD,STEEL,PLATED,3/4"NPT	1
19	123-1003	WIRE,ASSY,BX,14/2,WITH GROUND	2FT
20	421-1551	PUMP,CMPSR,PISTON,REPLCMT,BLUE,J	1
21	123-1029	CONNECTOR,ROMEX,CLAMP,STRAIGHT,3/8"	2
22	154-1091	BUSHING,PULLEY,TAPERED,H,7/8	1
23	330-1013 140-1028-E65	STARTER,1P,30A,230V,ASSY,SVC,FMGSC-1-230 OVERLOAD,HEATER,STARTER,MAGNETIC,E65	1 1

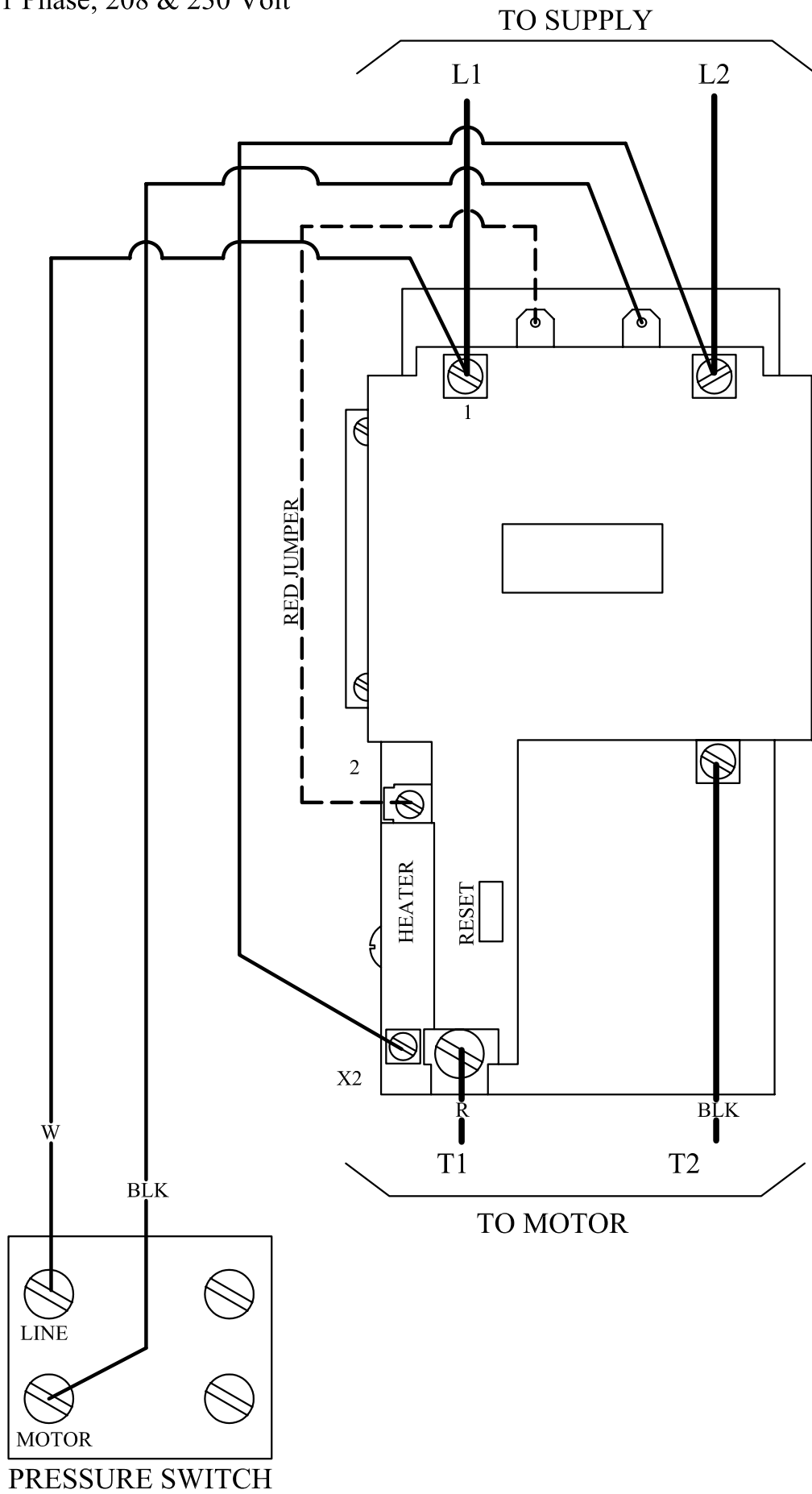
Parts List for Model J5A-80 Single & Three Phase

NOTE: The quantity number indicates the total number of pieces required for a complete unit repair.
When ordering parts give compressor model, serial number and part number. Order assemblies when possible.

<u>REF. NO.</u>	<u>PART NO.</u>	<u>DESCRIPTION</u>	<u>QTY.</u>
24	154-4L730	BELT,VEE,A63,4L-730	2
25	120-1194	KEY,STEEL,BLACK,1/4X1/4X1-1/2	1
26	154-1056	PULLEY,CI,DG,TH,7.0PDA,2AK74H	1
27	130-1026	MOTOR,5HP,230/60/1,1735RPM,ODP	1
27*	130-1027	MOTOR,5HP,200/60/1,1745RPM,ODP	1
27**	130-1029	MOTOR,5HP,230/460/3,1750RPM,ODP	1
27***	130-1028	MOTOR,5HP,200/60/3,1740RPM,ODP	1
28	120-1220	SCREW,CAP,HEXHD,GR5,ST,PLD,1/4-20X1-3/4	4
29	120-1070	WASHER,FLAT,STEEL,PLATED,SAE,1/4"	4
30	120-1220	SCREW,CAP,HEXHD,GR5,ST,PLD,1/4-20X1-3/4	4
31	120-1070	WASHER,FLAT,STEEL,PLATED,SAE,1/4"	4
32	120-1116	NUT,LOCK,FLANGE,HEX,SERR,ST,PLTD,1/4-20	2
33	120-1072	WASHER,FENDER,ST,PLATED,1/4"X1-1/2"OD	1
34	120-1267	SCREW,PAN HD,PHIL,STEEL,PLTD,1/4-20 X 1"	3
35	120-1177	SCREW,SELF DRILL,HEX,ST,PL,12 X 3/4	9
36	320-1181	BELTGUARD,J&W,W/PAN,4.13WX18.0HX32.25LG	1
37	120-1119	NUT,LOCK,FLANGE,HEX,SERR,ST,PLTD,5/16-18	2
38	320-1121	FILTER,W/DECALS,ASSY,G154S	2
NOT SHOWN	610-1225	KIT,ELEMENT,FILTER,G54E,PKG OF 4,G54EP	1
NOT SHOWN	105-1209	OIL,PUMP,SYNTHETIC,BLUE,1 QUART,ESQ	1
NOT SHOWN	330-1014	STARTER,3P,30A,230V,ASSY,SVC,FMGSC-3-200-230	1
	140-1028-E60	OVERLOAD,HEATER,STARTER,MAGNETIC,E60	3
	140-1028-E61	OVERLOAD,HEATER,STARTER,MAGNETIC,E61 "200V"	3
NOT SHOWN	330-1022-02	BM GRP MAG STARTER MGSA 5HP-3-460 25A	1
	140-1028-E50	OVERLOAD,HEATER,STARTER,MAGNETIC,E50	3

MAGNETIC STARTER WIRING DIAGRAM

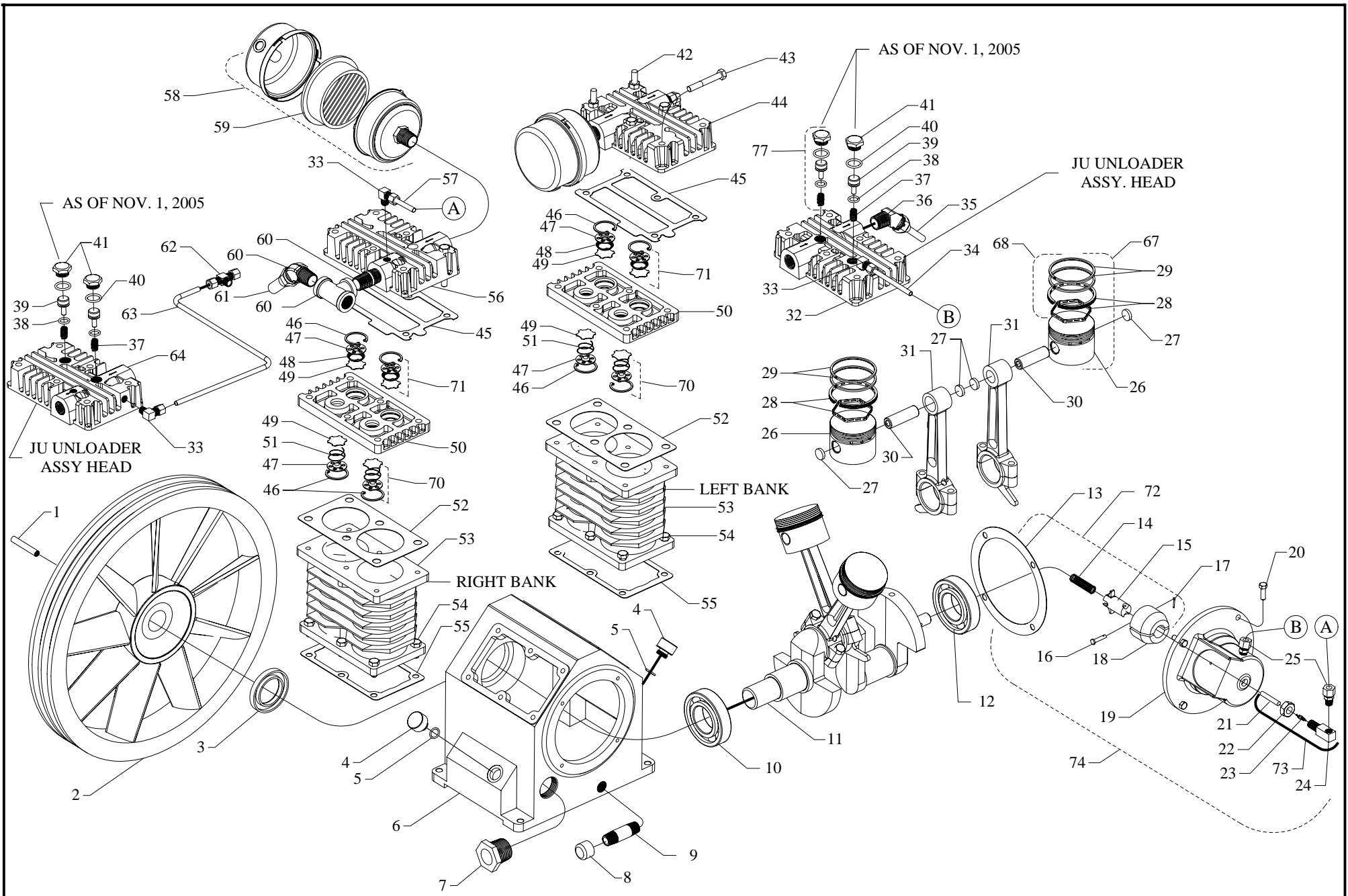
1 Phase; 208 & 230 Volt



MAGNETIC STARTER WIRING DIAGRAM

3 Phase; 208, 230, & 460 VOLT





Parts List for Model J & JU

NOTE: The quantity number indicates the total number of pieces required for a complete pump repair.
When ordering parts give compressor model, serial number and part number. Order assemblies when possible.

<u>REF. NO.</u>	<u>PART NO.</u>	<u>DESCRIPTION</u>	<u>QTY.</u>
1	120-1166	PIN,FLYWHEEL, STL, 5/16 ODX 1-1/4 L, W25	1 EA
2	220-1094	FLYWHEEL,W PUMP,CI,16"DIA,2 GROOVE,W23A	1 EA
3	150-1038	SEAL,OIL,LIP,SINGLE,1.575 DIA,W11	1 EA
4	610-1029	PLUG,CRANKCASE,FILL,OIL,W/O-RING,K14	2 EA
5	104-1016	RING,O,BUNA-N,5/8"IDX13/16"ODX3/32"THK	2 EA
6	220-1036	CRANKCASE,W PUMP,CI,MACHINED,W1	1 EA
7	360-1114	SIGHT GLASS 1" INSTALLED LOW	1 EA
8	122-1084	CAP,FEMALE,MI,3/8"NPT	1 EA
9	122-1037	NIPPLE,STEEL,SCH 40,3/8" X 2" L	1 EA
10	150-1031	BEARING,BALL,W9	1 EA
11	220-1038	CRANKSHAFT,W PUMP,CI,MACHINED,W20	1 EA
12	150-1032	BEARING,BALL,W10	1 EA
13	104-1014	GASKET,CAP,BEARING,W PUMP,1/32THK,W3	1 EA
14	150-1081	COIL SPRING C/U UNLOADER ZN	1 EA
15	220-1049	TUBE,OPERATING,CENTRIFICAL UNLOADER,EQ71	1 EA
16	610-1066	PIN,PIVOT,UNLDR,CNTRFCL,W/CTTR PIN,EQ73	1 EA
17	120-1169	PIN,COTTER,ST,BLACK,1\16DIAX1\2LG,EQ73B	1 EA
18	610-1167	UNLOADER,CENTRIFUGAL,WEIGHT,SET,EQ70	1 EA
19	220-1037	CAP,BEARING,W PUMP,CI,MACHINED,W2	1 EA
20	120-1002	SCREW,CAP,HEXHD,GR5,ST,BLK,1/4-20X5/8 (15 FT - LB.)	4 EA
21	220-1050	PIN,UNLOADER,CENTRIFICAL,EQ74D	1 EA
22	120-1171	NUT,HEX,JAM,STEEL,PLATED,7/16-20,EQ74C	1 EA
23	120-1170	VALVE,CORE,EQ74A	1 EA

Parts List for Model J & JU

NOTE: The quantity number indicates the total number of pieces required for a complete pump repair.
When ordering parts give compressor model, serial number and part number. Order assemblies when possible.

<u>REF. NO.</u>	<u>PART NO.</u>	<u>DESCRIPTION</u>	<u>QTY.</u>
24	150-1035	BODY,UNLOADER,EQ74B	1 EA
25	121-1025	CONNECTOR,MALE,COMPRESSION,BR,1/4TBX1/8"	2 EA
26	220-1005	PISTON,PUMP,ALUMINUM,MACHINED,K32	4 EA
27	104-1103	BUMPER,WRIST PIN,PLASTIC,K36A	8 EA
28	610-1065	KIT,RING,OIL,W/EXPANDER,ASSY,K34	4 EA
29	150-1003	RING,COMPRESSION,PISTON,STEEL,EBA 22,K33 (CHAMFER / PIP MARK ON TOP SIDE)	8 EA
30	150-1005	PIN,PISTON,STEEL,HARDENED,K35	4 EA
31	310-1007	ROD,CONNECTING,PUMP,ALUM,MACHINED,W21	4 EA
32	220-1016	HEAD,UNLOADING,G PUMP,CI,6HOLES,LU80	1 EA
33	121-1032	ELBOW,MALE,COMPRESSION,BR,1/4TBX1/8"NPTM	3 EA
34	610-1134	TUBE,BREATHER,COPPER,BENT,J&W PUMP,W18	1 EA
35	610-1119	TUBING,HEAD TO HEAD,J PUMP,CU,5/8",J59	1 EA
36	121-1015	ELBOW,MALE,BRASS,5/8-45SAEX1/2"NPTM	1 EA
37	150-1020	SPRING,VALVE,UNLOADER,INTAKE, KU83	4 EA
38	104-1020	RING,O,SILICON,7/16"IDX5/8"ODX3/32"THK	4 EA
39	150-1028	PISTON,UNLOADER,VALVE,CHECK,BRASS,KU81	4 EA
40	104-1015	RING,O,BUNA-N,1/2"IDX11/16"ODX3/32"THK	4 EA
41	122-1051	PLUG,HEX ,BRASS,11/16-16 UN-2B X .550	4 EA
42	120-1252	BOLT,STUD,HEX,ST,5/16-18X2-1/4X5/8,K52-1(22FT-LB)	2 EA
43	120-1028	SCREW,CAP,HEXHD,GR5,ST,BLK,5/16-18X2-1/4(22FT-LB)	10 EA
44	310-1004	HEAD,START/STOP,G PUMP,REPLACEMNT,L50 (LEFT HEAD)	1 EA
45	104-1008	GASKET,HEAD,K&G&W PUMP,1/32THK,L51	2 EA

Parts List for Model J & JU

NOTE: The quantity number indicates the total number of pieces required for a complete pump repair.
When ordering parts give compressor model, serial number and part number. Order assemblies when possible.

<u>REF. NO.</u>	<u>PART NO.</u>	<u>DESCRIPTION</u>	<u>QTY.</u>
46	150-1041	RETAINER,VALVE,STEEL,PAS,0.062"THK,K43	8 EA
47	109-1010	VALVE,CHECK,BUMPER,STEEL,K44	8 EA
48	150-1018	SPRING,CONE,SS,VALVE,DISCHARGE,K46	4 EA
49	109-1011	VALVE,DISC,STEEL,K47	8 EA
50	610-1396	PLATE,VALVE,L PUMP,CI,PAINTED,BLUE,L40	2 EA
51	150-1017	SPRING,CONE,SS,VALVE,INTAKE,K45	4 EA
52	104-1007	GASKET,PLATE,VALVE,K&G&W PUMP,1/32TK,L41	2 EA
53	360-1152	CYLINDER W30 REPLACEMENT BLUE W30	2 EA
54	120-1017	SCREW,CAP,HEXHD,GR5,ST,BLK,5/16-18X3/4 (15 FT - I	12 EA
55	104-1006	GASKET,CYLINDER,K&G&W PUMP,1/32THK,K31	2 EA
56	310-1034	HEAD,START/STOP,J PUMP,J50 (RIGHT HEAD)	1 EA
57	610-1138	TUBE,UNLOADER,CENTRIFUGAL,J PUMP,CU,J78	1 EA
58	320-1121	FILTER,W/DECALS,ASSY,G154S	2 EA
59	150-1104	ELEMENT,FILTER,AIR,(92 EMGLO),G54E	2 EA
60	610-1067	MANIFOLD,PIPE,OUTLET,J PUMP,ASSY,J57	1 EA
61	610-1119	TUBING,HEAD TO HEAD,J PUMP,CU,5/8",J59	1 EA
62	121-1039	TEE,BRANCH,BRASS,1/4"TBX1/4"TBX1/8"NPTM	1 EA
63	610-1136	TUBING,UNLOADER,HEAD-HEAD,W PUMP,WU88	1 EA
64	220-1078	HEAD,UNLOADING,J PUMP,CI,MACHINED,JU80	1 EA
ASSEMBLIES			
65	610-1068	KIT,GASKET,J PUMP,ASSY,J100 SET INCLUDES 13, (2) 45, (2) 52, (2) 55	1 EA
66	610-1126	KIT,BASIC,REPAIR,J PUMP,J101 65 (2), 68 (4), 70(4), 71(4), 150-1010 FILTER ELEMENT	1 EA

Parts List for Model J & JU

NOTE: The quantity number indicates the total number of pieces required for a complete pump repair.
When ordering parts give compressor model, serial number and part number. Order assemblies when possible.

<u>REF. NO.</u>	<u>PART NO.</u>	<u>DESCRIPTION</u>	<u>QTY.</u>
67	610-1028	PISTON,W/RINGS&PIN,ASSY,K132	3 EA
68	610-1020	KIT,PUMP,RING,PISTON,F&K&G&W PUMP,K133	2 EA
69	610-1127	KIT,BASIC,REPAIR,JU PUMP,JU101 SAME AS 66 w / (4) 78	1 EA
70	610-1031	VALVE,CHECK,SUCTION,ASSY,K145	4 EA
71	610-1032	VALVE,CHECK,DISCHARGE,ASSY,K146	4 EA
72	610-1053	WEIGHT,UNLOADER,CENTRIFICAL,W/GSKT,W170 ASSY, W / GASKET,INCLUDES 13,14,15,16,18	1 EA
73	310-1016	VALVE,UNLOADER,CENTRIFICAL,ASSY,EQ174 ASSY. INCLUDES 21, 22, 23, 24, 25	1 EA
74	610-1054	UNLOADER,CENTRIFICAL,W/B CAP,ASSY,W175 ASSY. W / BEARING CAP, TUBING AND GASKET	1 EA
75	310-1008	HEAD,UNLOADING,K&G,W/1/2"PRT 6 HLE,LU180 COMPLETE W / UNLOADERS (RIGHT HEAD)	1 EA
76	610-1045	PLATE,VALVE,W/VALVES,ASSY,L140 INSTALLED W / 45, 52 GASKET	1 EA
77*	610-1042	VALVE,UNLOADER,HEAD,PUMP,ASSY 150-1042 (2pcs) 120-1167 (2pcs) must be ordered extra	4 EA
77**	610-1042	VALVE,UNLOADER,HEAD,PUMP,ASSY,KU181 INCLUDES 37, 38, 39, 40 41	4 EA
78	310-1035	HEAD,UNLOADING,J PUMP,JU180 (LEFT HEAD)	1 EA

77* for units built before serial #D103105001

77** for units built after serial #D110105001