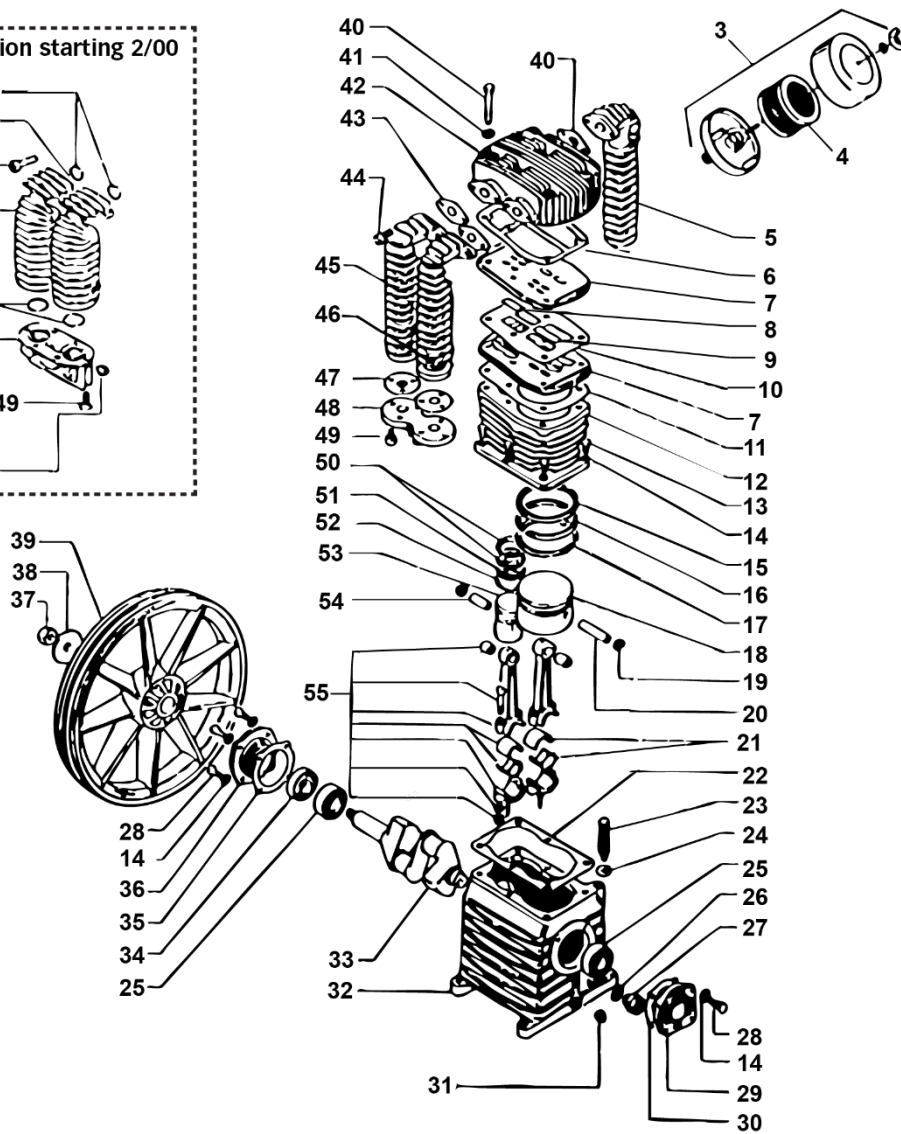
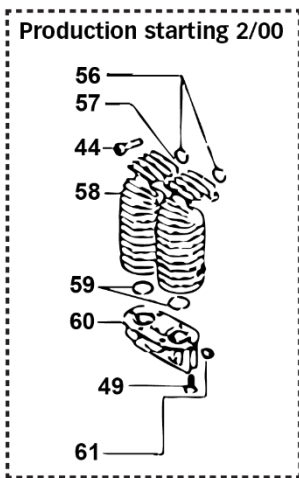
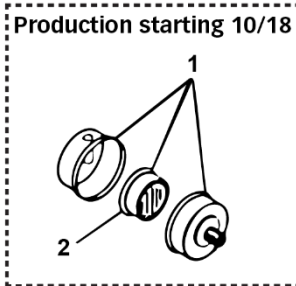
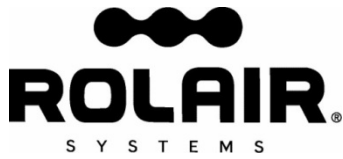


**SCHEMATIC FOR
PMP22K28**



*Aftercooler Optional



PARTS LIST FOR PMP22K28

Sch.#	Description	Part#	Qty
1	Intake Assy (current)	FS10072	1
2	Element - FS10072	433	1
3	Intake Assy (old style)	FS14075	1
4	Element - FS14075	431	1
5	Aftercooler-optional	32902730CH	1
6	Head gasket	30502270CH	1
7	Valve Plate	32708710CH	2
8	Valve - HP	32700350CH	2
9	Valve - LP	32703560CH	2
10	Gasket	30508730CH	1
11	Gasket	30508720CH	1
12	Cylinder	31608740CH	1
13	Bolt	37301140CH	6
14	Washer	37508130CH	14
15	Ring - LP	31208760CH	1
16	Ring - LP	31208770CH	1
17	Ring - LP	31208780CH	1
18	Piston - LP	31208750CH	1
19	Snap Ring	37602260CH	4
20	Piston Pin - LP	31208790CH	1
21	Con Rod Inserts	31100210CH	2
22	Gasket	30504630CH	1
23	Breather w/ O ring	36507050CH	1
24	O Ring	30509290CH	1
25	Roller Bearing	30300030CH	2
26	Gasket	30500130CH	1
27	Sight glass w/gasket	36500140CH	1
28	Bolt	37300070CH	8
29	Bearing Carrier	30400830CH	1
30	Gasket	30500150CH	1
31	Oil Drain Plug	BLSQPL0250	1
32	Crankcase	33104600CH	1
33	Crankshaft	30204610CH	1
34	Oil Seal	30300040CH	1
35	Gasket	30500050CH	1
36	Bearing carrier	30400860CH	1
37	Nut	37400720CH	1
38	Washer	37500730CH	1
39	Flywheel	31004620CH	1
40	Bolt	37308060CH	6
41	Washer	37502320CH	6
42	Head	31302700CH	1
43	Gasket	30502330CH	2
44	Bolt	37302530CH	4
45	Left Cooler (old style)	Order 56,57,58,59	
46	Right Cooler (old style)	Order 56,57,58,59	
47	Gasket	30502340CH	2
48	Connector (old style)	Order 59,60	
49	Bolt	37302480CH	6
50	Ring - HP	31204700CH	2
51	Ring - HP	31204710CH	1
52	Ring - HP	31204720CH	1
53	Pison - HP	31206180CH	1
54	Piston Pin - HP	31204670CH	1
55	Con Rod Assy	31104840CH1	2
56	O Ring	30502500CH	2
57	Right Cooler (current)	32902720CH	1
58	Left Cooler (current)	32902710CH	1
59	O Ring	30502400CH	2
60	Connector (current)	3690211ACH	1
61	Plug	36506800CH	1
Kits			
	Gasket Set (6,10,11,22,23,27,30,35,56,59)	K28GASKETS	1
	Ring Set (15, 16, 17, 50, 51, 52)	K28RINGS	1
	Valve Plate Assembly (6, 7, 8, 9, 10, 11)	2800VK28	1
	Valve Kit (6, 8, 9, 10, 11)	VKK28	1
	Complete Rebuild Kit (K28GASKETS, K28RINGS, 1, 8, 9 & Syn Blnd Oil	K28REPKIT/BLND	1