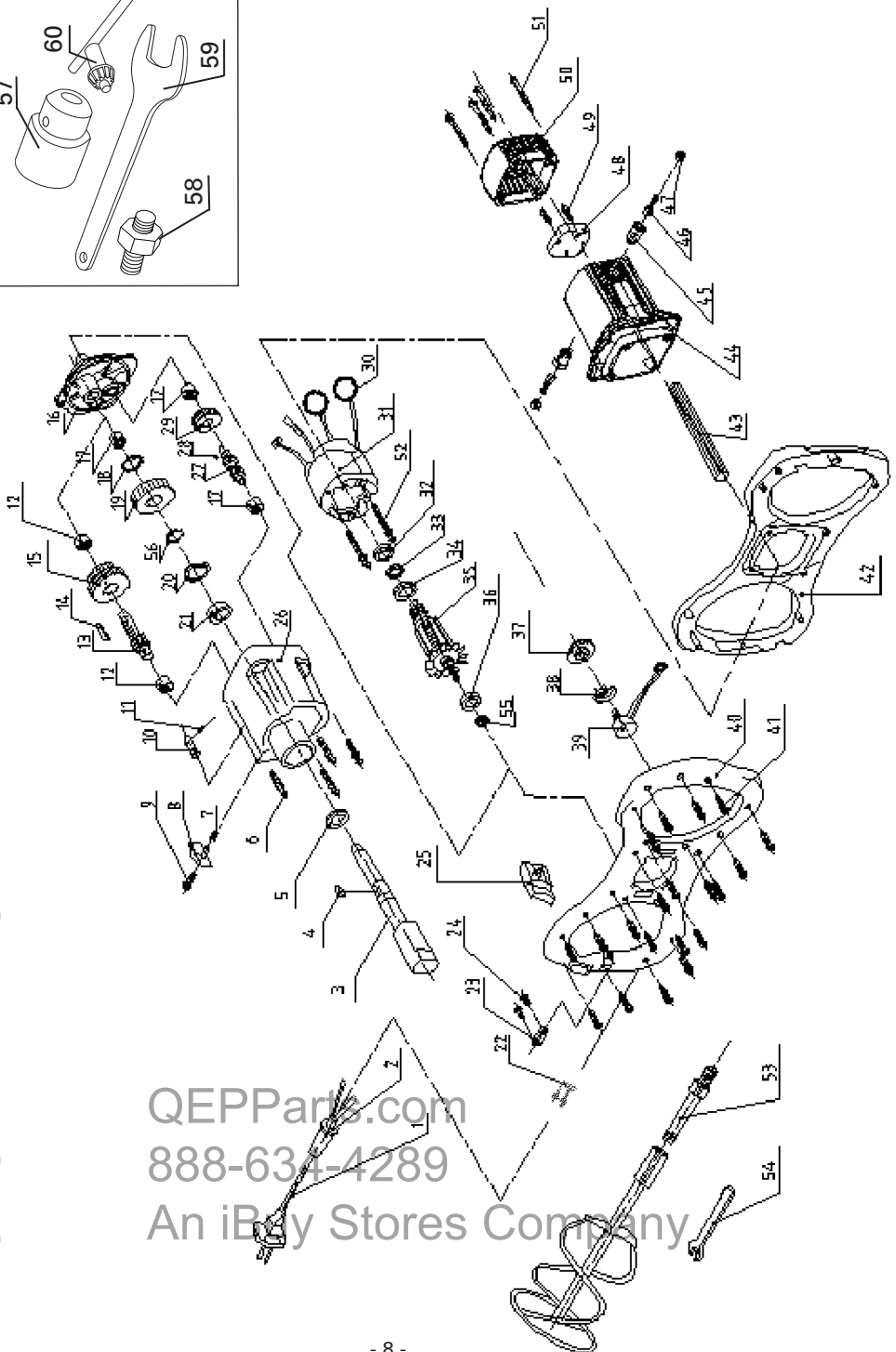
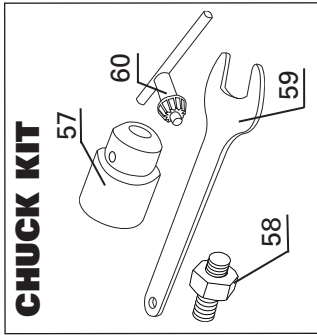


# PARTS LIST AND DIAGRAM



## REPLACEMENT PARTS LIST

Part	Qty	Description
21660-1	1	Cable
21660-2	1	Cable Sleeve
21660-3	1	Output Shaft
21660-4	1	Key 5x13
21660-5	1	Oil Seal
21660-6	4	Crossing Tapping Screw ST5x60-F
21660-7	1	Pushing Button Spring
21660-8	1	Button Spring
21660-9	1	Pushing Button Fixing Screw
21660-10	1	Shift Lever
21660-11	1	Pin
21660-12	2	Needle Bearing HK1010
21660-13	1	Variable Cover
21660-14	1	Key 5x45
21660-15	1	Two Gang Gear
21660-16	1	Middle Cover
21660-17	3	Needle Bearing HK0810
21660-18	1	Elastic Collar 15
21660-19	1	Big Gear
21660-20	1	Elastic Collar 35
21660-21	1	Bearing 6003-2Z
21660-22	2	Inductor Subassembly
21660-23	1	Cable Plate
21660-24	2	Crossing Tapping Screw ST4x14
21660-25	1	Switch (FA2-6/2D-A1-B1-F3)
21660-26	1	Head Housing
21660-27	1	Main Driving Shaft
21660-28	1	Key 4x8
21660-29	1	Diagonal Gear
21660-30	2	Tension Spring

Part	Qty	Description
21660-31	1	Stator Subassembly
21660-32	1	Bearing 608ZZ
21660-33	1	Dust Washer
21660-34	1	Magnetic Ring
21660-35	1	Motor Subassembly
21660-36	1	Bearing 609ZZ
21660-37	1	Potentiometer Knob
21660-38	1	Potentiometer Sleeve
21660-39	1	Potentiometer
21660-40	1	Foregoing Handle
21660-41	22	Crossing Tapping Screw ST4x20
21660-42	1	Back Handle
21660-43	1	Lead Sleeve
21665-44	1	Housing
21660-45	2	Brush Hold
21660-46	2	Carbon Brush
21660-47	2	Brush Cover
21660-48	1	Integrating Block
21660-49	2	Crossing Tapping Screw ST3x25-F
21660-50	1	Housing Back Cover
21660-51	4	Crossing Tapping Screw ST5x45-F
21660-52	2	Crossing Tapping Screw ST5x75-F
21660-53	1	Mixing Paddle
21660-54	2	Spanner
21660-55	1	Seal Pad
21660-56	1	Elastic Collar 17
21665-57	1	Chuck
21665-58	1	Chuck Screw
21665-59	1	Chuck Wrench
21665-60	1	Chuck Key