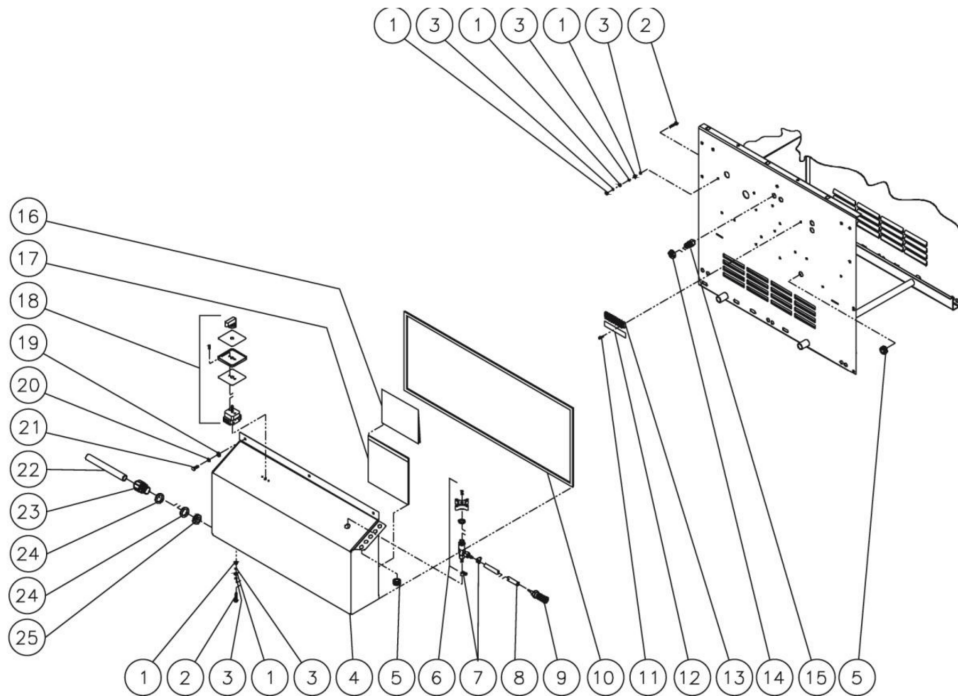




HHS-303-0E1A / HHS-303-0E1A (sn:0-99999999)

ELECTRIC BOX



Id	Item #	Description	Quantity	Rev	Comments
1	30-6001	NUT	5		
2	27-8807	BOLT	2		
3	28-1009	WASHER	5		
4	20-0550A18	ELECTIC BOX	1		
5	33-0001	GROMMET	9		
6	22-0226	DETERGENT VALVE	1		
7	42-0004	HOSE CLAMP	2		
8	15-0021	HOSE *(SIX FEET REQUIRED)	1		
9	19-0056	DETERGENT STRAINER W/CHECK	1		
10	26-0240	GASKET	1		
11	27-8835	SCREW	2		
12	34-0867	DECAL- TERMINAL STRIP	1		
13	32-0436	TERMINAL STRIP	1		
14	32-0587	LOCKNUT	2		
15	32-0586	STRAIN RELIEF	2		

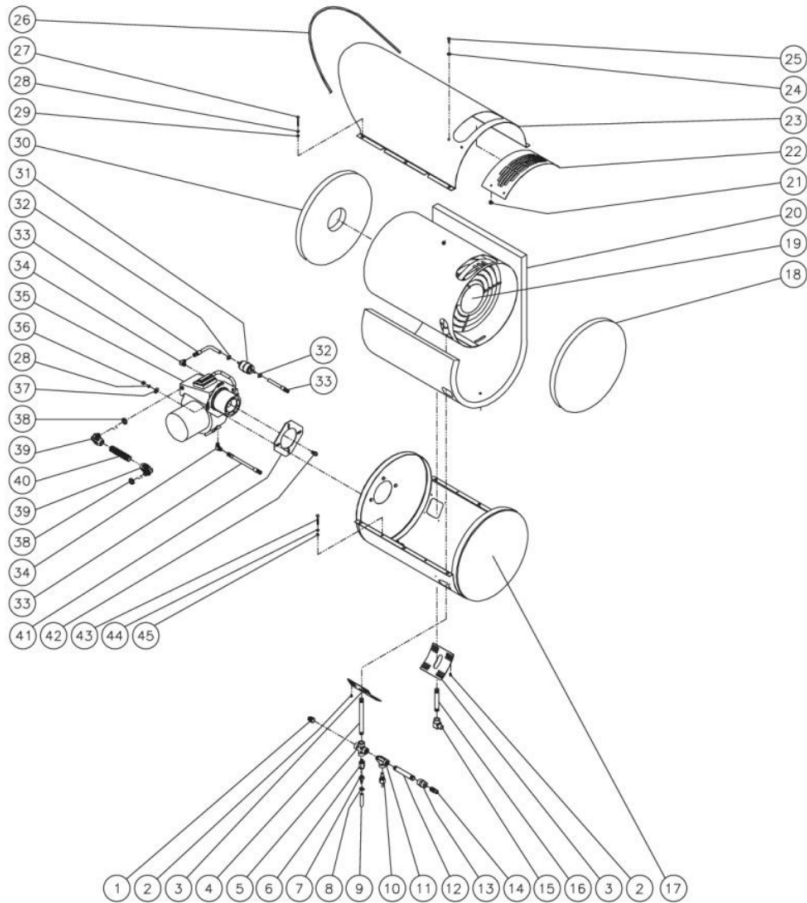
Id	Item #	Description	Quantity	Rev	Comments
16	37-0605	WIRE DIAGRAM/SCHEMATIC	1		
17	41-0184	ENVELOPE	1		
18	32-0434	CAM SWITCH	1		
19	28-0002	WASHER	3		
20	29-0006	LOCKWASHER	3		
21	27-0015	BOLT	3		
22	32-0268	CORD	1		
23	32-0437	STRAIN RELIEF	1		
24	28-0051	WASHER	2		
25	32-0108	LOCKNUT	1		

*MUST ORDER IN ONE FOOT LENGTHS



HHS-303-0E1A / HHS-303-0E1A (sn:0-99999999)

HEAT EXCHANGER



Id	Item #	Description	Quantity	Rev	Comments
1	39-0016	PLUG	1		
2	27-3062	SCREW	8		
3	20-0537A18	PATCH PLATE	2		
4	24-0255	PIPE NIPPLE	1		

Id	Item #	Description	Quantity	Rev	Comments
5	24-0241	CROSS	1		
6	22-0306	SAFETY RELIEF VALVE ASSEMBLY	1		
7	23-0069	HOSE BARB	1		
8	42-0004	CLAMP	1		
9	15-0020	HOSE *(TWO FEET REQUIRED)	1		
10	32-0690	HI-LIMIT	1		
11	24-0242	STREET TEE	1		
12	24-0246	PIPE NIPPLE	1		
13	24-0243	ADAPTER	1		
14	17-0005	QUICK CONNECT PLUG	1		
15	24-0240	ELBOW	1		
16	24-0245	PIPE NIPPLE	1		
17	20-0527A18	BOTTOM WRAP ASSEMBLY	1		
18	33-0346	INSULATION DOME	1		
19	66-0014	COIL ASSEMBLY	1		
20	850-0279	INSULATION BLANKET (REPLACEMENT ONLY)	1		
21	30-6028	CLIP NUT	4		
22	21-0138	EXHAUST PLATE	1		
23	20-0528A09	TOP WRAP	1		
24	28-0001	WASHER	4		
25	27-8912	SCREW	4		
26	33-0020	TRIMLOCK *(THREE FEET REQUIRED)	1		
27	27-0121	BOLT	6		
28	29-0008	LOCKWASHER	9		
29	28-0030	WASHER	6		
30	33-0345	INSULATION DOME	1		
31	19-0110	INLINE FUEL FILTER	1		
32	42-0003	CLAMP	2		
33	15-0147	FUEL HOSE	2		
34	23-0237	ELBOW	2		
35	4-0017	BURNER	1		
36	30-0006	NUT	3		
37	28-0023	WASHER	8		
38	32-0108	CONDUIT W/ELBOW	2		
39	32-0254	ELBOW	2		
40	32-0253	CONDUIT *(TWO FEET REQUIRED)	1		
41	44-0108	GASKET W/BURNER	1		
42	18-0090	FUEL NOZZLE- 2.25	1		
43	27-0019	BOLT	4		

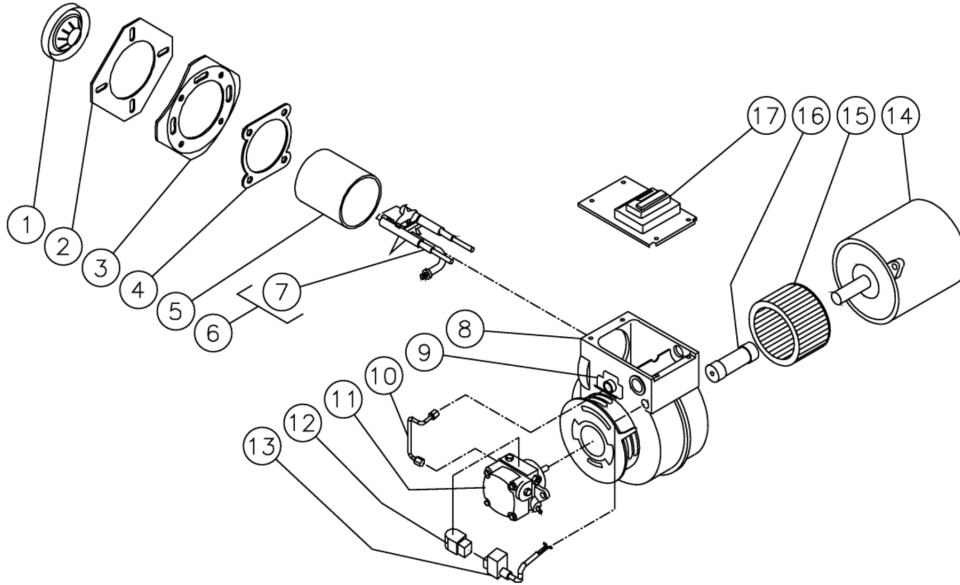
Id	Item #	Description	Quantity	Rev	Comments
44	29-0006	LOCKWASHER	4		
45	28-0002	WASHER	4		

*MUST ORDER IN ONE FOOT LENGTHS



HHS-303-0E1A / HHS-303-0E1A (sn:0-99999999)

BURNER ASSEMBLY



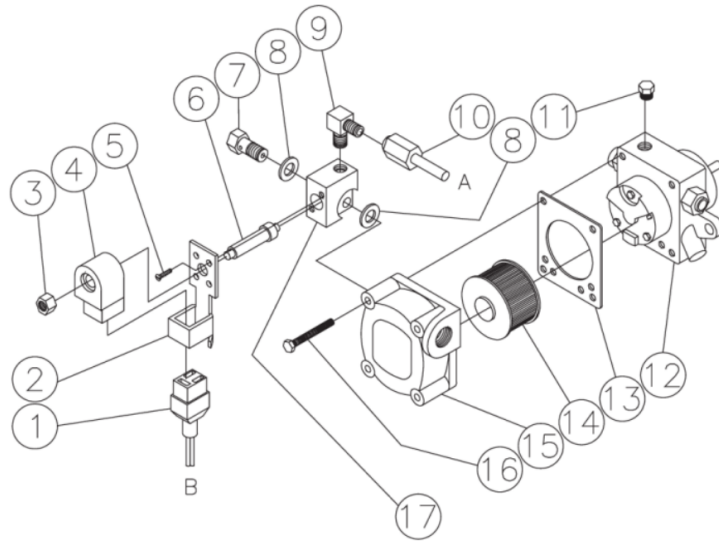
Id	Item #	Description	Quantity	Rev	Comments
1	44-0011	BURNER HEAD	1		
2	44-0108	MOUNTING GASKET	1		
3	44-0109	FLANGE	1		
4	26-0138	GASKET	1		
5	44-0110	AIR TUBE	1		
6	44-0113	NOZZLE LINE ASSEMBLY (INC. 7)	1		
7	44-0114	ELECTRODE KIT	1		
8	44-0033	BURNER HOUSING	1		
9	44-0031	ESCUTCHEON PLATE	1		
10	44-0026	FUEL LINE	1		
11	3-0236	FUEL PUMP	1		
12	46-1020	FUEL SOLENOID	1		
13	44-0122	CORD SET	1		
14	2-0068	MOTOR (4-0017)	1		
14	2-0067	MOTOR (4-0018)	1		
15	44-0071	BLOWER WHEEL	1		
16	44-0014	COUPLER	1		

Id	Item #	Description	Quantity	Rev	Comments
17	44-0017	IGNITION TRANSFORMER (4-0017)	1		
17	44-0015	IGNITION TRANSFORMER (4-0018)	1		
	4-0017	COMPLETE BURNER (INCLUDES 1-17)			
	4-0018	COMPLETE BURNER (INCLUDES 1-17)			



HHS-303-0E1A / HHS-303-0E1A (sn:0-99999999)

FUEL PUMP/SOLENOID



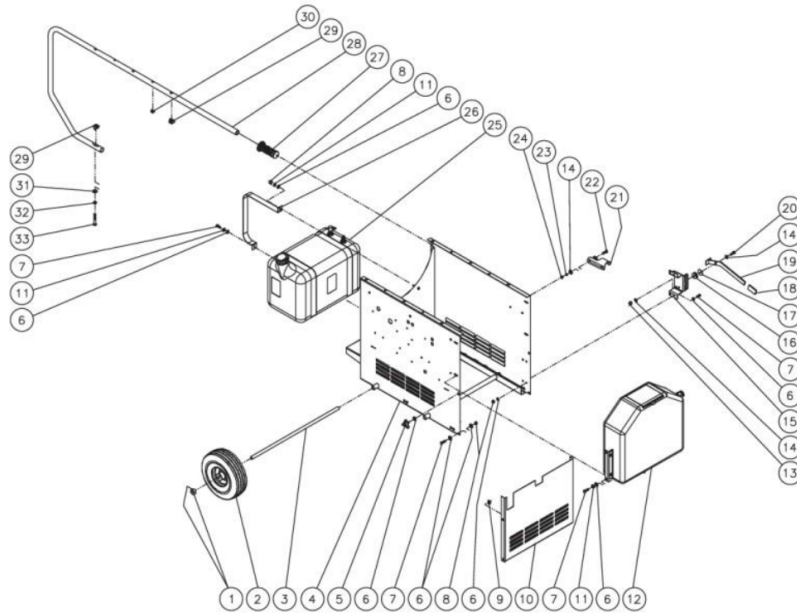
Id	Item #	Description	Quantity	Rev	Comments
1	46-1017	CORD-DIN CONNECTOR	1		
2	N/A Sep.	BASE PLATE (SEE 44-0038)	1		
3	46-1016	NUT-SOLENOID PISTON	1		
4	44-0002	SOLENOID COIL (120V)	1		

Id	Item #	Description	Quantity	Rev	Comments
5	N/A Sep.	SCREW (SEE 44-0038)	2		
6	46-1012	PISTON	1		
7	46-1009	BOLT	1		
8	26-0150	WASHER	2		
9	23-0083	ELBOW	1		
10	44-0025	FUEL LINE	1		
11	24-0082	PLUG	1		
12	N/A Sep.	FUEL PUMP BODY (SEE 3-0020)	1		
13	26-0109	COVER GASKET	1		
14	19-0034	FUEL PUMP STRAINER	1		
15	46-1005	FUEL PUMP COVER	1		
16	46-1006	SCREW	4		
17	N/A Sep.	SOLENOID BODY (SEE 44-0038)	1		
	44-0038	FUEL SOLENOID- 120V (INC. 1-8, 17)	1		
	3-0020	FUEL PUMP (INC. 11-16)	1		



HHS-303-0E1A / HHS-303-0E1A (sn:0-99999999)

CHASSIS ASSEMBLY



Id	Item #	Description	Quantity	Rev	Comments
1	33-0351	RETAINING COLLAR W/SET SCREW	4		
2	14-0017	WHEEL W/MAG	4		
3	20-0524	AXLE	2		
4	5-0157A18	CHASSIS ASSEMBLY	1		

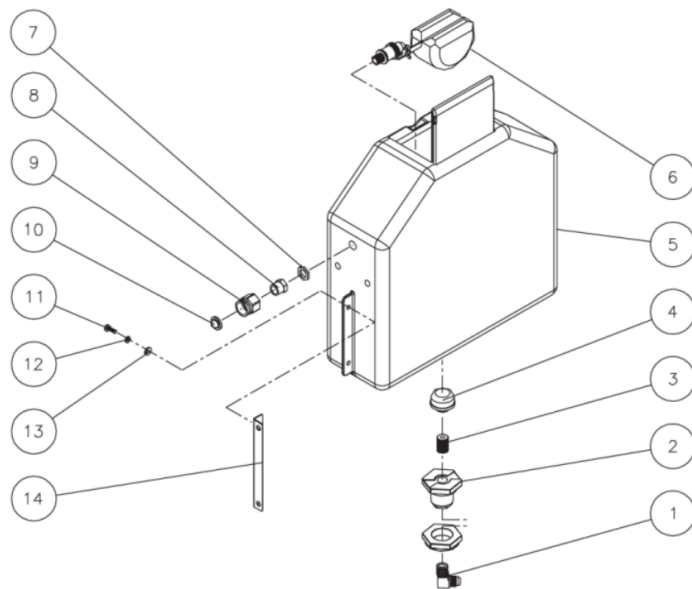
Id	Item #	Description	Quantity	Rev	Comments
5	7-0168	KNOB	2		
6	28-0002	FLATWASHER	22		
7	27-0015	BOLT	12		
8	30-0155	HEX NUT	4		
9	30-6026	CLIP NUT	2		
10	20-0525A18	ACCESS DOOR	1		
11	29-0006	LOCKWASHER	8		
12	N/A Sep.	FLOAT TANK ASSEMBLY (SEE EXPLODED DRAWING)	1		
13	30-0157	NUT	1		
14	28-0003	FLATWASHER	4		
15	20-0546A18	BRAKE	1		
16	28-0057	FLATWASHER	1		
17	33-0366	GROMMET	1		
18	7-0170	HANDLE GRIP	1		
19	20-0552A18	HANDLE BRAKE	1		
20	27-0068	BOLT	1		
21	20-0545A18	WAND HOLDER	1		
22	27-0418	BOLT	2		
23	29-0007	LOCKWASHER	2		
24	30-0005	NUT	2		
25	850-0303	FUEL TANK ASSEMBLY	1		
26	20-0598A18	FUEL TANK STRAP	2		
27	7-0167	HANDLE GRIP	2		
28	7-0166A18	HANDLE	2		
29	30-6025	CLIP NUT	8		
30	30-6027	CLIP NUT	4		
31	28-0023	WASHER	2		
32	29-0008	LOCKWASHER	2		
33	27-0121	BOLT	2		

*MUST ORDER IN ONE FOOT LENGTHS



HHS-303-0E1A / HHS-303-0E1A (sn:0-99999999)

FLOAT TANK



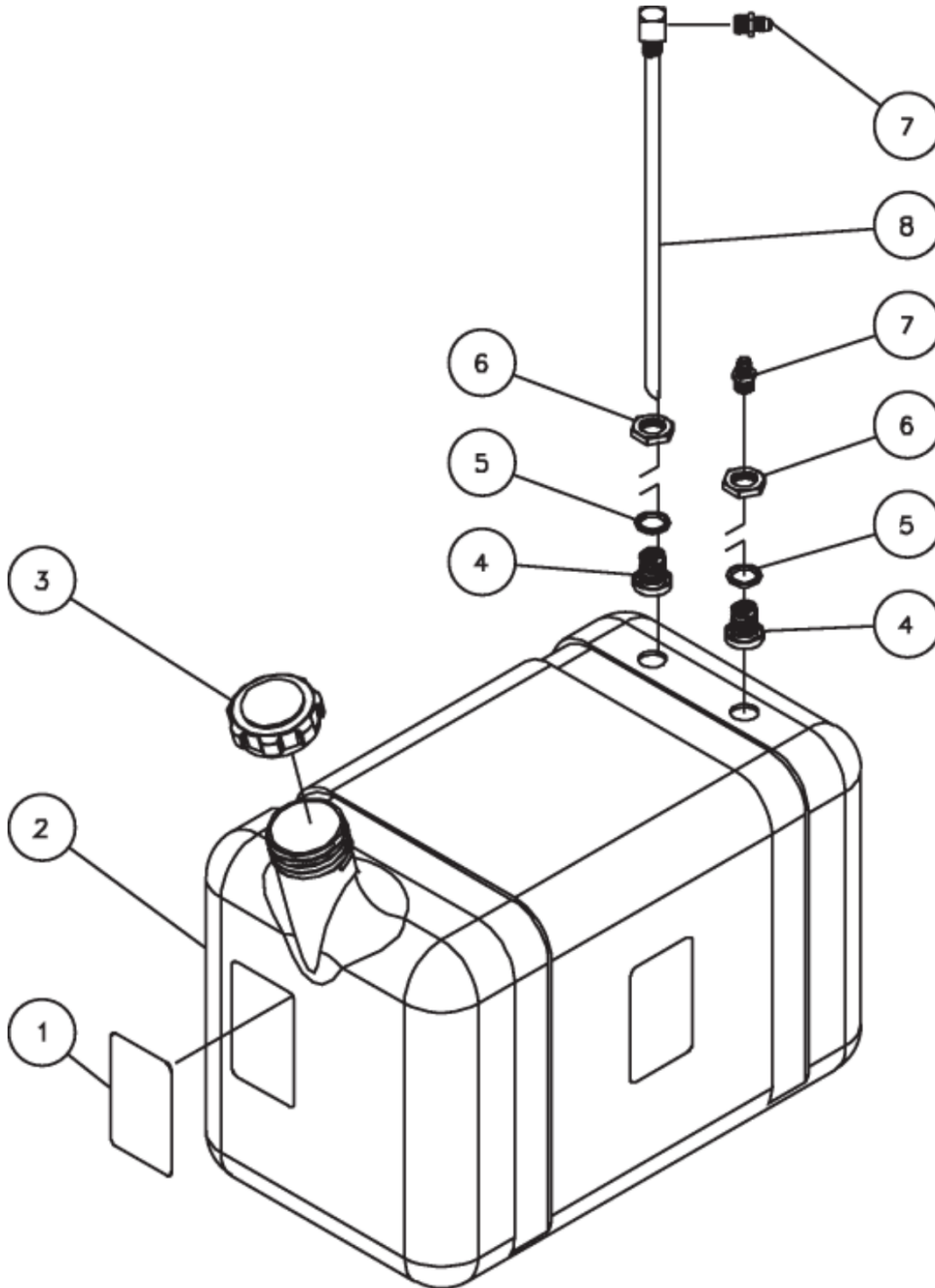
Id	Item #	Description	Quantity	Rev	Comments
1	23-0389	ELBOW	1		
2	55-0886	BULKHEAD	1		
3	23-0019	CLOSE NIPPLE (HHS-2004)	1		
3	23-0403	CLOSE NIPPLE (HHS-1003)	1		

Id	Item #	Description	Quantity	Rev	Comments
3	23-0402	CLOSE NIPPL E(HHS-1002/303)	1		
3	23-0392	CLOSE NIPPLE (HHS-3004)	1		
4	19-0203	WATER TANK STRAINER	1		
5	12-0124	FLOAT TANK	1		
6	850-0238	FLOAT VALVE ASSEMBLY	1		
7	23-0138	LOCKNUT	1		
8	23-0016	BUSHING	1		
9	23-0001	GARDEN HOSE ADAPTER	1		
10	19-0001	INLET STRAINER GASKET	1		
11	27-0015	BOLT	4		
12	29-0006	LOCKWASHER	4		
13	28-0002	FLATWASHER	4		
14	20-0599	FLOAT TANK BRACKET	2		



HHS-303-0E1A / HHS-303-0E1A (sn:0-99999999)

FUEL TANK ASSEMBLY



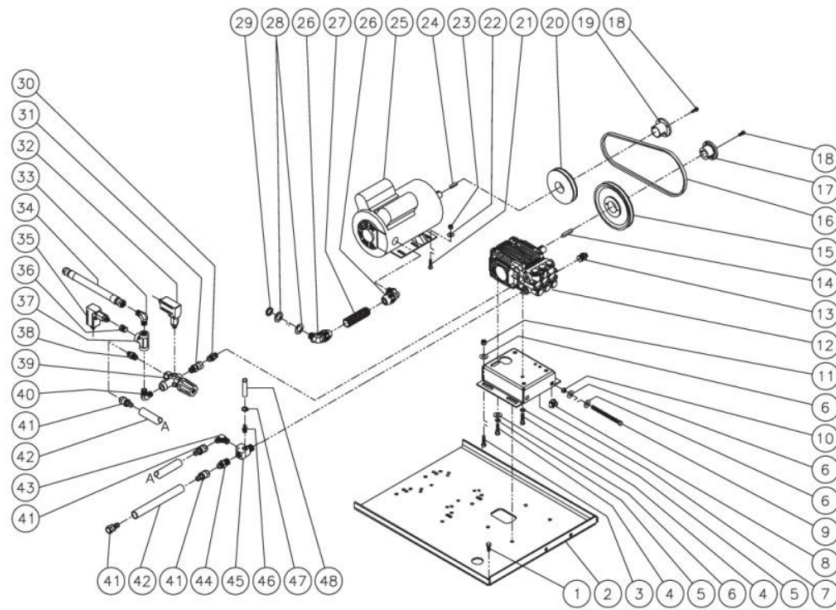
Id	Item #	Description	Quantity	Rev	Comments
1	34-1034	DECAL- CAUTION: RISK OF FIRE	1		
2	12-0126	FUEL TANK	1		
3	12-0033	VENTED FUEL CAP	1		

Id	Item #	Description	Quantity	Rev	Comments
4	23-0408	BULKHEAD FITTING	2		
5	25-0427	O-RING	2		
6	23-0409	NUT	2		
7	23-0247	FLARE FITTING	2		
8	33-0352	FUEL PICK-UP	1		



HHS-303-0E1A / HHS-303-0E1A (sn:0-99999999)

MOTOR/PUMP ASSEMBLY



Id	Item #	Description	Quantity	Rev	Comments
1	27-0066	BOLT	1		
2	5-0152A18	BASEPLATE	1		
3	27-0118	BOLT	4		
4	27-8884	BOLT	4		

Id	Item #	Description	Quantity	Rev	Comments
5	29-0054	LOCKWASHER	4		
6	28-0023	FLATWASHER	9		
7	5-0153A18	PUMP HAT	1		
8	30-6025	CLIP NUT	2		
9	27-0133	BOLT	2		
10	30-0006	HEX NUT	2		
11	30-0159	NUT	4		
12	3-0210	PUMP W/KEY	1		
13	22-0005	HEAT DUMP VALVE	1		
14	43-0091	KEY	1		
15	10-0103	SHEAVE	1		
16	11-0006	BELT	1		
17	9-0017	BUSHING	1		
18	27-0015	BOLT W/BUSHING	4		
19	9-0037	BUSHING	1		
20	10-0105	SHEAVE	1		
21	27-0067	BOLT	4		
22	28-0003	FLATWASHER	4		
23	30-0157	NYLOCK	4		
24	43-0078	KEY	1		
25	2-0118	MOTOR ASSEMBLY	1		
26	32-0254	CONDUIT	2		
27	32-0253	CONDUIT *(THREE FEET REQUIRED)	1		
28	28-0051	FLATWASHER	2		
29	32-0108	LOCKNUT	1		
30	24-0002	NIPPLE	1		
31	24-0037	SWIVEL	1		
32	22-0171	PRESSURE SWITCH	1		
33	24-0092	ELBOW	1		
34	15-0221	HIGH PRESSURE HOSE ASSEMBLY	1		
35	22-0243	PRESSURE SWITCH	1		
36	24-0181	REDUCER	1		
37	24-0026	TEE	1		
38	23-0370	NIPPLE	1		
39	850-0252	UNLOADER ASSEMBLY	1		
40	24-0131	ELBOW	1		
41	23-0360	HOSE BARB	4		
42	15-0200	HOSE *(THREE FEET REQUIRED)	1		
43	23-0389	ELBOW	1		

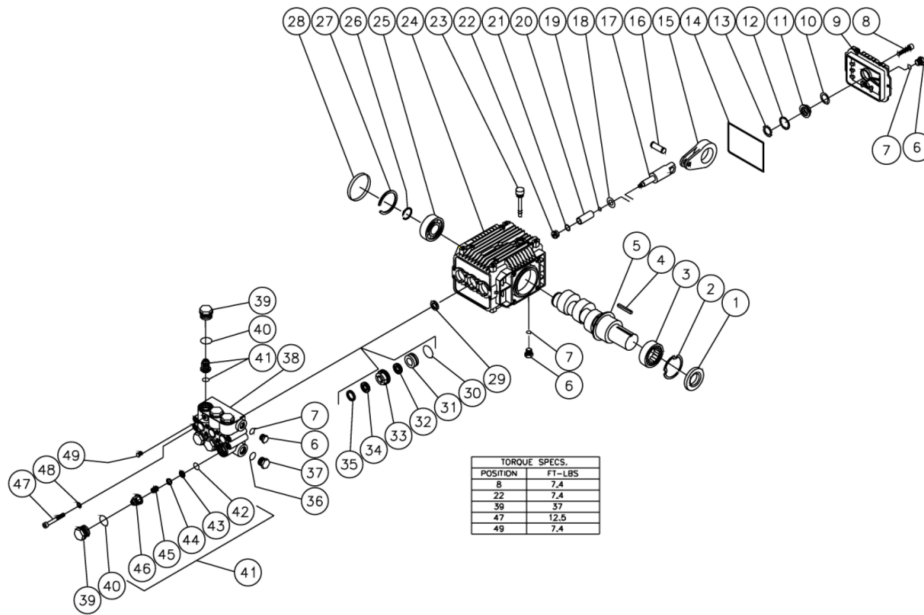
Id	Item #	Description	Quantity	Rev	Comments
44	23-0361	NIPPLE	1		
45	23-0388	STREET TEE	1		
46	23-0051	HOSE BARB	1		
47	42-0004	CLAMP	1		
48	15-0021	DETERGENT HOSE *(THREE FEET REQUIRED)	1		

*MUST ORDER IN ONE FOOT LENGTHS.



HHS-303-0E1A / HHS-303-0E1A (sn:0-99999999)

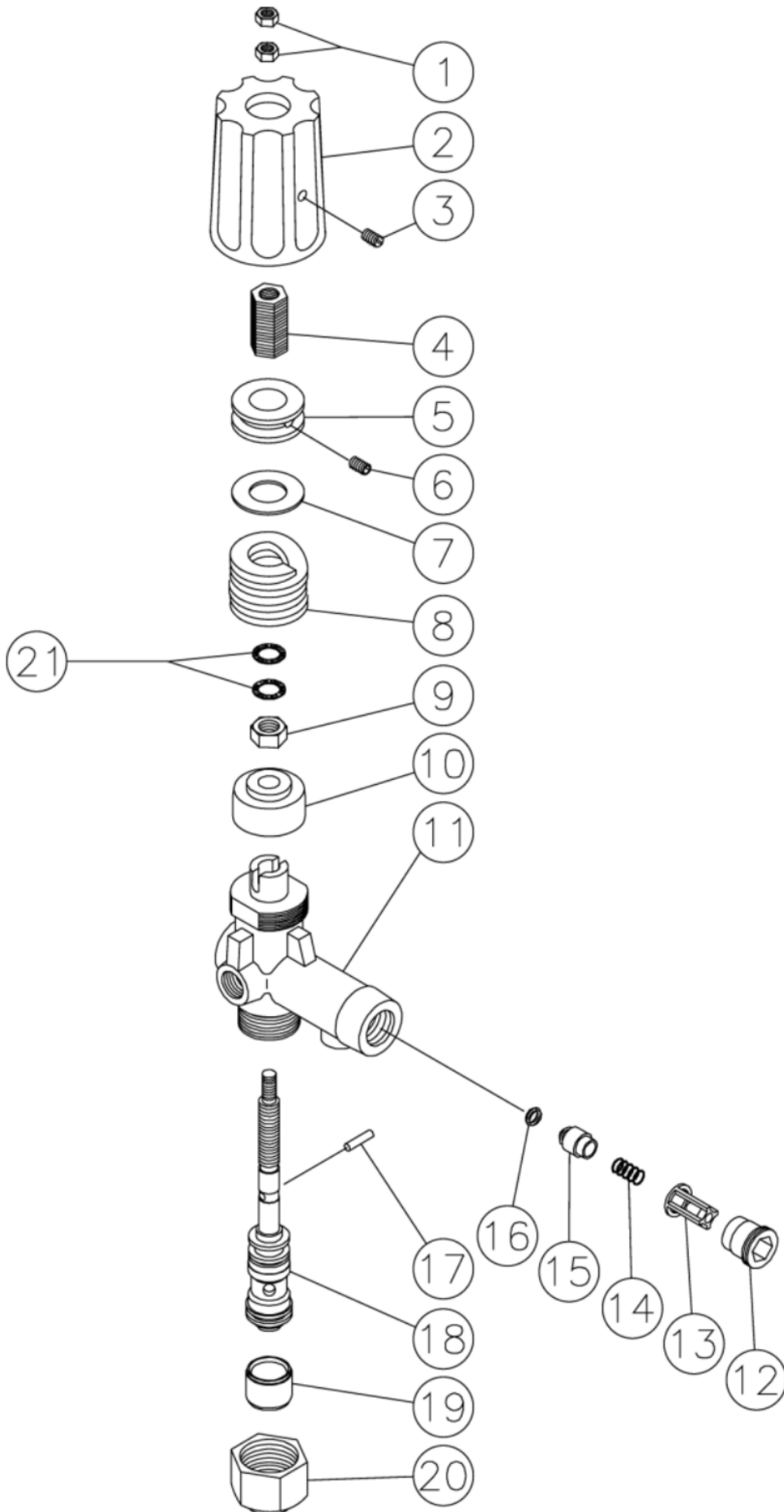
PUMP ASSEMBLY



Id	Item #	Description	Quantity	Rev	Comments
1	26-0250	OIL SEAL	1		
2	46-0667	RETAINING RING	1		
3	48-0059	BEARING	1		
4	43-0091	KEY	1		
5	46-0754	CRANKSHAFT	1		
6	39-0086	PLUG	3		
7	25-0325	O-RING	3		
8	27-8888	BOLT	6		
9	46-0719	CRANKCASE COVER	1		
10	25-0370	O-RING	1		
11	46-0670	OIL SIGHT GLASS	1		
12	46-0824	REFLECTOR	1		
13	46-0671	RETAINER	1		
14	25-0398	O-RING	1		
15	46-0720	CONNECTING ROD	3		
16	46-0721	PISTON PIN	3		

Id	Item #	Description	Quantity	Rev	Comments
17	46-0722	PLUNGER ROD	3		
18	28-1022	WASHER	3		
19	25-0371	O-RING	3		
20	46-0723	PISTON	3		
21	26-0187	WASHER	3		
22	30-6016	NUT	3		
23	39-0090	OIL DIPSTICK	1		
24	46-0724	CRANKCASE	1		
25	48-0063	BEARING	1		
26	46-0732	RETAINING RING	1		
27	46-0676	RETAINING RING	1		
28	46-0725	BEARING CAP	1		
29	26-0193	OIL SEAL	3		
30	25-0399	O-RING	3		
31	46-0726	RETAINER	3		
32	N/A Sep.	LOW PRESSURE SEAL (SEE 70-0181)	3		
33	46-0728	PACKING RETAINER	3		
34	N/A Sep.	V-PACKING (SEE 70-0181)	3		
35	N/A Sep.	SUPPORT RING (SEE 70-0182)	3		
36	25-0372	O-RING	1		
37	39-0088	PLUG	1		
38	46-0730	MANIFOLD	1		
39	39-0087	VALVE CAP	6		
40	25-0160	O-RING	6		
41	N/A Sep.	SINGLE VALVE ASSEMBLY (INC. 42-46) (SEE 70-0161)	6		
42	25-0386	O-RING	6		
43	N/A Sep.	VALVE SEAT (SEE 70-0161)	6		
44	N/A Sep.	VALVE PLATE (SEE 70-0161)	6		
45	N/A Sep.	VALVE SPRING (SEE 70-0161)	6		
46	N/A Sep.	VALVE CAGE (SEE 70-0161)	6		
47	27-8875	HEAD BOLT	8		
48	29-0153	LOCKWASHER	8		
49	39-0097	PLUG	1		
KIT	70-0181	HIGH PRESSURE SEALS (INC. 3 EACH 30, 32, 34)			
KIT	70-0182	SUPPORT RINGS (INC. 3 EACH 35)			
KIT	70-0161	VALVES (INC. 6 EACH 42-46)			

UNLOADER

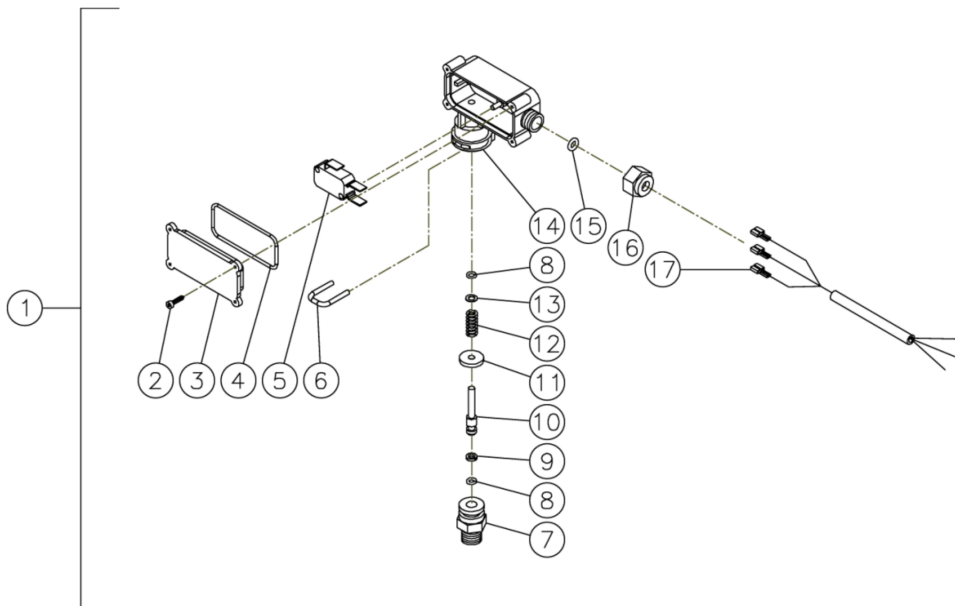


Id	Item #	Description	Quantity	Rev	Comments
1	8-0362	HEX NUT	2		
2	7-0098	COVER	1		
3	27-4280	SET SCREW	1		
4	8-0363	ADJUSTING INSERT- BRASS	1		
5	8-0364	ADJUSTMENT NUT	1		
6	8-0365	SET SCREW	1		
7	8-0366	GLIDE RING	1		
8	49-0104	SPRING	1		
9	8-0367	HEX NUT	1		
10	8-0368	BUSHING	1		
11	8-0369	UNLOADER BODY	1		
12	8-0269	RETAINER	1		
13	8-0104	VALVE HOUSING	1		
14	49-0023	SPRING	1		
15	8-0105	VALVE	1		
16	25-0036	O-RING	1		
17	8-0372	CYLINDER PIN	1		
18	70-0243	PISTON REPAIR KIT	1		
19	8-0371	SPACER	1		
20	8-0157	STOP NUT	1		
21	29-0154	WASHER	2		
	70-0244	CHECK VALVE REPAIR KIT (INCLUDES 13-16)			



HHS-303-0E1A / HHS-303-0E1A (sn:0-99999999)

PRESSURE SWITCH



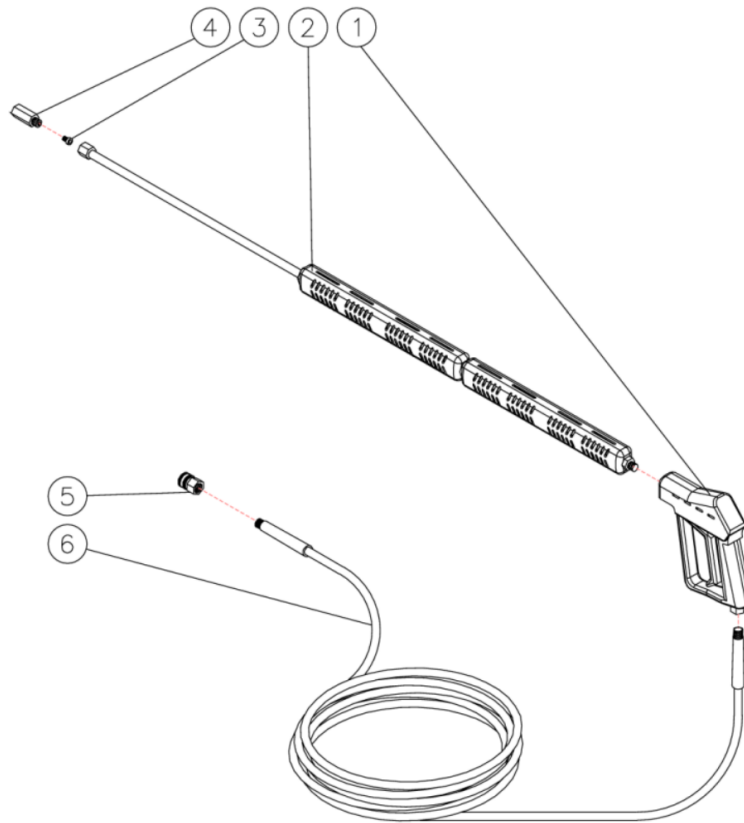
Id	Item #	Description	Quantity	Rev	Comments
1	22-0171	PRESSURE SWITCH- 15 BAR	1		
1	22-0243	PRESSURE SWITCH- 25 BAR	1		
2	N/A	SCREW	4		
3	N/A	COVER	1		
4	N/A Sep.	O-RING (SEE 70-0306)	1		
5	N/A	MICRO SWITCH	1		
6	N/A	RETAINER CLIP	1		
7	N/A	BODY	1		
8	N/A Sep.	O-RING (SEE 70-0306)	2		
9	N/A Sep.	BACK-UP RING (SEE 70-0306)	1		
10	N/A	PISTON	1		
11	N/A	WASHER	1		
12	49-0144	SPRING- 15 BAR	1		
12	49-0145	SPRING- 25 BAR	1		
13	N/A	WASHER	1		
14	N/A	PLASTIC HOUSING	1		

Id	Item #	Description	Quantity	Rev	Comments
15	N/A Sep.	O-RING (SEE 70-0306)	1		
16	N/A	NUT- 15 BAR	1		
16	N/A	NUT- 25 BAR	1		
17	N/A	WIRE ASSEMBLY	1		
KIT	70-0306	O-RING REPAIR KIT (INC. 4, 8-9, 15)			



HHS-303-0E1A / HHS-303-0E1A (sn:0-99999999)

GUN/WAND/HOSE ASSEMBLY



Id	Item #	Description	Quantity	Rev	Comments
1	16-0001	GUN ASSEMBLY	1		
2	16-0389	LANCE ASSEMBLY	1		
3	18-0358	STEAM NOZZLE	1		
4	23-0350	STEAM NOZZLE HOLDER	1		

Id	Item #	Description	Quantity	Rev	Comments
5	17-0004	QUICK CONNECT SOCKET	1		
6	15-0077	HIGH PRESSURE HOSE ASSEMBLY	1		