

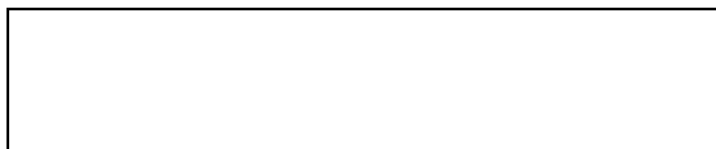
# PARTS MANUAL



## **WHISPERWATT SERIES MODEL DCA220SSJU4F3 60HZ GENERATOR (JOHN DEERE 6068HFG06 DIESEL ENGINE)**

**PARTS LIST NO. M4871300104**

Revision #0 (07/19/21)



**THIS MANUAL MUST ACCOMPANY THE EQUIPMENT AT ALL TIMES.**

## **DCA220SSJU4F3 60 Hz Generator**

Table Of Contents .....	2
Explanation Of Code In Remarks Column.....	4
Suggested Spare Parts .....	5

### **Component Drawings**

Generator Assembly .....	6–9
Control Panel Assembly .....	10–11
Control Panel Assembly (BASLER DGC2020HD Option).....	12–13
Control Box Assembly .....	14–17
Control Box Assembly (Basler Option) .....	18–19
Ethernet Cable Assembly (Basler Option).....	20–21
Engine And Radiator Assembly.....	22–25
Output Terminal Assembly.....	26–29
Camlok Panel Assembly (Option).....	30–31
Battery Assembly.....	32–33
Muffler Assembly .....	34–35
DEF Tank Assembly .....	36–37
Fuel Tank Assy.....	38
Fuel Tank Assy.....	39
Enclosure 1 Assembly .....	40–45
Enclosure 2 Assembly .....	46–47
Rubber Seals Assembly .....	48–49
Water Heating Element Assembly (Option) .....	50–51
Battery Charger Assembly (Option).....	52–53
Nameplate And Decals Assembly .....	54–57

#### **NOTICE**

Specifications and part numbers are subject to change without notice.

# EXPLANATION OF CODE IN REMARKS COLUMN

The following section explains the different symbols and remarks used in the Parts section of this manual. Use the help numbers found on the back page of the manual if there are any questions.

## NOTICE

The contents and part numbers listed in the parts section are subject to change **without notice**. Multiquip does not guarantee the availability of the parts listed.

## SAMPLE PARTS LIST

NO.	PART NO.	PART NAME	QTY.	REMARKS
1	12345	BOLT .....	1	INCLUDES ITEMS W/%
2%		WASHER, 1/4 IN. ....		NOT SOLD SEPARATELY
2%	12347	WASHER, 3/8 IN. ..1		MQ-45T ONLY
3	12348	HOSE .....	A/R	MAKE LOCALLY
4	12349	BEARING .....	1	S/N 2345B AND ABOVE

## NO. Column

**Unique Symbols** — All items with same unique symbol (@, #, +, %, or >) in the number column belong to the same assembly or kit, which is indicated by a note in the “Remarks” column.

**Duplicate Item Numbers** — Duplicate numbers indicate multiple part numbers, which are in effect for the same general item, such as different size saw blade guards in use or a part that has been updated on newer versions of the same machine.

## NOTICE

When ordering a part that has more than one item number listed, check the remarks column for help in determining the proper part to order.

## PART NO. Column

**Numbers Used** — Part numbers can be indicated by a number, a blank entry, or TBD.

TBD (To Be Determined) is generally used to show a part that has not been assigned a formal part number at the time of publication.

A blank entry generally indicates that the item is not sold separately or is not sold by Multiquip. Other entries will be clarified in the “Remarks” Column.

## QTY. Column

**Numbers Used** — Item quantity can be indicated by a number, a blank entry, or A/R.

A/R (As Required) is generally used for hoses or other parts that are sold in bulk and cut to length.

A blank entry generally indicates that the item is not sold separately. Other entries will be clarified in the “Remarks” Column.

## REMARKS Column

Some of the most common notes found in the “Remarks” Column are listed below. Other additional notes needed to describe the item can also be shown.

**Assembly/Kit** — All items on the parts list with the same unique symbol will be included when this item is purchased.

Indicated by:

“INCLUDES ITEMS W/(unique symbol)”

**Serial Number Break** — Used to list an effective serial number range where a particular part is used.

Indicated by:

“S/N XXXXX AND BELOW”

“S/N XXXX AND ABOVE”

“S/N XXXX TO S/N XXX”

**Specific Model Number Use** — Indicates that the part is used only with the specific model number or model number variant listed. It can also be used to show a part is NOT used on a specific model or model number variant.

Indicated by:

“XXXXX ONLY”

“NOT USED ON XXXX”

**“Make/Obtain Locally”** — Indicates that the part can be purchased at any hardware shop or made out of available items. Examples include battery cables, shims, and certain washers and nuts.

**“Not Sold Separately”** — Indicates that an item cannot be purchased as a separate item and is either part of an assembly/kit that can be purchased, or is not available for sale through Multiquip.

## SUGGESTED SPARE PARTS

### DCA220SSJU4F3 PORTABLE GENERATOR WITH JOHN DEERE 6068HFG06 DIESEL ENGINE

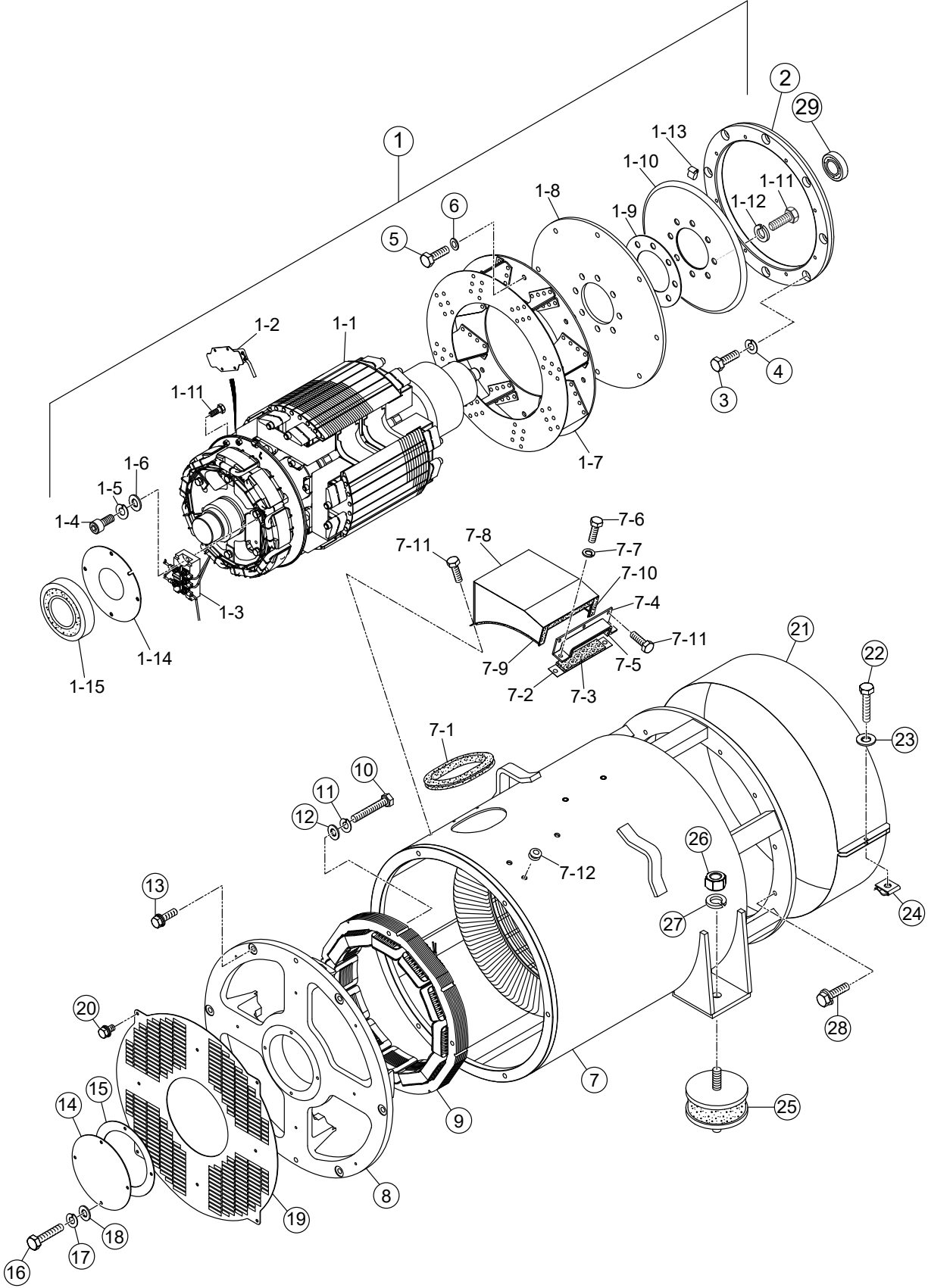
#### 1 to 3 units

Qty.	P/N	Description
1.....	M3311500503.....	RADIATOR HOSE, UPPER
1.....	M3311500603.....	RADIATOR HOSE, LOWER
5.....	RE539279.....	CARTRIDGE, OIL FILTER
1.....	RE556406.....	FUEL FILTER, PRIMARY/SECONDARY
1.....	.0605505072.....	CAP, FUEL TANK
3.....	P537876 .....	ELEMENT, PRIMARY
3.....	P537877 .....	ELEMENT, SAFETY
1.....	R529383 .....	FAN BELT
1.....	.0601820601.....	AUTOMATIC VOLTAGE REGULATOR
1.....	.0601808803.....	CIRCUIT BREAKER, 1P 20A
1.....	.0601808804.....	CIRCUIT BREAKER, 2P 50A
2.....	LY2DUS12VDC ....	RELAY, LY2-D DC12V
5.....	.0602103092.....	LAMP ALARM, 18V RED
1.....	.0601840100.....	KNOB, 25 N
1.....	.0601806643.....	FUSE, 15A
1.....	Y0601806647 .....	FUSE, 25A

#### NOTICE

Part numbers on this Suggested Spare Parts list may supersede/replace the part numbers shown in the following parts lists.

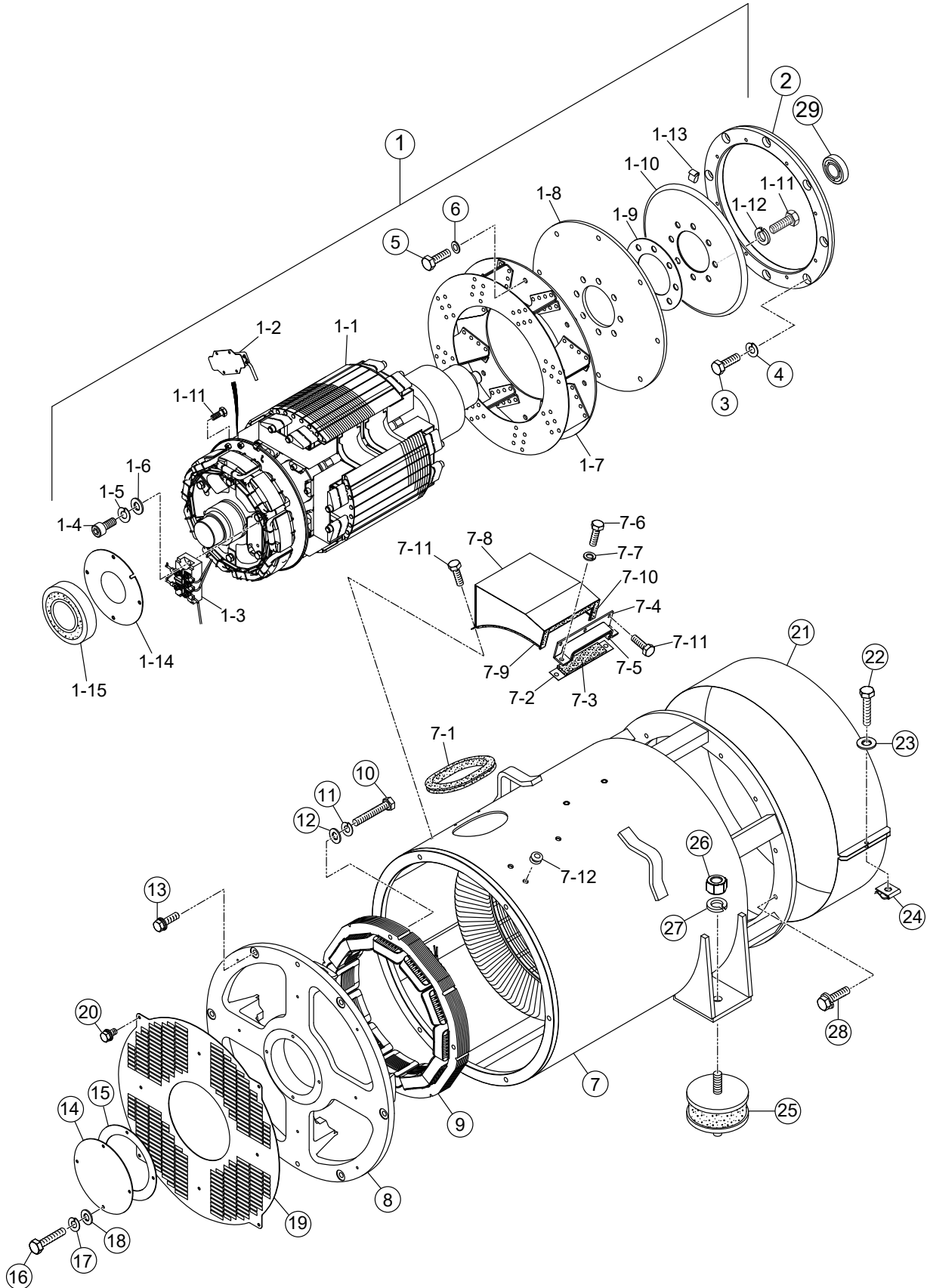
# GENERATOR ASSY.



# GENERATOR ASSY.

<u>NO.</u>	<u>PART NO.</u>	<u>PART NAME</u>	<u>QTY.</u>	<u>REMARKS</u>
1	C1110000602	ROTOR ASSY. ....	1.....	INCLUDES ITEMS W/\$
1-1\$		FIELD ASSY.	1	
1-2\$	0601842334	RESISTOR, 80W 100K OHM	1	
1-3\$	0601823282	RECTIFIER	1	
1-4\$	0018205020	SCREW, HEX. SOCKET HEAD CAP	2	
1-5\$	0032005000	WASHER, LOCK.....	2.....	REPLACES P/N 0040005000
1-6\$	0401450050	WASHER, FLAT .....	2.....	REPLACES P/N 0041205000
1-7\$	8171070002	FAN	1	
1-8\$	8171611003	COUPLING DISK	9	
1-9\$	C1164200004	WASHER, COUPLING HUB	1	
1-10\$	8171015003	BALANCING PLATE .....	1.....	PURCHASE SET OF ITEM 1-13\$
1-11\$	0012116045	HEX. HEAD BOLT	8	
1-12\$	0042616000	WASHER, LOCK	8	
1-13\$	0601000209	BALANCING WEIGHT KIT	1	
1-14\$	C1112500004	FLANGE, BEARING	1	
1-15\$	0071906314	BEARING	1	
2	M4163400003	COUPLING RING	1	
3	0343206120	HEX. HEAD BOLT	8	
4	0043606000	WASHER, LOCK	8	
5	0012112040	HEX. HEAD BOLT	8	
6	0040012000	WASHER, LOCK	8	
7	C1130100903	STATOR ASSY. ....	1.....	INCLUDES ITEMS W/#
7-1#	0226100420	RUBBER SEAL	1	
7-2#	C1183300204	CLAMP	1	
7-3#	0223300120	RUBBER SEAL	1	
7-4#	C1132200303	CLAMP	1	
7-5#	0223100150	RUBBER SEAL	1	
7-6#	0010110035	HEX. HEAD BOLT	2	
7-7#	0041610000	WASHER, FLAT	2	
7-8#	C1132200003	COVER	1	
7-9#	0226000510	RUBBER SEAL	2	
7-10#	0225000470	RUBBER SEAL	1	
7-11#	0017106016	HEX. HEAD BOLT	6	
7-12#	0601850144	GROMMET	1	
8	C1154000002	END BRACKET	1	
9	C1138000003	FIELD ASSY., EXCITER	1	
10	0012110065	HEX. HEAD BOLT	4	
11	0042610000	WASHER, LOCK	4	
12	0041210000	WASHER, FLAT	4	
13	0017112045	HEX. HEAD, BOLT	6	
14	C1154400004	COVER, BEARING	1	
15	C1154300004	GASKET, BEARING	1	
16	0010106060	HEX. HEAD BOLT	4	
17	0040006000	WASHER, LOCK	4	
18	0041206000	WASHER, FLAT	4	

# GENERATOR ASSY. (CONT'D.)

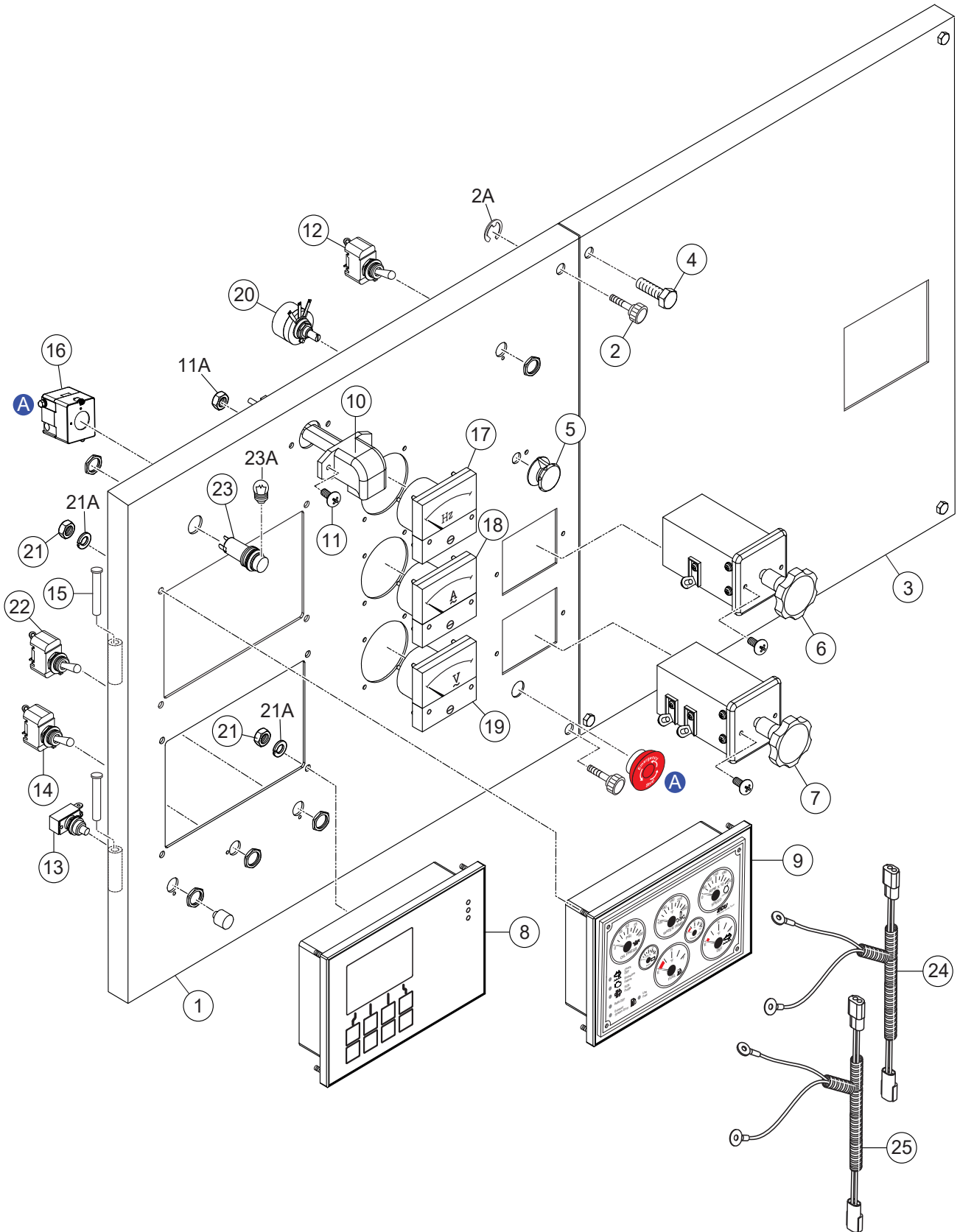


## GENERATOR ASSY. (CONT'D.)

---

<u>NO.</u>	<u>PART NO.</u>	<u>PART NAME</u>	<u>QTY.</u>	<u>REMARKS</u>
19	C1154400103	SUCTION COVER	1	
20	0017106016	HEX. HEAD BOLT	8	
21	C1132300114	COVER, FAN	1	
22	0010106030	BOLT, HEX. HEAD	1	
23	0041206000	WASHER, FLAT	1	
24	0600815000	NUT	1	
25	0605000463	RUBBER SUSPENSION	2	
26	0030016000	NUT, HEX.	4	
27	0040016000	WASHER, LOCK	4	
28	0012810030	HEX. HEAD BOLT	12	
29	0070506307	BEARING	1	

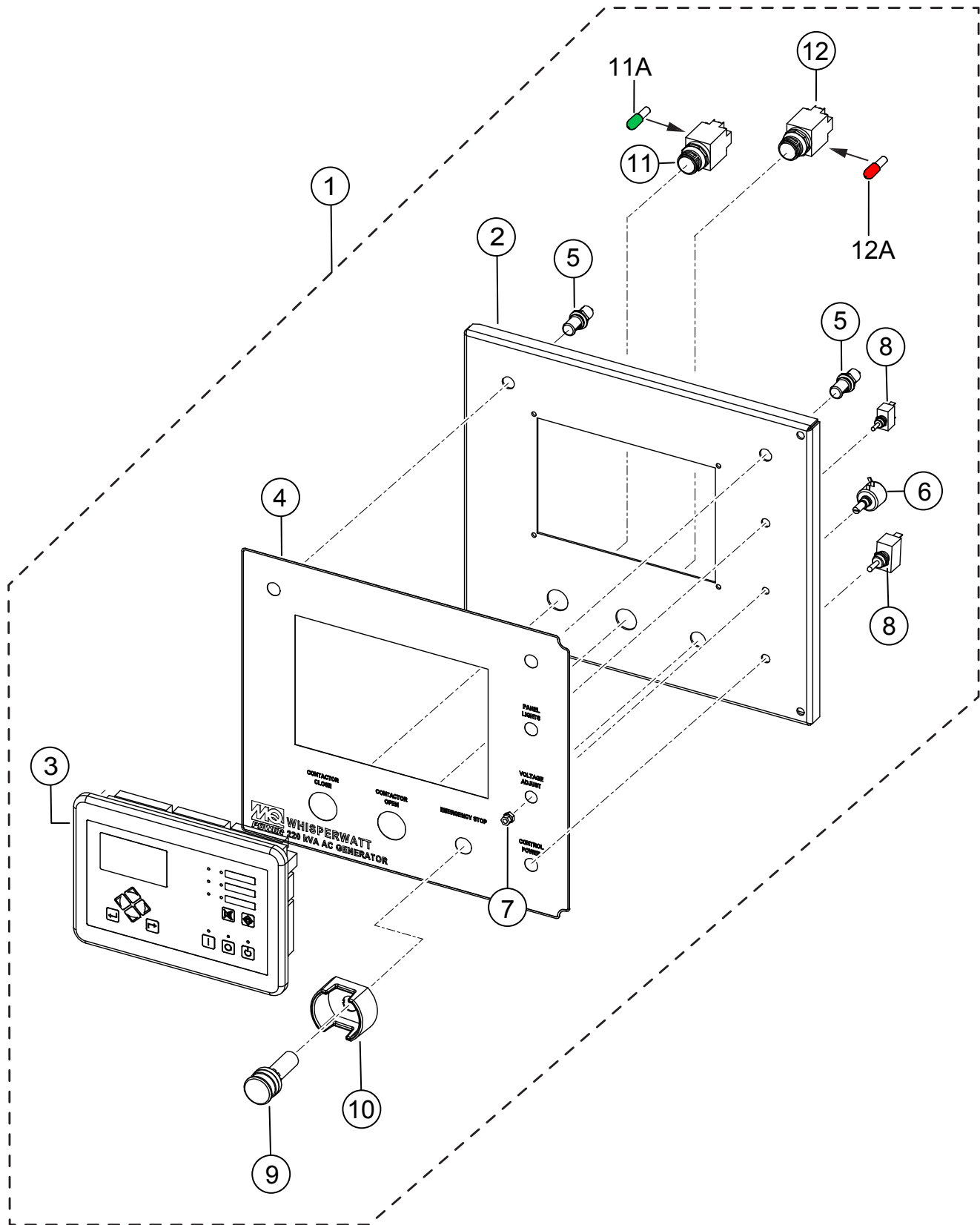
# CONTROL PANEL ASSY.



## CONTROL PANEL ASSY.

<u>NO.</u>	<u>PART NO.</u>	<u>PART NAME</u>	<u>QTY.</u>	<u>REMARKS</u>
1	M3224001203	CONTROL PANEL	1	
2	M9220100004	SET SCREW	2	
2A	0080200007	E-RING	2	
3	M4223000604	CONTROL PANEL	1	
4	0016908040	HEX HEAD BOLT	4	
5	0601840121	KNOB	1	
6	0601801040	CHANGE-OVER SWITCH, AMMETER	1	
7	0601801041	CHANGE-OVER SWITCH, VOLTMETER	1	
8	Y0602203048	ECU CONTROLLER	1	
9	Y0602120568	GAUGE UNIT ASSEMBLY	1	
10	Y0601810170	PANEL LIGHT, 12V	1	
11	0027104020	MACHINE SCREW	2	
11A	OEMAA8	HEX. NUT .....	2	REPLACES P/N 0207004000
12	0601830710	PANEL LIGHT SWITCH	1	
13	0601831205	PUSH BUTTON, RED	1	
14	82608	TOGGLE SWITCH .....	1	REPLACES P/N 0601831340
15	0605011211	PIN	2	
16	0601831557	EMERGENCY STOP BUTTON	1	
17	0601807642	FREQUENCY METER, 45~65HZ 240V	1	
18	0601808992	AC AMMETER, 0~400A/800A:5A	1	
19	0601800275	AC VOLTMETER, 0~600V	1	
20	0601840073	VOLTAGE REGULATOR, 1K	1	
21	Y0206707000	HEX. NUT	8	
21A	Y0044807000	WASHER, LOCK	8	
22	0601830710	ENGINE SPEED SWITCH	1	
23	0602103092	LAMP, ALARM 18V RED .....	1	INCLUDES ITEMS W/#
23A#	0601810277	BULB, 18V	1	
24	M4247700004	WIRE HARNESS, GENERATOR	1	
25	M3358201602	WIRE HARNESS, ENGINE	1	

# CONTROL PANEL ASSY. (BASLER DGC2020HD OPTION)



## **CONTROL PANEL ASSY. (BASLER DGC2020HD OPTION)**

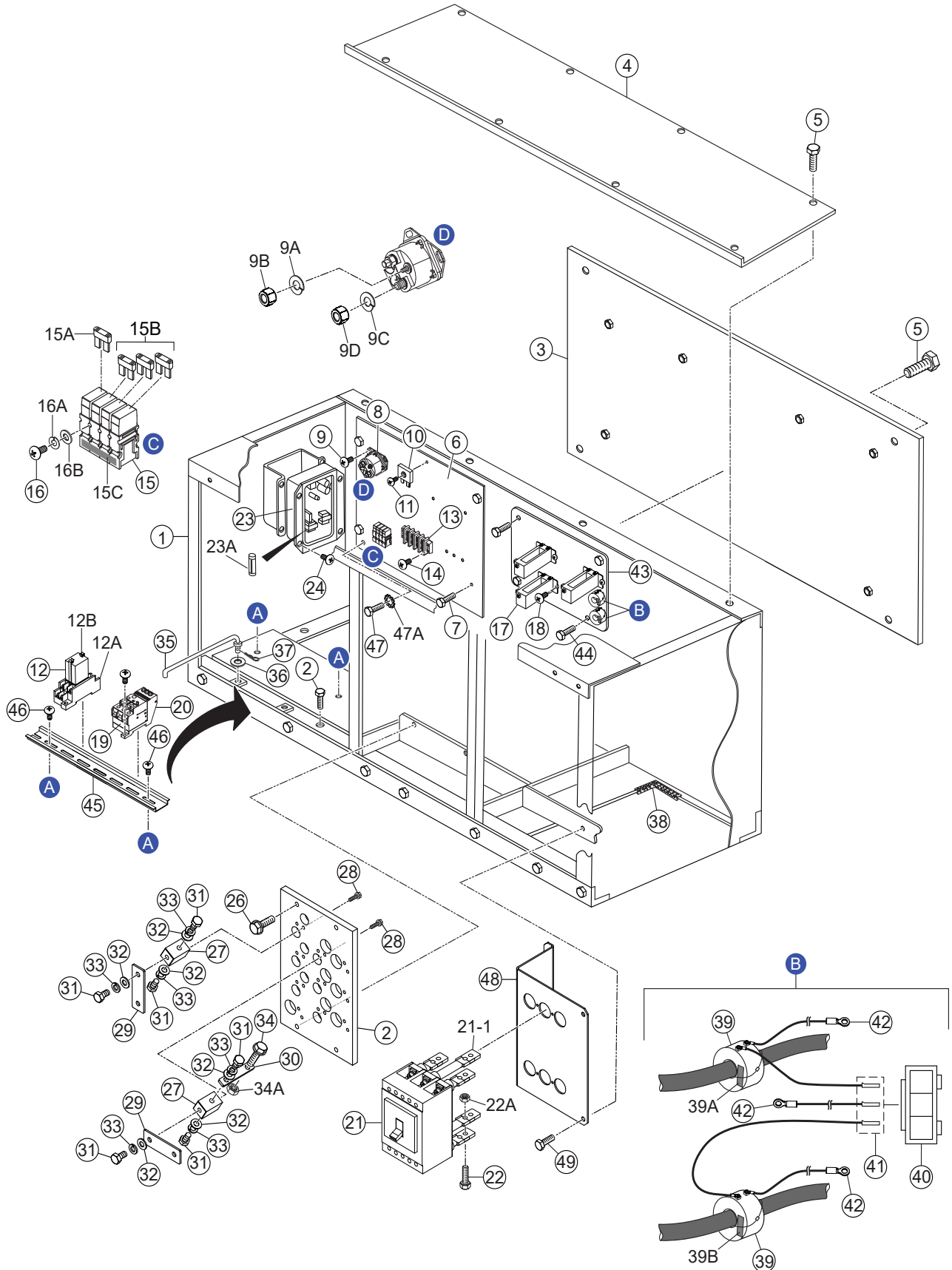
<u>NO.</u>	<u>PART NO.</u>	<u>PART NAME</u>	<u>QTY.</u>	<u>REMARKS</u>
1	EE59231	PANEL ASSY., PARALLELING, DGC2020HD ...	1	INCLUDES ITEMS W/%
2%	EE59122	PANEL, PARALLEL, BASLER DGC2020HD	1	
3%	EE59259	CONTROLLER, DGC2020HD, COLOR	1	
4%	EE59123	DECAL, PARALLEL, BASLER 2020HD	1	
5%	EE55761	LIGHT, PANEL, LED POWERED, 12-36VDC	2	
6%	EE2115	POTENTIOMETER, 5K OHM	1	
7&	EE9949	NUT, SHAFT LOCK, POTENTIOMETER	1	
8%	EE2591	SWITCH, TOGGLE, SPST	2	
9%	EE57855	SWITCH, E-STOP, RED, 24V LED	1	
10%	EE52893	BEZEL EMERG. STOP YELLOW PLASTIC	1	
11%	EE23374	PUSHBUTTON, SWITCH (GREEN)	1	
11A%	EE39554	LED, 12V, GREEN	1	
12%	EE23375	PUSHBUTTON, SWITCH (RED)	1	
12A%	EE5895	LED, 12V, RED	1	



## CONTROL BOX ASSY.

<u>NO.</u>	<u>PART NO.</u>	<u>PART NAME</u>	<u>QTY.</u>	<u>REMARKS</u>
1	M4214000102	CONTROL BOX	1	
2	011008020	HEX. HEAD BOLT .....	14.....	REPLACES P/N 0016908020
3	M5214400304	BACK PANEL	1	
4	M4213500104	UP PANEL	1	
5	011008020	HEX. HEAD BOLT .....	16.....	REPLACES P/N 0016908020
6	M4261500004	SET PANEL	1	
7	011008020	HEX. HEAD BOLT .....	4.....	REPLACES P/N 0016908020
8	Y0602201458	STARTER RELAY	1	
9	011808015	MACHINE SCREW .....	2.....	REPLACES P/N 0027106015
9A	0044808000	WASHER, LOCK	2	
9B	Y0206508000	HEX. NUT	2	
9C	0043003000	WASHER, LOCK	2	
9D	Y0206803000	HEX. NUT	2	
10	0601821370	RECTIFIER, DE-45.....	1.....	REPLACES P/N 0601823240
11	0027104020	MACHINE SCREW	1	
12	LY2DUS12VDC	RELAY, DC12V .....	1.....	REPLACES P/N 0601827656
12A	PTF08A	RELAY BASE.....	1.....	REPLACES P/N 0601823106
12B	PYCA1	RELAY CLIP .....	2.....	REPLACES P/N 0601824400
13	0601815153	TERMINAL BLOCK	1	
14	0027104020	MACHINE SCREW	2	
15	M3214601504	FUSE HOLDER ASSY.	1	
15A	0601806643	FUSE, 15A	1	
15B	Y0601806647	FUSE, 25A	3	
15C	M9501401104	DECAL: FUSE HOLDER	1	
16	Y0021003035	MACHINE SCREW	2	
16A	0040003000	WASHER, LOCK	2	
16B	Y0042103000	WASHER, FLAT	2	
17	0601809667	CURRENT TRANSFORMER	3	
18	011206020	MACHINE SCREW .....	6.....	REPLACES P/N 0027106020
19	Y0601820843	OVER CURRENT RELAY	1	
20	Y0601820844	OVER CURRENT RELAY BASE	1	
21	Y0601807533	CIRCUIT BREAKER 3P, 600A	1	
21-1	Y0601827412	REAR TERMINAL BUSBAR (SET)	2	
22	014210040	HEX. HEAD BOLT .....	6.....	REPLACES P/N 0017110040
22A	021112140	SELF-LOCKING NUT .....	6.....	REPLACES P/N 0207010000
23	0601820601	AUTOMATIC VOLTAGE REGULATOR.....	1.....	INCLUDES ITEMS W/#
23A#	Y0601806683	FUSE, 8A	1	
24	0027105015	MACHINE SCREW	4	
25	M4273000003	TERM. BRD., VOLTAGE CHANGE-OVER	1	
26	011208030	HEX. HEAD BOLT .....	4.....	REPLACES P/N 0016908030
27	8181852104	CHANGE TERMINAL.....	10.....	REPLACES P/N M4276400004
28	011606025	HEX. HEAD BOLT .....	20.....	REPLACES P/N 0016906025
29	8181853104	CHANGE-OVER PLATE .....	6.....	REPLACES P/N M4276300004
30	C0277200004	CHANGE PLATE.....	3.....	REPLACES P/N M4276200004
31	012210020	TIE BOLT .....	26.....	REPLACES P/N M9220100104
32	0041410000	WASHER, FLAT	26	

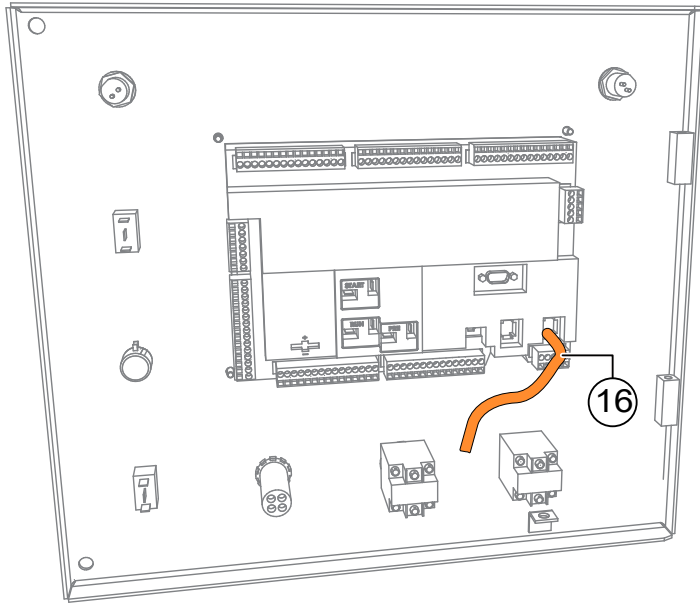
# CONTROL BOX ASSY. (CONT'D.)



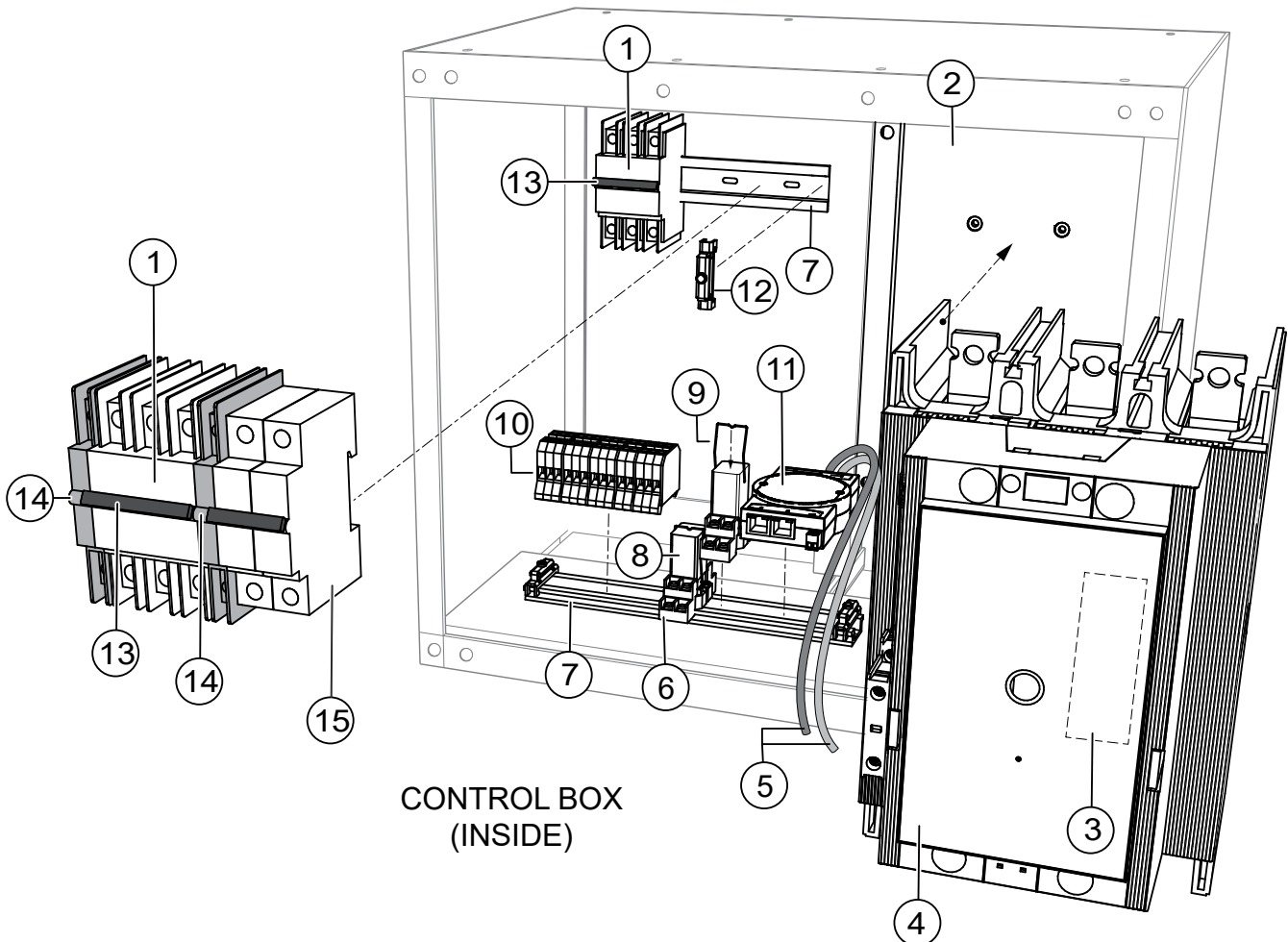
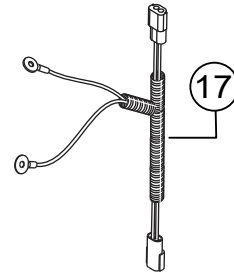
## CONTROL BOX ASSY. (CONT'D.)

<u>NO.</u>	<u>PART NO.</u>	<u>PART NAME</u>	<u>QTY.</u>	<u>REMARK</u>
33	0040010000	WASHER, LOCK	26	
34	014210040	HEX. HEAD BOLT .....	3.....	REPLACES P/N 0017110040
34A	0207010000	SELF-LOCKING NUT .....	3.....	REPLACES P/N 021112140
35	M4213600104	STOPPER, CONTROL PANEL	1	
36	952404470	WASHER, FLAT .....	1.....	REPLACES P/N 0041206000
37	505015300	SNAP PIN .....	1.....	REPLACES P/N 0605010502
38	Y0411100315	EDGE TRIM	1	
39	Y0601872913	CURRENT TRANSFORMER, 5A	2	
39A	M9521001604	DECAL: CT4	1	
39B	M9521001704	DECAL: CT5	1	
40	Y0601813924	PLUG	1	
41	0601812711	PINS	3	
42	Y0601815586	ROUND TERMINAL	3	
43	M3261500404	SET PANEL	1	
44	0016906015	HEX. HEAD BOLT	4	
45	Y0290000245	MOUNTING RAIL	1	
46	0027104015	MACHINE SCREW	2	
47	0016906015	HEX. HEAD BOLT	1	
47A	0040506000	TOOTHED WASHER	1	
48	M4214600104	CIRCUIT BREAKER SET PANEL	1	
49	011008020	HEX. HEAD BOLT .....	4.....	REPLACES P/N 0016908020

# CONTROL BOX ASSY. (BASLER OPTION)



BASLER CONTROL PANEL  
(REAR)



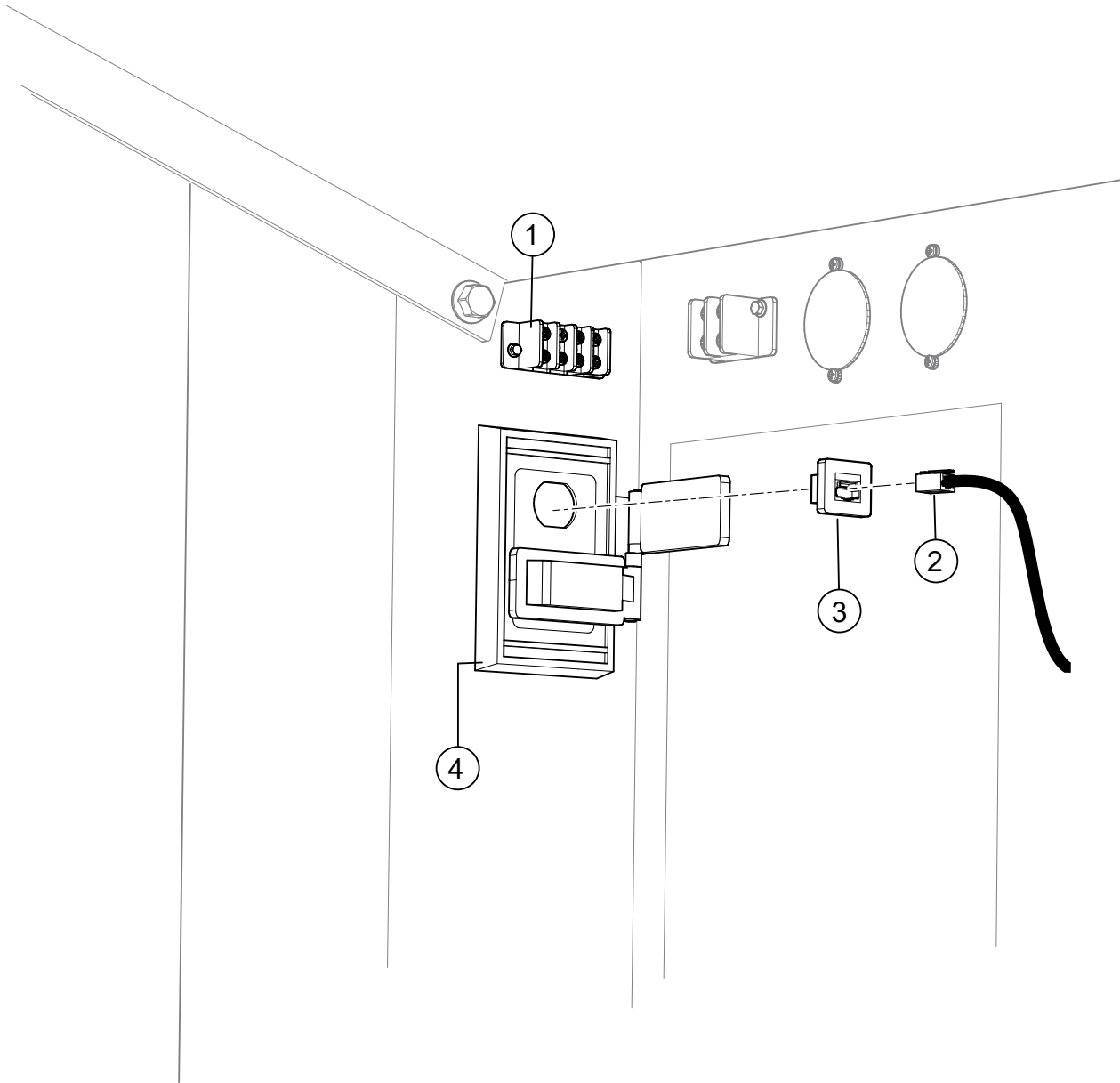
CONTROL BOX  
(INSIDE)

## **CONTROL BOX ASSY. (BASLER OPTION)**

---

<u>NO.</u>	<u>PART NO.</u>	<u>PART NAME</u>	<u>QTY.</u>	<u>REMARKS</u>
1	EE55784	CIRCUIT BREAKER (ABB), 3P, 10A, 480V	2	
2	EE59124	BRACKET, CONTACTOR	1	
3	EE56647	SWITCH (ABB), AUX/BELL	1	
4	EE59127	CONTACTOR (ABB), 650A, 100-250V	1	
5	EE50312	CABLE, ETHERNET, 10FT	2	
6	EE26385	RELAY BASE	2	
7	EE10071	RAIL, DIN, ALUM, .413" X 1.37" X 36"	1	
8	EE58130	RELAY, DC12V	2	
9	EE26135	RELAY CLIP	2	
10	EE26112	BLOCK, TERMINAL 14 POS.	1	
11	EE58065	ETHERNET SWITCH, 5 PORT 10-30VDC	1	
12	EE2940	END STOP, DIN RAIL	4	
13	EE32611	JUMPER, 3-POLE	2	
14	EE55785	SWITCH (ABB), AUX	2	
15	EE38585	CIRCUIT BREAKER (ABB), 2-POLE, 10A	1	
16	EE56188	CABLE, ETHERNET, ORANGE, 3 FT	1	
17	EE59200	HARNESS, PARALLELING	1	

# ETHERNET CABLE ASSY. (BASLER OPTION)

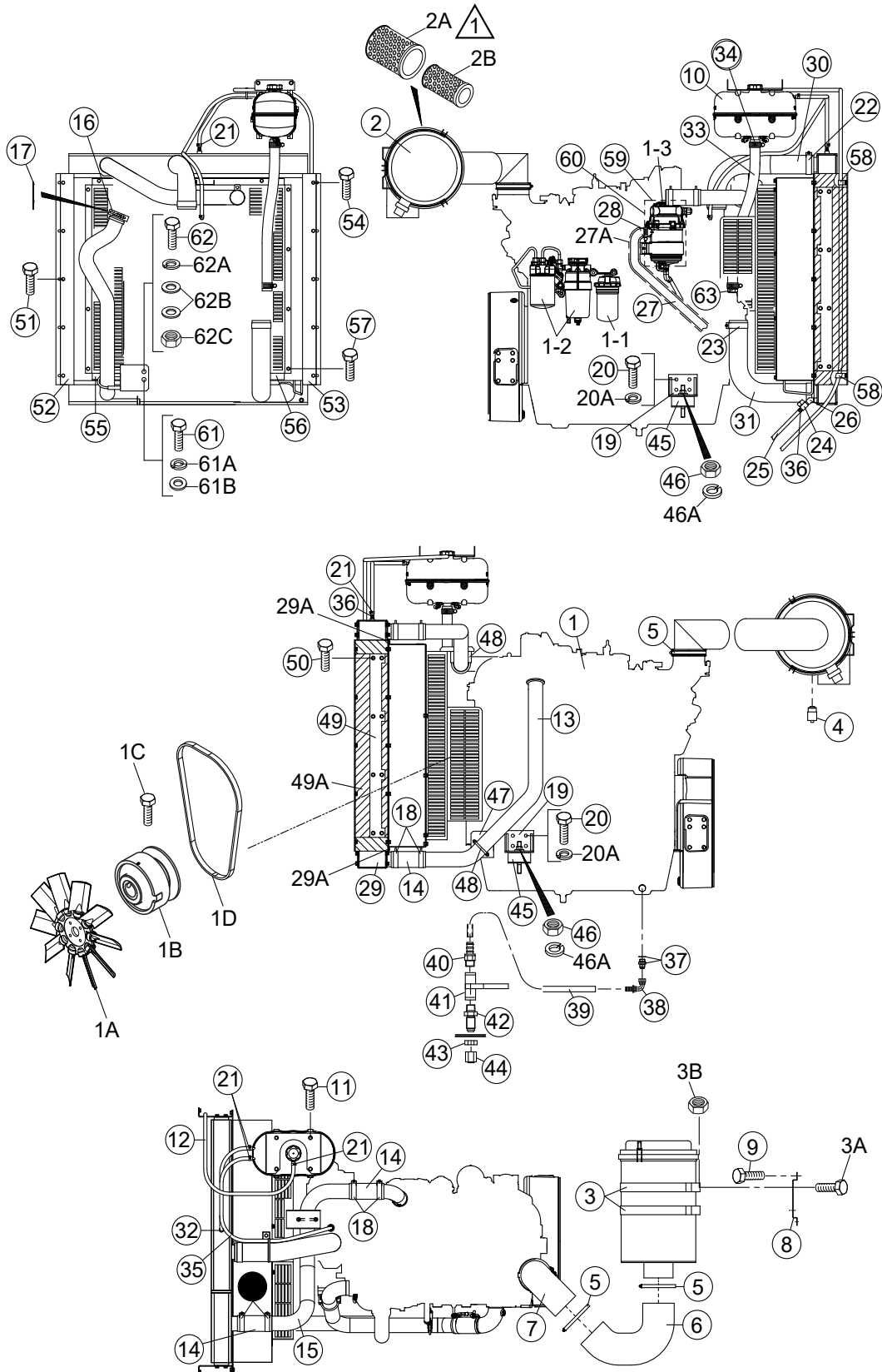


## **ETHERNET CABLE ASSY. (BASLER OPTION)**

---

<u>NO.</u>	<u>PART NO.</u>	<u>PART NAME</u>	<u>QTY.</u>	<u>REMARKS</u>
1	EE59027	TERMINAL BLOCK, 4-POS.	1	
2	EE55780	CABLE, ETHERNET CAT5E SHIELDED 50FT	1	
3	EE55760	JACK, FEEDTHROUGH, RJ45, CAT5E	2	
4	EE58796	COVER, NONMETALLIC, WEATHERPROOF	1	

# ENGINE AND RADIATOR ASSY.

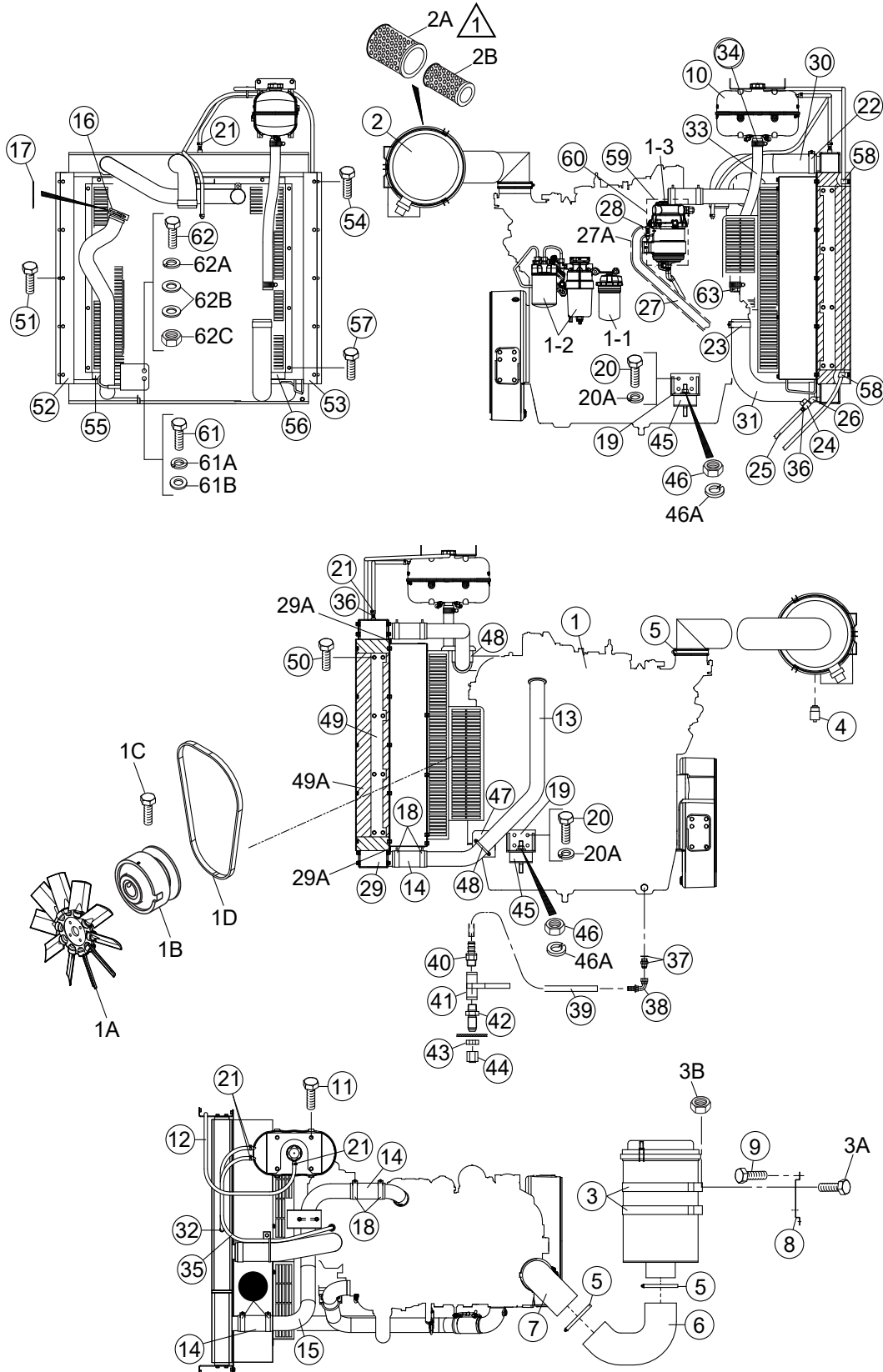


**NOTES:**  
 ITEMS 2A AND 2B ARE  
 INCLUDED WITH ITEM 2.

## ENGINE AND RADIATOR ASSY.

<u>NO.</u>	<u>PART NO.</u>	<u>PART NAME</u>	<u>QTY.</u>	<u>REMARKS</u>
1	M4924200014	ENGINE, JOHN DEERE 6068HFG06	1	
1A	RE555046	FAN, ENGINE .....	1	REPLACES P/N Y0602060030
1B	RE544293	FAN CLUTCH, 12V .....	1	REPLACES P/N Y0602061100
1C	Y0602060501	CAP SCREW	1	
1D	R529383	FAN BELT .....	1	REPLACES P/N Y0602015207
1-1	RE539279	FILTER, OIL CARTRIDGE .....	1	REPLACES P/N Y0602041293
1-2	RE556406	FUEL FILTER KIT, PRIMARY, SECONDARY ...	1	REPLACES P/N Y0602042599
1-3	RE553703	CARTRIDGE, BLOWBY FILTER.....	1	REPLACES P/N Y0602044231
2	0602046586	AIR CLEANER ASSY.....	1	INCLUDES ITEMS W/#
2A#	P537876	ELEMENT, PRIMARY .....	1	REPLACES P/N 0602046682
2B#	P537877	ELEMENT, SECONDARY	1	REPLACES P/N 0602046683
3	0602040558	AIR CLEANER BAND	2	
3A	011208025	HEX. HEAD BOLT.....	4	REPLACES P/N 0016908025
3B	Y0207008000	SELF-LOCKING NUT	4	
4	0602040650	AIR CLEANER INDICATOR.....	1	REPLACES P/N RBX002252
5	0605515202	HOSE BAND	3	
6	M5374100003	AIR CLEANER HOSE	1	
7	M5374000404	AIR CLEANER PIPE	1	
8	M4374200104	AIR CLEANER BRACKET	1	
9	011008020	HEX. HEAD BOLT.....	4	REPLACES P/N 0016908020
10	RE549081	SURGE TANK.....	1	REPLACES P/N Y0602010222
11	Y0016908015	HEX. HEAD BOLT	4	
12	Y0193602250	OVER FLOW HOSE	1	
13	M5311400103	CAC PIPE (HOT SIDE)	1	
14	Y0602015610	HOSE, CAC	3	
15	M4311400003	CAC PIPE (COLD SIDE)	1	
16	RE292067	V-BAND CLAMP .....	1	REPLACES P/N Y0602325033
17	R529509	GASKET .....	1	REPLACES P/N Y0602320206
18	0605515215	T-BOLT CLAMP	6	
19	M3303200404	ENGINE FOOT	2	
20	0012312030	HEX. HEAD BOLT.....	6	REPLACES P/N 0013612030
20A	0040012000	WASHER, LOCK	6	
21	0605515189	BAND, HOSE	5	
22	0605515236	T-BOLT CLAMP	2	
23	0605515208	T-BOLT CLAMP	2	
24	Y0605511394	MINI BALL VALVE	1	
25	0193600400	DRAIN HOSE	1	
26	Y0603307520	45° ELBOW	1	
27	Y0191701650	BLOWBY HOSE	1	
27A	Y0377801600	AEROFLEX TUBE	1	
28	0605515134	HOSE BAND	1	
29	Y0602012922	RADIATOR AND INTER-COOLER	1	
29A	M3494110204	ACOUSTIC SHEET	2	
30	M3311500503	RADIATOR HOSE, UPPER	1	
31	M3311500603	RADIATOR HOSE, LOWER	1	
32	Y0199900730	VENT HOSE	1	
33	M3311501503	SURGE TANK HOSE	1	

# ENGINE AND RADIATOR ASSY. (CONT'D.)

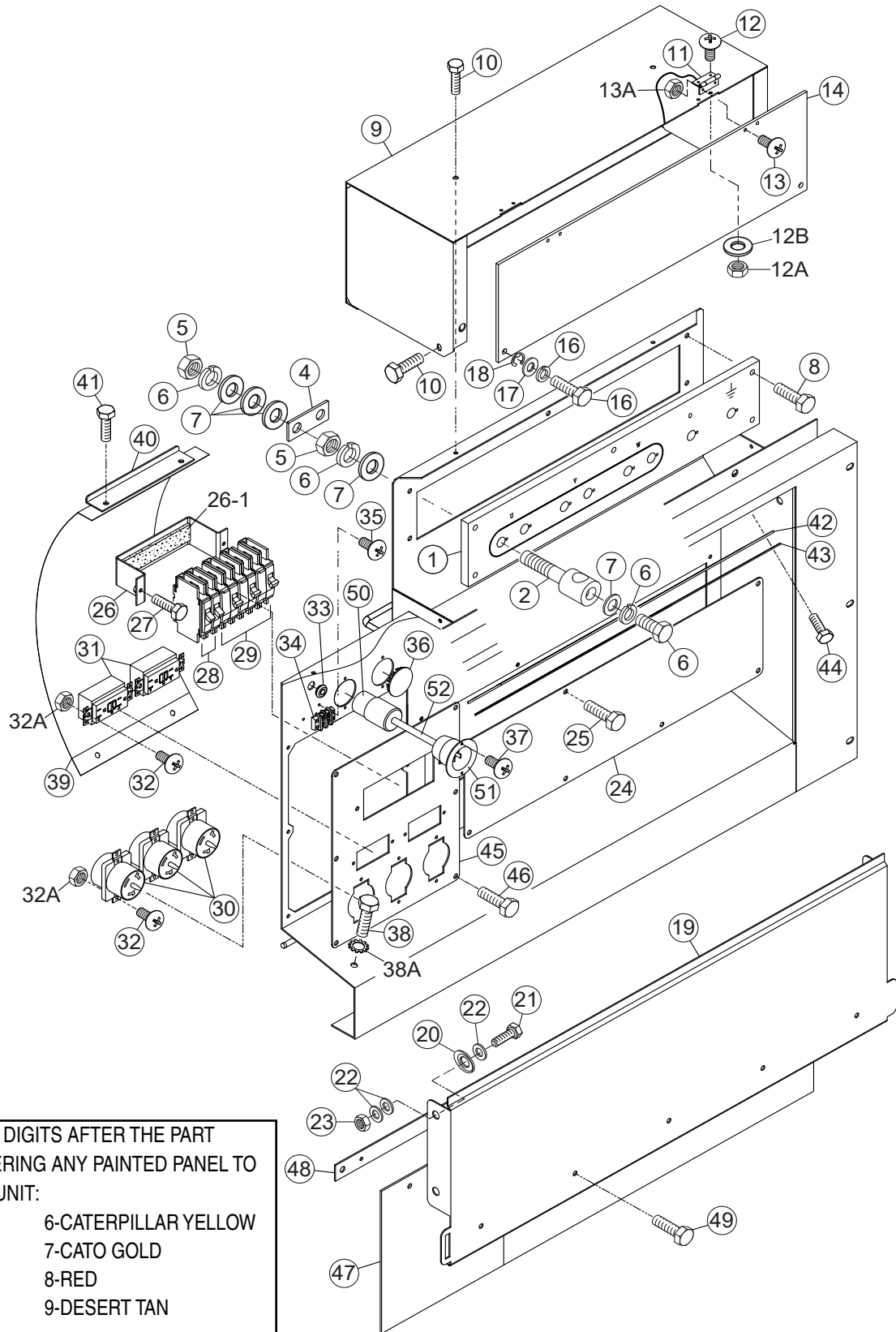


**NOTES:**  
 △ ITEMS 2A AND 2B ARE INCLUDED WITH ITEM 2.

## ENGINE AND RADIATOR ASSY. (CONT'D.)

<u>NO.</u>	<u>PART NO.</u>	<u>PART NAME</u>	<u>QTY.</u>	<u>REMARK</u>
34	0605515149	HOSE BAND	2	
35	0199901200	VENT HOSE	1	
36	Y0605512192	HOSE JOINT	2	
37	0602022580	ADAPTER	1	
38	0602022561	90° ELBOW	1	
39	Y0269201300	PUSH-LOCK HOSE	1	
40	0603306395	MALE PIPE	1	
41	0605511395	BALL VALVE	1	
42	0603306590	BULKHEAD MALE CONNECTOR	1	
43	0603300285	BULKHEAD LOCK NUT	1	
44	Y0602021070	CAP	1	
45	Y0605000620	RUBBER SUSPENSION	2	
46	0030016000	HEX. NUT	2	
46A	0040016000	WASHER, LOCK	2	
47	M3314300104	CAC PIPE BRACKET	1	
48	0602326063	U-BOLT	2	
49	M3311201004	RADIATOR BRACKET	2	
49A	M3494110104	ACOUSTIC SHEET	1	
50	Y0016908015	HEX. HEAD BOLT	16	
51	011008020	HEX. HEAD BOLT .....	10.....	REPLACES P/N 0016908020
52	M4311300003	FAN SHROUD	1	
53	M4311300103	FAN SHROUD	1	
54	011008020	HEX. HEAD BOLT .....	12.....	REPLACES P/N 0016908020
55	M3311300813	FAN GUARD	1	
56	M3311302103	FAN GUARD	1	
57	011008020	HEX. HEAD BOLT .....	17.....	REPLACES P/N 0016908020
58	0602220911	CLAMP	2	
59	Y0602044505	BLOWBY FILTER COVER (UPPER)	1	
60	Y0602044506	BLOWBY FILTER COVER (UPPER)	1	
61	Y0013616030	HEX. HEAD BOLT	1	
61A	0040016000	WASHER, LOCK	1	
61B	0041216000	WASHER, FLAT	1	
62	0012116060	HEX. HEAD BOLT	1	
62A	0040016000	WASHER, LOCK	1	
62B	0041216000	WASHER, FLAT	2	
62C	0030016000	HEX. NUT	1	
63	AT326597	ADAPTER FITTING, STRAIGHT	1	

# OUTPUT TERMINAL ASSY.



ADD THE FOLLOWING DIGITS AFTER THE PART NUMBER WHEN ORDERING ANY PAINTED PANEL TO INDICATE COLOR OF UNIT:

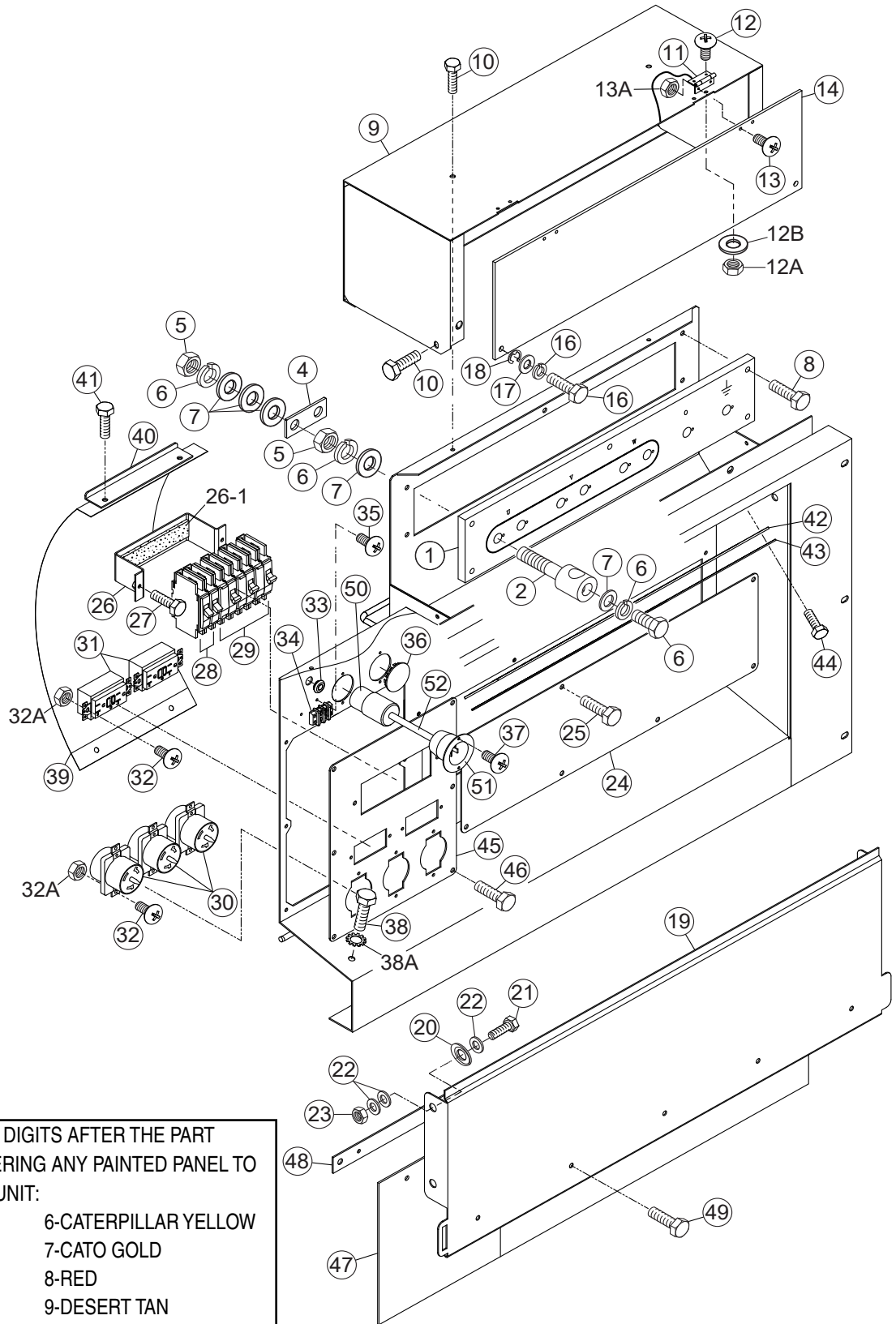
- |                 |                      |
|-----------------|----------------------|
| 1-ORANGE        | 6-CATERPILLAR YELLOW |
| 2-WHITE         | 7-CATO GOLD          |
| 3-SPECTRUM GREY | 8-RED                |
| 4-SUNBELT GREEN | 9-DESERT TAN         |
| 5-BLACK         |                      |

THE SERIAL NUMBER MAY BE REQUIRED.

## OUTPUT TERMINAL ASSY.

<u>NO.</u>	<u>PART NO.</u>	<u>PART NAME</u>	<u>QTY.</u>	<u>REMARKS</u>
1	C1231700003	TERMINAL BOARD .....	1.....	REPLACES P/N M4230700003
2	M9220100304	OUTPUT TERMINAL BOLT	8	
3	0801830804	TIE BOLT .....	8.....	REPLACES P/N M9220100404
4	3461860504	TERMINAL PLATE.....	3.....	REPLACES P/N M4233200004
5	0039316000	HEX. NUT	16	
6	0040016000	WASHER, LOCK	24	
7	0401450160	WASHER, FLAT .....	32.....	REPLACES P/N 0041416000
8	0016908040	HEX. HEAD BOLT	5	
9	M4236100403	TERMINAL COVER	1	
10	0016906015	HEX. HEAD BOLT	4	
11	0605010040	HINGE	2	
12	0027103010	MACHINE SCREW	4	
12A	0207003000	HEX NUT.....	4.....	REPLACES P/N 0030003000
12B	0041203000	WASHER, FLAT	4	
13	0027103015	MACHINE SCREW	4	
13A	0030003000	HEX. NUT	4	
14	M4236100504	OUTPUT WINDOW	1	
15	M9220100804	SET SCREW	2	
16	0040006000	WASHER, LOCK	2	
17	952404470	WASHER, FLAT .....	2.....	REPLACES P/N 0041206000
18	0080200005	E RING	2	
19	M3237100503	TERMINAL COVER	1	
20	0605050060	CONICAL LOCK WASHER	2	
21	Y0013612045	HEX. HEAD BOLT	2	
22	031112230	WASHER, FLAT .....	6.....	REPLACES P/N 0041212000
23	0030012000	HEX. NUT	2	
24	M4236400204	COVER	1	
25	0016906015	HEX. HEAD BOLT	8	
26	M4260600104	BRACKET, CIRCUIT BREAKER	1	
26-1	0222100150	RUBBER CUSHION	1	
27	Y0016906020	HEX. HEAD BOLT	2	
28	0601808803	CIRCUIT BREAKER, 1P 20A	2	
29	0601808804	CIRCUIT BREAKER, 2P 50A	3	
30	0601814014	RECEPTACLE, 50A .....	3.....	REPLACES P/N Y0601814014
31	Y0601814034	RECEPTACLE .....	2.....	REPLACES P/N 0601814024
32	0027104015	MACHINE SCREW	10	
32A	OEMAA8	SELF-LOCKING NUT .....	10.....	REPLACES P/N 0207004000
33	0601850275	GROMMET	1	
34	0601815194	TERMINAL BLOCK	1	
35	0027104015	MACHINE SCREW	2	
36	0603306775	BLIND PLUG	1	
37	0027104015	MACHINE SCREW	4	
38	0019208020	HEX. HEAD BOLT	1	
38A	0040508000	TOOTHED WASHER	1	
39	M3237100404	INSULATING COVER	1	
40	M4236400304	BRACKET	1	

# OUTPUT TERMINAL ASSY. (CONT'D.)



ADD THE FOLLOWING DIGITS AFTER THE PART NUMBER WHEN ORDERING ANY PAINTED PANEL TO INDICATE COLOR OF UNIT:

- |                 |                      |
|-----------------|----------------------|
| 1-ORANGE        | 6-CATERPILLAR YELLOW |
| 2-WHITE         | 7-CATO GOLD          |
| 3-SPECTRUM GREY | 8-RED                |
| 4-SUNBELT GREEN | 9-DESERT TAN         |
| 5-BLACK         |                      |

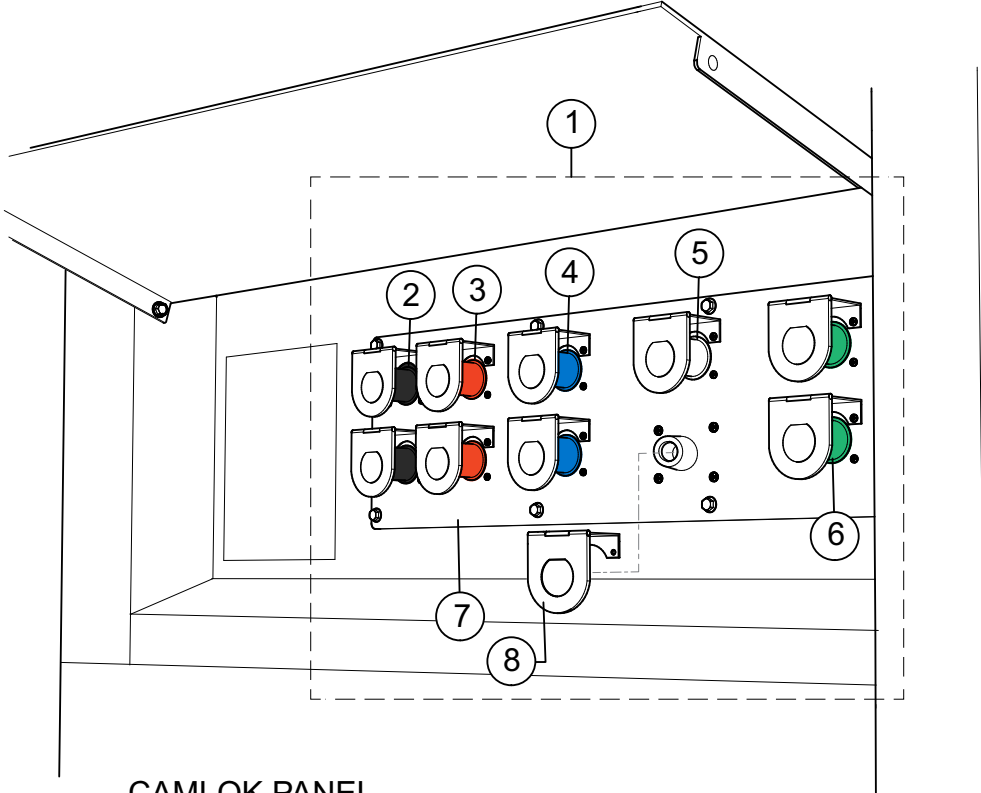
THE SERIAL NUMBER MAY BE REQUIRED.

## OUTPUT TERMINAL ASSY. (CONT'D.)

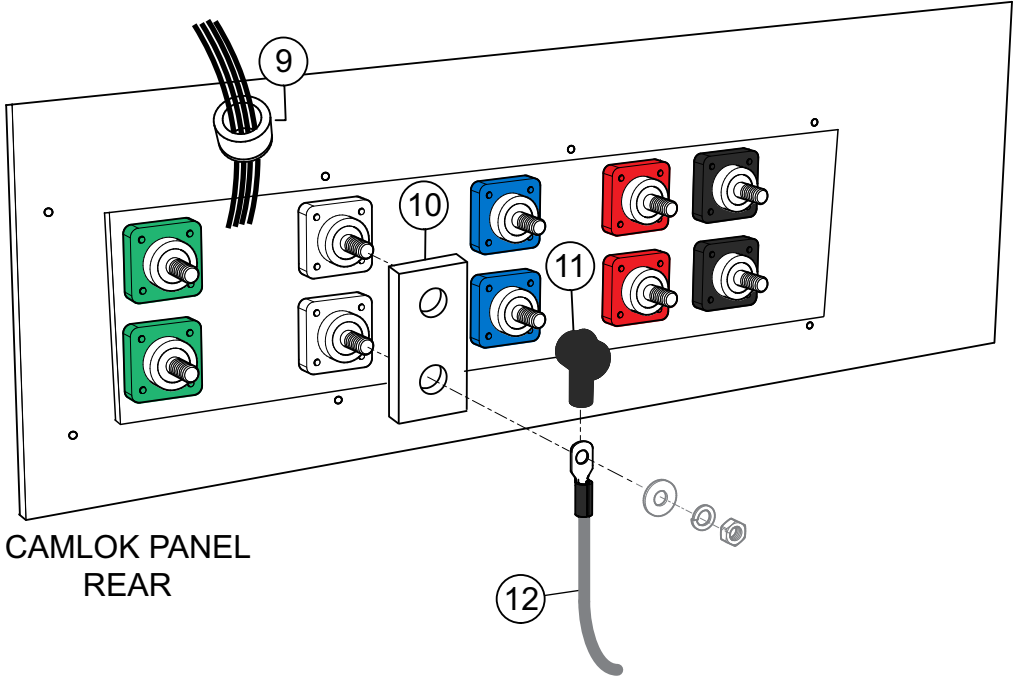
---

<u>NO.</u>	<u>PART NO.</u>	<u>PART NAME</u>	<u>QTY.</u>	<u>REMARKS</u>
41	0016906015	HEX. HEAD BOLT	2	
42	M4236400004	CABLE OUTLET COVER	1	
43	M4236400104	SUPPORTER, CABLE OUTLET COVER	1	
44	Y0016906020	HEX. HEAD BOLT	8	
45	M3454200904	RECEPTACLE BOARD	1	
46	0016906015	HEX. HEAD BOLT	6	
47	M3454700404	RUBBER SHEET	1	
48	M3454700504	RUBBER SHEET HOLDER	1	
49	011206020	HEX. HEAD BOLT .....	4	REPLACES P/N 0019206020
50	0601812527	CONNECTOR	1	
51	Y0601811177	RECEPTACLE	1	
52	Y0329101000	CABLE	1	

# CAMLOK PANEL ASSY. (OPTION)



CAMLOK PANEL FRONT

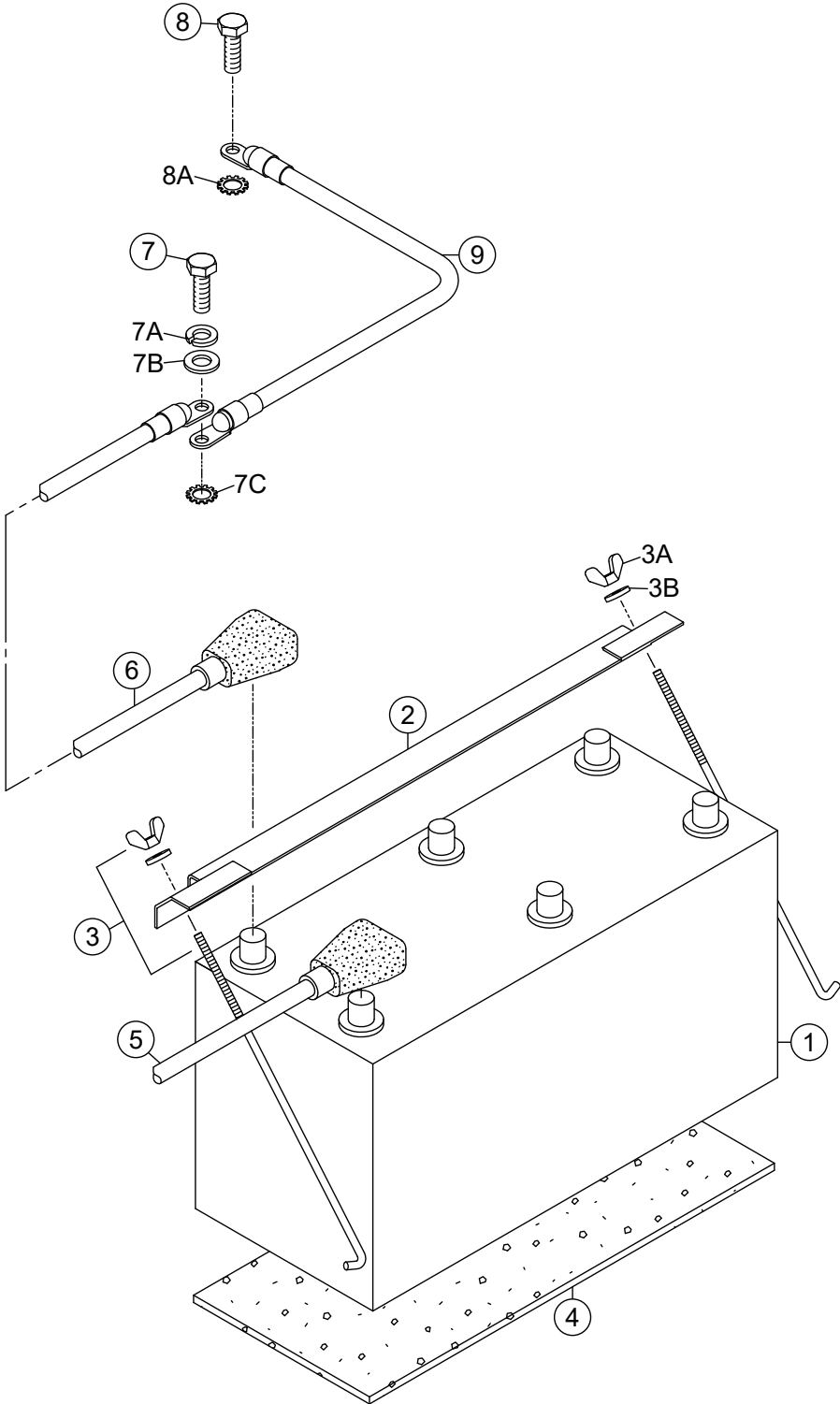


CAMLOK PANEL REAR

## CAMLOK PANEL ASSY. (OPTION)

<u>NO.</u>	<u>PART NO.</u>	<u>PART NAME</u>	<u>QTY.</u>	<u>REMARKS</u>
1	CAMLOK-2KITAL	CAMLOK 2 SETS .....	1.....	INCLUDES ITEMS W/%
2%	EE6378	RECEPT, PANEL MNT., FEMALE, BLK, 4/0	2	
3%	EE6380	RECEPT, PANEL MNT., FEMALE, RED, 4/0	2	
3%	EE6378	RECEPT, PANEL MNT., FEMALE, BLK, 4/0	2	
4%	EE6381	RECEPT, PANEL MNT., FEMALE, BLUE, 4/0	2	
5%	EE6379	RECEPT, PANEL MNT., FEMALE, WHT, 4/0	2	
6%	EE6382	RECEPT, PANEL MNT., FEMALE, GRN, 4/0	2	
7%	EE56983	PANEL, TWO CONDUCT CAMLOK, ALU.	1	
8%	CL40WTC-L-125-J	SNAP BACK PLASTIC COVER	10	
9%	EE26643	TRANSFORMER, CURRENT,600:5	1	
10	EE7342	BUS BAR, 2-INCH	5	
11%	EE59031	CAP, TERMINAL INSULATOR, BLACK	8	
12	CAMLOK-2KIT	4/0 SINGLE CONDUCTOR CABLE	1	

**BATTERY ASSY.**

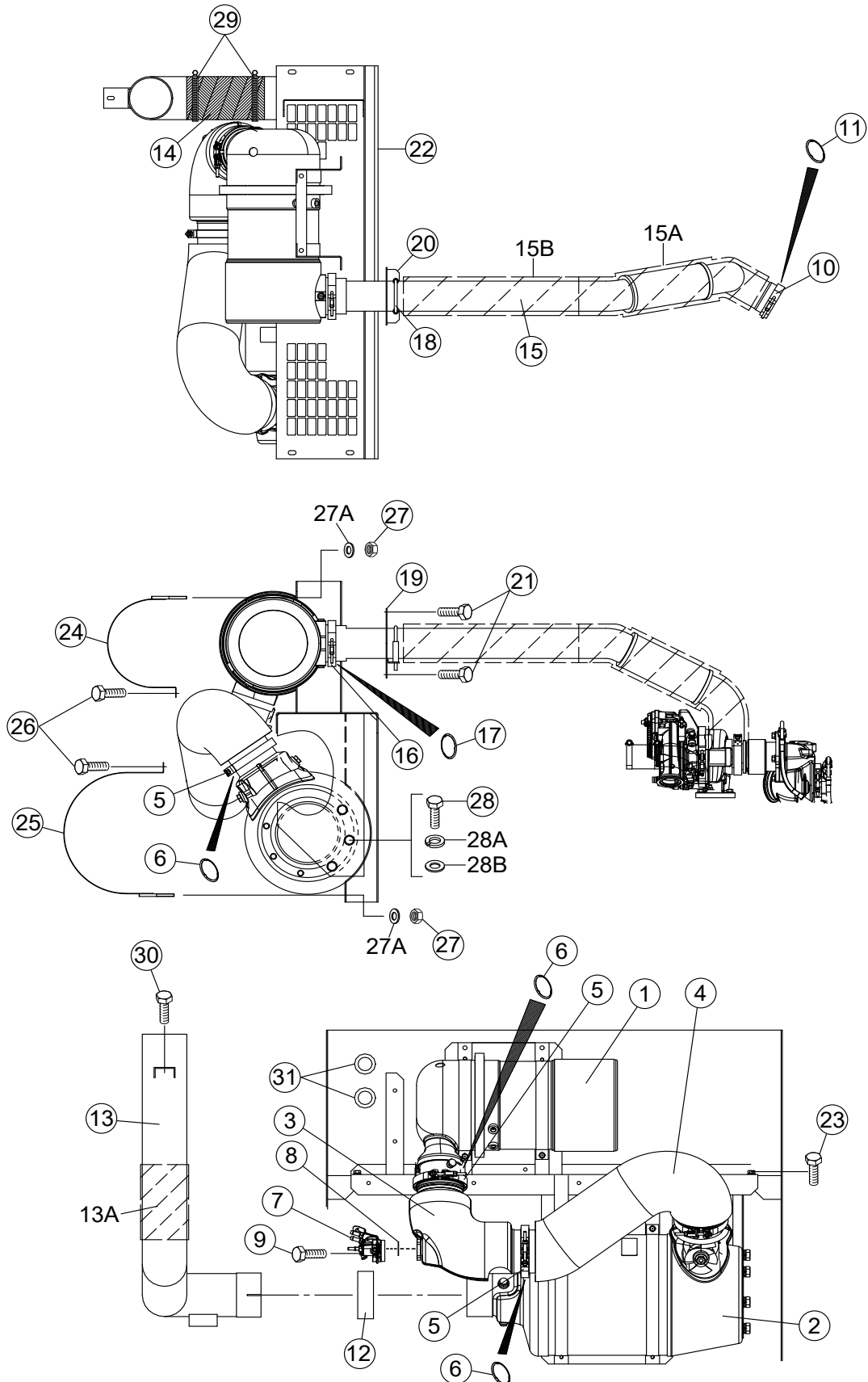


## BATTERY ASSY.

---

<u>NO.</u>	<u>PART NO.</u>	<u>PART NAME</u>	<u>QTY.</u>	<u>REMARKS</u>
1	0602220198	BATTERY	1	
2	M9103000504	BATTERY BAND	1	
3	0602220921	BATTERY BOLT SET .....	2.....	INCLUDES ITEMS W/#
3A#		WING NUT	2	
3B#		PLASTIC WASHER	2	
4	M9310500404	BATTERY SHEET .....	1.....	NO LONGER AVAILABLE
5	M5347900504	BATTERY CABLE	1	
6	M5347900604	BATTERY CABLE	1	
7	Y0013616030	HEX. HEAD BOLT	1	
7A	0040016000	WASHER, LOCK	1	
7B	0041216000	WASHER, FLAT	1	
7C	0040516000	TOOTHED WASHER	1	
8	0016910025	HEX. HEAD BOLT	1	
8A	0040510000	TOOTHED WASHER	1	
9		EARTH CABLE .....	1.....	MAKE LOCALLY

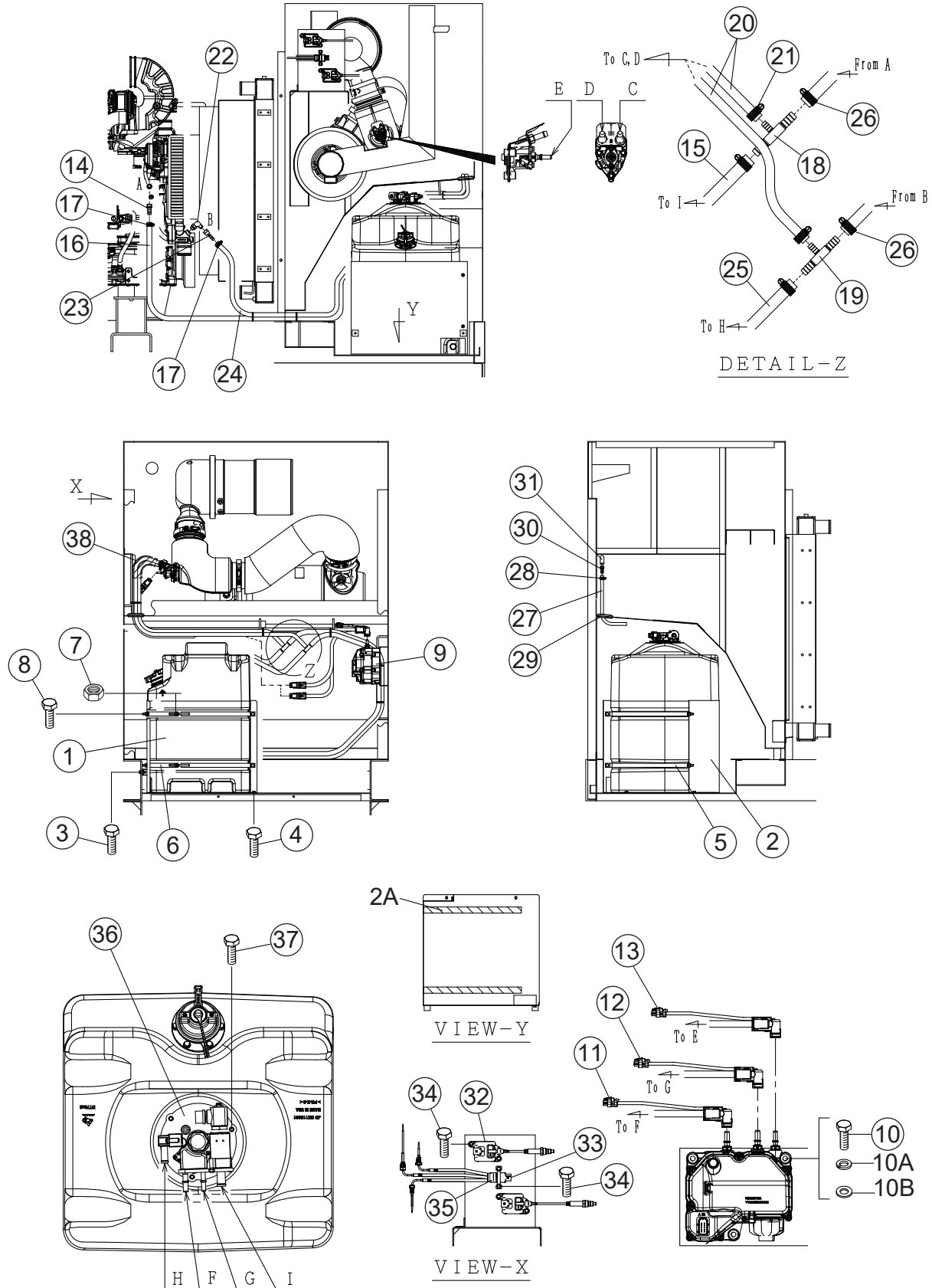
# MUFFLER ASSY.



# MUFFLER ASSY.

<u>NO.</u>	<u>PART NO.</u>	<u>PART NAME</u>	<u>QTY.</u>	<u>REMARKS</u>
1	DZ100501	DIESEL OXIDATION CATALYST .....	1.....	REPLACES P/N Y0602330106
2	DZ100467	SCR CATALYST .....	1.....	REPLACES P/N Y0602330304
3	RE565074	DECOMPOSITION TUBE .....	1.....	REPLACES P/N Y0602330403
4	RE559456	DECOMPOSITION EXTENSION TUBE .....	1.....	REPLACES P/N Y0602330404
5	RE540348	V-BAND CLAMP	3	
6	R529640	GASKET	3	
7	RE560468	DEF INJECTOR	1	
8	RE556879	GASKET	1	
9	R537624	HEX. HEAD BOLT .....	3.....	REPLACES P/N Y0602330407
10	RE304965	V-BAND CLAMP .....	1.....	REPLACES P/N Y0602325035
11	R529510	GASKET .....	1.....	REPLACES P/N Y0602320204
12	Y0602325026	PIPE BAND	1	
13	M3334100103	TAIL PIPE	1	
13A	Y0602311172	EXHAUST INSULATING MAT	1	
14	Y0400005080	EXHAUST INSULATING WRAP	1	
15	M4334000103	EXHAUST PIPE	1	
15A	Y0602311178	EXHAUST INSULATING MAT	1	
15B	Y0602311179	EXHAUST INSULATING MAT	1	
16	RE298757	V-BAND CLAMP .....	1.....	REPLACES P/N Y0602325036
17	R300529	GASKET .....	1.....	REPLACES P/N Y0602320203
18	0602326061	U-BOLT	1	
19	M4334300204	COVER, EXHAUST PIPE	1	
20	M4334300304	BRACKET, EXHAUST PIPE	1	
21	011008020	HEX. HEAD BOLT .....	4.....	REPLACES P/N 0016908020
22	M3331200302	BRACKET, DOC AND SCR	1	
23	0016910025	HEX. HEAD BOLT	4	
24	M3331400604	DPF BAND	2	
25	M3331400704	SCR BAND	2	
26	011008020	HEX. HEAD BOLT .....	4.....	REPLACES P/N 0016908020
27	020108060	U-NUT .....	4.....	REPLACES P/N 0037908000
27A	0401450080	WASHER, FLAT .....	4.....	REPLACES P/N 0041208000
28	Y0013616030	HEX. HEAD BOLT	4	
28A	0040016000	WASHER, LOCK	4	
28B	0041216000	WASHER, FLAT	4	
29	0605515202	HOSE BAND	2	
30	011008020	HEX. HEAD BOLT .....	1.....	REPALCES P/N 0016908020
31	0601851736	GROMMET	2	

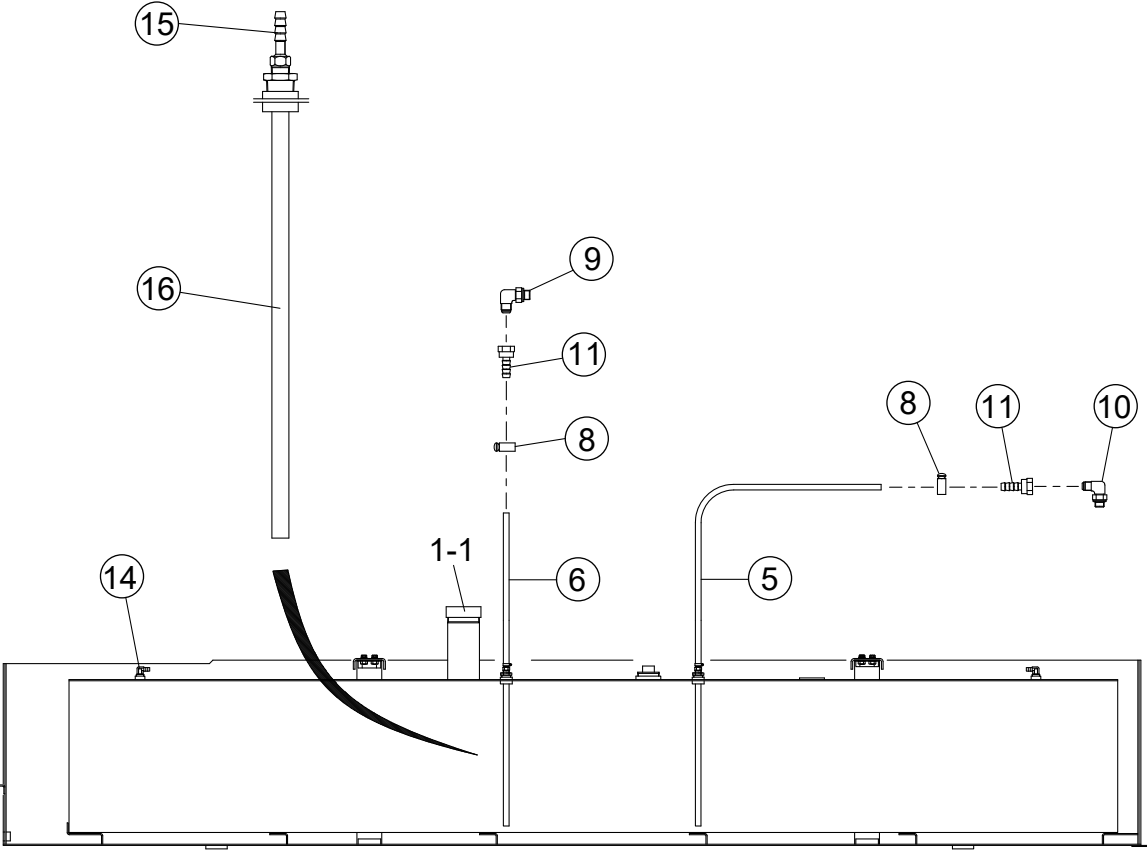
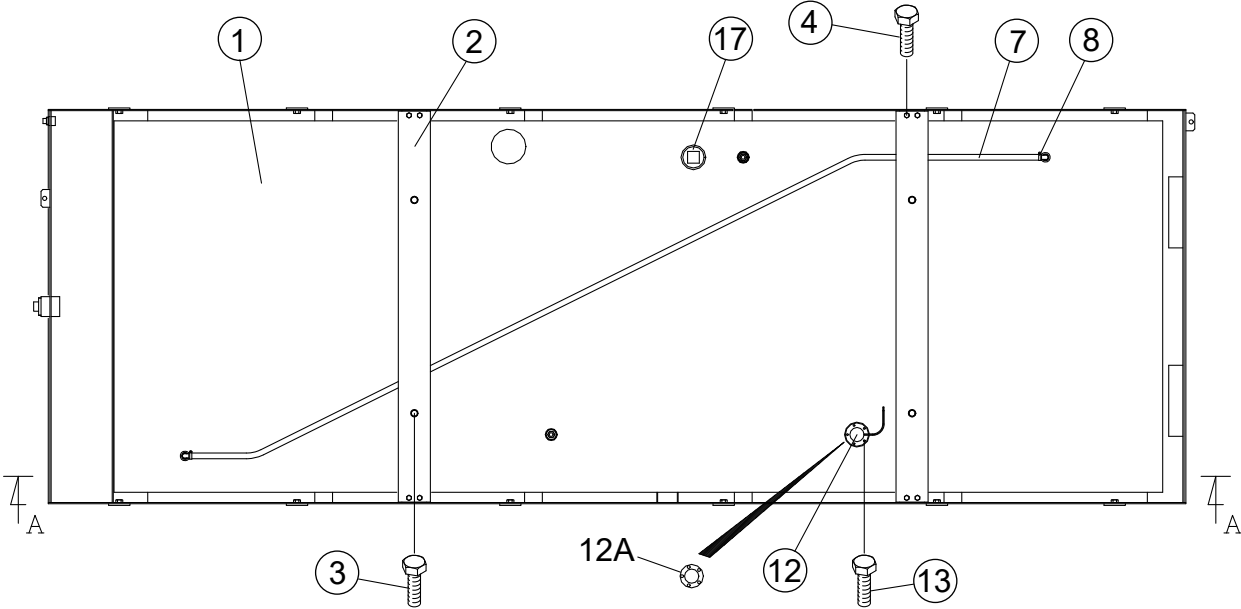
# DEF TANK ASSY.



## DEF TANK ASSY.

<u>NO.</u>	<u>PART NO.</u>	<u>PART NAME</u>	<u>QTY.</u>	<u>REMARKS</u>
1	DZ113662	DEF TANK.....	1.....	REPLACES P/N Y0605500074
2	M5331402103	BRACKET, DEF TANK	1	
2A	Y0222100480	SEAL, RUBBER	2	
3	011208025	HEX. HEAD BOLT.....	2.....	REPLACES P/N 0016908025
4	011008020	HEX. HEAD BOLT.....	2.....	REPLACES P/N 0016908020
5	M3331402804	DEF TANK BAND	2	
6	M5331402004	DEF TANK BAND	2	
7	Y0207008000	SELF-LOCKING NUT	4	
8	011008020	HEX. HEAD BOLT.....	4.....	REPLACES P/N 0016908020
9	RE552175	DEF SUPPLY MODULE	1	
10	Y0013608090	HEX. HEAD BOLT	3	
10A	0040008000	WASHER, LOCK	3	
10B	0401450080	WASHER, FLAT.....	3.....	REPLACES P/N 0041208000
11	RE560893	DEF SUCTION LINE.....	1.....	REPLACES P/N Y0602330428
12	RE560877	DEF BACKFLOW LINE.....	1.....	REPLACES P/N Y0602330429
13	RE560897	DEF PRESSURE LINE.....	1.....	REPLACES P/N Y0602330423
14	AT377287	HOSE BARB.....	1.....	REPLACES P/N Y0602022975
15	Y0269300340	COOLANT HOSE	1	
16	Y0269303200	COOLANT HOSE	1	
17	0605515198	HOSE BAND	2	
18	T317541	BLACK TEE-FITTING W/ORIFICE.....	1.....	REPLACES P/N Y0602022976
19	T296925	WHITE TEE-FITTING.....	1.....	REPLACES P/N Y0602022977
20	Y0379602350	COOLANT HOSE	2	
21	Y0605515340	HOSE BAND	4	
22	Y0602022559	90° ELBOW	1	
23	0602022980	HOSE JOINT	1	
24	Y0379703250	COOLANT HOSE	1	
25	Y0379700520	COOLANT HOSE	1	
26	Y0605515341	HOSE BAND	6	
27	Y0191301150	VENT HOSE	1	
28	Y0605515340	HOSE BAND	2	
29	0601851756	GROMMET	1	
30	H216170	DEF TANK VENT FITTING.....	1.....	REPLACES P/N Y0602330402
31	H216169	DEF TANK VENT FILTER.....	1.....	REPLACES P/N Y0602330401
32	RE575061	NOX SENSOR.....	2.....	REPLACES P/N Y0602330427
33	RE566739	SCR TEMP. SENSOR.....	1.....	REPLACES P/N Y0602330426
34	0016906015	HEX. HEAD BOLT	6	
35	RE542006	STRAP, TEMP. SENSOR.....	1.....	REPLACES P/N Y0602330205
36	DZ103804	DEF HEADER.....	1.....	REPLACES P/N Y0602330422
37	19M10399	HEX. HEAD BOLT.....	3.....	REPLACES P/N Y0602330420
38	Y0602311190	HARNESS INSULATING SLEEVE	2	

# FUEL TANK ASSY.

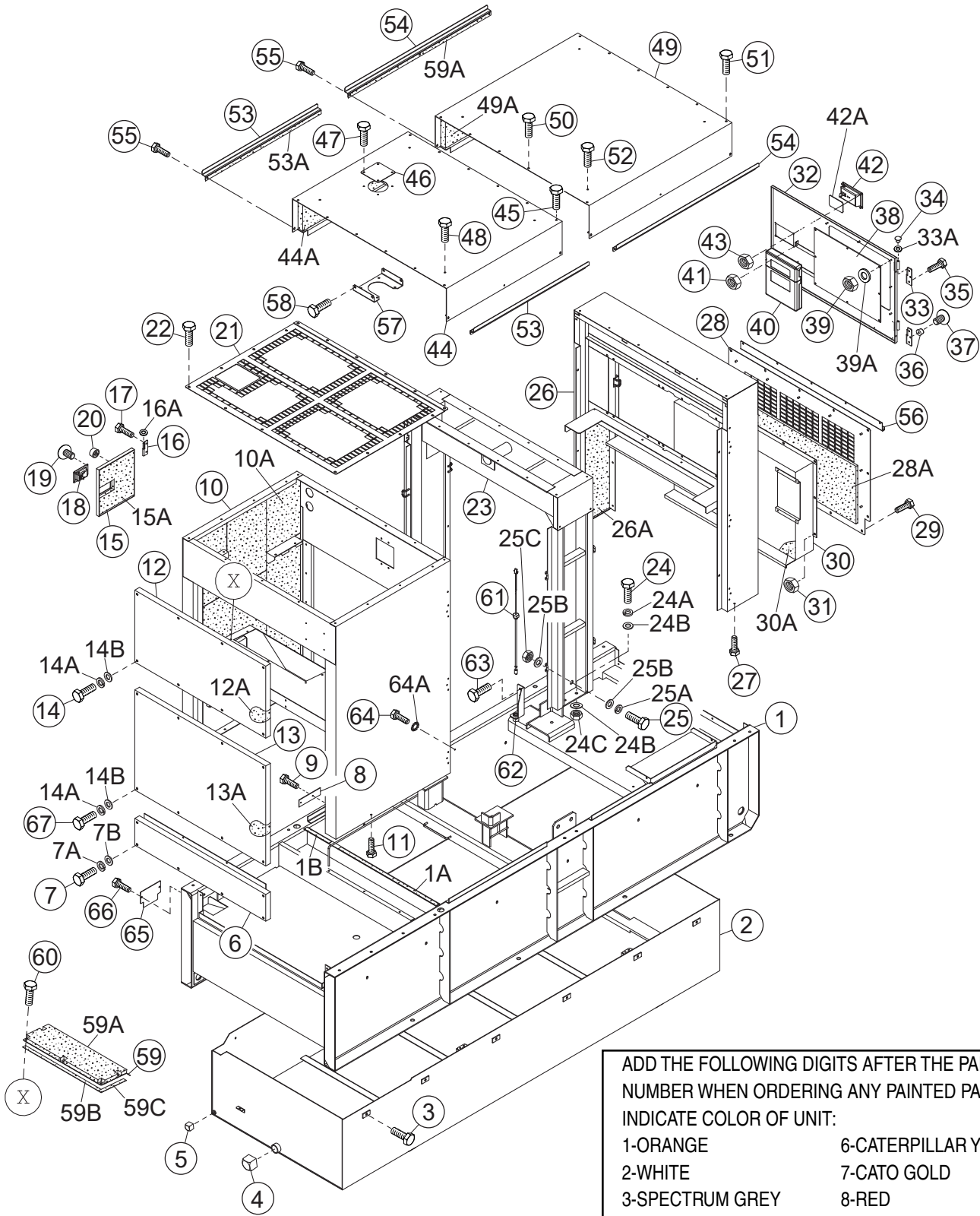


SECTION A-A

## FUEL TANK ASSY.

<u>NO.</u>	<u>PART NO.</u>	<u>PART NAME</u>	<u>QTY.</u>	<u>REMARKS</u>
1	M3364000513	FUEL TANK	1	
1-1	0605505072	CAP, FUEL TANK	1	
2	M3364300704	BRACKET, FUEL TANK	2	
3	0016910025	HEX. HEAD BOLT	4	
4	011008020	HEX. HEAD BOLT .....	8.....	REPLACES P/N 0016908020
5	Y0191300980	SUCTION HOSE	1	
6	Y0191300980	RETURN HOSE	1	
7	0191302700	VENT HOSE	1	
8	Y0605515340	HOSE BAND	6	
9	Y0602022577	90° ELBOW	1	
10	Y0602022578	90° ELBOW	1	
11	Y0602022985	HOSE JOINT	2	
12	Y0605501049	FUEL SENDER UNIT	1	
12A	Y0605516090	GASKET	1	
13	Y0605053021	HEX. HEAD BOLT	5	
14	0602022791	HOSE JOINT 1/2"	2	
15	0602022778	HOSE JOINT 3/8"	2	
16	M3364400504	PICKUP TUBE	2	
17	Y0603306729	SQUARE HEAD PIPE PLUG	1	

# ENCLOSURE 1 ASSY.



ADD THE FOLLOWING DIGITS AFTER THE PART NUMBER WHEN ORDERING ANY PAINTED PANEL TO INDICATE COLOR OF UNIT:

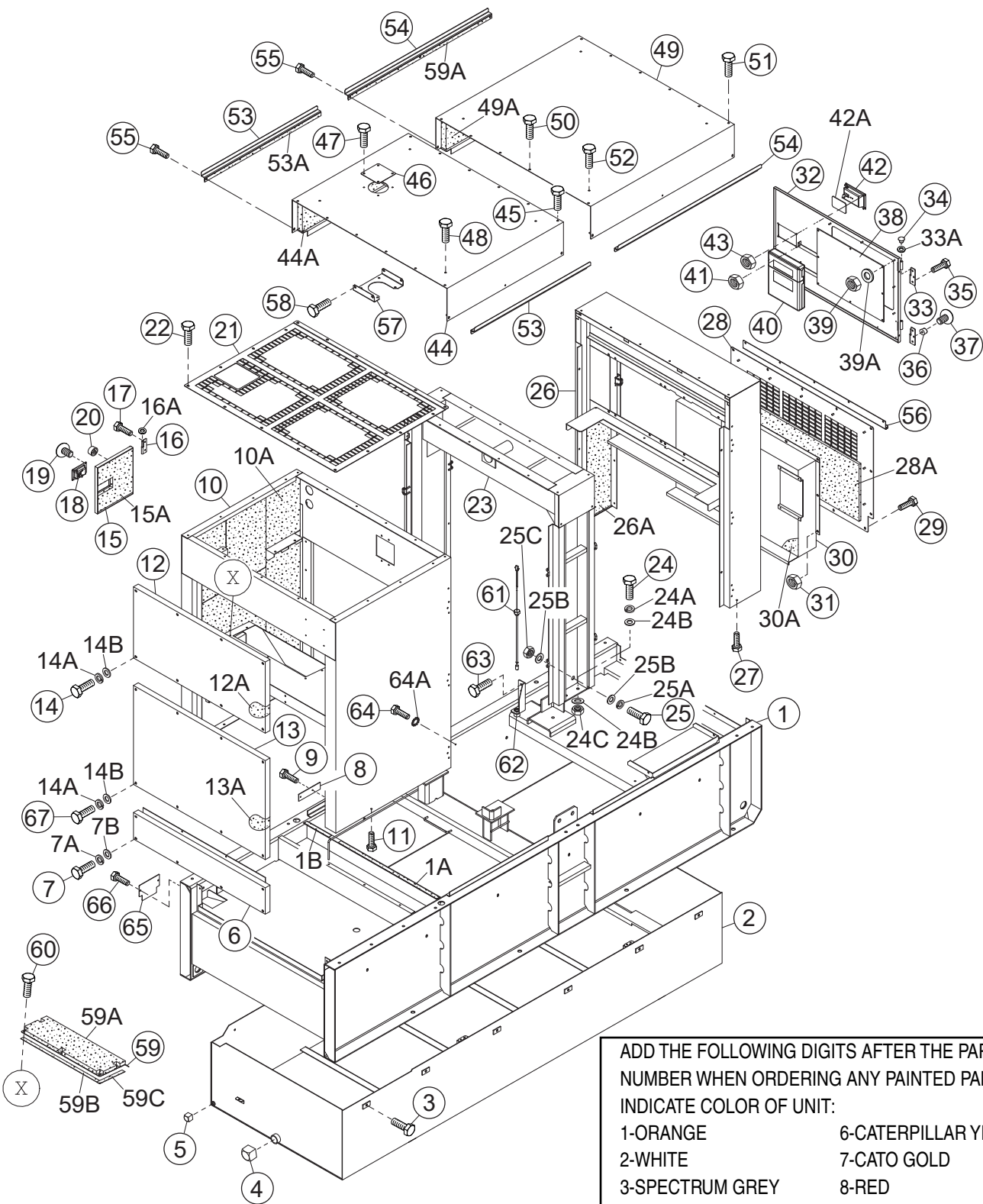
1-ORANGE	6-CATERPILLAR YELLOW
2-WHITE	7-CATO GOLD
3-SPECTRUM GREY	8-RED
4-SUNBELT GREEN	9-DESERT TAN
5-BLACK	

THE SERIAL NUMBER MAY BE REQUIRED.

# ENCLOSURE 1 ASSY.

<u>NO.</u>	<u>PART NO.</u>	<u>PART NAME</u>	<u>QTY.</u>	<u>REMARKS</u>
1	M3414001702	BASE	1	
1A	Y0229200830	SEAL, RUBBER	1	
1B	0229200210	SEAL, RUBBER	1	
2	M3364301003	ENVIRONMENTAL TANK	1	
3	0016910030	BOLT, HEX. HEAD	12	
4	0603306797	SQUARE HEAD PIPE PLUG 1-1/2"	1	
5	Y0603306793	SQUARE HEAD PIPE PLUG 1/2"	1	
6	M3414400303	BASE COVER	1	
7	0019108055	HEX. HEAD BOLT	6	
7A	0042308000	WASHER, LOCK	6	
7B	0401450080	WASHER FLAT .....	6	REPLACES P/N 0042408000
8	M2414800304	HOLE COVER	1	
9	011008020	HEX. HEAD BOLT .....	2	REPLACES P/N 0016908020
10	M3424001102	FRONT FRAME	1	
10A	M3494112003	ACOUSTIC SHEET	1	
11	0016910025	HEX. HEAD BOLT	8	
12	M3424100003	PANEL, FRONT FRAME	1	
12A	M3494113204	ACOUSTIC SHEET	1	
13	M3424100203	PANEL, FRONT FRAME	1	
13A	M3494118804	ACOUSTIC SHEET	1	
14	0019108055	HEX. HEAD BOLT	8	
14A	0042308000	WASHER, LOCK	16	
14B	0401450080	WASHER, FLAT .....	16	REPLACES P/N 0042408000
15	M5424600004	DEF SUPPLY DOOR	1	
15A	M5494108204	ACOUSTIC SHEET	1	
16	M9112100004	HINGE	2	
16A	M9118000004	WASHER	2	
17	Y0019206020	HEX. HEAD BOLT .....	3	
18	0605010230	DOOR HANDLE	1	
19	0021805015	MACHINE SCREW	4	
20	0601851613	STOPPER	1	
21	M3424201803	FRONT FRAME OVER COVER	1	
22	0019208020	HEX. HEAD BOLT	17	
23	M3434000602	CENTER FRAME	1	
24	Y0013614040	HEX. HEAD BOLT	4	
24A	030214350	WASHER, LOCK.....	4	REPLACES P/N 0040014000
24B	031114260	WASHER, FLAT .....	8	REPLACES P/N 0041214000
24C	515455840	HEX. NUT .....	4	REPLACES P/N 0030014000
25	Y0013620050	HEX. HEAD BOLT	4	
25A	030220510	WASHER, LOCK.....	4	REPLACES P/N 0040020000
25B	0041220000	WASHER, FLAT	8	
25C	0030020000	HEX. NUT	4	
26	M3444000702	REAR FRAME	1	
26A	M3494302304	ACOUSTIC SHEET	1	
27	0016910025	HEX. HEAD BOLT	4	
28	M3444300904	REAR FRAME COVER	1	

# ENCLOSURE 1 ASSY. (CONT'D.)



ADD THE FOLLOWING DIGITS AFTER THE PART NUMBER WHEN ORDERING ANY PAINTED PANEL TO INDICATE COLOR OF UNIT:

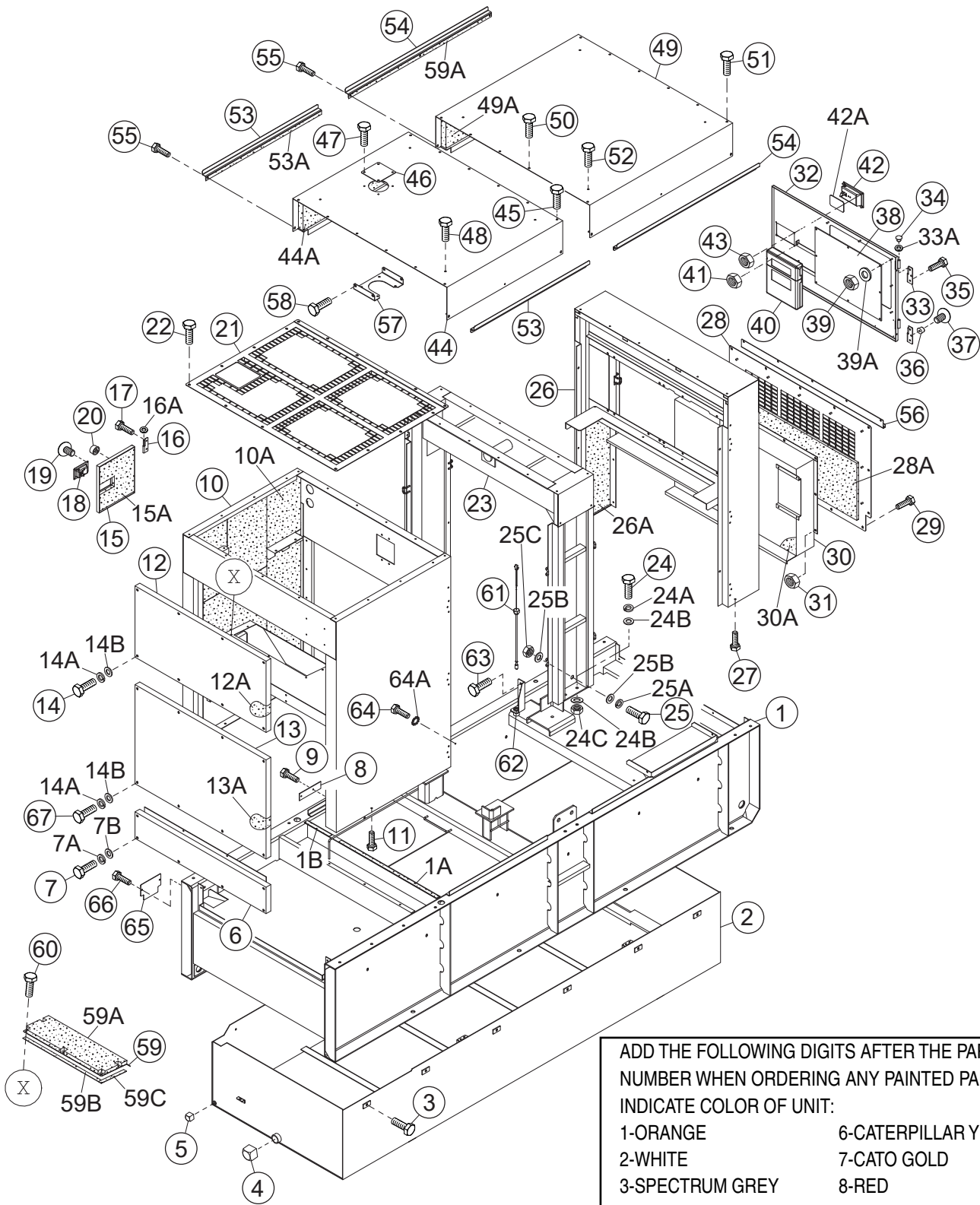
1-ORANGE	6-CATERPILLAR YELLOW
2-WHITE	7-CATO GOLD
3-SPECTRUM GREY	8-RED
4-SUNBELT GREEN	9-DESERT TAN
5-BLACK	

THE SERIAL NUMBER MAY BE REQUIRED.

## ENCLOSURE 1 ASSY. (CONT'D.)

<u>NO.</u>	<u>PART NO.</u>	<u>PART NAME</u>	<u>QTY.</u>	<u>REMARKS</u>
28A	M3494302404	ACOUSTIC SHEET	1	
29	0019208020	HEX. HEAD BOLT	14	
30	M4444300003	REAR FRAME DUCT	1	
30A	M4493303004	ACOUSTIC SHEET	1	
31	Y0207008000	SELF-LOCKING NUT	9	
32	M3444200903	REAR FRAME DOOR	1	
33	M9110100204	HINGE	2	
33A	M9116100004	WASHER	2	
34	0845031504	BLIND PLUG.....	2	REPLACES P/N M9310000004
35	0019208020	HEX. HEAD BOLT	3	
36	0601850097	RUBBER CUSHION	1	
37	0027208025	MACHINE SCREW	1	
38	M4443600004	WINDOW PLATE	1	
39	020106050	U-NUT, SELF-LOCKING.....	8	REPLACES P/N 0037906000
39A	952404470	WASHER, FLAT .....	8	REPLACES P/N 0041206000
40	0600800320	HOLDER, MANUAL	1	
41	Y0207006000	SELF-LOCKING U-NUT	4	
42	Y0605012318	DOOR HANDLE	1	
42A	C9312500004	RUBBER SEAL	1	
43	Y0207006000	SELF-LOCKING NUT	4	
44	M3464100502	ROOF PANEL	1	
44A	M3494504204	ACOUSTIC SHEET	1	
45	Y0019208035	HEX. HEAD BOLT	6	
46	M3310600004	RADIATOR CAP COVER	1	
47	0019208020	HEX. HEAD BOLT	4	
48	0019210025	HEX. HEAD BOLT	4	
49	M3464200502	ROOF PANEL	1	
49A	M3494504304	ACOUSTIC SHEET	1	
50	Y0019208035	HEX. HEAD BOLT	6	
51	0019208020	HEX. HEAD BOLT	6	
52	0019210025	HEX. HEAD BOLT	4	
53	M3464500104	GUTTER	2	
53A	Y0229200980	SEAL, RUBBER	2	
54	M3464500204	GUTTER	2	
54A	Y0229201210	SEAL, RUBBER	2	
55	0019208020	HEX. HEAD BOLT	12	

# ENCLOSURE 1 ASSY. (CONT'D.)



ADD THE FOLLOWING DIGITS AFTER THE PART NUMBER WHEN ORDERING ANY PAINTED PANEL TO INDICATE COLOR OF UNIT:

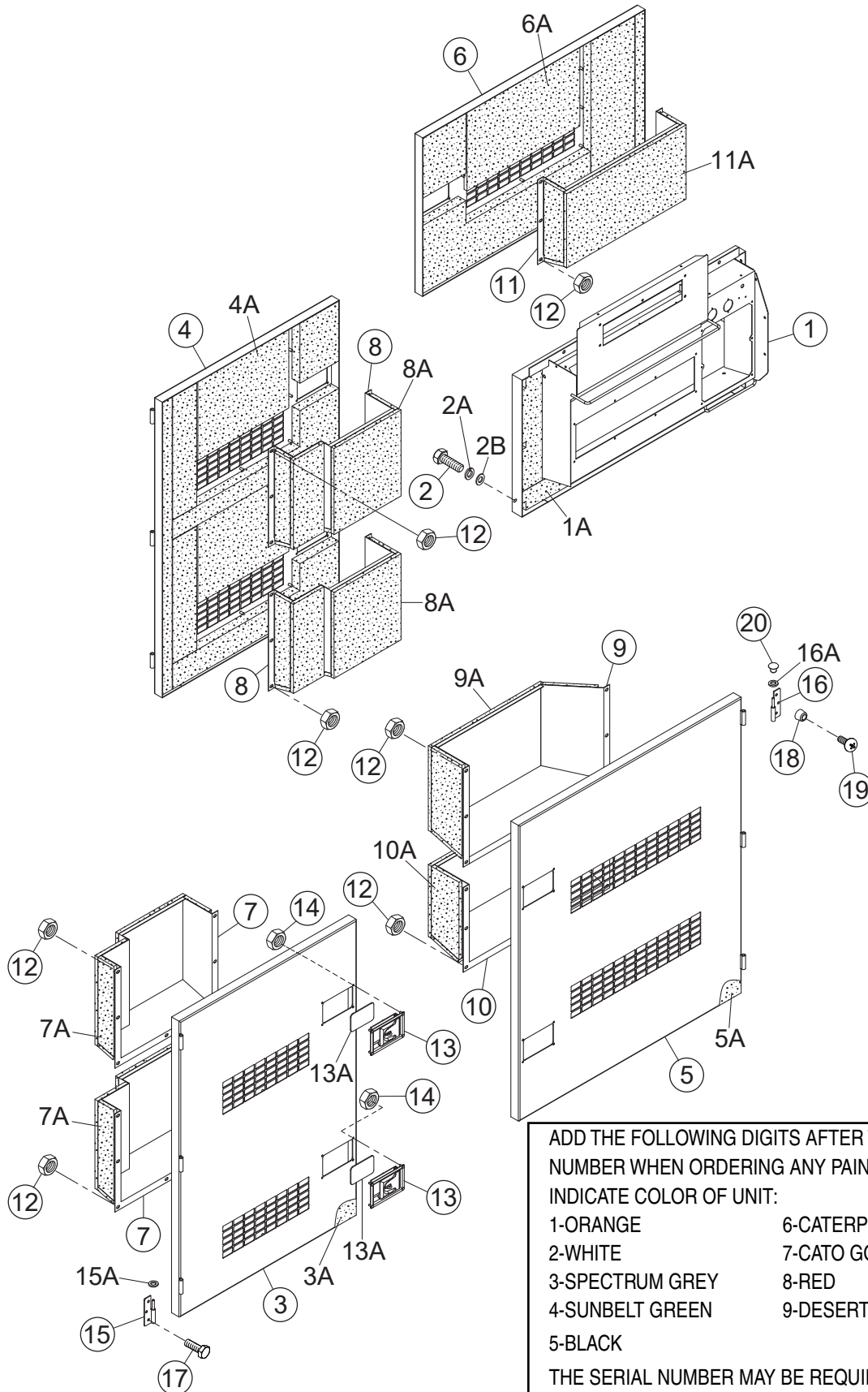
1-ORANGE	6-CATERPILLAR YELLOW
2-WHITE	7-CATO GOLD
3-SPECTRUM GREY	8-RED
4-SUNBELT GREEN	9-DESERT TAN
5-BLACK	

THE SERIAL NUMBER MAY BE REQUIRED.

## ENCLOSURE 1 ASSY. (CONT'D.)

<u>NO.</u>	<u>PART NO.</u>	<u>PART NAME</u>	<u>QTY.</u>	<u>REMARKS</u>
56	M3444800204	GUTTER	1	
57	M3317100004	BRACKET, SURGE TANK	1	
58	011008020	HEX. HEAD BOLT .....	4.....	REPLACES P/N 0016908020
59	M3424700904	DEF TANK COVER	1	
59A	M3494114004	ACOUSTIC SHEET	1	
59B	Y0229200665	SEAL, RUBBER	2	
59C	Y0229200215	SEAL, RUBBER	2	
60	011008020	HEX. HEAD BOLT .....	8.....	REPLACES P/N 0016908020
61	0605503062	FLOAT SWITCH	1	
62	M3414800504	BRACKET, FLOAT SWITCH	1	
63	011008020	HEX. HEAD BOLT .....	2.....	REPLACES P/N 0016908020
64	011008020	HEX. HEAD BOLT .....	1.....	REPLACES P/N 0016908020
64A	0040508000	TOOTHED WASHER	1	
65	M5414800104	COVER	1	
66	Y0016906020	HEX. HEAD BOLT	2	
67	Y0019108065	HEX. HEAD BOLT	8	

# ENCLOSURE 2 ASSY.



ADD THE FOLLOWING DIGITS AFTER THE PART NUMBER WHEN ORDERING ANY PAINTED PANEL TO INDICATE COLOR OF UNIT:

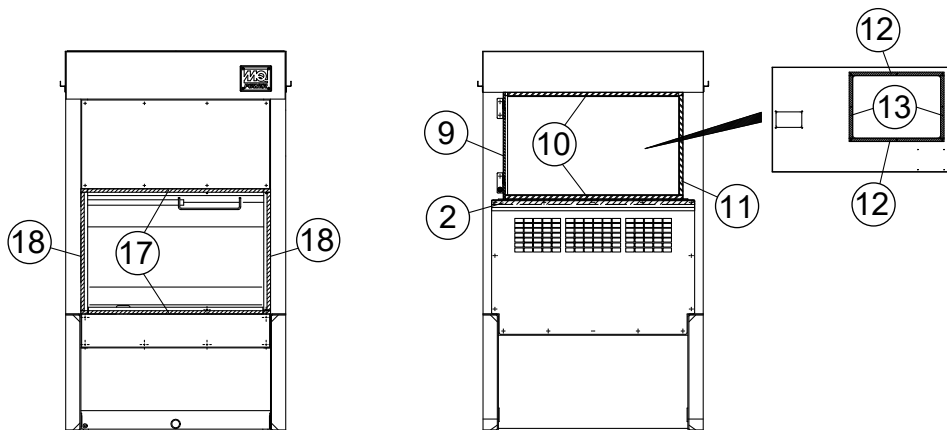
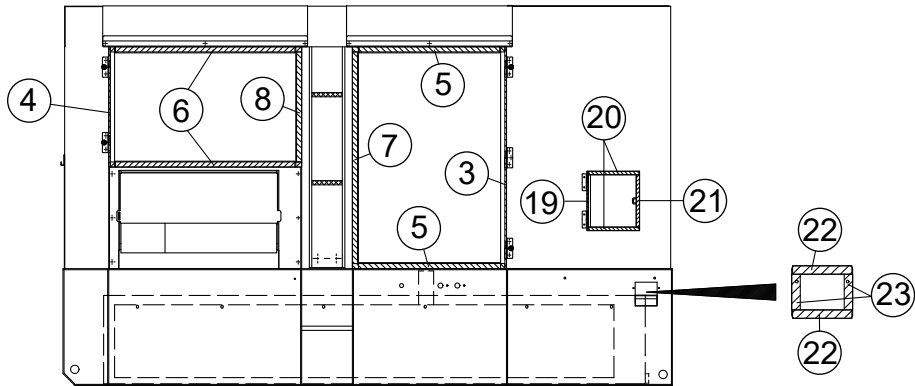
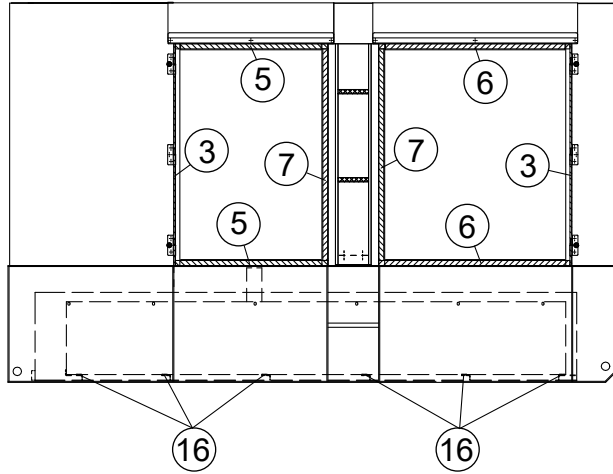
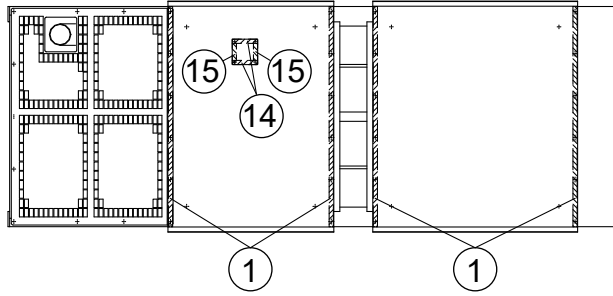
1-ORANGE	6-CATERPILLAR YELLOW
2-WHITE	7-CATO GOLD
3-SPECTRUM GREY	8-RED
4-SUNBELT GREEN	9-DESERT TAN
5-BLACK	

THE SERIAL NUMBER MAY BE REQUIRED.

## ENCLOSURE 2 ASSY.

<u>NO.</u>	<u>PART NO.</u>	<u>PART NAME</u>	<u>QTY.</u>	<u>REMARKS</u>
1	M4454200002	SPLASHER PANEL	1	
1A	M3494421504	ACOUSTIC SHEET	1	
2	0019108065	HEX. HEAD BOLT	6	
2A	0042308000	WASHER, LOCK	6	
2B	0401450080	WASHER, FLAT .....	6.....	REPLACES P/N 0042408000
3	M3454002503	SIDE DOOR	1	
3A	M3494420604	ACOUSTIC SHEET	1	
4	M3454002603	SIDE DOOR	1	
4A	M3494420704	ACOUSTIC SHEET	1	
5	M3454002703	SIDE DOOR	1	
5A	M3494420804	ACOUSTIC SHEET	1	
6	M3454002803	SIDE DOOR	1	
6A	M3494420904	ACOUSTIC SHEET	1	
7	M3454301504	DUCT	2	
7A	M3494421004	ACOUSTIC SHEET	2	
8	M3454301604	DUCT	2	
8A	M3494421104	ACOUSTIC SHEET	2	
9	M3454301704	DUCT	1	
9A	M3494421204	ACOUSTIC SHEET	1	
10	M5454301004	DUCT	1	
10A	M3494421304	ACOUSTIC SHEET	1	
11	M3454301804	DUCT	1	
11A	M3494421404	ACOUSTIC SHEET	1	
12	Y0207008000	SELF-LOCKING NUT	49	
13	Y0605012318	DOOR HANDLE	7	
13A	C9312500004	SEAL, RUBBER	7	
14	Y0207006000	SELF-LOCKING NUT	28	
15	M9110100804	HINGE	5	
15A	M9116100004	WASHER	5	
16	M9110100904	HINGE	6	
16A	M9116100004	WASHER	6	
17	0019208020	HEX. HEAD BOLT	25	
18	0601850097	STOPPER	8	
19	0027208025	MACHINE SCREW	8	
20	0845031504	BLIND PLUG.....	11.....	REPLACES P/N M9310000004

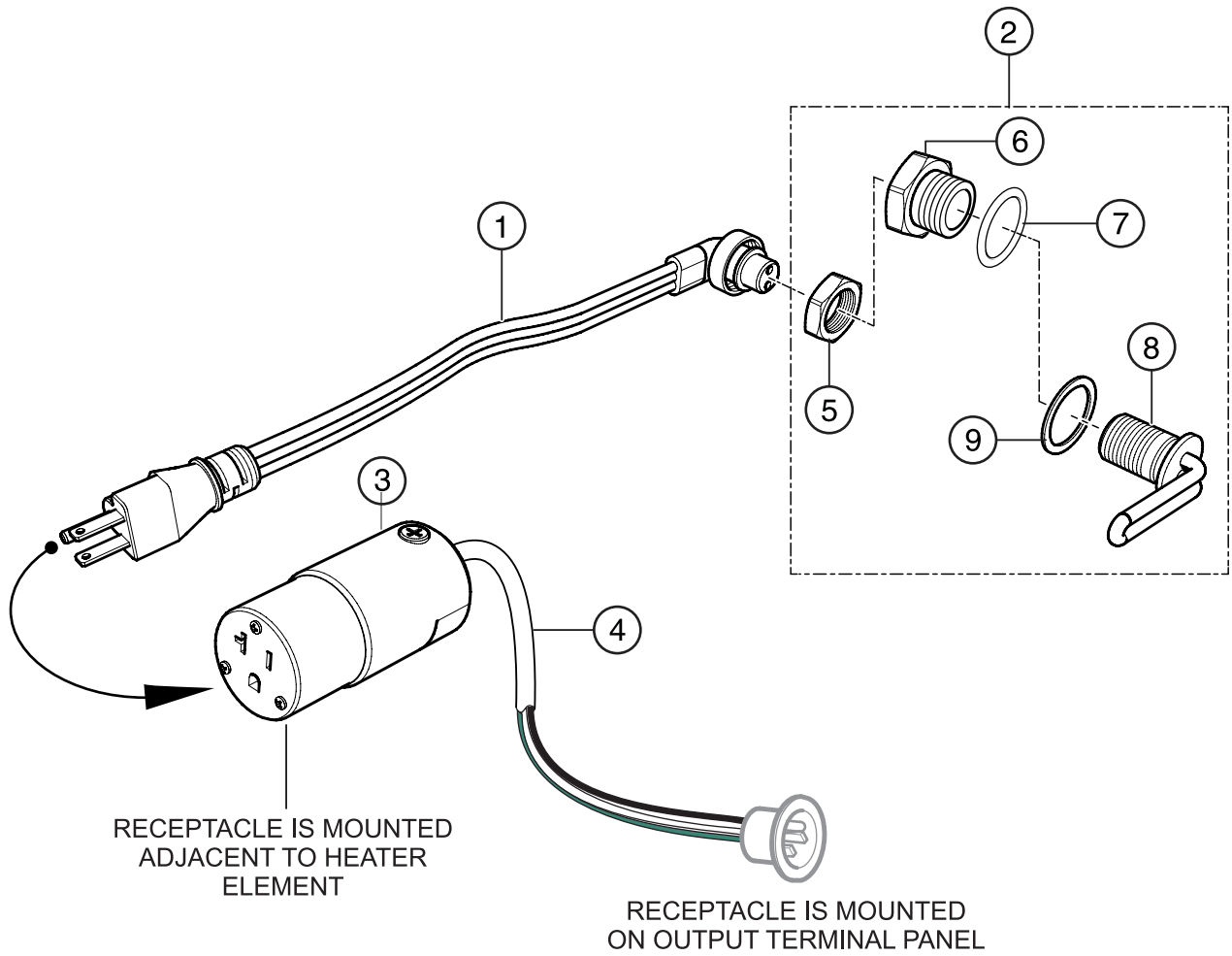
# RUBBER SEALS ASSY.



## RUBBER SEALS ASSY.

<u>NO.</u>	<u>PART NO.</u>	<u>PART NAME</u>	<u>QTY.</u>	<u>REMARKS</u>
1	0229201300	SEAL, RUBBER	4	
2	0229201200	SEAL, RUBBER	1	
3	0228901310	SEAL, RUBBER	3	
4	0228900710	SEAL, RUBBER	1	
5	0228900900	SEAL, RUBBER	4	
6	0228901130	SEAL, RUBBER	4	
7	0228901250	SEAL, RUBBER	3	
8	0228900650	SEAL, RUBBER	1	
9	0229400630	SEAL, RUBBER	1	
10	0228801050	SEAL, RUBBER	2	
11	0228800590	SEAL, RUBBER	1	
12	Y0228100560	SEAL, RUBBER	2	
13	Y0228100370	SEAL, RUBBER	2	
14	Y0229200145	SEAL, RUBBER	2	
15	Y0229200100	SEAL, RUBBER	2	
16	Y0222101100	SEAL, RUBBER	6	
17	Y0228801120	SEAL, RUBBER	2	
18	Y0228800700	SEAL, RUBBER	2	
19	Y0229400350	SEAL, RUBBER	1	
20	Y0228800300	SEAL, RUBBER	2	
21	Y0228800310	SEAL, RUBBER	1	
22	Y0229200175	SEAL, RUBBER	2	
23	Y0229200105	SEAL, RUBBER	2	

# WATER HEATING ELEMENT ASSY. (OPTION)

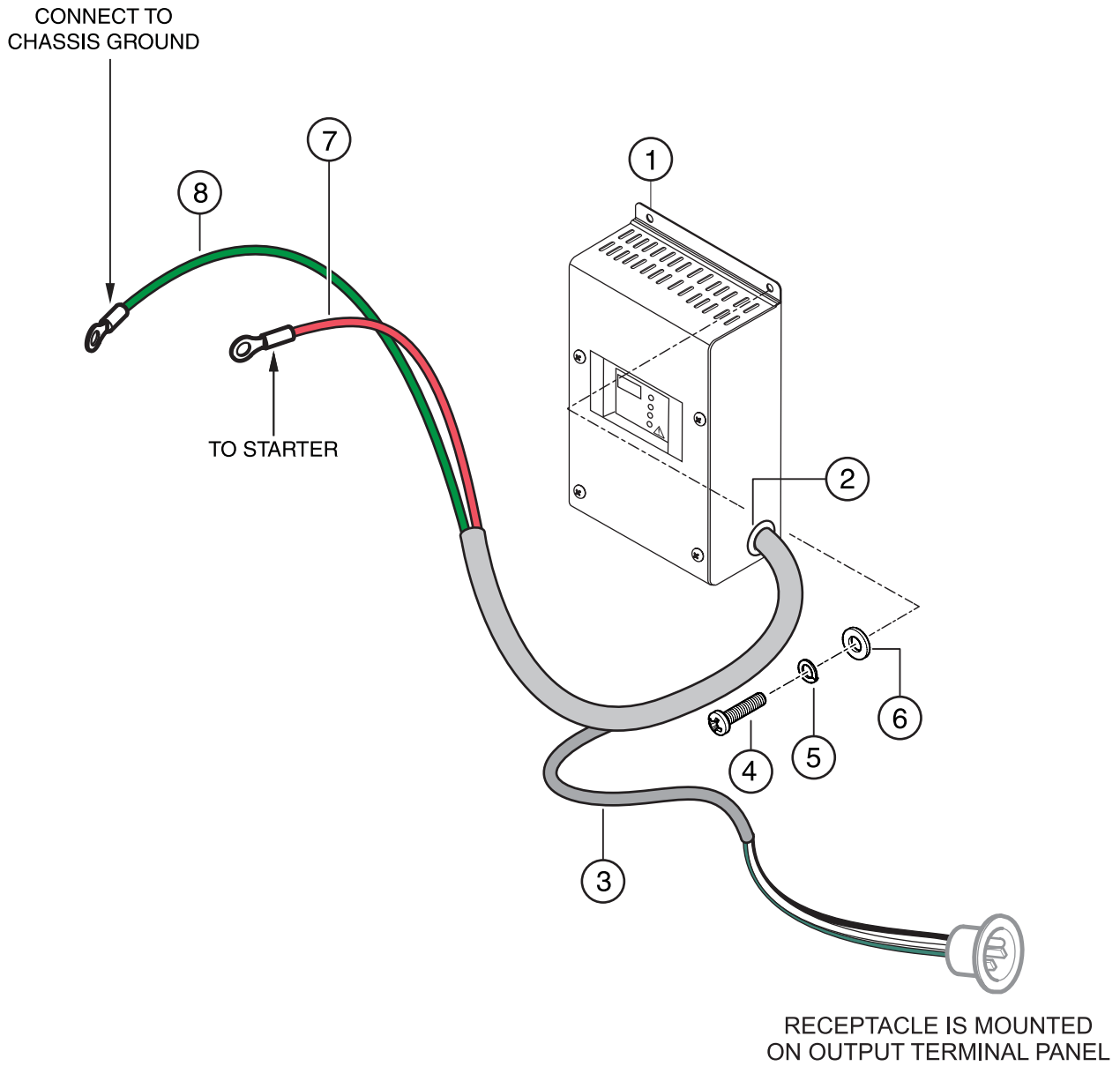


## **WATER HEATING ELEMENT ASSY. (OPTION)**

---

<u>NO.</u>	<u>PART NO.</u>	<u>PART NAME</u>	<u>QTY.</u>	<u>REMARKS</u>
1	AR50411	CORD ASSY., 110 VOLTS	1	
2	EE54798	KIT, 110 VOLT, COOLANT HEATER.....	1.....	INCLUDES ITEMS W/\$
3	HBL5369C	CONNECTOR, 20 AMP, 125V	1	
4	EE56557	CORD, CAROL 3/C 14 AWG .....	10.....	1PC=1FT
5\$		NUT, CLAMPING	1	
6\$		ADAPTER	1	
7\$		O-RING	1	
8\$		HEATER ELEMENT, 1000 WATT	1	
9\$		GASKET	1	

# BATTERY CHARGER ASSY. (OPTION)

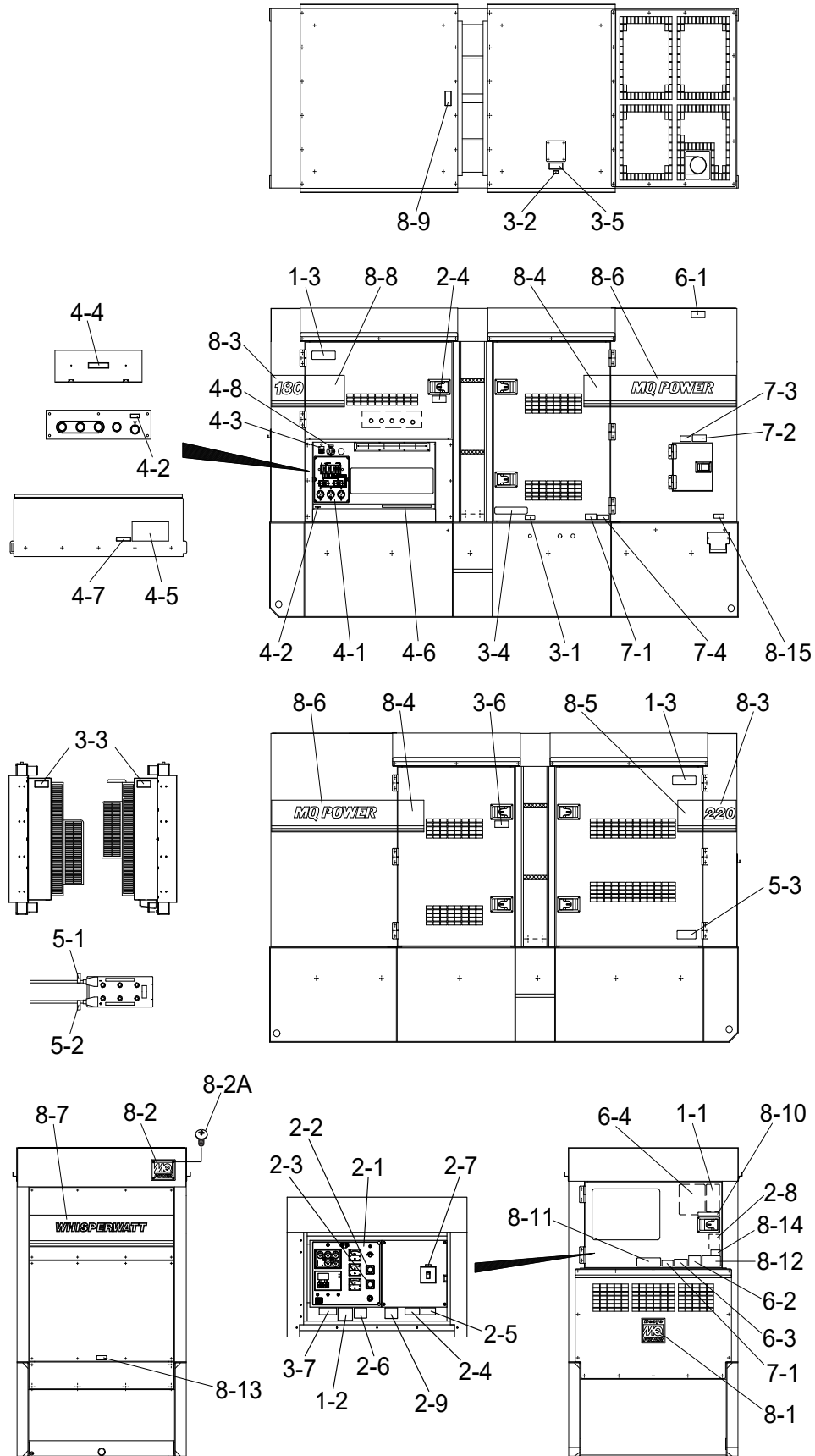


## **BATTERY CHARGER ASSY. (OPTION)**

---

<u>NO.</u>	<u>PART NO.</u>	<u>PART NAME</u>	<u>QTY.</u>	<u>REMARKS</u>
1	EE57370	CHARGER BATTERY, 10 AMP 12/24V	1	
2		GROMMENT, 7/8" HOLE SIZE .....	1.....	OBTAIN LOCALLY
3	EE56557	CORD, 3-CONDUCTOR, 14 AWG .....	6 FT.....	1PC=1FT
4		SCREW, M4X10 .....	4.....	OBTAIN LOCALLY
5		WASHER, LOCK M4.....	4.....	OBTAIN LOCALLY
6		WASHER, FLAT M4.....	4.....	OBTAIN LOCALLY
7		WIRE, 16GA, RED .....	9 FT.....	OBTAIN LOCALLY
8		WIRE, 16GA, GREEN.....	9 FT.....	OBTAIN LOCALLY

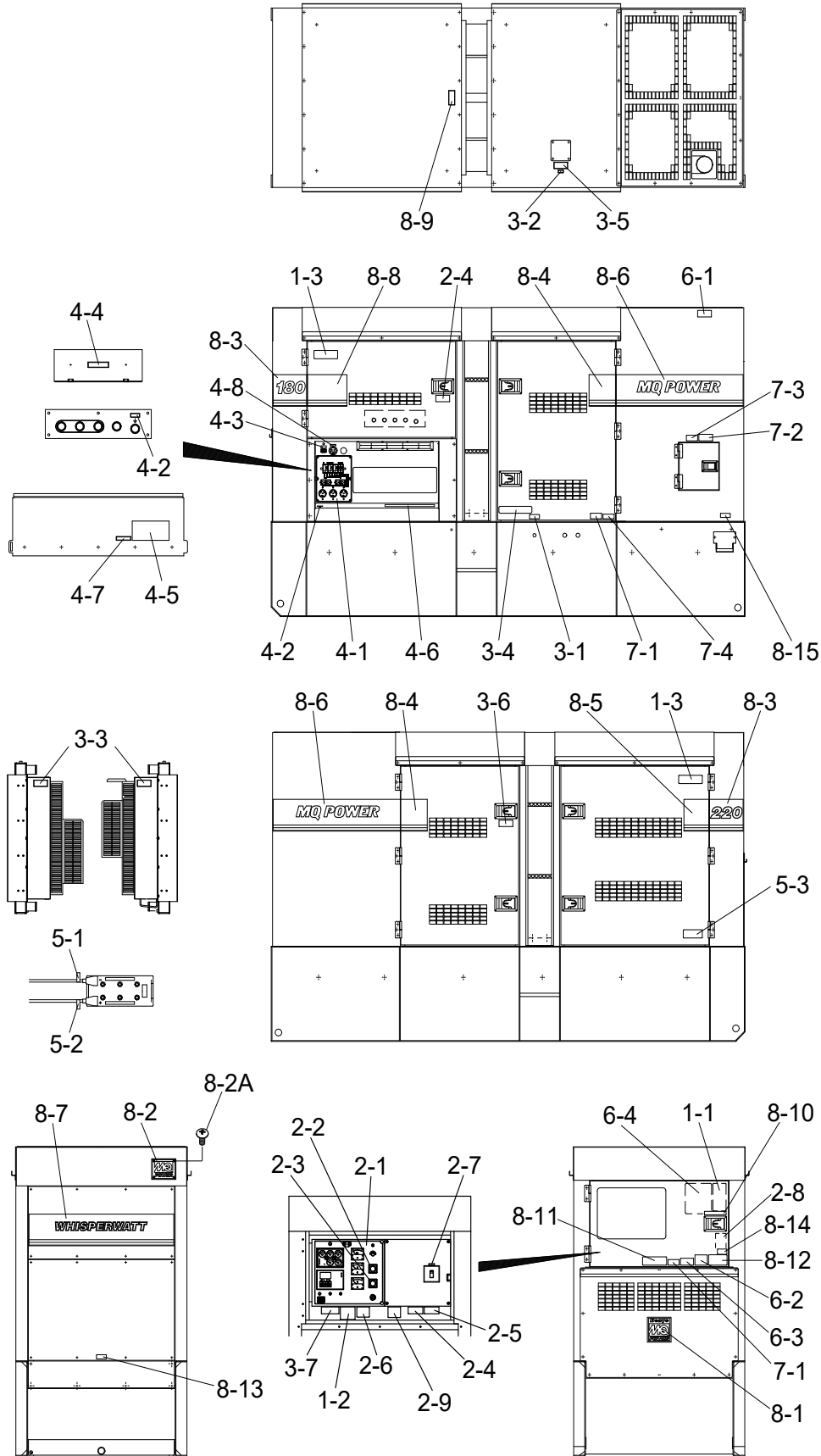
# NAMEPLATE AND DECALS ASSY.



## NAMEPLATE AND DECALS ASSY.

NO.	PART NO.	PART NAME	QTY.	REMARKS
1-1	M3551000103	DECAL; OPERATING PRECAUTIONS.....	1.....	M35100010
1-2	M9520100304	DECAL; SAFETY INSTRUCTIONS .....	1.....	M92010030
1-3	M9520100603	DECAL; CAUTION .....	2.....	M92010060
<b>CONTROL PANEL AND BOX GROUP</b>				
2-1	M4551000002	DECAL; CONTROL PANEL .....	1.....	M45100000
2-2	M9520000104	PLATE; AMMETER CHANGE-OVER SW.....	1.....	M92000010
2-3	M9520000204	PLATE; VOLTMETER CHANGE-OVER SW.....	1.....	M92000020
2-4	M9520100004	DECAL; WARNING: ELEC. SHOCK HAZARD...2.....	.....	M92010000
2-5	M9520100704	DECAL; WARNING: ARC FLASH .....	1.....	M92010070
2-6	M9520200404	DECAL; O.C.R. RESET .....	1.....	M92020040A
2-7	M9522000504	DECAL; CIRCUIT BREAKER .....	1.....	M92200050
2-8	M9520200303	DECAL; SETTING FOR OUTPUT VOLTAGE ....	1.....	M92020030
2-9	M9520200504	DECAL; SETTING FOR OUTPUT VOLTAGE(S)1.....	.....	M92020050
<b>ENGINE AND RADIATOR GROUP</b>				
3-1	M9500000004	DECAL; OIL DRAIN .....	1.....	M90000000
3-2	M9500100004	DECAL; WATER .....	1.....	M90010000
3-3	M9503000004	DECAL; WARNING: ROTATING PART .....	2.....	M90300000
3-4	M9503000103	DECAL; WATER - OIL CHECK .....	1.....	M90300010
3-5	M9503100004	DECAL; WARNING: HOT COOLANT .....	1.....	M90310000
3-6	M9510100004	DECAL; CAUTION: HOT PARTS .....	1.....	M91010000
3-7	M9501300004	DECAL; CAUTION: BATTERY CABLES .....	1.....	M90130000
<b>OUTPUT TERMINAL GROUP</b>				
4-1	M35510020031	DECAL; AUXILIARY OUTPUT .....	1.....	REPLACES P/N M3551002003 M35100200
4-2	M9520000004	DECAL; GROUND .....	2.....	M92000000
4-3	M9520000504	DECAL; START CONTACT .....	1.....	M92000050
4-4	M9520000704	DECAL; 3-PHASE OUTPUT TERMINAL .....	1.....	M92000070
4-5	M9520100404	DECAL; DANGER: HIGH VOLTAGE .....	1.....	M92010040
4-6	M9520100503	DECAL; WARNING .....	1.....	M92010050
4-7	M9521200604	DECAL; BONDED NEUTRAL .....	1.....	M92120060
4-8	M9522000004	DECAL; WATER HEATER.....	1	
<b>BATTERY GROUP</b>				
5-1	M9500300004	DECAL; - .....	1.....	M90030000
5-2	M9500300104	DECAL; + .....	1.....	M90030010
5-3	M9510100403	DECAL; CAUTION .....	1.....	M91010040A
<b>MUFFLER GROUP</b>				
6-1	M9503200004	DECAL; WARNING: ENGINE EXHAUST.....	1.....	M90320000
6-2	M9503200104	DECAL; DANGER: EXHAUST GAS (INDOOR).1.....	.....	M90320010
6-3	920214100	DECAL; WARNING: START FIRES .....	1.....	M9504200004 M90420000
6-4	M2551000703	DECAL; EX. FILTER CLEAN PROCEDURES ...	1.....	M25100070

# NAMEPLATE AND DECALS ASSY. (CONT'D.)



## NAMEPLATE AND DECALS ASSY. (CONT'D.)

<u>NO.</u>	<u>PART NO.</u>	<u>PART NAME</u>	<u>QTY.</u>	<u>REMARKS</u>
<b>FUEL TANK GROUP</b>				
7-1	M9501500004	DECAL; DIESEL FUEL .....	2.....	M90150000
7-2	M9541100004	DECAL; CAUTION: EXHAUST FLUID ONLY .....	1.....	M94110000
7-3	M9501500104	DECAL; DIESEL EXHAUST FLUID .....	1.....	M90150010
7-4	M9504500004	DECAL; REFILL DEF AS WELL .....	1.....	M90450000
<b>ENCLOSURE GROUP</b>				
8-1	M9511200204	DECAL; MQ .....	1.....	M91120020
8-2	0600500092	EMBLEM	1	
8-2A	0021106015	SCREW, MACHINE	4	
8-3	M4561100004	STRIPE	2	
8-4	M5560101604	STRIPE	2	
8-5	M3561101004	STRIPE	1	
8-6	M3561101103	STRIPE	2	
8-7	M3561101303	STRIPE	1	
8-8	M3561101204	STRIPE	1	
8-9	M5550000004	DECAL; CAUTION .....	1.....	M55000000
8-10	M9510000104	DECAL; DOCUMENT BOX LOCATED .....	1.....	M91000010
8-11	M9511200103	DECAL; TIER 4F .....	1.....	M91120010
8-12	M9511100004	DECAL; WARNING ENVIRONMENTAL.....	1.....	M91110000
8-13	M9510000004	DECAL; FLUID DRAIN.....	1.....	M91000000
8-14	M9504200104	DECAL; WARNING PROPOSITION 65 .....	1.....	M90420010
8-15	M9507200104	DECAL; DEF DRAIN.....	1.....	M90720010