



INSTALLATION AND OPERATION MANUAL

EPA CERTIFIED
WOOD BURNING
STOVE

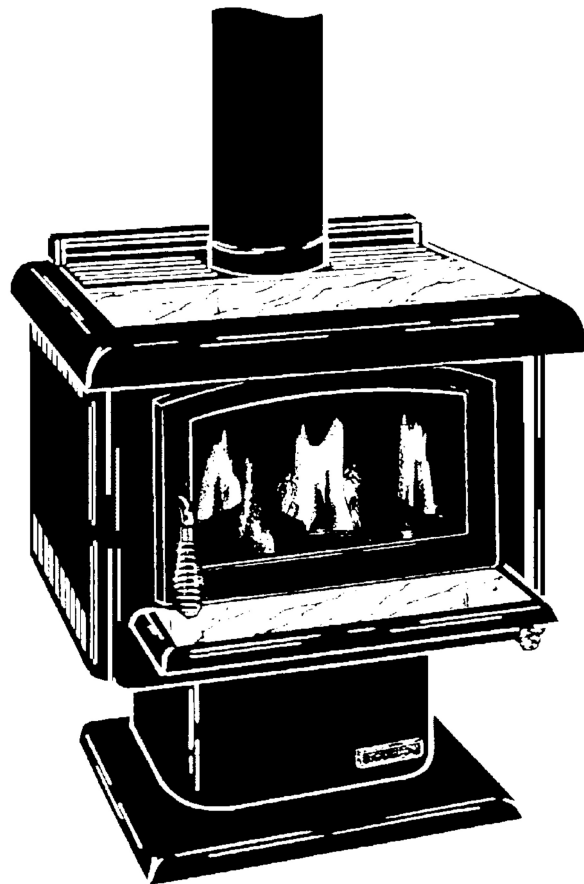


www.nficertified.org

We suggest that our wood-burning hearth products be installed and serviced by professionals who are certified in the U.S. by the National Fireplace Institute® (NFI) as NFI Woodburning Specialists or who are certified in Canada by Wood Energy Technical Training (WETT).



**Wood Energy
Technical Training**
www.wettinc.ca



RETAIN THESE
INSTRUCTIONS
FOR FUTURE
REFERENCE

MODEL 1500HT

**THIS APPLIANCE MUST BE INSTALLED BY A QUALIFIED INSTALLER. READ
ENTIRE MANUAL THOROUGHLY BEFORE INSTALLATION.**

Tested &
Listed By  Beaverton
Oregon USA

OMNI-Test Laboratories, Inc.

P/N 775001M, Rev. Q, 12/03

REPLACEMENT PARTS LIST - Model 1500HT

PART NO.	DESCRIPTION
	Door Parts
G6000	Door Assembly, Cast Black
14M72	Door Assembly, Gold
27M67	Clip Set, Glass
86-128	Door Gasket Kit, 3/4" Rope (includes adhesive)
27M81	Gasket, Glass Channel (Per Foot)
G2000-7	Glass, Arched 9 1/2 X 15 3/4" (glass gasket not included)
10300	Handle Assembly (fits gold & cast doors)
11529	Hinge, Pin 10 L 18, Original, Top/Bottom (requires welding)
11531	Hinge Pin (retrofit), Top Only (Requires Drilling, #3 [.213"] & Tap 1/4-28 UNF)
10362	Torque Plate (latch)
	Draft Module Parts
26M28	Module, Primary Air Draft
907	Module Coil Handle (brass)
	Component Parts
1100	Ash Drawer Assembly
1135	Knob, Ash Drawer
27M80H	Gasket, Ash Drawer (3/8" wide X 1/8" thick)
13009	Trim, Top Louver
	Fan System Parts (if optional kit(s) installed)
14440	Dial - A - Temp (rheostat)
	Misc. Component Parts
1054	Cerawool Pad For Marble (requires 1)
1051	Cerawool Strip For Marble (requires 4)
MS1502	Marble Set, Gray (marble gasket, 1ea. 1054 & 4ea. 1051, is provided w/ appliance)
MS1505	Marble Set, Green (marble gasket, 1ea. 1054 & 4ea. 1051, is provided w/ appliance)
	Firebox Parts (see firebrick diagram, next page) note: all firebrick are 1 1/4" thick
1115	Grate, Cast Iron
12009	Brick Retainer, 8"

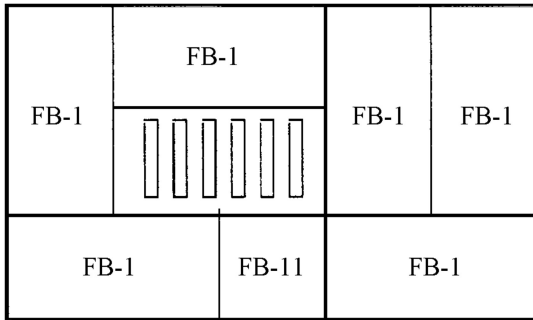
For the location of the nearest Dealer for replacement parts, contact:
Lennox Hearth Products
1110 West Taft Avenue
Orange, CA 92865

COMPONENT DIAGRAMS – Model 1500HT

FIREBRICK

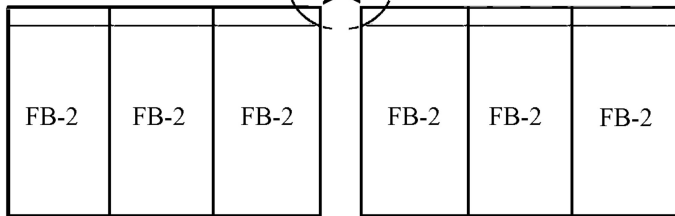
Part/Catalog #	Quantity	Dimensions	Part/Catalog #	Quantity	Dimensions
FB-1	6	9 x 4 1/2"	FB11	1	4 1/2" x 4 3/8"
FB2	10	9 x 4 1/2" w/notch	<i>* Baffle brick are a special denser brick. Do not substitute</i> <i>Note: All brick are 1 1/4" thick.</i>		
10545	5	* 9 x 4 1/2" w/notch			
01115	1	Grate			
FB-5	1	9 x 2 1/2" w/hole			

BRICK DIAGRAM



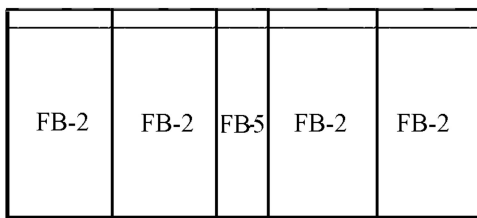
BOTTOM

Must Chip Approx 1" x 1" Notches



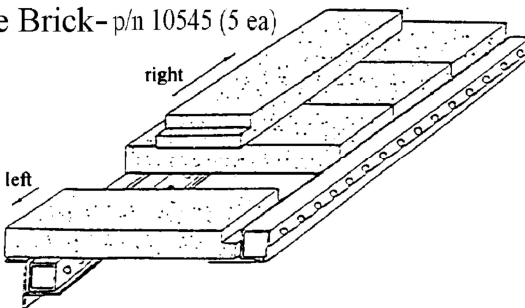
LEFT

RIGHT

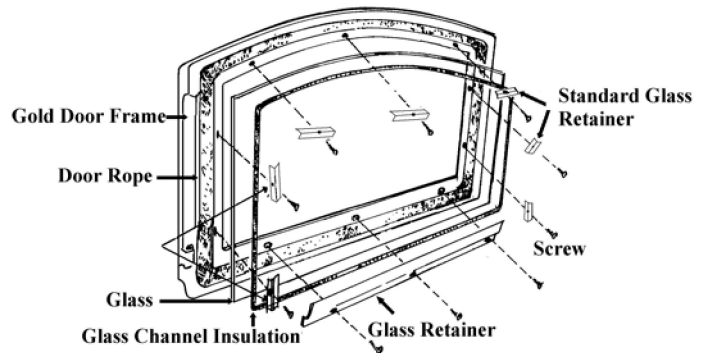


BACK

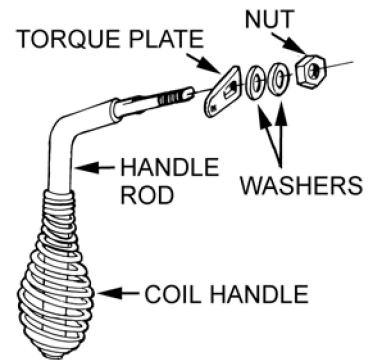
Baffle Brick- p/n 10545 (5 ea)



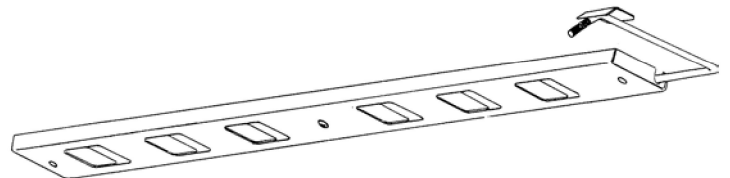
DOOR ASSEMBLY



HANDLE ASSEMBLY



PRIMARY AIR DRAFT MODULE



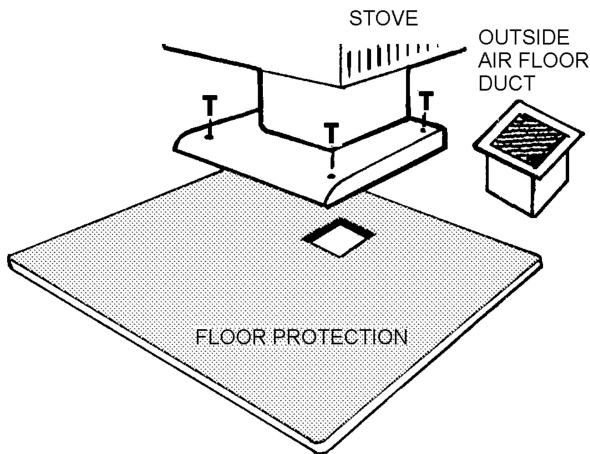
OPTIONAL ACCESSORIES – Model 1500HT

Note: Install and use accessories per instructions provided with the accessory kit.

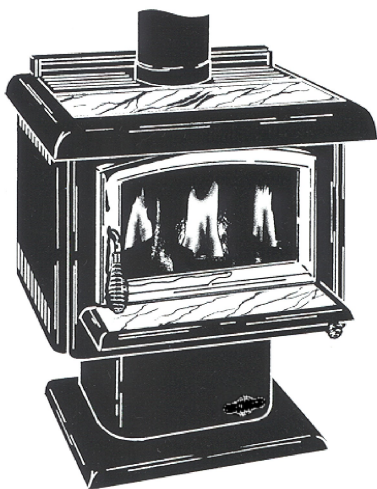
Catalog #	Model #	Description	Notes
14M67	OAFD-S	Outside Air Floor Duct	5 1/4" Square
14M72	DK100-G	Gold Door Kit	
14M22	BK-100	Blower Kit	Includes Dial-A-Temp for Variable Speed Control
14M21	SSK	Stove Stat Kit	Thermally Controls Blower
70K99	TSPK-B	Touch-up Spray Paint Kit, Black	12 oz Spray Can

Outside Air Floor Duct

(Duct penetration measures 5 1/4" square)

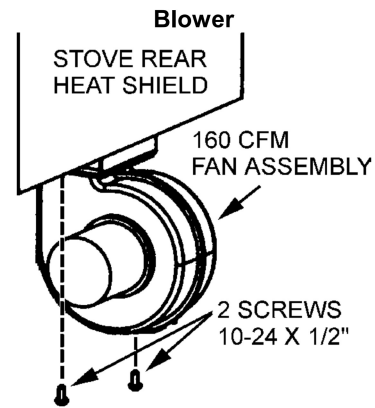


Gold Door Kit

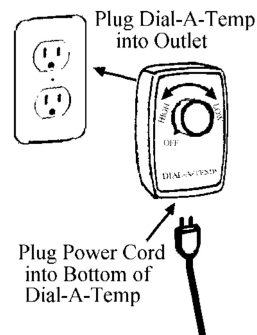


Blower Kit

A Blower Kit (includes rheostat for variable speed control) is available for increased heat circulation.



Variable Speed Control, Dial-A-Temp



Stove-Stat Kit

