



HEARTH PRODUCTS

CARE AND OPERATION INSTRUCTIONS

B-Vent Gas Fireplaces
36" LMBV Models

MERIT SERIES

P/N 875033M Rev. D 04/2013

This manual is one of a set of two supporting this product.
Refer to P/N 850040M for Installation Instructions.

This manual is available in French. Order P/N 506223-24.
Ce manuel est disponible en français. Simplement en faire
la demande numéro de la pièce 506223-24.



WH Report No. 3106807

Intertek

MODELS

Millivolt Models

LMBV-36RMN
LMBV-36RMP

Electronic Models

LMBV-36REN

INSTALLER: Leave this manual with the appliance.
CONSUMER: Retain this manual for future reference.
INSTALLATEUR : Laissez cette notice avec l'appareil.
CONSOMMATEUR : Conservez cette notice pour
consultation ultérieure.

Decorative Product: Not for use as a heating appliance.

NOTICE: Fireplace is not to be operated by a thermostat.

WARNING / AVERTISSEMENT / AVISO

**HOT GLASS WILL
CAUSE BURNS.
DO NOT TOUCH GLASS
UNTIL COOLED
NEVER ALLOW CHILDREN
TO TOUCH GLASS.**



**UNE SURFACE VITRÉE CHAUDE
PEUT CAUSER DES BRÛLURES.
LAISSER REFROIDIR LA SURFACE
VITRÉE AVANT D'Y TOUCHER.
NE PERMETTEZ JAMAIS À UN ENFANT
DE TOUCHER LA SURFACE VITRÉE.**

**EL VIDRIO CALIENTE
CAUSARÁ QUEMADURAS.
USTED DEBE NUNCA
TOCAR EL VIDRIO CALIENTE.
LOS NIÑOS DEBEN NUNCA
TOCAR EL VIDRIO.**

WARNING: If the information in these instructions is not followed exactly, a fire or explosion may result, causing property damage, personal injury, or death.

- Do not store or use gasoline or other flammable vapors and liquids in the vicinity of this or any other appliance.
- **WHAT TO DO IF YOU SMELL GAS:**
 - Do not try to light any appliance.
 - Do not touch any electrical switch; do not use any phone in your building.
 - Immediately call your gas supplier from a neighbor's phone. Follow the gas supplier's instructions.
 - If you cannot reach your gas supplier, call the fire department.
- Installation and service must be performed by a qualified installer, service agency or the gas supplier.

AVERTISSEMENT : Assurez-vous de bien suivre les instructions données dans cette notice pour réduire au minimum le risque d'incendie ou d'explosion ou pour éviter tout dommage matériel, toute blessure ou la mort.

- Ne pas entreposer ni utiliser d'essence ni d'autres vapeurs ou liquides inflammables dans le voisinage de cet appareil ou de tout autre appareil.
- **QUE FAIRE SI VOUS SENTEZ UNE ODEUR DE GAZ :**
 - Ne pas tenter d'allumer d'appareil.
 - Ne touchez à aucun interrupteur. Ne pas vous servir des téléphones se trouvant dans le bâtiment où vous trouvez.
 - Appelez immédiatement votre fournisseur de gaz depuis un voisin. Suivez les instructions du fournisseur.
 - Si vous ne pouvez rejoindre le fournisseur de gaz, appelez le service des incendies.
- L'installation et l'entretien doivent être assurés par un installateur ou un service d'entretien qualifié ou par le fournisseur de gaz.

ACCESSORY COMPONENTS

Product Reference Information			
Cat. No.	Model	Ship. Weight	Shipping Volume
H5124	LMBV-36RMN	175 lbs.	17.3 cu.ft.
H5125	LMBV-36RMP	175 lbs.	17.3 cu.ft.
H5126	LMBV-36REN	175 lbs.	17.3 cu.ft.



Manual or up to 3 hr Countdown Timer modes

- LCD display
- Displays room temp. in °F or °C
- Flame icon and low battery indicator
- Includes batteries
- Wall clip included
- Receiver may be wall mounted or placed in the control compartment
- Includes white face plate
- Flame icon
- Low battery indicator
- Batteries included

Remote, Two Button, Timer, On/Off Or Timer Mode		
Cat. No.	Model No.	Description
H8860	RC-S-1	Remote Control



Cost Effective Solution

- Simple On/Off operation
- Works with millivolt and low voltage electronic ignition controls

Kit includes:
Remote and Receiver

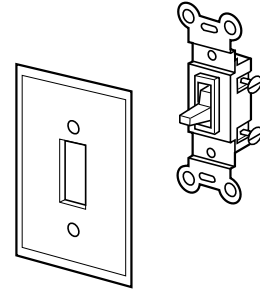
G-Fire Remote, Simple On/Off		
Cat. No.	Model No.	Description
H8840	KIT-RC-G-FIRE	Remote Control



Wall Control

- 4-button timer with 30/60/120/OFF minutes
- Wall surface mounted
- Connects to wall switch wire
- Perfect for rental and resort applications

Wall Switch, Countdown Timer		
Cat. No.	Model No.	Description
H8863	WS-S-TMR	Wall Switch



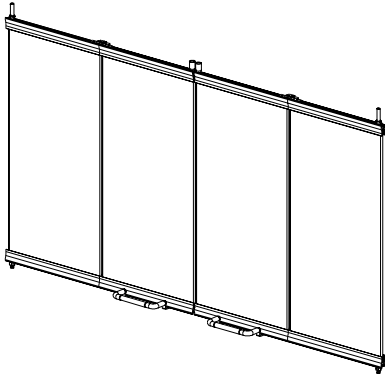
OFF/ON Wall Switch Kit

The OFF/ON wall switch kit may be used to control the operation of the fireplace burner. Install the OFF/ON wall switch in a convenient location near the fireplace.

White Wall Switch Kit		
Cat. No.	Model No.	Description
85L87	FWSK	OFF/ON Wall Switch Kit

ACCESSORY COMPONENTS

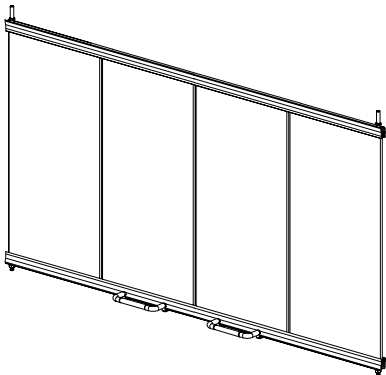
To ensure warranty and to prevent a potential fire hazard, do not use any other doors on these appliances.



Bi-Fold Doors		
Cat. No.	Model No.	Description
86L26	36 ABF	Black
86L27	36 ABF-BB	Bright Brass
86L28	36 ABF-BS	Brushed Stainless

Bi-Fold Doors

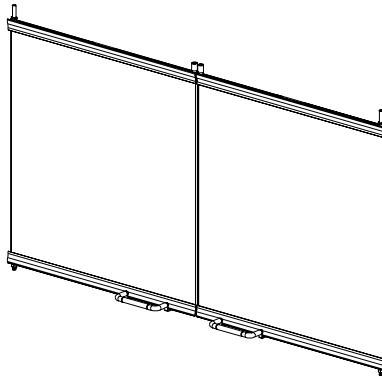
Your appliance can be fitted with beautiful bi-fold doors. Model ABF doors are available for use with these appliances. Doors are easily fitted to the fireplace opening.



Glass Enclosure Panels		
Cat. No.	Model No.	Description
27M30	36GEP	Black
27M31	36GEP-BB	Polished Brass

Glass Enclosure Panels

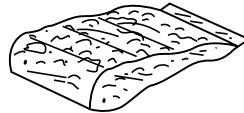
Your fireplace can be fitted with beautiful glass enclosure panels with a bi-fold "look" (non-operable doors once installed). Model 36GEP is finished in black trim; model 36GEP-BB is finished in polished brass trim.



Twin Pane Doors		
Cat. No.	Model No.	Description
86L29	36 TPA-BB	Bright Brass

Twin Pane Doors

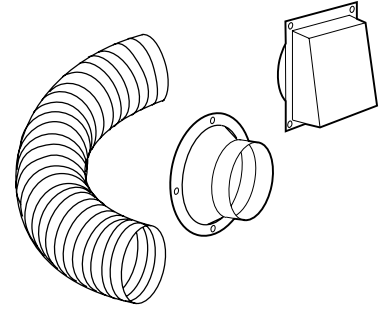
Your appliance can be fitted with beautiful twin pane doors. Model TPA doors are available for use with these appliances. Model TPA doors are easily fitted to the fireplace opening. Model 36 TPA-BB doors have a beautiful bright brass finish.



Decorative Firebox Accessories		
Cat. No.	Model No.	Description
88L53	FGE	Bag of Glowing Embers
80L42	FDVS	Bag of Decorative Volcanic Stone

**Bag of Glowing Embers
Bag of Volcanic Stone**

Replacement ember materials or volcanic stone are available for use with these appliances. Order kits as part of the periodic maintenance of the appliance.



Outside Combustion Air Kits		
Cat. No.	Model No.	Description
81L87	FOAK-4	(with duct)
81L88	FOAK-4LD	(without duct)

Outside Air Kits Models FOAK-4 and FOAK-4LD

Outside Air kits are available with duct (FOAK-4) and without duct (FOAK-4LD) for use if outside combustion air is required or desired. If model FOAK-4LD is used it must be used in conjunction with locally purchased, non-combustible Class 1 or Class 0 flexible duct.



Touch-Up Paint Kits		
Cat. No.	Model No.	Description
90L73	TPK-B	Touch-Up Paint (Black)

Touch-Up Paint Kit

Repair of minor scratches and discoloration of the appliance black painted surfaces may be accomplished with the touch-up paint kit.

REPLACEMENT PARTS LIST

Replacement Parts List					
No.	Description	Natural Gas		Propane Gas	
		Part No.	Qty.	Part No.	Qty.
---	Gas Fireplace Assembly	----	----	----	----
1	Firescreen	H6208	2	H6208	2
2	Rod, Screen	H6209	2	H6209	2
3	Refractory, Side	H2711	2	H2711	2
4	Refractory, Rear	H2710	1	H2710	1
5	Refractory Access Panel	H3656	1	H3656	1
6	Refractory, Base (Left)	H3655	1	H3655	1
7	Refractory, Base (Right)	H3657	1	H3657	1
8	Log Set, Complete a. Log, Rear b. Log, Rear Top c. Log, Front Left d. Log, Top Right e. Log, Front Right	H5132	1	H5132	1
9	Burner Assembly	H5351	1	H5351	1
10	Burner Orifice	H3721	1	67L28	1
11	Bag of Glowing embers	88L53	1	88L53	1
12	Limit Switch	75L23	1	75L23	1
13	Damper Switch	H2327	1	H2327	1
14	Flexible Gas Line and shut-off valve	93L32	1	93L32	1
15	Grate Assembly	H5352	1	H5352	1

Gas Controls — SIT Millivolt					
No.	Description	Natural		Propane	
		Part No.	Qty.	Part No.	Qty.
20	Gas Valve - SIT	H6244	1	H3142	1
21	Pilot Assembly - SIT	62L12	1	62L13	1
22	Pilot Generator	60J79	1	60J79	1
23	Electrode and Cable	H6212	1	H6212	1
24	Piezo Igniter	10K86	1	10K86	1
25	Ignition Cable	H5047	1	H5047	1
26	Pilot Tube	74L56	1	74L56	1

Gas Controls — Honeywell Electronic					
No.	Description	Natural		Propane	
		Part No.	Qty.	Part No.	Qty.
30	Gas Valve - Honeywell	62L18	1	62L19	1
31	Pilot Assembly - Honeywell	62L14	1	62L15	1
32	Transformer	42J32	1	42J32	1
33	Igniter Assembly (kit)	87L54	1	87L54	1

Contact a Lennox Hearth Products dealer to obtain any of these parts. Never use substitute materials. Use of non-approved parts can result in poor performance and safety hazards.

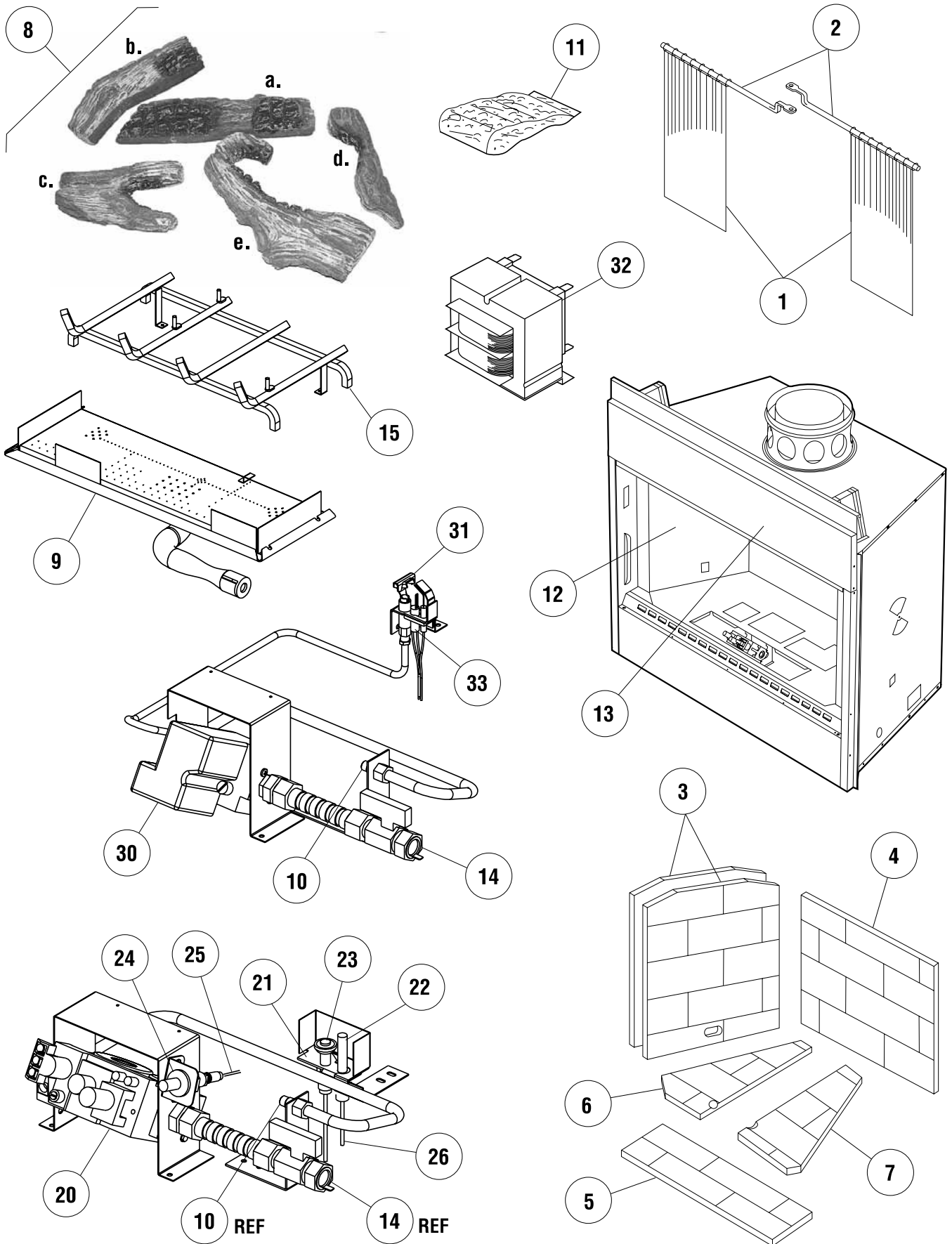
WARNING

Failure to position the parts in accordance with these diagrams or failure to use only parts specifically approved with this appliance may result in property damage or personal injury.

AVERTISSEMENT

Risque de dommages ou de blessures si les pièces ne sont pas installées conformément à ces schémas et ou si des pièces autres que celles spécifiquement approuvées avec cet appareil sont utilisées.

REPLACEMENT PARTS



NOTE: DIAGRAMS & ILLUSTRATIONS ARE NOT TO SCALE.