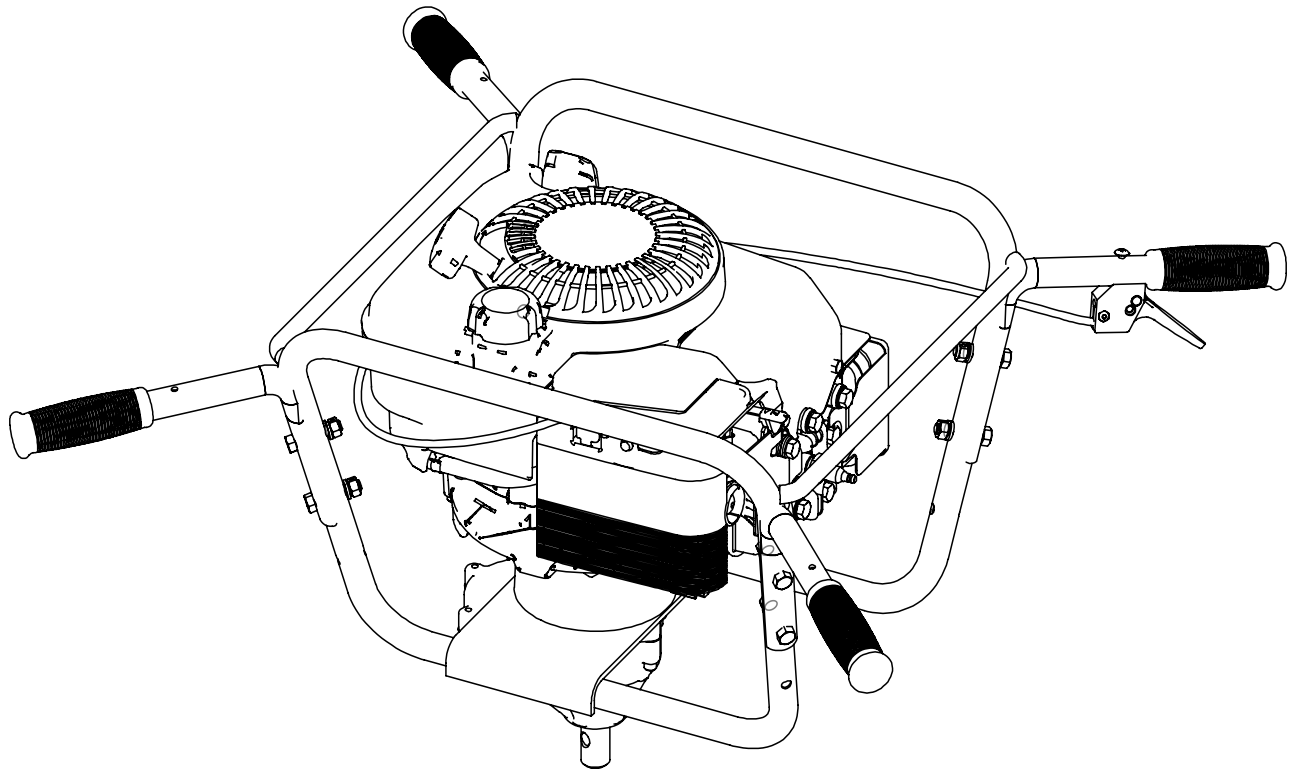




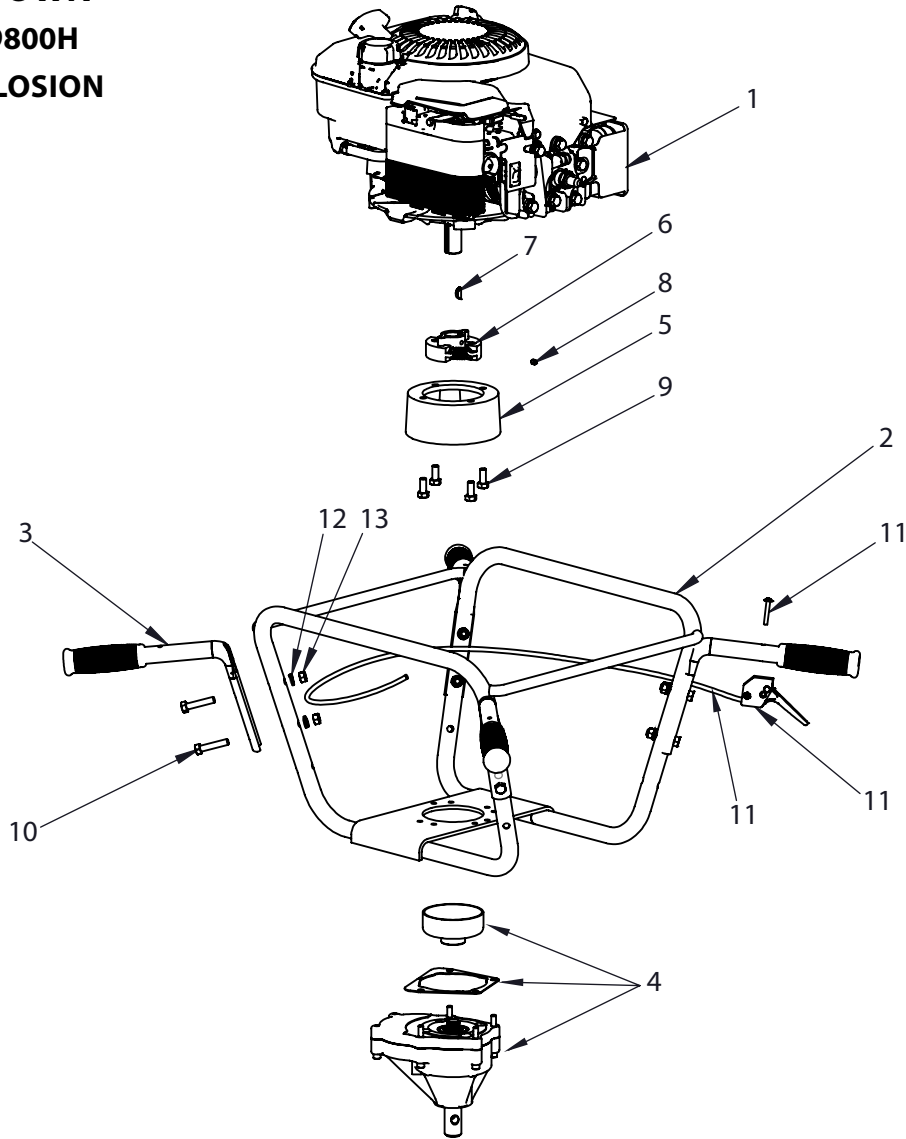
Operator's Manual
Original Operating Instructions

**Two-Man
Earth Auger Powerhead
9800 Series**



Includes models:
9800B
9800H
9800BCE (European)

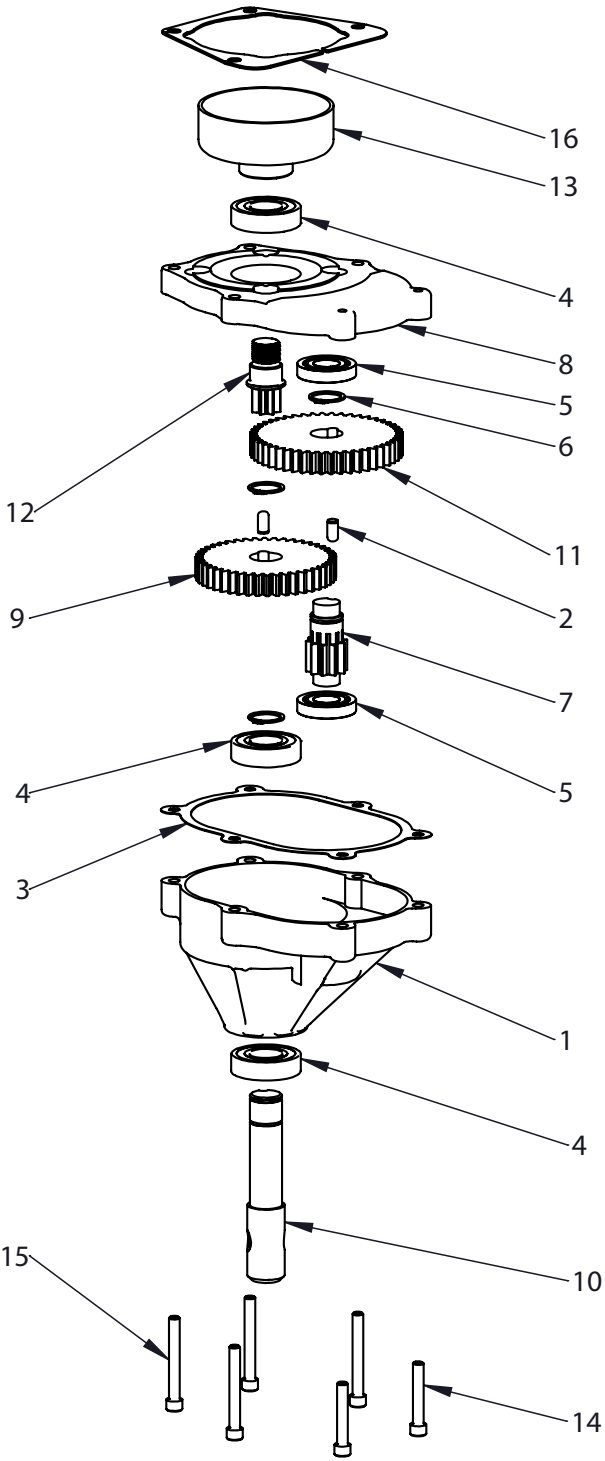
PARTS BREAKDOWN 9800B/9800BCE/9800H MAIN PARTS EXPLOSION



KEY NO.	PART NO.	DESCRIPTION	QTY.
1	513	ENGINE, BRIGGS 675 SERIES	1
	513CE	ENGINE, BRIGGS 675 SERIES CE	1
	GCV160	ENGINE 160CC HONDA	1
2	9819	WELDMENT, FRAME 9800	1
3	9827	HANDLE AND THROTTLE GRIP 9800	4
4	9800BTRANKIT	TRANSMISSION ASSEMBLY 30:1 (9800B/9800BCE ONLY)	1
	98005	TRANSMISSION ASSEMBLY 30:1 (9800H ONLY)	1
5	9837A	MOUNT RING COMPLETE 9800 SERIES	1
6	9825	ROTOR CENTRIFUGAL CLUTCH	1

KEY NO.	PART NO.	DESCRIPTION	QTY.
7	WK6	KEY WOODRUFF 5/32 X 5/8	1
8	--	SET SCREW 1/4-20 X 1/4 SCPC BLK OXIDED	1
9	420	BOLT 5/16-24 X 3/4 PFCS	4
10	503	BOLT 5/16-18 X 1-1/2 HH	8
11	9801	CABLE THROTTLE W/TRIGGER 9800B/9800BCE ONLY	1
	4819	TRIGGER ASSEMBLY (NO CABLE, 9800H ONLY)	1
	9805A	CABLE (NO TRIGGER, 9800H ONLY)	1
12	504	LOCKWASHER SPRING 5/16 INCH	8
13	60G56	NUT 5/16-18 BI-WAY LOCK GR5 ZN	8

9800B/9800BCE/9800H TRANSMISSION PARTS EXPLOSION



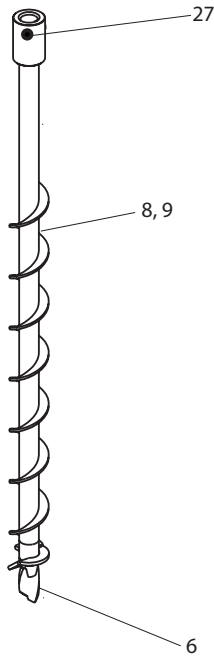
KEY NO.	PART NO.	DESCRIPTION	QTY.
1	75600*	KIT LOWER CASTING	1
2	8915	DOWEL PIN STEEL 1/4 INCH X 1/2 INCH	2
3	8919	GASKET-POWERHEAD TRANSMISSION	1
4	8922	BEARING BALL R12 DOUBLE LIP SEALED 3/4 IN. I.D.	3
5	8923	BEARING BALL R10 OPEN 5/8 IN. I.D.	2
6	8924	RING RETAINING EXTERNAL 3/4 INCH	3
7	9214A	GEAR 10T CLUSTER PINION HT	1
8	75300**	KIT TOP CASTING	1
9	8912	GEAR 44T 3/4 IN. HOLE	1
10	8913	SHAFT OUTPUT	1
11	8914	GEAR 48T HARD	1
12	9814	GEAR 7T PINION THREADED	1
13	9018	CLUTCH DRUM 3" THREADED SHORT	1
14	8929	BOLT 1/4-20 X 1-1/2 SHCS	2
15	8935	BOLT 1/4-20 X 2-1/2 SHCS F-T	4
16	3004149	SHIM, 9800 TRANSMISSION TOP	1

* The lower casting kit (P/N: 75600) includes: lower half gear box case, the powerhead transmission gasket (8919), and ball bearings (8922, 8923).

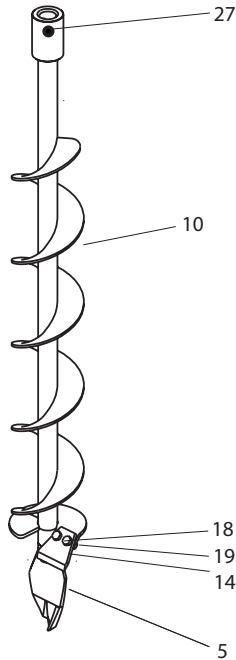
** The top casting kit (P/N: 75300) includes: gear case top (3004111), ball bearings (8922, 8933), shim (3004149) and gasket (8919).

AUGER PARTS EXPLOSIONS

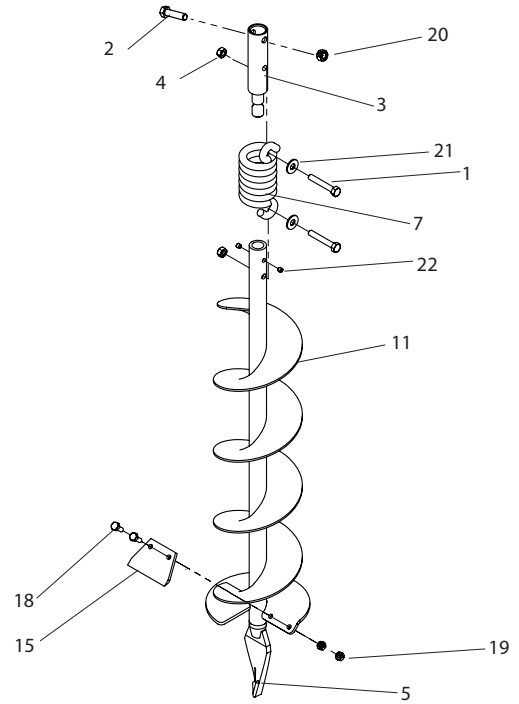
EA2F, EA3F



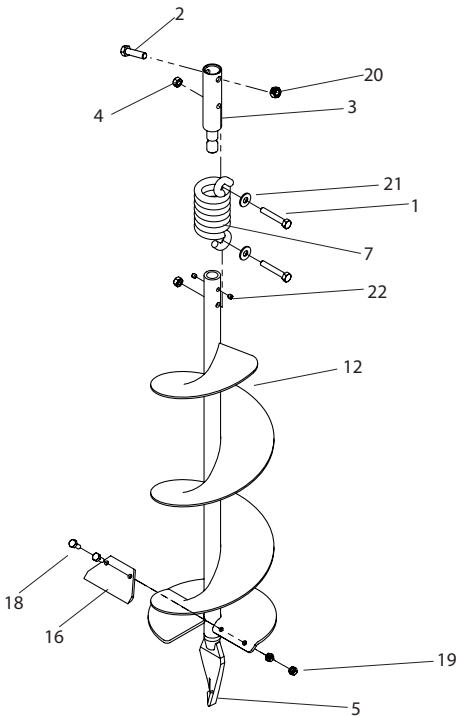
EA4F



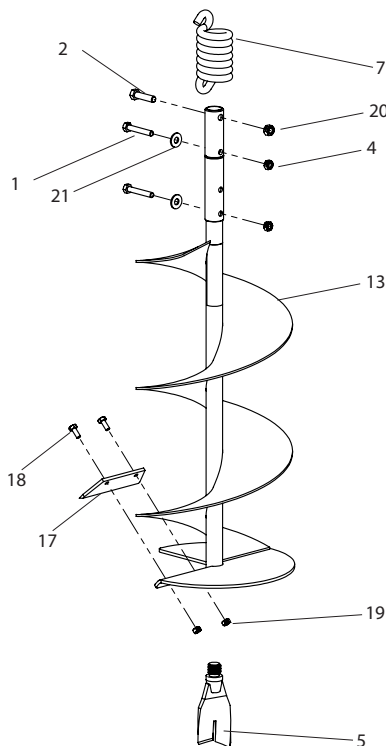
EA6F



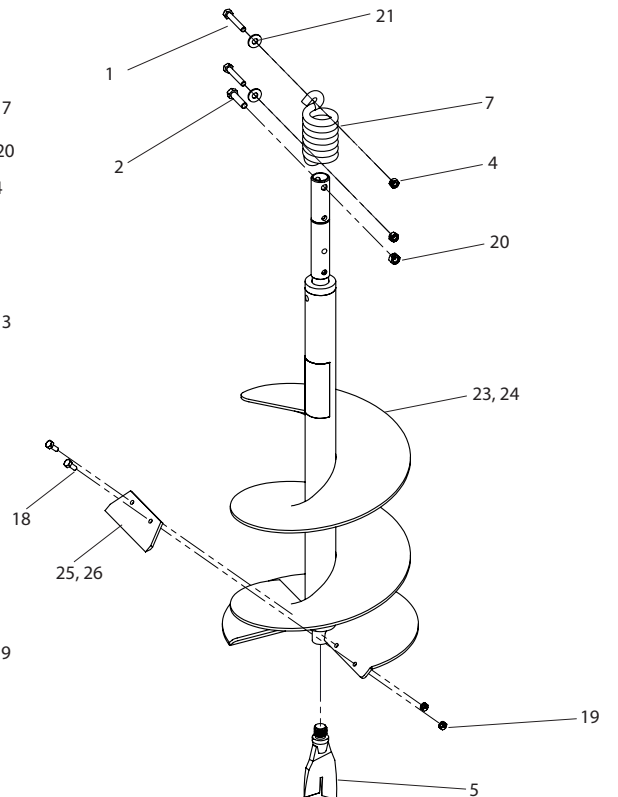
EA8F



EA10F



EA12F, EA14F





AUGER PARTS LIST

KEY NO.	PART NO.	DESCRIPTION	QTY.
1	1423	BOLT-HHCS, 5/16-18 X 2", GRADE 5 (auger shock spring)	2
2	1433	BOLT-HHCS, 3/8-16 X 1-1/2" (auger to powerhead)	2
3	53684	SHOCKTOP 1-PC (used on 6" and 8" earth augers)	1
4	60G56	NUT-HEX 2-WAY REVERSIBLE LOCKNUT, 5/16-18	2
5	8958HD	FISHTAIL POINT (used on 4" or larger earth auger)	1
6	8970	EARTH POINT (used on 2" & 3" earth auger)	1
7	8980	SHOCK SPRING (Used on 6" and larger earth augers)	1
8	EA2F	EARTH AUGER, 2" W/FISHTAIL POINT	1
9	EA3F	EARTH AUGER, 3" W/FISHTAIL POINT	1
10	EA4F	EARTH AUGER, 4" W/FISHTAIL POINT	1
11	EA6F	EARTH AUGER, 6" W/FISHTAIL POINT	1
12	EA8F	EARTH AUGER, 8" W/FISHTAIL POINT	1
13	EA10F	EARTH AUGER, 10" W/FISHTAIL POINT	1
14	EB4	EARTH BLADE, 4" (includes EBOLT & ENUT)	1
15	EB6	EARTH BLADE, 6" (includes EBOLT & ENUT)	1
16	EB8	EARTH BLADE, 8" (includes EBOLT & ENUT)	1
17	EB10	EARTH BLADE, 10" (includes EBOLT & ENUT)	1
18	EBOLT	BOLT-HEX, 1/4-28 X 5/8", GRADE 5 (earth blade to auger)	2
19	ENUT	NUT-NYLOC, 1/4-28	2
20	2104	NUT HEX LOCKING, 3/8-16	2
21	WF516	WASHER-FLAT, 5/16"	2
22	715	SET SCREW 1/4-20 X 1/4 SCPC BLK OXIDED	2
23	EA12F	EARTH AUGER, 12" W/FISHTAIL POINT	1
24	EA14F	EARTH AUGER, 14" W/FISHTAIL POINT	1
25	EB12	EARTH BLADE, 12" (includes EBOLT & ENUT)	1
26	EB14	EARTH BLADE, 14" (includes EBOLT & ENUT)	1
27	8955	BOLT 3/8-16 X 1-1/4 SHCS	1
ITEMS NOT SHOWN			
--	EXT12	DEPTH EXTENSION, 12"	1
--	EXT18	DEPTH EXTENSION, 18"	1
--	EB6HD	HEAVY DUTY EARTH BLADE, 6" (includes EBOLT & ENUT)	1
--	EB8HD	HEAVY DUTY EARTH BLADE, 8" (includes EBOLT & ENUT)	1
--	EB10HD	HEAVY DUTY EARTH BLADE, 10" (includes EBOLT & ENUT)	1
--	9811	SWITCH, ON/OFF (Not Shown)	1