

PARTS MANUAL



MAYCO SERIES MODEL C30HDGA CONCRETE PUMP (ZENITH 416 GAMMA GASOLINE ENGINE)

Revision #3 (09/09/21)



THIS MANUAL MUST ACCOMPANY THE EQUIPMENT AT ALL TIMES.

TABLE OF CONTENTS

C30HDGA Concrete Pump

Explanation Of Code In Remarks Column.....	4
Suggested Spare Parts	5

Component Drawings

Nameplate And Decals Assembly	6-7
Compensator Piston Rod Assembly	8-9
Connecting Rod - Drive Side Assembly	10-11
Rocker Assembly	12-13
Counter-Shaft Assembly.....	14-15
Crankshaft Assembly.....	16-17
Manifold Assembly.....	18-19
Hopper Assembly	20-21
Hood Assembly	22-23
Battery Assembly.....	24-25
Control Box Assembly	26-27
Control Box Mounting Assembly.....	28-29
Fuel Tank Assembly.....	30-31
Air Cleaner Assembly	32-33
Radiator Assembly	34-35
Lubrication Panel Assembly	36-37
Engine Mounting Assembly	38-39
Muffler Assembly	40-41
Clutch Assembly.....	42-43
Frame Assembly.....	44-47
Axle Assembly	48-49
Front Panel Assembly.....	50-51
Remote Control Cable Assembly	52-53
Engine Service Parts.....	54-55

NOTICE

Part numbers are subject to change without notice.

EXPLANATION OF CODE IN REMARKS COLUMN

The following section explains the different symbols and remarks used in the Parts section of this manual. Use the help numbers found on the back page of the manual if there are any questions.

NOTICE

The contents and part numbers listed in the parts section are subject to change **without notice**. Multiquip does not guarantee the availability of the parts listed.

SAMPLE PARTS LIST

NO.	PART NO.	PART NAME	QTY.	REMARKS
1	12345	BOLT	1	INCLUDES ITEMS W/%
2%		WASHER, 1/4 IN.		NOT SOLD SEPARATELY
2%	12347	WASHER, 3/8 IN. ...	1	MQ-45T ONLY
3	12348	HOSE	A/R	MAKE LOCALLY
4	12349	BEARING	1	S/N 2345B AND ABOVE

NO. Column

Unique Symbols — All items with same unique symbol (@, #, +, %, or >) in the number column belong to the same assembly or kit, which is indicated by a note in the “Remarks” column.

Duplicate Item Numbers — Duplicate numbers indicate multiple part numbers, which are in effect for the same general item, such as different size saw blade guards in use or a part that has been updated on newer versions of the same machine.

NOTICE

When ordering a part that has more than one item number listed, check the remarks column for help in determining the proper part to order.

PART NO. Column

Numbers Used — Part numbers can be indicated by a number, a blank entry, or TBD.

TBD (To Be Determined) is generally used to show a part that has not been assigned a formal part number at the time of publication.

A blank entry generally indicates that the item is not sold separately or is not sold by Multiquip. Other entries will be clarified in the “Remarks” Column.

QTY. Column

Numbers Used — Item quantity can be indicated by a number, a blank entry, or A/R.

A/R (As Required) is generally used for hoses or other parts that are sold in bulk and cut to length.

A blank entry generally indicates that the item is not sold separately. Other entries will be clarified in the “Remarks” Column.

REMARKS Column

Some of the most common notes found in the “Remarks” Column are listed below. Other additional notes needed to describe the item can also be shown.

Assembly/Kit — All items on the parts list with the same unique symbol will be included when this item is purchased.

Indicated by:

“INCLUDES ITEMS W/(unique symbol)”

Serial Number Break — Used to list an effective serial number range where a particular part is used.

Indicated by:

“S/N XXXXX AND BELOW”

“S/N XXXX AND ABOVE”

“S/N XXXX TO S/N XXX”

Specific Model Number Use — Indicates that the part is used only with the specific model number or model number variant listed. It can also be used to show a part is NOT used on a specific model or model number variant.

Indicated by:

“XXXXX ONLY”

“NOT USED ON XXXX”

“Make/Obtain Locally” — Indicates that the part can be purchased at any hardware shop or made out of available items. Examples include battery cables, shims, and certain washers and nuts.

“Not Sold Separately” — Indicates that an item cannot be purchased as a separate item and is either part of an assembly/kit that can be purchased, or is not available for sale through Multiquip.

SUGGESTED SPARE PARTS

MAYCO C30HDGA CONCRETE PUMP WITH ZENITH 416 GAMMA GASOLINE ENGINE

1 unit

Qty.	P/N	Description
3.....	EM14904	PISTON CUP KIT, BLK.
3.....	EM98127	PISTON CUP KIT, YELL.
4.....	EM18804	4-1/2" STEEL BALL
4.....	EM14818	4"STEEL BALL
6.....	EM14903	BALL STOP PIN KIT
10.....	EM18801	O-RING MANIFOLD
1.....	EM14308	CHAIN
2.....	EM26313	HALF LINK
2.....	EM26314	MASTER LINK
1.....	EM14334	COMPENSATOR SPRING
2.....	EM14408	BRONZE RING
1.....	EM98296	CAM BEARING (MCGILL)
2.....	EM14315	V-BELT
2.....	EM14842	LOWER SEAT
2.....	EM14843	UPPER SEAT
10.....	EM18409	O-RING
10.....	EM18801	O-RING
1.....	201287.....	IN-LINE FUEL FILTER
2.....	EM20328TKIT	BEARING KIT
1.....	EM28004DD	REDUCER 3" X 2" X 36"
1.....	EM23946	3" ELBOW
2.....	EM28904	3" CLAMP
4.....	EM289041	3" GASKETS
1.....	EM14159	HOPPER SCREEN
1.....	EM14351	CLUTCH
30.....	EM98057A.....	"SLICK PACK"
.....	HOSE PRIMING AGENT

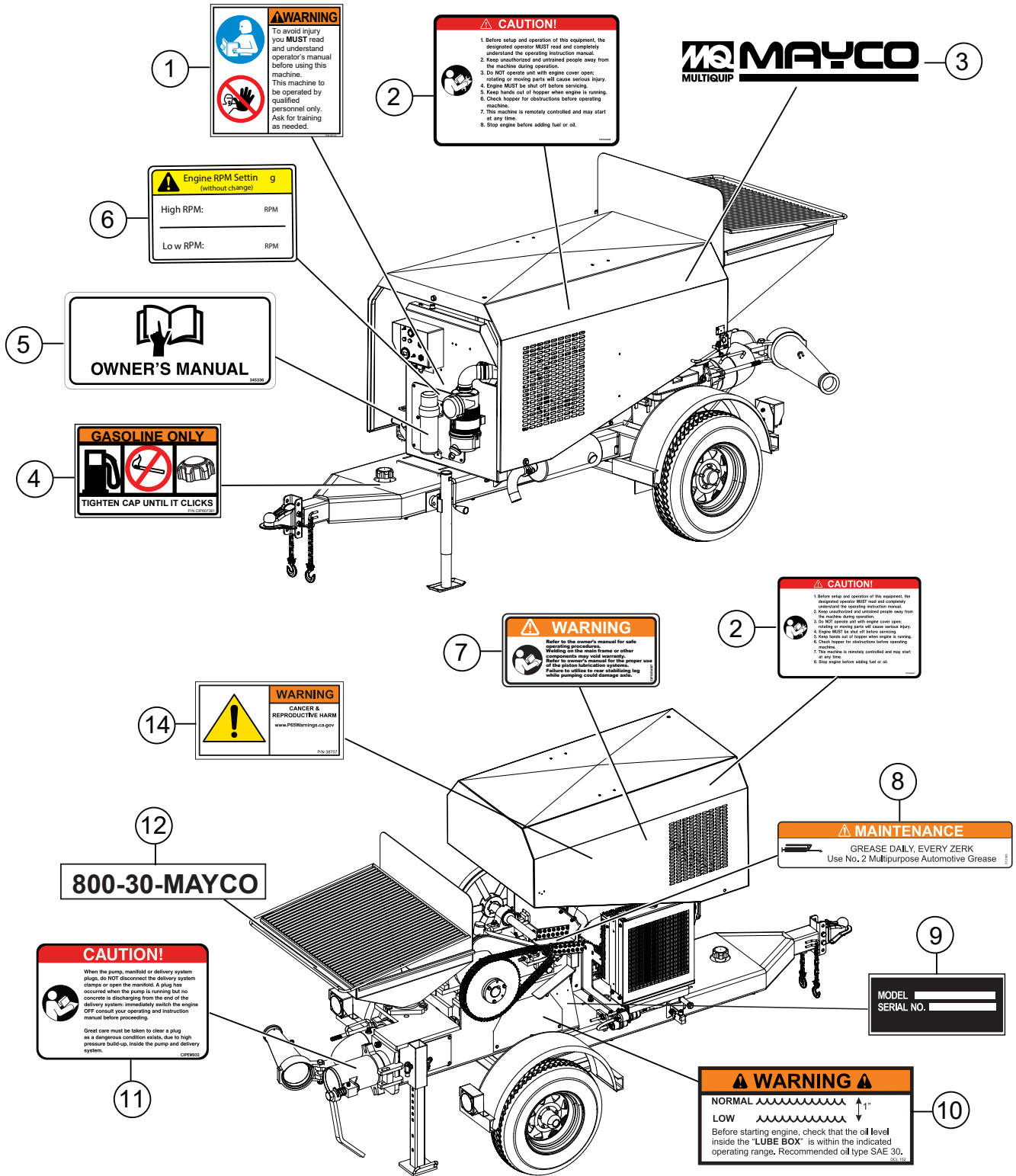
3 units

Qty.	P/N	Description
10.....	EM14904	PISTON CUP KIT, BLK.
10.....	EM98127	PISTON CUP KIT, YELL.
10.....	EM18804	4-1/2" STEEL
10.....	EM14818	4" STEEL BALL
12.....	EM14903	BALL STOP PIN KIT
25.....	EM18801	MANIFOLD O-RINGS
3.....	EM14308	CHAINS
10.....	EM26313	HALF LINK
10.....	EM26314	MASTER LINK
2.....	EM14334	COMPENSATOR SPRING
4.....	EM14408	BRONZE RING
2.....	EM98296	CAM BEARING (MCGILL)
6.....	EM14315	V-BELT
6.....	EM14842	LOWER SEAT
6.....	EM14843	UPPER SEAT
3.....	EM26310	CLUTCH LINING
20.....	EM18409	O-RING
2.....	201287.....	IN-LINE FUEL FILTER
2.....	EM20328TKIT	BEARING KIT
2.....	EM28004DD	REDUCER 3" X 2" X 36"
2.....	EM23946	3" ELBOW
4.....	EM28904	3" CLAMP
10.....	EM289041	3" GASKET
2.....	EM14159	HOPPER SCREEN
1.....	EM14300	CAM
1.....	EM14801	T-MANIFOLD
1.....	EM14819A.....	Y-MANIFOLD
2.....	EM14335	PISTON ROD
1.....	EM26788	REMOTE SWITCH
1.....	EM903176	CONN. ROD BEARING
1.....	EM14305	CRANKSHAFT
2.....	EM14807HD	PUMP CYLINDER
2.....	EM18800	COMPENSATOR CYLINDER
2.....	EM14351	CLUTCH
60.....	EM98057A.....	"SLICK PACK"
.....	HOSE PRIMING AGENT

NOTICE

Part numbers on this Suggested Spare Parts list may supersede/replace the part numbers shown in the following parts lists.

NAMEPLATE AND DECALS ASSY.



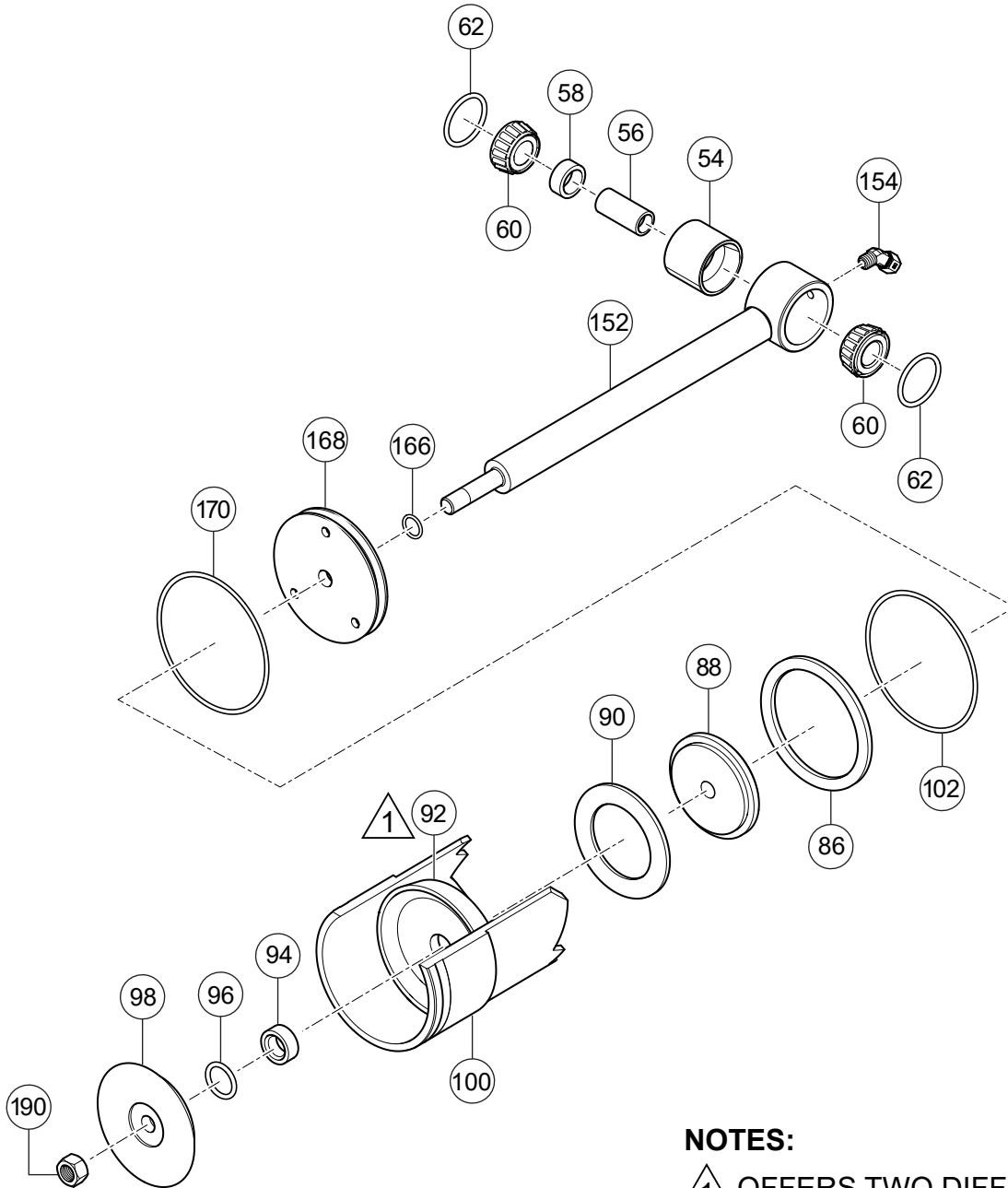
NAMEPLATE AND DECALS ASSY.

<u>NO.</u>	<u>PART NO.</u>	<u>PART NAME</u>	<u>QTY.</u>	<u>REMARKS</u>
1	35137	DECAL, READ MANUAL	1	
2	EM508594	DECAL, CAUTION READ MANUAL	2	
3	EM1009	DECAL, MAYCO PUMP	2	
4	807381	DECAL, GASOLINE ONLY	1	
5	345336	DECAL, OWNER'S MANUAL	1	
6	513580	DECAL, ENGINE RPM SETTING	1	
7	EM514187	DECAL, REFER TO OWNER'S MANUAL	1	
8	EM513165	DECAL, MAINTENACE	1	
9		DECAL, NAME PLATE.....	1	CONTACT MQ PARTS DEPT. W/ MODEL AND SERIAL NUMBER
10	DCL152	DECAL, CAUTION OIL LEVEL	1	
11	EM932	DECAL, CAUTION, MANIFOLD	1	
12	EM511709	DECAL, 800-30-MAYCO	1	

COMPENSATOR PISTON ROD ASSY.

NO.	PART NO.	PART NAME	QTY.	REMARKS
36	EM14805	ROD END ASSEMBLY	1	
38	EM968446	NUT, HEX 3/4"	2	
40	EM14332	ROD SPRING GUIDE 3/4"	1	
42	EM14331	SPRING BACKING PLATE	1	
44	EM14333	SPRING RETURN	1	
50	EM14806	PISTON GUIDE	1	
52	EM505490	FITTING, 45°	1	
54	EM903163	BEARING CUP	1	
56	EM20814	BEARING BUSHING	1	
58	EM20813	SPACER	1	
60	EM903162	BEARING CONE	2	
62	EM20816	O-RING	2	
64	EM505491	ELBOW, 45° 1/8"	2	
66	EM492399	BOLT, 1/2" NC X 3"	1	
68	EM621	WASHER 1/2"	2	
70	492584	NUT, LOCK 1/2" DIA. NC	1	
72	EM14335	PISTON, ROD	1	
74	EM14336	PISTON, GUIDE	1	
76	EM505489	FITTING	1	
78	EM14334	COMPENSATOR SPRING	1	
80	EM18409	O-RING	1	
82	EM14409	PLATE, OILER 6-1/16" OD	1	
84	EM14407	O-RING, OILER PLATE	1	
86	EM16493	FELT RING	2	
88	EM14410	HOLDER RING, FELT	2	
90	EM14408	RING, BRONZE	2	
92	EM98051Y	PISTON CUP, YELLOW	1	
92	EM14411	PISTON CUP, BLACK	1	
94	EM14412	BUSHING 1-1/4 CRS	2	
96	EM18409	O-RING	2	
98	EM14413	FACE PLATE	2	
102	EM26525	O-RING, LUBRICATION BOX	2	
104	EM968446	NUT, HEX 3/4"-10 GR5	3	
186	EM18800HD	CYLINDER, CONCRETE 2-1/2" LIP	1	

CONNECTING ROD - DRIVE SIDE ASSY.



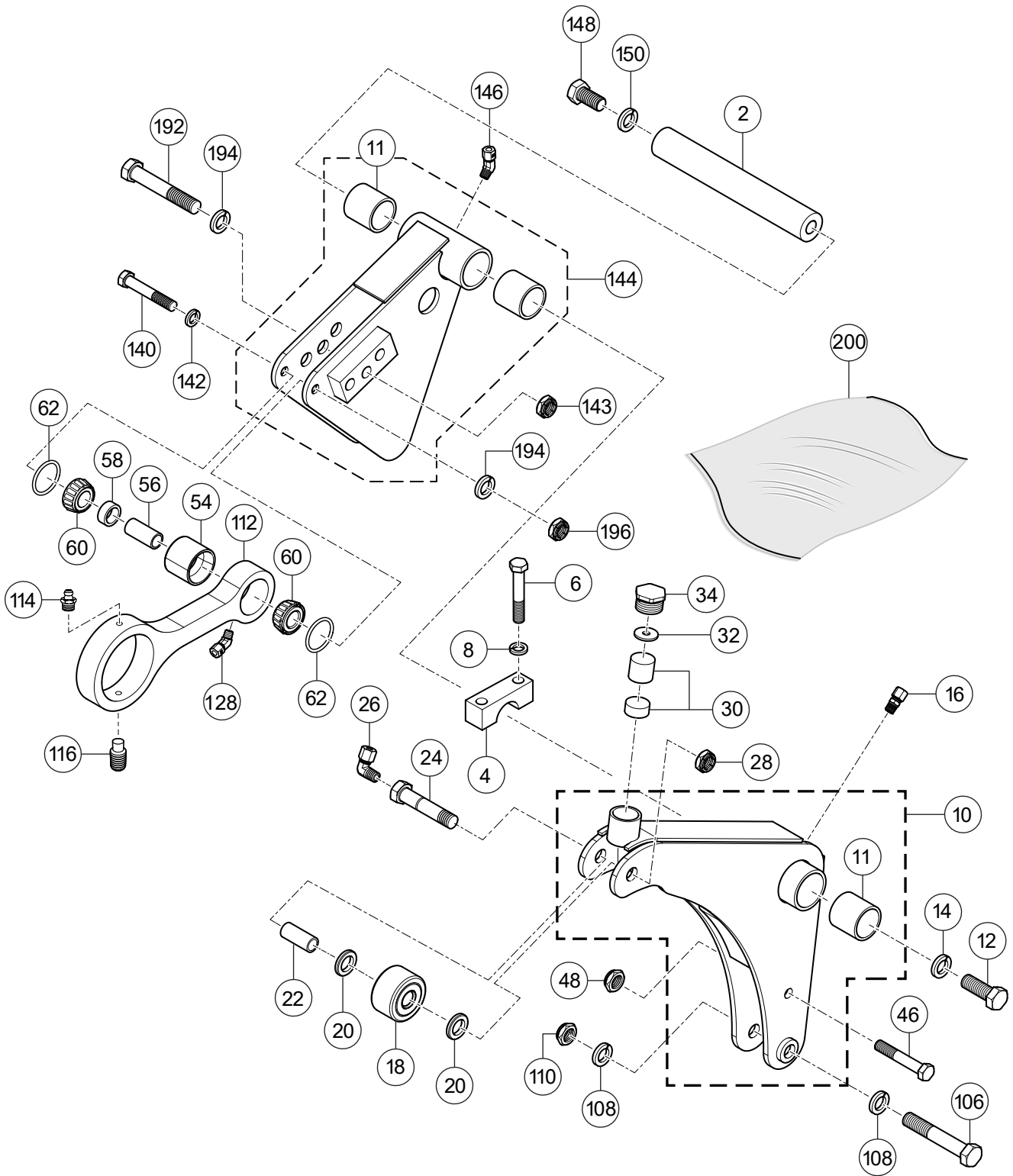
NOTES:

△ OFFERS TWO DIFFERENT TYPES OF ITEM 92.

CONNECTING ROD - DRIVE SIDE ASSY.

<u>NO.</u>	<u>PART NO.</u>	<u>PART NAME</u>	<u>QTY.</u>	<u>REMARKS</u>
54	EM903163	CUP, FOR BEARING	1	
56	EM20814	BEARING BUSHING	1	
58	EM20813	SPACER	1	
60	EM903162	BEARING CONE	2	
62	EM20816	O-RING	2	
86	EM16493	RING FELT	2	
88	EM14410	HOLDER RING, FELT	1	
90	EM14408	RING BRONZE	1	
92	EM98051Y	PISTON CUP, YELLOW	1	
92	EM14411	PISTON CUP, BLACK	1	
94	EM14412	BUSHING 1-1/4 CRS	1	
96	EM18409	O-RING	1	
98	EM14413	FACE PLATE	1	
100	EM14807HD	CYLINDER, CONCRETE 3-3/4" LIP	1	
102	EM26525	O-RING, LUBRICATION BOX	1	
152	EM14808	PISTON ROD ASSEMBLY	1	
154	EM505490	FITTING, 45°	1	
166	EM18409	O-RING, 1"	1	
168	EM14409	PLATE, OILER 6-1/16 OD	1	
170	EM14407	O-RING, OILER PLATE	1	
190	EM968446	NUT, HEX 3/4"-10 GR5	3	

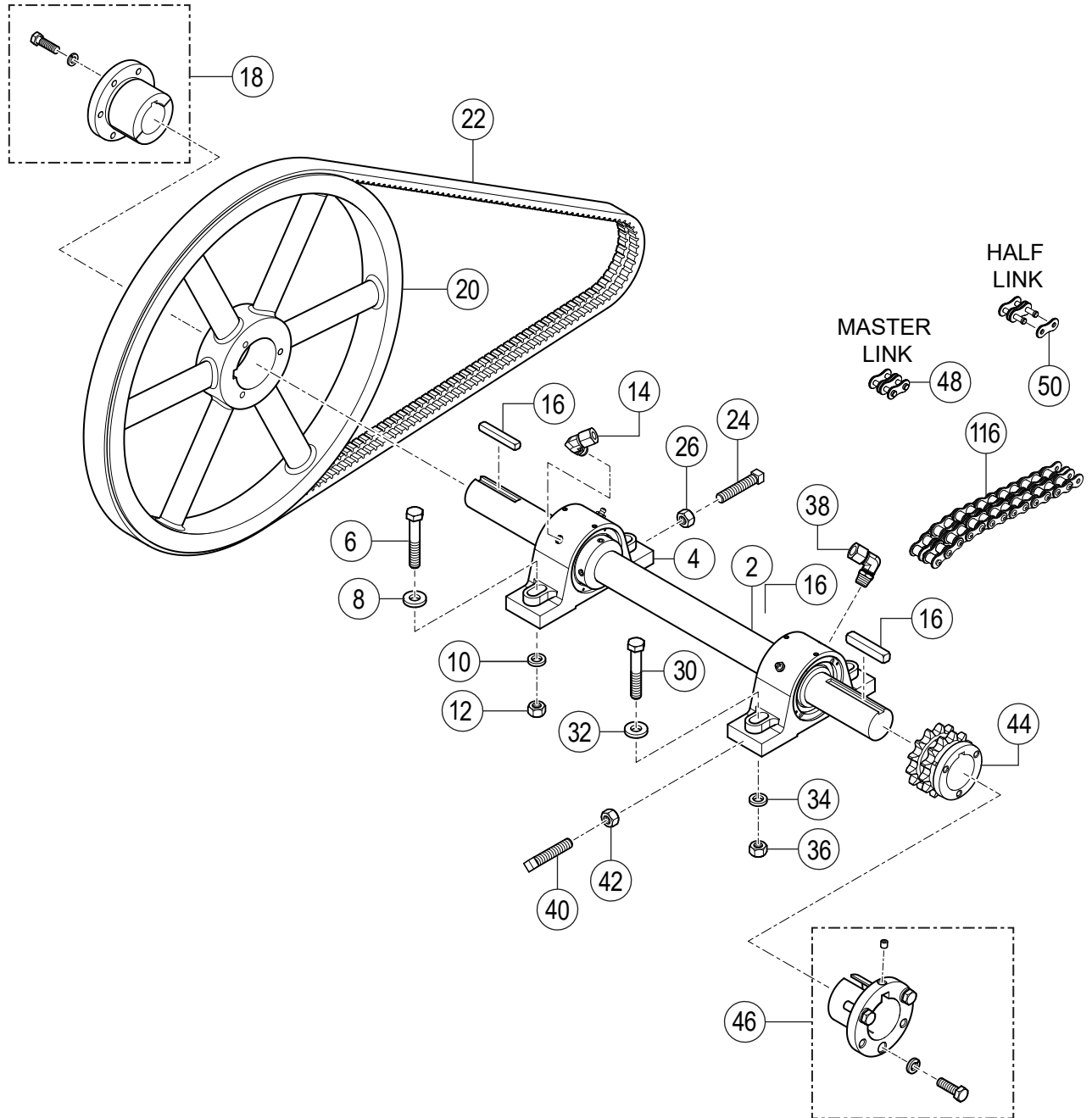
ROCKER ASSY.



ROCKER ASSY.

<u>NO.</u>	<u>PART NO.</u>	<u>PART NAME</u>	<u>QTY.</u>	<u>REMARKS</u>
2	EM14329	SHAFT ROCKER ARM	1	
4	EM14116	JOURNAL BLOCK	1	
6	EM963180	BOLT, HEX HEAD 3/4" X 5 GR5	2	
8	492628	WASHER, LOCK 3/4"	2	
10	EM14846	CAM ROCKER ARM WELDMNT	1	INCLUDES ITEMS W/#
11#	EM203262	BRONZE BUSHING	4	
12	502125	BOLT, 1" UNF X 2	1	
14	EM603	WASHER, LOCK 1"	1	
16	EM505489	FITTING	1	
18	EM98296	CAM YOKE ROLLER	1	
20	EM98298	SPACER	2	
22	EM98297	BUSHING	1	
24	EM20344	BOLT, GREASE	1	
26	EM505491	ELBOW 45° 1/8"-7/16"	1	
28	EM417	NUT HEX 1"	1	
30	EM402456	FELT	2	
32	EM923157	SPACER WASHER	1	
34	EM20349	PLUG, OIL	1	
46	EM963180	BOLT HEX HEAD 3/4" X 5 GR5	1	
48	EM417	NUT, CRIMPED 3/4"-10 NC NYLON	1	
54	EM903163	BEARING, CUP	1	
56	EM20814	BEARING BUSHING	1	
58	EM20813	SPACER	1	
60	EM903162	BEARING CONE	2	
62	EM20816	O-RING	2	
106	505120	BOLT, 1"NF X 6"	1	
108	EM603	WASHER, LOCK 1"	2	
110	EM417	NUT HEX 1"	1	
112	EM20364	CONNECTING ROD	1	
114	EM505489	FITTING	1	
116	EM702	SCREW ALLEN HD. 3/8"-16NC X 3/4"	1	
128	EM505490	FITTING 45°	1	
140	505120	BOLT 1"NF X 6"	1	
142	EM603	WASHER, LOCK 1"	1	
143	EM417	NUT, HEX 1"	1	
144	EM14328	ROCKER ARM ASSEMBLY	1	INCLUDES ITEMS W/\$
146	EM505490	FITTING, 45°	1	
148	502125	BOLT, 1"UNF X 2	1	
150	EM603	WASHER, LOCK 1"	1	
192	EM202	BOLT, 1"NF X 6"	1	
194	EM603	WASHER, LOCK 1"	2	
196	EM417	NUT, HEX 1"	1	
200	EM20328TKIT	BEARING KIT, CONNECTING/DRIVE RODS	1	

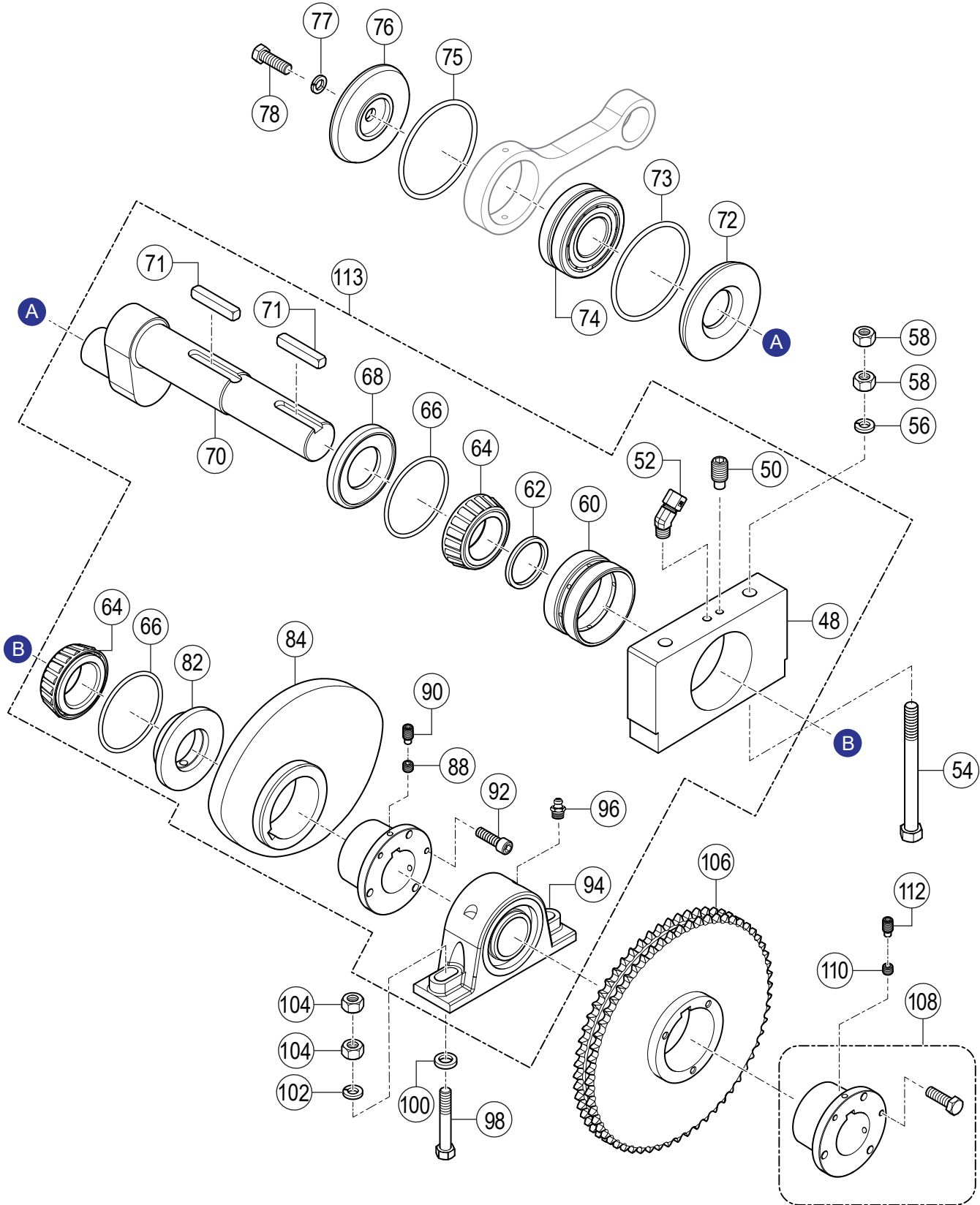
COUNTER-SHAFT ASSY.



COUNTER-SHAFT ASSY.

<u>NO.</u>	<u>PART NO.</u>	<u>PART NAME</u>	<u>QTY.</u>	<u>REMARKS</u>
2	EM513073	COUNTER-SHAFT	1	
4	EM14311	BEARING	2	
6	EM492399	BOLT, 1/2"NC X 3" G8	2	
8	EM621	WASHER, 1/2" SPECIAL	2	
10	6109180	WASHER, LOCK 1/2" DIA.	2	
12	6109160	NUT, HEX 1/2" DIA-NC	2	
14	EM505491	ELBOW, 45° 1/8"	1	
16	EM513232	KEY, 3/8" X 65MM	2	
18	EM14314	BUSHING, PULLEY	1	
20	EM14313	PULLEY	1	
22	EM14315	BELT, DOUBLE	1	
24	505123	BOLT, HEX 1/2 X 2-1/2"	2	
26	6109160	NUT, HEX 1/2"-13 DIA-NC	2	
30	EM492399	BOLT, 1/2"NC X 3" G8	2	
32	EM621	WASHER, 1/2" SPECIAL	2	
34	6109180	WASHER, LOCK 1/2" DIA.	2	
36	6109160	NUT, HEX 1/2" DIA-NC	2	
38	EM505491	ELBOW 45° 1/8"	1	
40	505123	BOLT, HEX 1/2 X 2-1/2"	1	
42	6109160	NUT, HEX 1/2" DIA-NC	1	
44	EM14318	SPROCKET, 13 TEETH	1	
46	EM14319	BUSHING	1	
48	EM26314	LINK MASTER	1	
50	EM26313	HALF LINK	1	
116	EM14308	CHAIN, W/MASTER LINK	1	

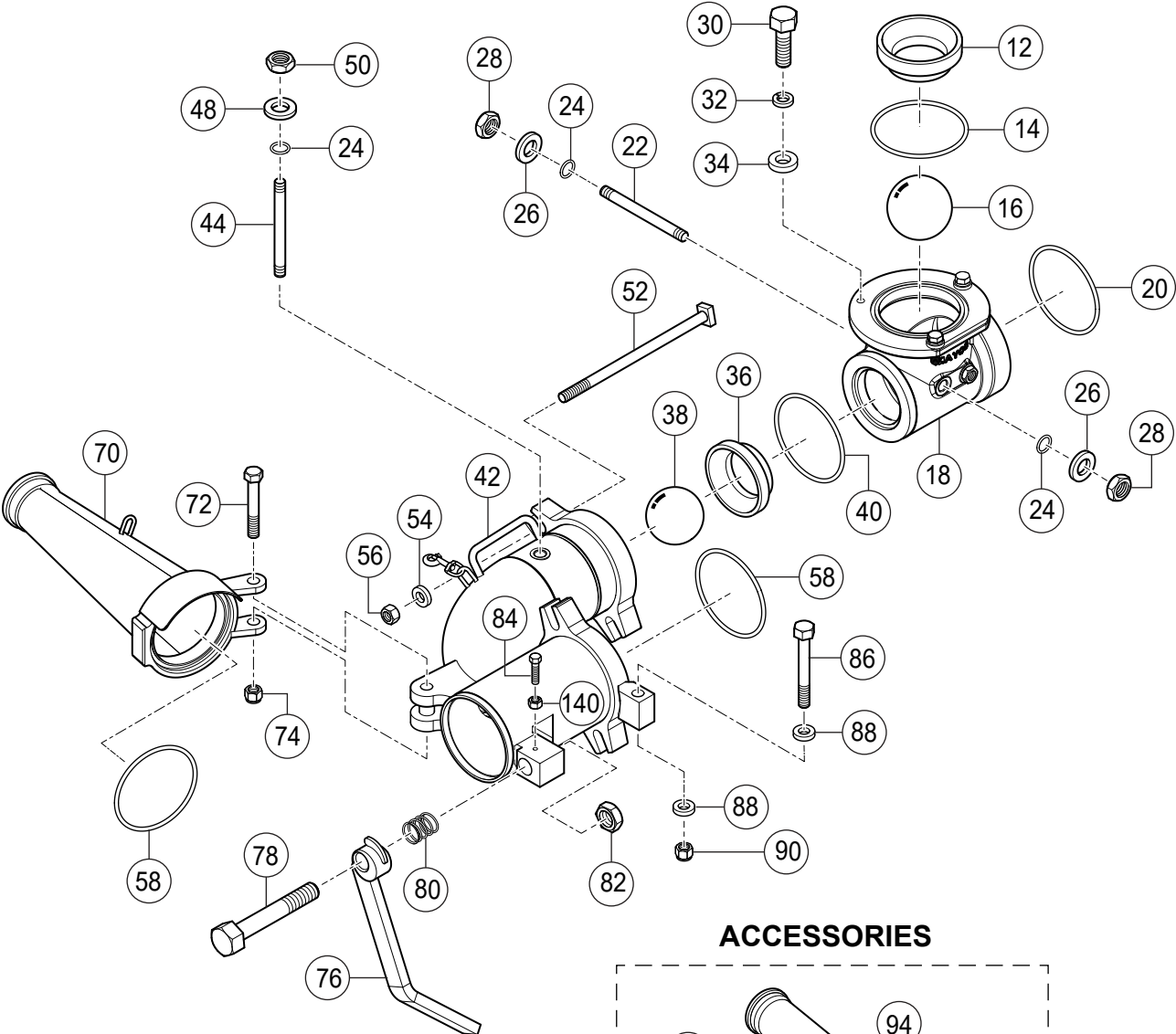
CRANKSHAFT ASSY.



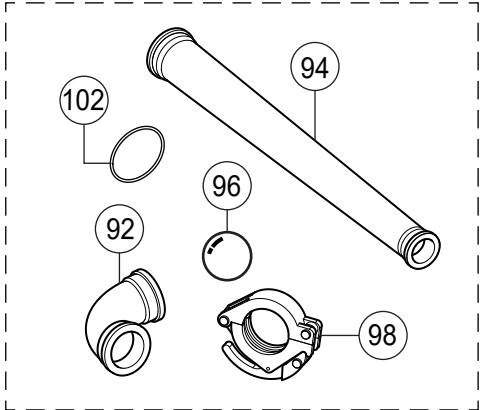
CRANKSHAFT ASSY.

<u>NO.</u>	<u>PART NO.</u>	<u>PART NAME</u>	<u>QTY.</u>	<u>REMARKS</u>
48#	EM14303	BEARING BLOCK	1	
50#	EM702	SCREW, ALLEN 3/8"-16NC X 3/4"	1	
52#	EM505490	FITTING, 45°	1	
54	EM129	BOLT, 3/4"NC X 8-1/2" G8	2	
56	EM923350	WASHER, LOCK 3/4"	2	
58	EM968446	NUT, HEX 3/4"	4	
60#	EM14324	CUP, BEARING	1	
62#	EM14323	SPACER BEARING CONE	1	
64#	EM14325	CONE, BEARING	2	
66#	EM14326	O-RING	2	
68#	EM14322	SPACER, INBOARD	1	
70#	EM98043	CRANKSHAFT, FORGED	1	
71#	EM14306	KEY, CRANKSHAFT 5/8" SQ X 3"	2	
72	EM20338	SPACER, INBOARD CONNECTING ROD	1	
73	EM20336	O-RING	1	
74	EM903176	BEARING	1	
75	EM20336	O-RING	1	
76	EM402996	SEAL PLATE	1	
77	EM923348	WASHER, LOCK 5/8"	1	
78	EM104	BOLT 5/8-11X2"	1	
82#	EM14302	SPACER CAM BUSHING	1	
84#	EM14300	CAM ASSEMBLY	1	
86#	EM14301	BUSHING, CAM	1	
88#	EM703	SCREW, ALLEN 3/8"	3	
90#	EM702	SCREW, ALLEN 3/8"-16NC X 3/4"	3	
92#	521575	BOLT 3/8"NC X 1-1/4" G8	3	
94#	EM14304	BEARING-CAM COMPLETE	1	
96	EM505489	FITTING	1	
98	EM128	BOLT, 5/8" DIA	2	
100	EM620	WASHER, 5/8	2	
102	EM923348	WASHER, LOCK 5/8"	2	
104	EM968013	NUT 5/8"	4	
106	EM14307	SPROCKET, 60 TEETH	1	
108	EM14309	BUSHING	1	
110	EM702	SCREW, ALLEN 3/8"-16NC X 3/4" BLACK	1	
112	EM703	SCREW ALLEN 3/8"	1	
113	EM98043K	CRANKSHAFT ASSEMBLY.....	1.....	INCLUDES ITEMS W/#

MANIFOLD ASSY.



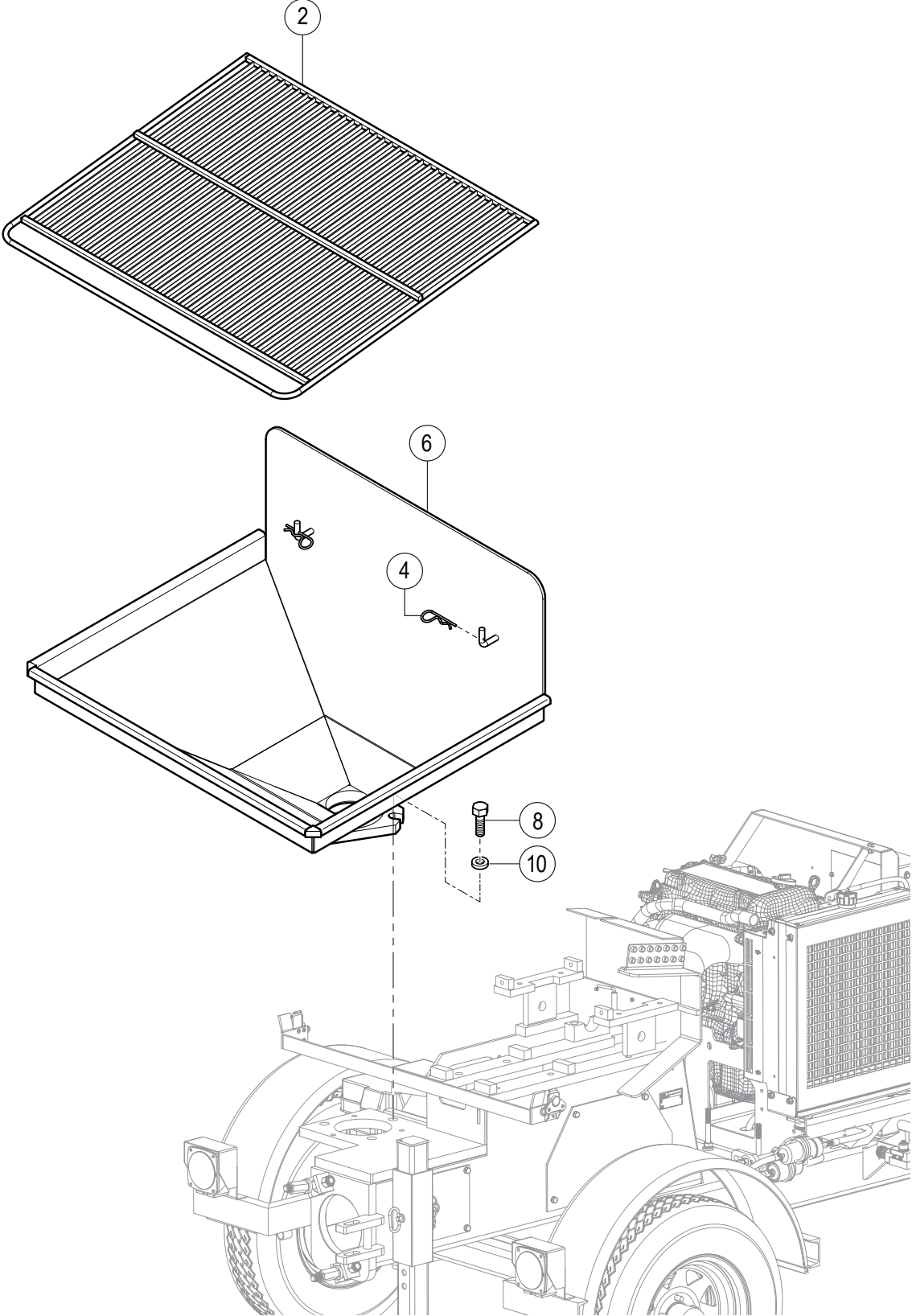
ACCESSORIES



MANIFOLD ASSY.

<u>NO.</u>	<u>PART NO.</u>	<u>PART NAME</u>	<u>QTY.</u>	<u>REMARKS</u>
12	EM14843	SEAT, DURA UPPER	1	
14	EM18801	O-RING	1	
16	EM18804	BALL, 4-1/2" STEEL	1	
18	EM14801	MANIFOLD T ASSEMBLY	1	
20	EM18801	O-RING	1	
22	EM136	PIN BALL STOP	2	
24	EM18409	O-RING 1"	6	
26	EM618	SPACER	4	
28	EM968266	NUT, JAM HEX	4	
32	EM923348	WASHER, LOCK 5/8"	3	
34	EM620	WASHER, FLAT 5/8"	3	
36	EM14842	SEAT, DURA LOWER	1	
38	EM14818	BALL, HOLLOW 4"	1	
40	EM18801	O-RING	1	
42	EM14819A	MANIFOLD ASSEMBLY	1	
44	EM136	PIN BALL STOP	1	
48	EM618	SPACER	2	
50	EM968266	NUT, JAM HEX	2	
52	EM137	TEE-SLOT 3/4-10 X 14"	2	
54	EM619	WASHER 3/4"	2	
56	EM968446	NUT, HEX 3/4"	2	
58	EM18801	O-RING	2	
70	EM14850	EXHAUST GATE "H/D"	1	
72	EM963180	BOLT, HEX HEAD 3/4" X 5 GR 5	1	
74	EM505069	NUT, CRIMPED 3/4-10	1	
76	EM14845	ARM CLAMP	1	
78	EM135	BOLT, 1-1/4"NF X 7" G8	1	
80	EM14810	SPRING JOLTER	1	
82	EM451	NUT, LOCK 1-1/4"-12	1	
84	EM963057	BOLT 3/8" DIA	1	
86	EM509329	BOLT 3/4-10X6 HHC	1	
88	EM619	WASHER 3/4"	2	
90	EM505069	NUT, CRIMPED 3/4-10	1	
92	EM23946	ELBOW 3" X 90 DEG. H-D	1	
94	EM28003DD	CONCRETE TUBE REDUCTION	1	
96	EM2COB	BALL, CLEAN-OUT 2" ORANGE	1	
98	EM28904	COUPLING, 3" CF ADJUSTABLE	2	
102	EM18801	O-RING	2	
140	1456	NUT, HEX 3/8"-16	1	

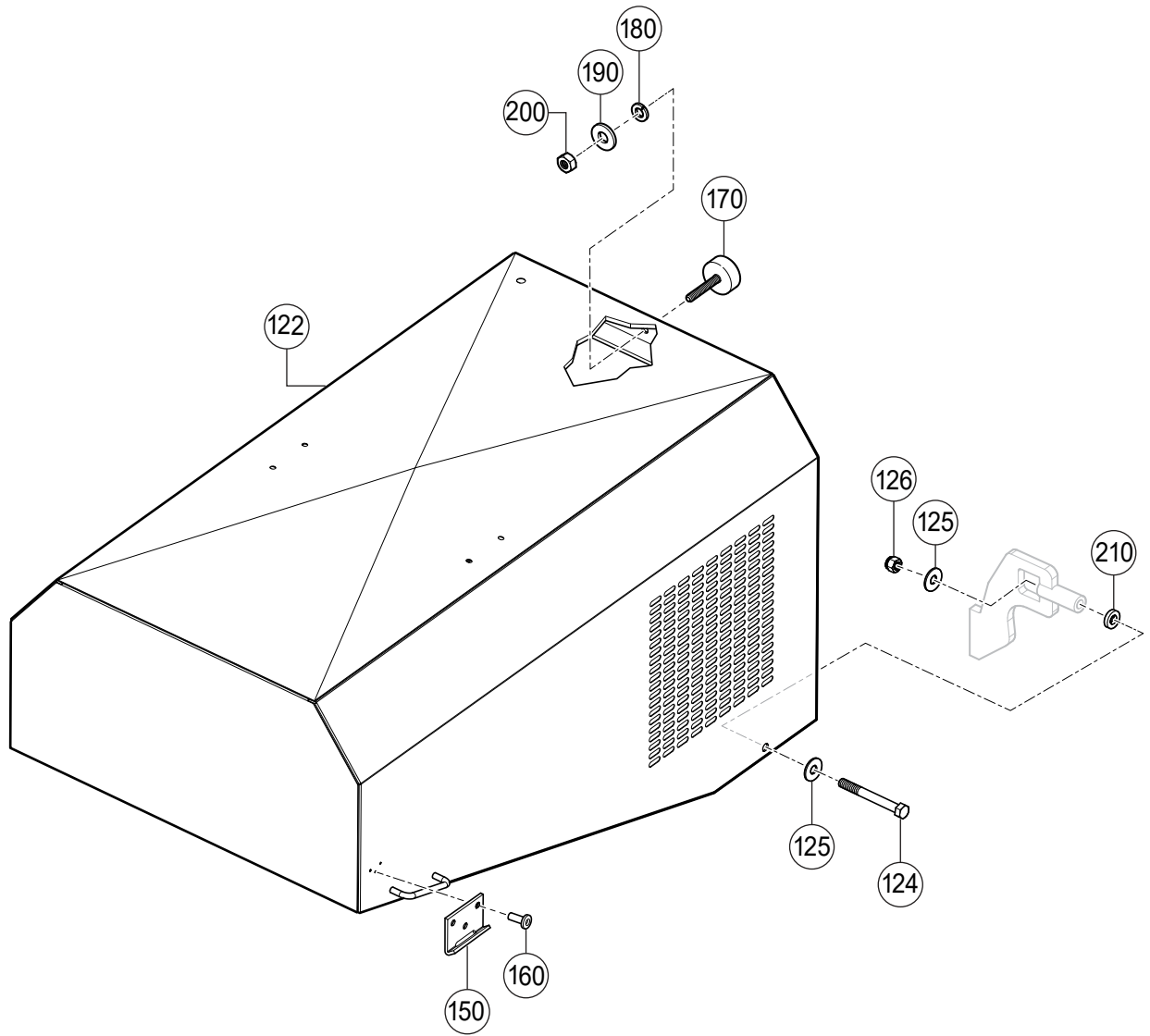
HOPPER ASSY.



HOPPER ASSY.

<u>NO.</u>	<u>PART NO.</u>	<u>PART NAME</u>	<u>QTY.</u>	<u>REMARKS</u>
2	EM14159	HOPPER SCREEN ASSEMBLY	1	
4	EM925191	PIN HAIR 3/16" WIRE SIZE	2	
6	EM14141	HOPPER ASSEMBLY	1	
8	EM104	BOLT 5/8-11X2"	3	
10	EM507599	WASHER, FLAT 5/8"	3	

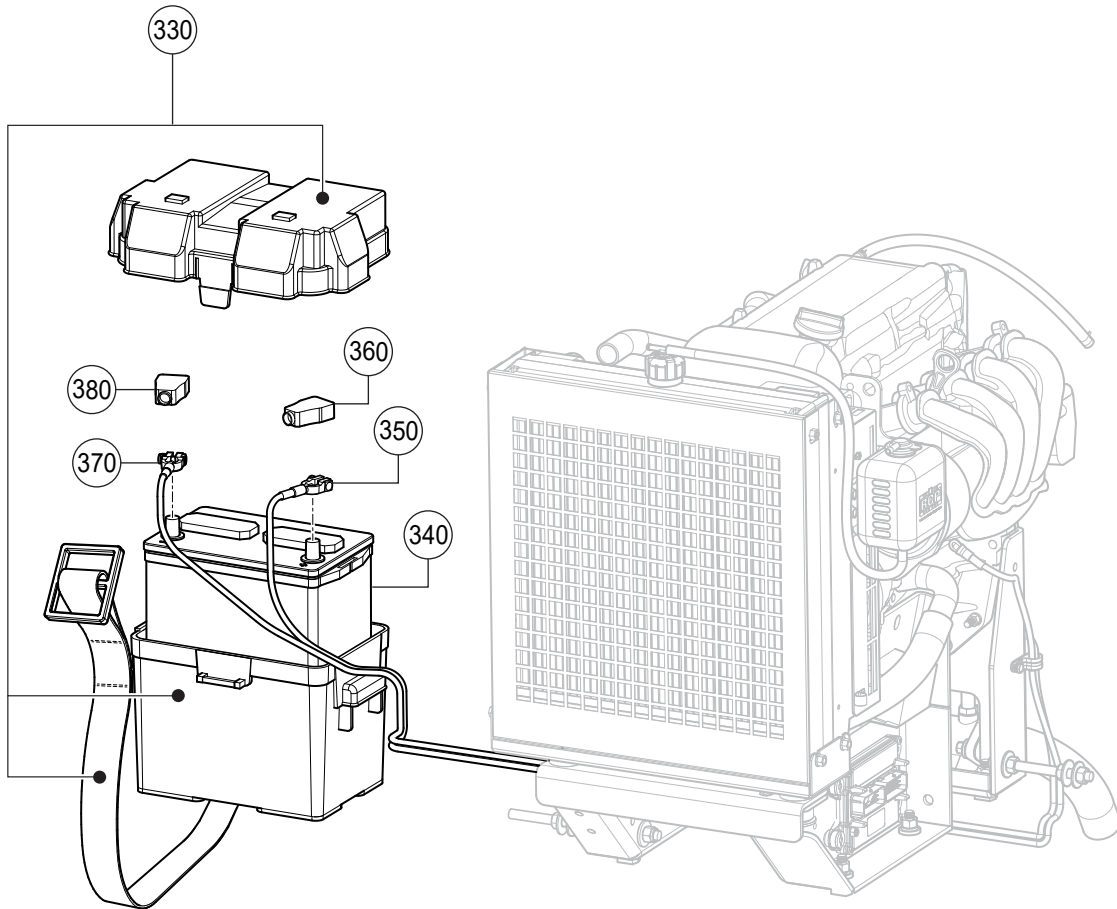
HOOD ASSY.



HOOD ASSY.

<u>NO.</u>	<u>PART NO.</u>	<u>PART NAME</u>	<u>QTY.</u>	<u>REMARKS</u>
122	EM516883	HOOD ASSEMBLY	1	
124	503111	SCREW, HHC 1/2-13 X 4-1/2	2	
125	6109170	WASHER, FLAT 1/2" DIA.	4	
126	EM406	NUT, LOCK 1/2" DIA. NC	2	
150	EM517296	KEEPER	2	
160	491754	RIVET, POP	6	
170	513955	BUMPER, RUBBER	1	
180	2101402	WASHER, LOCK 1/4" DIA	1	
190	EM923057	WASHER, FLAT 1/4"	1	
200	2101428	NUT, HEX 1/4-20	1	
210	EM621	WASHER, FLAT 1/2" SPECIAL	2	

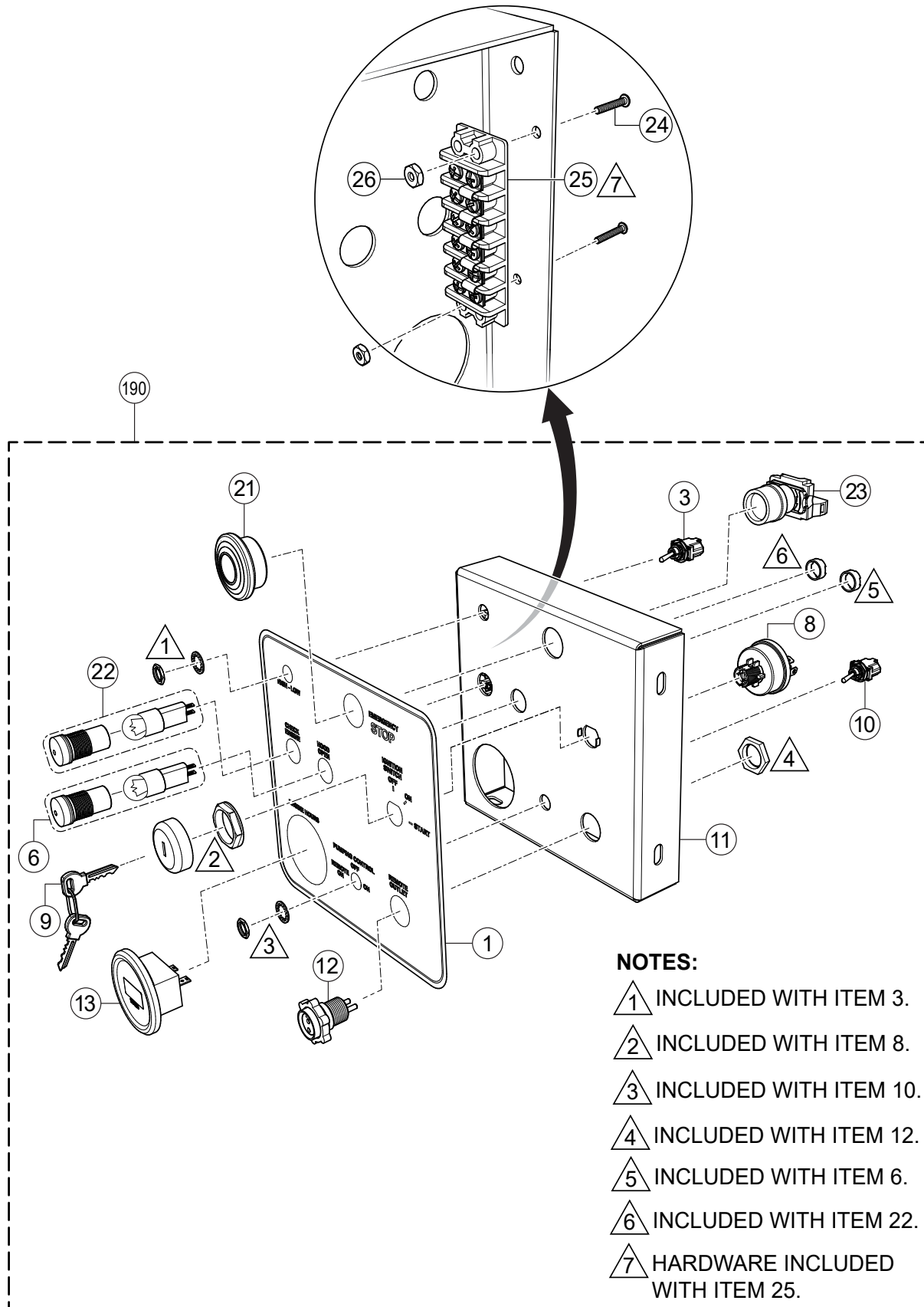
BATTERY ASSY.



BATTERY ASSY.

<u>NO.</u>	<u>PART NO.</u>	<u>PART NAME</u>	<u>QTY.</u>	<u>REMARKS</u>
330	10318	BATTERY BOX, GROUP 24	1	
340	EM491344	BATTERY, 12V	1	
350	807646	BATTERY CABLE, RED.....	1.....	(L=2040 MM = 6.7 FT)
360	506266	BATTERY, TERMINAL COVER	1	
370	807647	BATTERY CABLE, BLACK	1.....	(L=1900 MM = 6.2 FT)
380	505624	BATTERY, TERMINAL COVER	1	

CONTROL BOX ASSY.



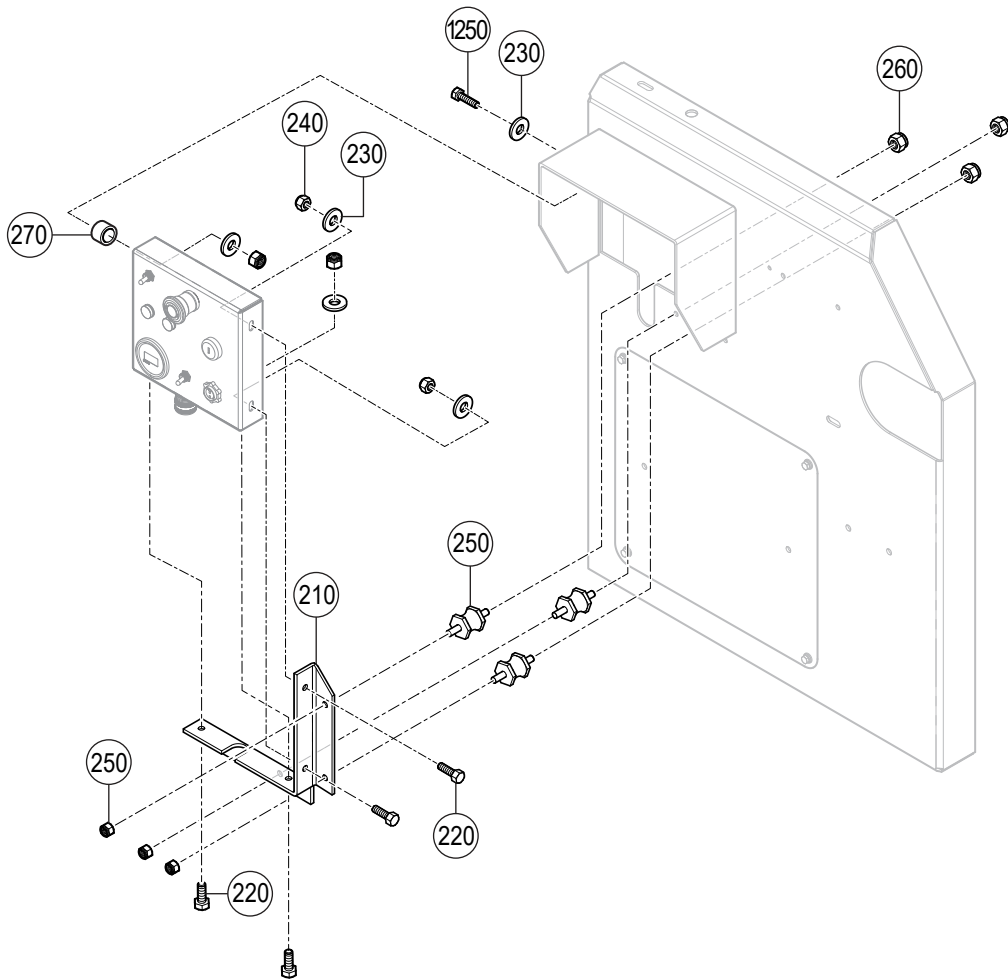
NOTES:

- ① INCLUDED WITH ITEM 3.
- ② INCLUDED WITH ITEM 8.
- ③ INCLUDED WITH ITEM 10.
- ④ INCLUDED WITH ITEM 12.
- ⑤ INCLUDED WITH ITEM 6.
- ⑥ INCLUDED WITH ITEM 22.
- ⑦ HARDWARE INCLUDED WITH ITEM 25.

CONTROL BOX ASSY.

<u>NO.</u>	<u>PART NO.</u>	<u>PART NAME</u>	<u>QTY.</u>	<u>REMARKS</u>
1\$	EM517174	FRONT PANEL OVERLAY	1	
3\$	EM98036	SWITCH, THROTTLE CONTROL	1	
6\$	EM517176	RED PILOT LIGHT W/BULB	1	
8\$	10958	IGNITION SWITCH	1	INCLUDES ITEMS W/#
9#	11078	IGNITION SWITCH KEYSET	1	
1\$	EM40711	SWITCH, PUMPING CONTROL	1	
11\$	EM517184	CONTROL BOX	1	
12\$	EM26789	RECEPTACLE (REMOTE)	1	
13\$	EM18706	HOURMETER	1	
21\$	EM517177	EMERGENCY STOP BUTTON	1	
22\$	EM517175A	AMBER PILOT LIGHT W/BULB	1	
23\$	EM517186	CONTACT BLOCK, EMERGENCY SWITCH	1	
24%\$		SCREW M3 X 1/2"	2	NOT SOLD SEPARATELY
25\$	EM515421	TERM. BLOCK, 6-POS. W/HARDWARE	1	INCLUDES ITEMS W/%
26%\$		NUT /3 X 1/2"	2	NOT SOLD SEPARATELY
190	EM517183	CONTROL BOX ASSEMBLY	1	INCLUDES ITEMS W/\$

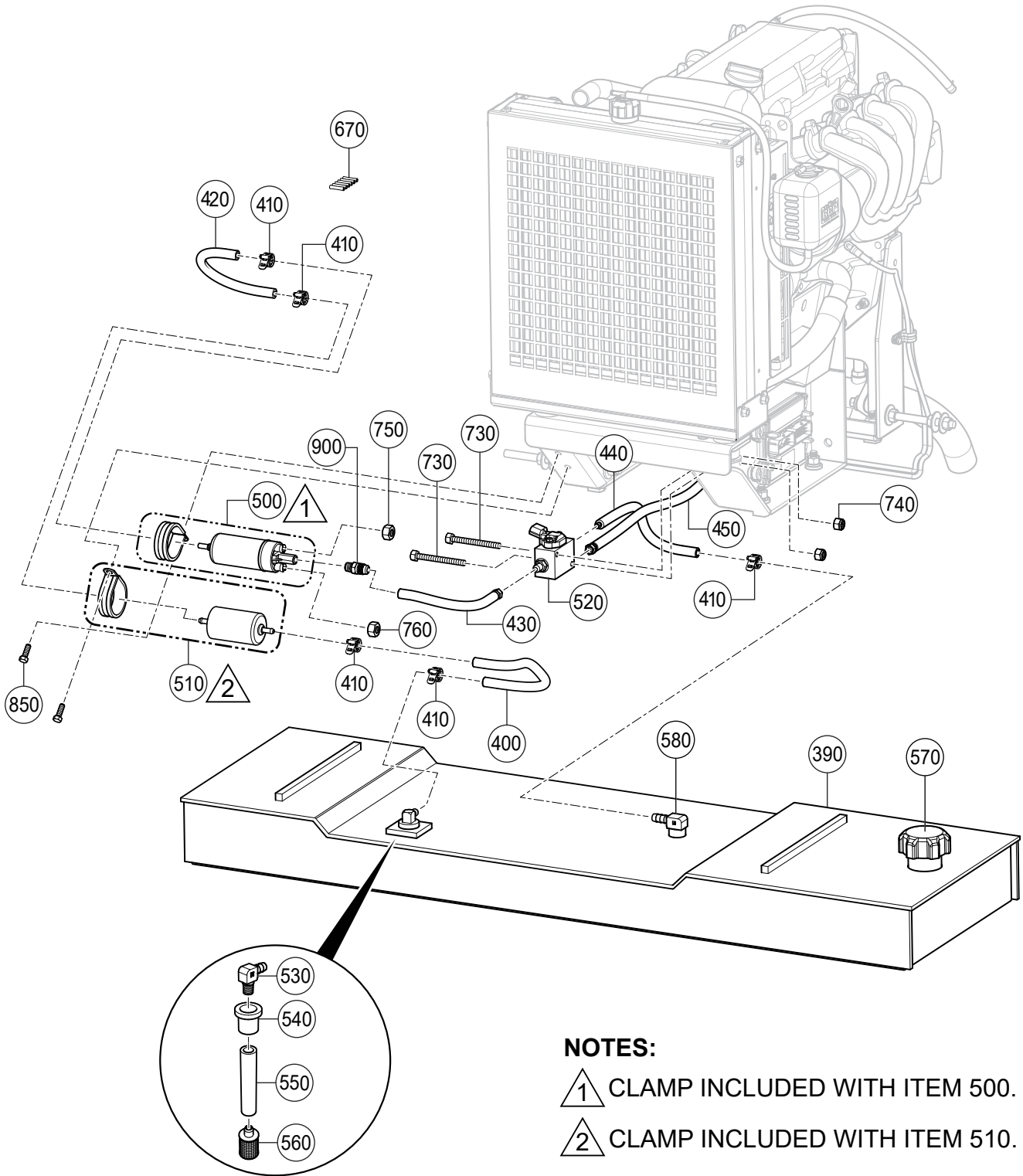
CONTROL BOX MOUNTING ASSY.



CONTROL BOX MOUNTING ASSY.

<u>NO.</u>	<u>PART NO.</u>	<u>PART NAME</u>	<u>QTY.</u>	<u>REMARKS</u>
210	515455	SUPPORT SIDE	1	
220	492356	BOLT, 1/4" X 3/4"	4	
230	EM923057	WASHER, 1/4"	6	
240	492581	NUT, 1/4"-20 NYLON LOCKNUT	5	
250	EM513110	SHOCK MOUNT	3	
260	508451	LOCK, NUT 1/4-28 NF	6	
270	520240	SPACER	1	
1250	492357	BOLT, 8 GR	1	

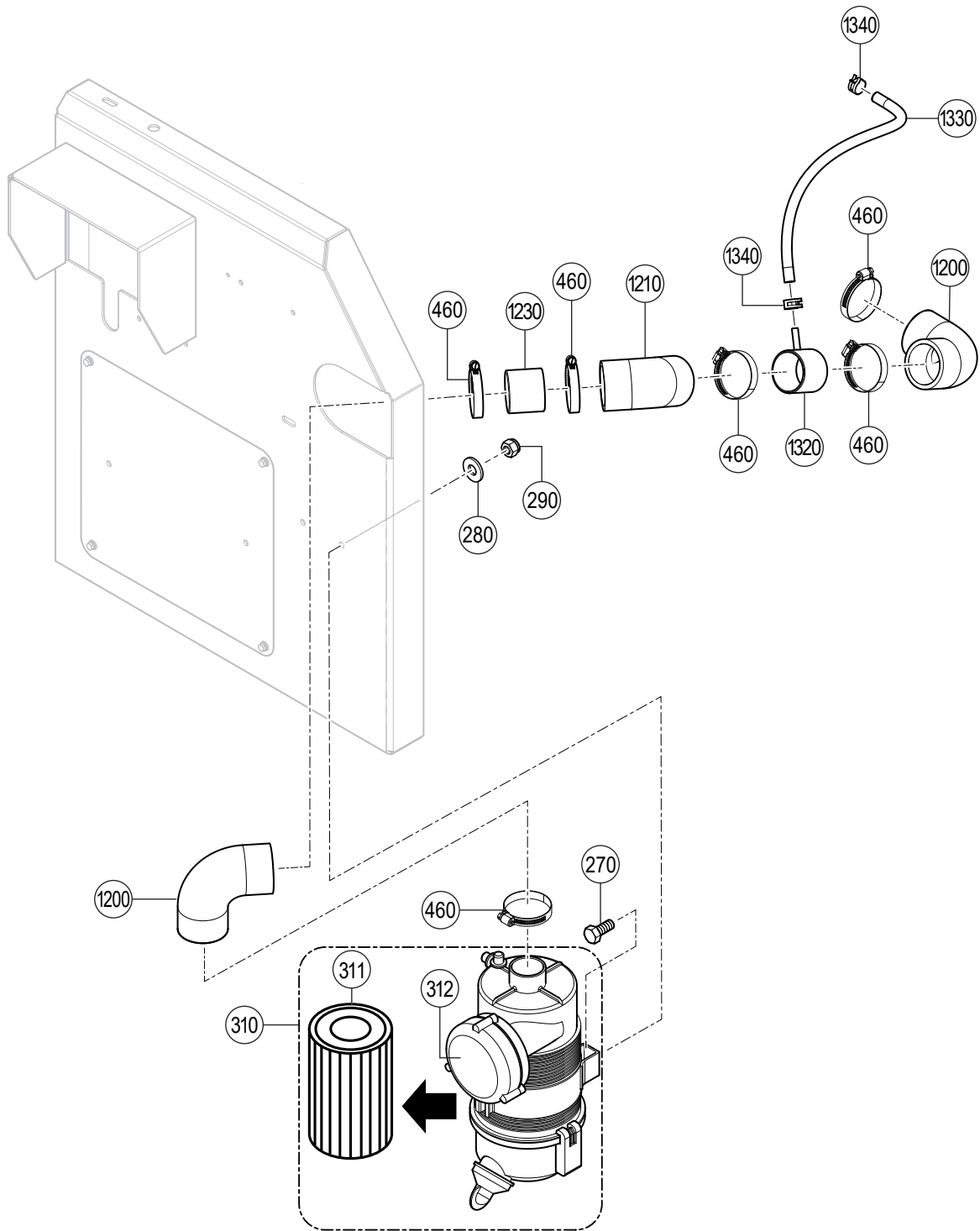
FUEL TANK ASSY.



FUEL TANK ASSY.

<u>NO.</u>	<u>PART NO.</u>	<u>PART NAME</u>	<u>QTY.</u>	<u>REMARKS</u>
390	EM517433	TANK, FUEL	1	
400	518577	HOSE, 5/16" SAE (400 MM= 1.3 FT)	1.....	1 PC. = 1 FT.
410	506208	CLAMP	5	
420	518578	HOSE, 5/16" SAE (500 MM= 1.6 FT)	1.....	1 PC. = 1 FT.
430	517529	HOSE, 5/16" SAE (825 MM= 2.7 FT)	1.....	1 PC. = 1 FT.
440	517528	HOSE, 5/16" SAE (700 MM= 2.3 FT)	1.....	1 PC. = 1 FT.
450	517530	HOSE, 5/16" SAE (855 MM= 2.8 FT)	1.....	1 PC. = 1 FT.
500	201284	FUEL PUMP W/CLAMP	1	
510	201287	IN-LINE FUEL FILTER W/CLAMP	1	
520	201341	FUEL REGULATOR	1	
530	EM516568	90° ELBOW HOSE FITTING	1	
540	19633	RUBBER BUSHING, FUEL	1	
550	60058	HOSE, FUEL, L=10"	1.....	1 PC. = 1 FT.
560	12009	FUEL STRAINER	1	
570	EM517502	CAP, FUEL	1	
580	EM20426	90° ELBOW FITTING 1/4"	1	
670	EM508242	CONNECTOR	6	
730	2508	SCREW, HHC 1/4-20 X 2-1/4"	2	
740	492581	NUT 1/4"-20 NYLON LOCKNUT	2	
750	DULT100129	NUT M5	1	
760	517368	NUT M4	1	
850	0202	SCREW, HHC 5/16" X 18 X 1"	2	
900	517550	ADAPTER	1	

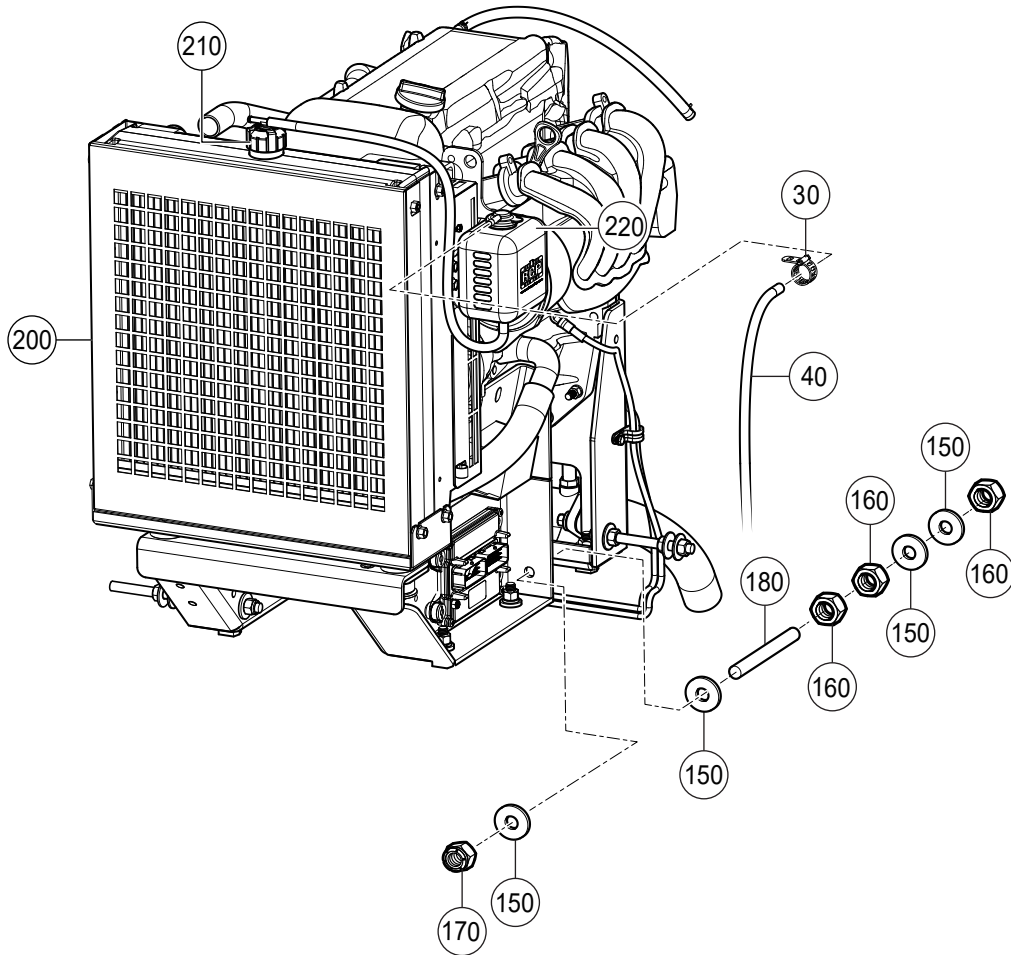
AIR CLEANER ASSY.



AIR CLEANER ASSY.

<u>NO.</u>	<u>PART NO.</u>	<u>PART NAME</u>	<u>QTY.</u>	<u>REMARKS</u>
270	492363	BOLT, 5/16" DIA. NC X 3/4" G-5	4	
280	EM923023	WASHER, FLAT 5/16"	6	
290	2105164	NUT, NYLON 5/16"-18	5	
310	EM98076	AIR FILTER W/SUPPORTS	1.....	INCLUDES ITEMS W/#
311#	2E1	ELEMENT AIR CLEANER	1	
312#	EM98162	PRE-CLEANER	1	
460	515802	CLAMP	6	
1200	EM807703	90° ELBOW	2	
1210	807704	45° ELBOW	1	
1230	807706	ELBOW, UNION TUBE	1	
1320	807869	TEE-CONNECTOR	1	
1330	520612	HOSE, BREATHER	1	
1340	802575	CLAMP	2	

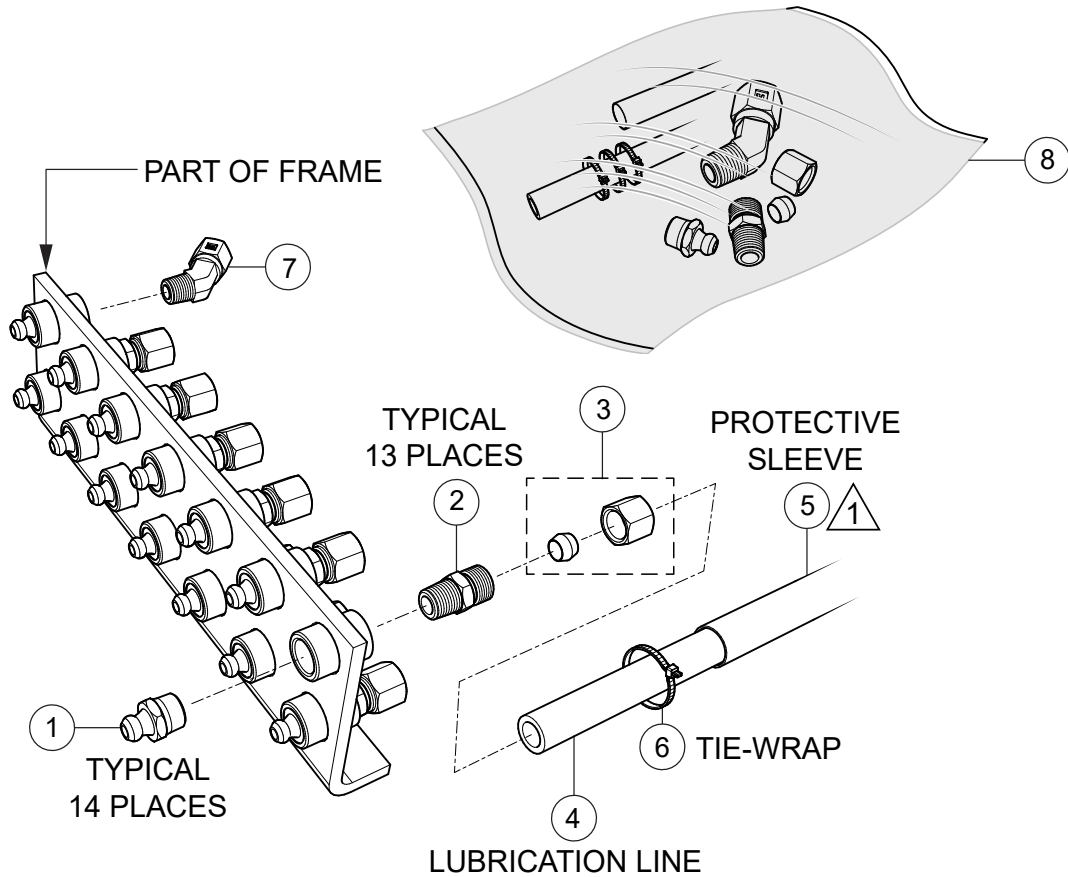
RADIATOR ASSY.



RADIATOR ASSY.

<u>NO.</u>	<u>PART NO.</u>	<u>PART NAME</u>	<u>QTY.</u>	<u>REMARKS</u>
30	506208	CLAMP	1	
40	514536	HOSE, 5/16"	1	
150	6109170	WASHER, FLAT 1/2" DIA.	12	
160	6109160	NUT, HEX 1/2" DIA-NC	9	
170	492584	NUT, LOCK 1/2" DIA-NC	3	
180	513089	ENGINE TENSIONER STUD	1	
200	203522	RADIATOR ASSEMBLY	1	
210	200356	CAP, RADIATOR	1	
220	200921	RESERVOIR, OVERFLOW	1	

LUBRICATION PANEL ASSY.



NOTES:

- 1 PLACE PROTECTIVE SLEEVE OVER LUBRICATION LINES 1 THROUGH 6.

POSITION	LOCATION	LENGTH OF LINES
1	COMPENSATOR ROD	28"
2	COMPENSATOR ROD	31"
3	COMPENSATOR ROD	28"
4	LOWER ROCKER ARM COMPENSATOR ROD	34"
5	LOWER CONNECTING ROD- DRIVE SIDE	10"
6	LOWER ROCKER ARM - DRIVE SIDE	15"
7	UPPER ROCKER ARM - COMPENSATOR SIDE	28"
8	UPPER ROCKER ARM - DRIVE SIDE	26"
9	COUNTER SHAFT BEARING - SPROCKET SIDE	20"
10	COUNTER SHAFT - PULLEY SIDE	20"
11	UPPER CONNECTING ROD - DRIVE SIDE	40"
12	CRANKSHAFT BEARING BLOCK	42"
13	CAM BEARING	42"
14	CRANKSHAFT BEARING FLANGE	20"
	TOTAL LENGTH OF LINES REQUIRED	384"

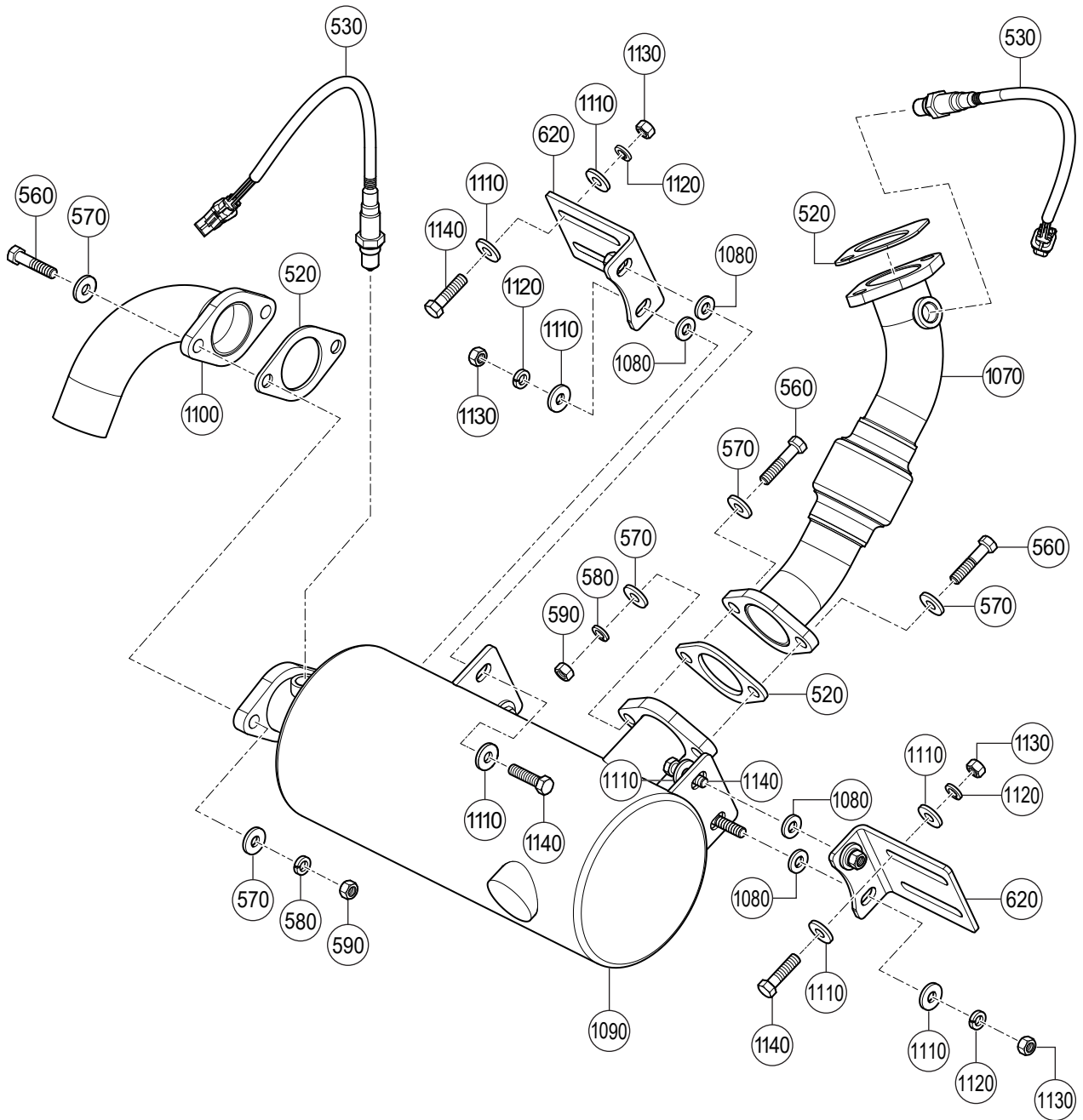
LUBRICATION PANEL ASSY.

<u>NO.</u>	<u>PART NO.</u>	<u>PART NAME</u>	<u>QTY.</u>	<u>REMARKS</u>
1\$	EM916001	FITTING, GREASE 1/8" NPT	14	
2\$	EM505489	STRAIGHT FITTING 1/8" NPT	13	
3\$	505534	COUPLING W/NUT 1/8" NPT	14	
4\$	EM505516	PLASTIC HOSE LINE 1/4" DIA.....	AR.....	1 PC. = 1 FT.
5\$	EM490531	PROTECTIVE SLEEVE 3/8" (HOSE)	AR.....	1 PC. = 1 FT.
6\$	EM491028	TIE-WRAP 2.5 X 95 MM	AR	
7\$	EM505490	FITTING, 45° ELBOW	1	
8	EM512659	KIT, LUBRICATION.....	1.....	INCLUDES ITEMS W/\$

ENGINE MOUNTING ASSY.

<u>NO.</u>	<u>PART NO.</u>	<u>PART NAME</u>	<u>QTY.</u>	<u>REMARKS</u>
10	EM807532	ENGINE, ZENITH 1.6L GAMA	1	
20	807643	REAR ENGINE SUPPORT	1	
120	6109180	WASHER, LOCK 1/2" DIA.	6	
130	EM621	WASHER, 1/2" SPECIAL	6	
140	6109160	NUT, HEX 1/2" DIA-NC	6	
150	6109170	WASHER, FLAT 1/2" DIA.	12	
160	6109160	NUT, HEX 1/2" DIA-NC	9	
170	492584	NUT, LOCK 1/2" DIA-NC	3	
440	517528	HOSE, 5/16" SAE (700 MM=2.3 FT)	1	1 PC. = 1 FT.
480	513618	90° ELBOW	1	
490	513620	HOSE	1	
500	513619	PLUG, HOSE	1	
770	EM513094	BOLT, 1/2"NC X 1-3/4"	6	
780	EM217	BOLT	1	
790	0166A	WASHER, LOCK 3/8" DIA.	1	
800	1456	NUT, HEX 3/8"	1	
850	0202	SCREW, HHC 5/16 X 18 X 1"	2	
860	EM923343	WASHER, LOCK 5/16"	2	
870	2105164	NUT, HEX 5/16" DIA-NC	2	
890	517494	SPACER	1	
930	517715	90° ELBOW	1	
1005	803906	O-RING	1	
1010	803913	ADAPTOR	1	
1040	807652	MOTOR TENSIONER ADJUST SCREW, 220	1	
1050	807653	MOTOR TENSIONER, ADJUST SCREW,150	1	
1095	492356	BOLT, 1/4" X 3/4"	2	
1150	DULT100518	WASHER, FLAT 1/4"	8	
1160	DULT100080	NUT, NYLON M10 G8.8	4	
1170	DULT100284	BOLT, M10X55 G8.8	4	
1180	517155	CLAMP, 3/4"	1	
1190	2101402	WASHER, LOCK 1/4" DIA.	2	
1320	807869	TEE-CONNECTOR	1	

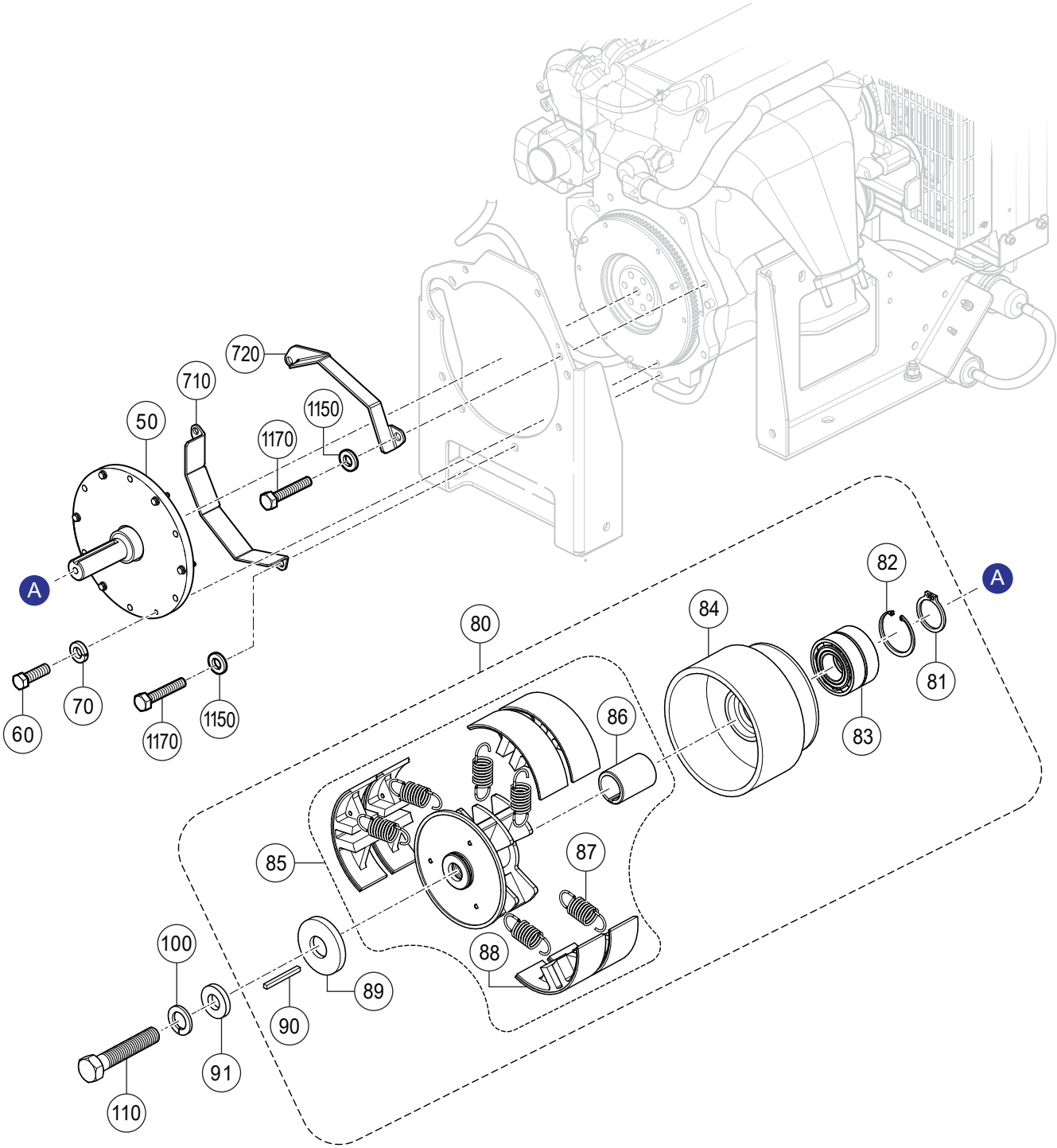
MUFFLER ASSY.



MUFFLER ASSY.

<u>NO.</u>	<u>PART NO.</u>	<u>PART NAME</u>	<u>QTY.</u>	<u>REMARKS</u>
520	800870	GASKET, MUFFLER	2	
530	201280	OXYGEN SENSOR	2	
560	492378	BOLT, G-5, HHCS	4	
570	504679	WASHER, FLAT 3/8"	8	
580	0166A	WASHER, LOCK 3/8" DIA.	4	
590	1456	NUT, HEX 3/8"	4	
620	807587	MUFFLER SUPPORT	2	
1070	807293	ENGINE EXHAUST PIPE	1	
1080	3019092	WASHER, FLAT 3/8"	4	
1090	807624	MUFFLER/CATALYTIC CONVERTER	1	
1100	807585	ELBOW EXHAUST ASSEMBLY	1	
1110	504679	WASHER, FLAT 3/8"	16	
1120	0166A	WASHER, LOCK 3/8" DIA.	8	
1130	1456	NUT, HEX 3/8"	8	
1140	EM963057	BOLT, 3/8" DIA.	8	

CLUTCH ASSY.



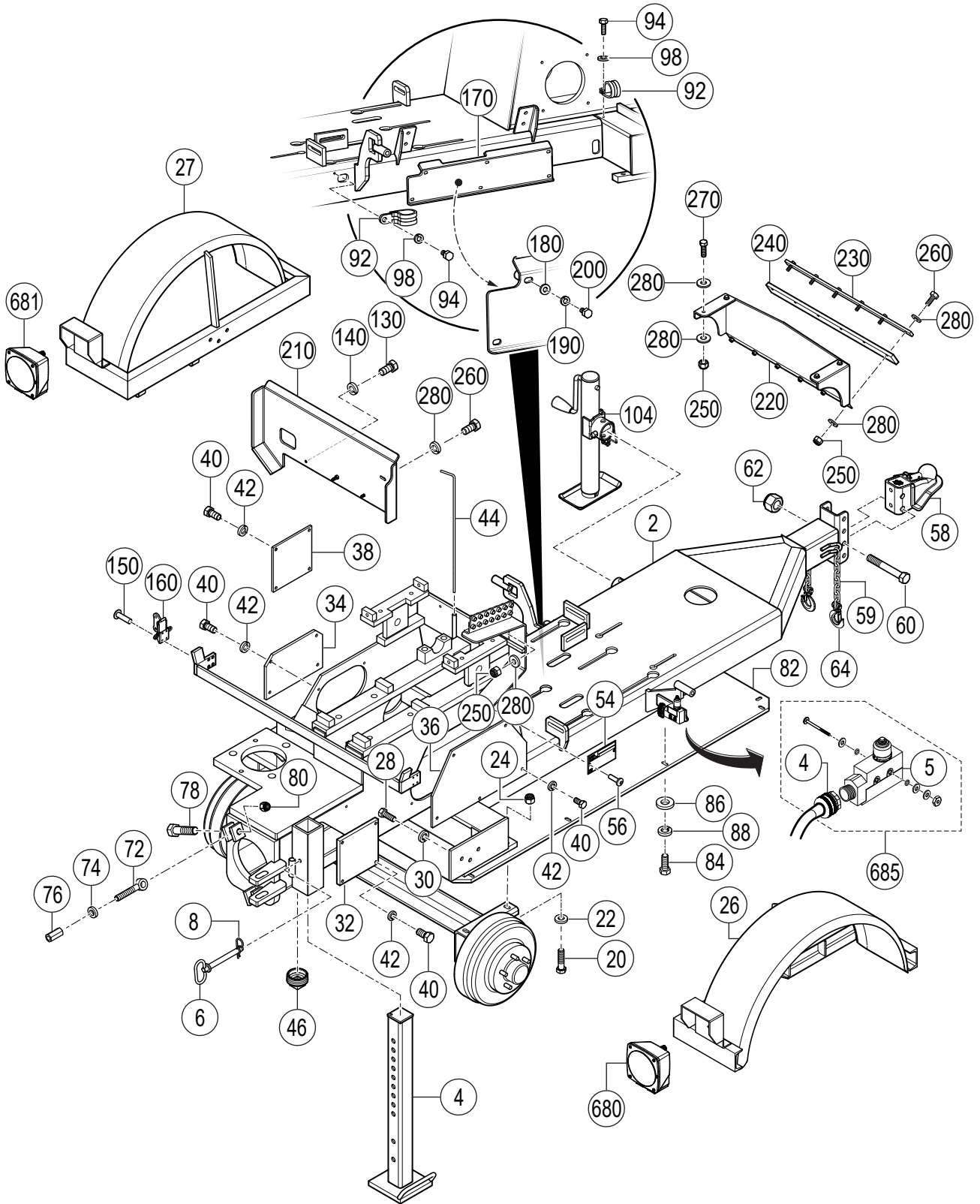
CLUTCH ASSY.

<u>NO.</u>	<u>PART NO.</u>	<u>PART NAME</u>	<u>QTY.</u>	<u>REMARKS</u>
50	EM517015	SHAFT STUB (FLANGE) ENGINE	1	
60	011208025	BOLT, 8 X 25	6	
70	EM923343	WASHER, LOCK 5/16"	6	
80	EM14351	CLUTCH ASSEMBLY COMPLETE.....	1.....	INCLUDES ITEMS W/%
81%	EM01900311	SNAP RING	1	
82%	EM01900312	SNAP RING	1	
83%	03000055	CLUTCH BEARING	1	
84%	01660010	CLUTCH HOUSING (DRUM)	1	
85%	EMR60600304	ROTOR ASSEMBLY	1.....	INCLUDES ITEMS W/#
86%#	EM11300928	HUB	1	
87%#	EM01030108	SPRING	6	
88%#	EM11200200	SHOE	6	
89%		WASHER	1.....	NOT SOLD SEPARATELY
90%		KEY.....	1.....	NOT SOLD SEPARATELY
91	EM621	WASHER, 1/2" SPECIAL	1	
100	6109180	WASHER, LOCK 1/2" DIA.	1	
110	EM963105	BOLT, 1/2" NC X 2" G5	1	
710	807649	LOWER GUARD	1	
720	807650	UPPER GUARD	1	
1150	DULT100518	WASHER, FLAT 1/4"	8	
1170	DULT100284	BOLT, M10 X 55, G8	4	

FRAME ASSY.

<u>NO.</u>	<u>PART NO.</u>	<u>PART NAME</u>	<u>QTY.</u>	<u>REMARKS</u>
2	807590	FRAME	1	
4	EM70186	JACK STAND, REAR	1	
6	EM744	CLEVIS PIN 1/2" X 4"	1	
8	EM745	PIN, LOCK	1	
20	TK31C832J	BOLT, 1/2"NC X 2" G8	4	
22	EM621	WASHER, 1/2" SPECIAL	4	
24	504723J	NUT, LOCK 1/2" DIA. NC	4	
26	EM511418	FENDER, RIGHT	1	
27	EM513087	FENDER, LEFT	1	
28	981635	BOLT, HEX 1/2"-13NC X 1"	6	
30	6109180	WASHER, LOCK 1/2" DIA.	6	
32	EM512251	COVER PLATE	1	
34	EM512252	COVER PLATE	1	
36	EM512253	COVER PLATE	1	
38	EM512251	COVER PLATE	1	
40	492309	BOLT, 3/8" NC X 3/4" G2	17	
42	0166A	WASHER, LOCK 3/8" DIA.	17	
44	EM512263	DIPSTICK	1	
46	EM507895	PLUG, 2-1/2" NPT	2	
54	34516	NAMEPLATE, MQ	1	
56	491757	RIVET, ID PLATE	2	
58	29228	COUPLER, 2" BALL	1	
59	510291F	CHAIN, 3/8"	2	
60	518256J	BOLT, 5/8"NC X 4-1/2" G8	2	
62	492586J	NUT, NYLOCK 5/8"	2	
64	522046	SAFETY HOOK 3/8" G70	2	
72	EM14165	BOLT, EYE	2	
74	EM619	WASHER, 3/4"	2	
76	EM968002	NUT, 3/4"NC HEX EXT G5	2	
78	505121	BOLT, 3/4" X 3"	2	
80	EM505069	NUT, 3/4" NYLON G8	2	
82	EM513078	COVER, CHASSIS BOTTOM	1	
84	EM963610	CAP SCREW	8	
86	3019092	WASHER, FLAT 3/8"	8	
88	0166A	WASHER, LOCK 3/8"	8	
92	517155	CLAMP, 3/4"	2	
94	492356	BOLT, 1/4" X 3/4"	2	
98	2101402	WASHER, LOCK 1/4"	2	
104	EM25610	JACK STAND SWIVEL	1	

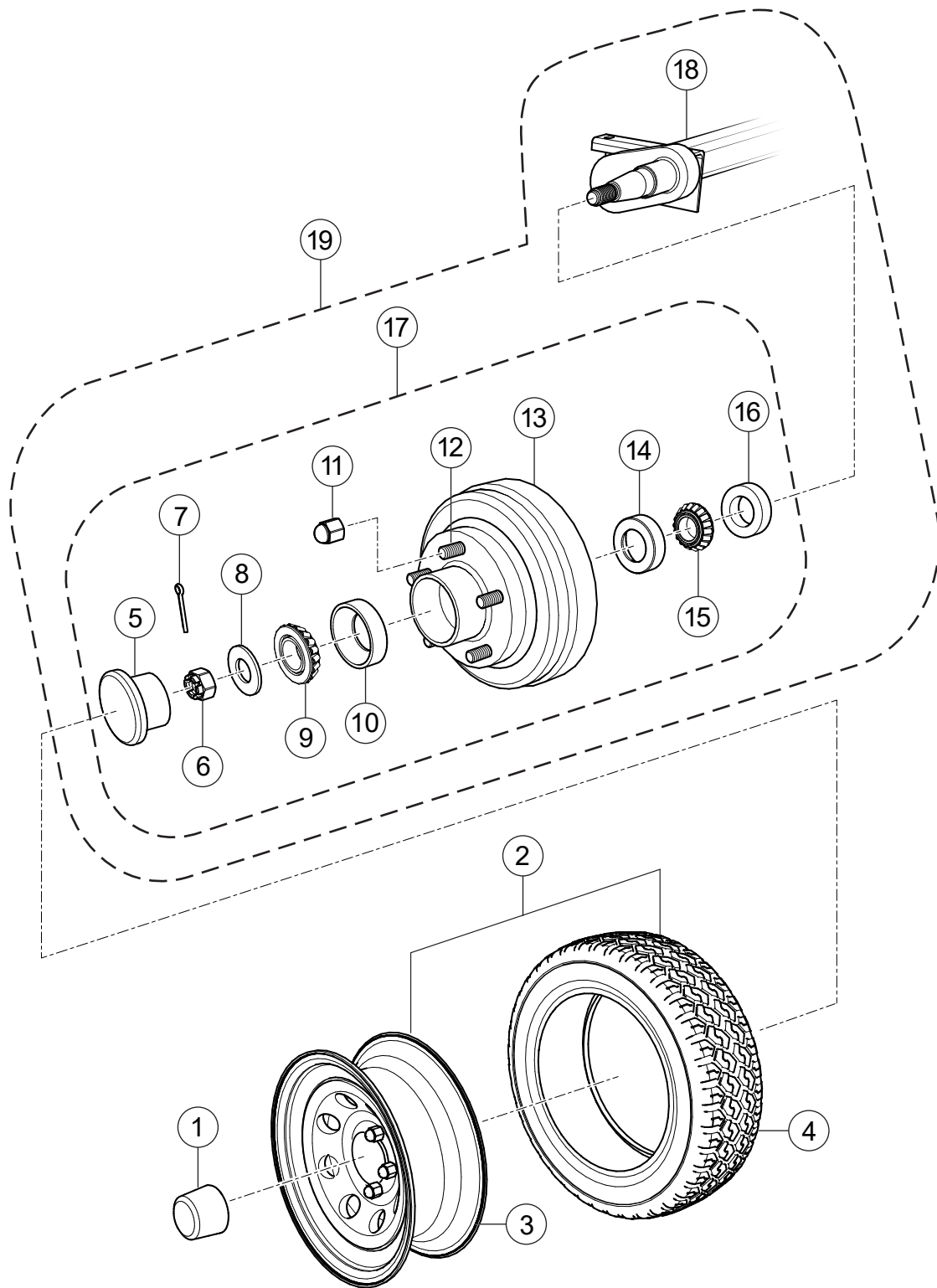
FRAME ASSY. (CONT'D.)



FRAME ASSY. (CONT'D.)

<u>NO.</u>	<u>PART NO.</u>	<u>PART NAME</u>	<u>QTY.</u>	<u>REMARKS</u>
130	492363	BOLT, 5/16" DIA. NC X 3/4" G-5	3	
140	EM923343	WASHER, LOCK 5/16"	3	
150	EM491754	POP RIVET	8	
160	EM517295	HANDLE, BUTTERFLY TYPE	2	
170	807642	DEFLECTOR, MUFFLER	1	
180	492595	WASHER, FLAT 1/4"	6	
190	2101402	WASHER, LOCK 1/4" DIA.	6	
200	1579	SCREW, HHC 1/4-20 X 1/2"	6	
210	807749	CHASSIS GUARD, ANTI-SPILL	1	
220	807750	STAND, ANTI-SPILL GUARD	1	
230	807756	SUPPORT, FIXED RUBBER, ANTI-SPILL	1	
240	807850	KIT, CARBURETOR	1	
250	2105164	NUT, NYLON 5/16-18	11	
260	0202	SCREW, HHC 5/16" X 18" X 1"	7	
270	492363	BOLT, 5/16" DIA. NC X 3/4" G-5	4	
280	EM923057	WASHER, 1/4"	22	
680	29242	SQUARE LAMP RED, RT. SIDE	1	
681	29243	SQUARE LAMP RED, LFT. SIDE	1	
685	EM14217	STOP SWITCH, ENGINE COVER	1	

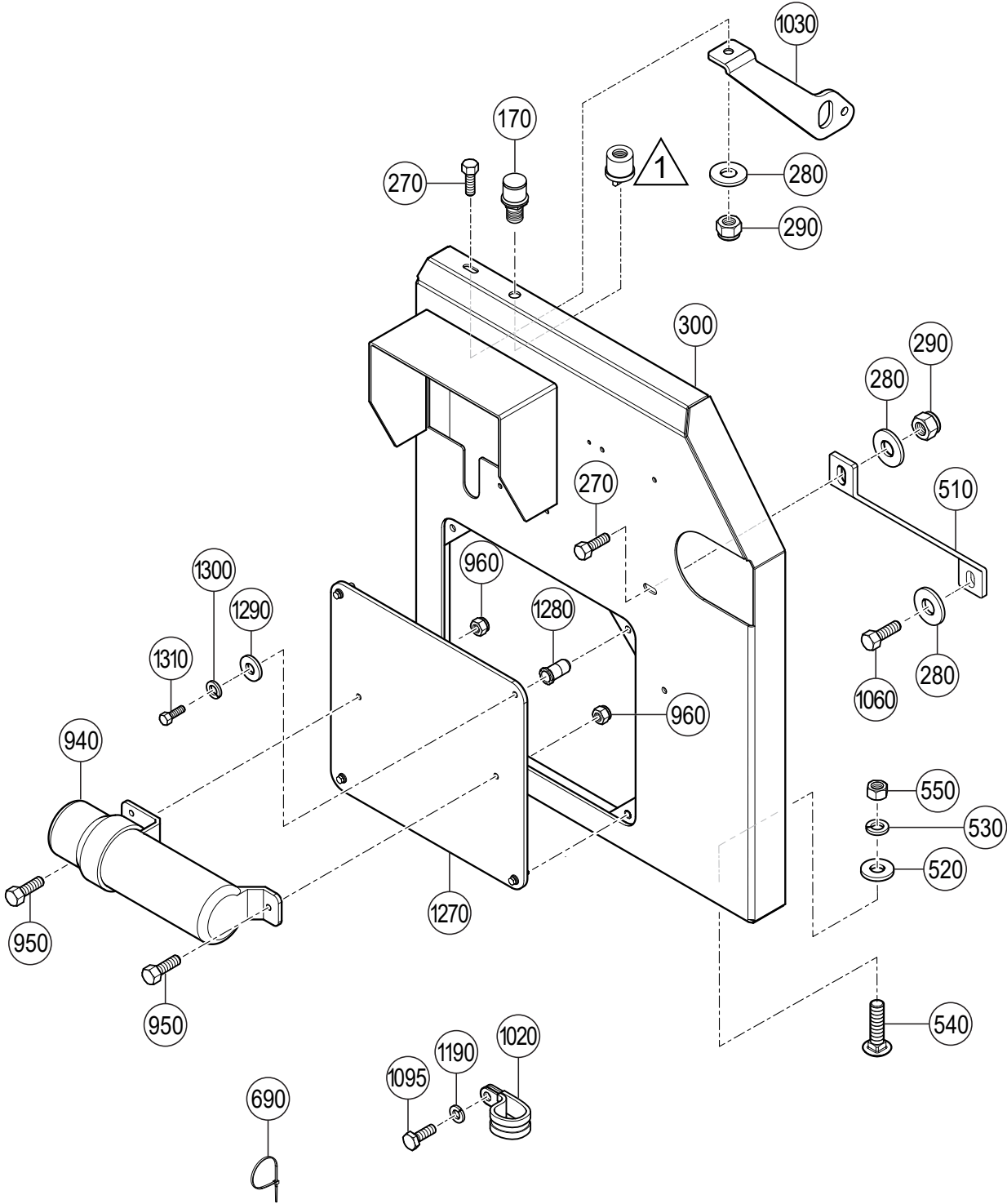
AXLE ASSY.



AXLE ASSY.

<u>NO.</u>	<u>PART NO.</u>	<u>PART NAME</u>	<u>QTY.</u>	<u>REMARKS</u>
1	516482	CAP 14" CHROME.....	2.....	S/N K110392 AND ABOVE
1	522070	CAP 14" CHROME	2.....	S/N K110391 AND BELOW
2	EM517478	TIRE ASSY.....	2.....	INCLUDES ITEMS W/\$
3\$		WHEEL (RIM)	2.....	NOT SOLD SEPARATELY
4\$		TIRE 14"	2.....	NOT SOLD SEPARATELY
5#	EM26306	DUST COVER	2	
6#	EM968481	CASTLE NUT	2	
7	EM705	PIN, COTTER 3/16 X 1-1/2	2	
8#	EM26329	WASHER	2	
9#	EM903113	OUTER BEARING	2	
10#	EM903012	OUTER CUP	2	
11#	EM26519	NUT	10	
12#	EM20612	STUD	10	
13#	EM26300	HUB	2	
14#	EM903169	INNER CUP	2	
15#	EM903168	INNER BEARING	2	
16#	EM26305	GREASE SEAL	2	
17%	EM20601	HUB ASSY.	2.....	INCLUDES ITEMS W/#
18%		AXLE.....	1.....	NOT SOLD SEPARATELY
19%	EM146001A	AXLE W/HUBS INSTALLED	1.....	INCLUDES ITEMS W/%

FRONT PANEL ASSY.

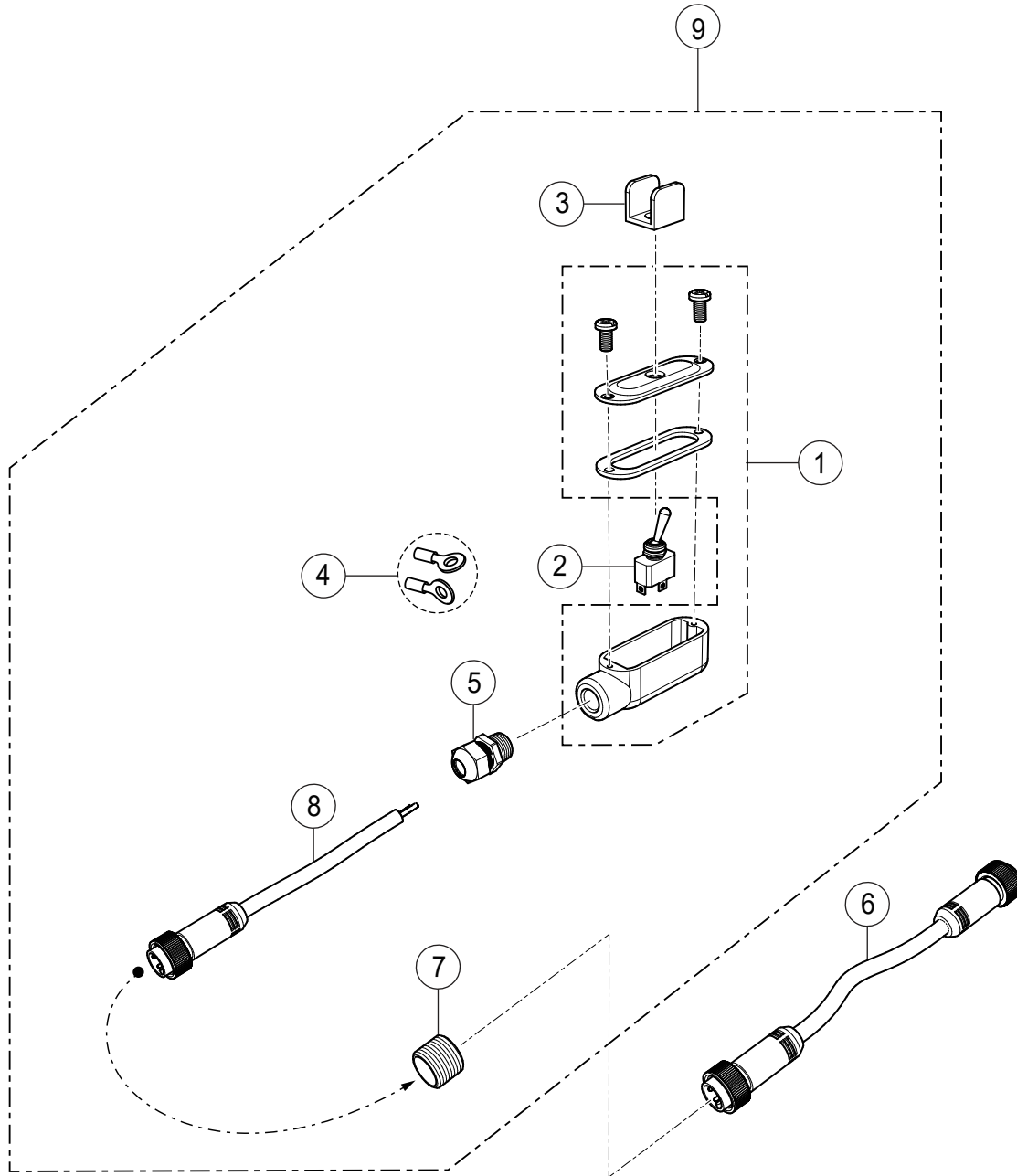


NOTE:
△ 1 INCLUDED IN ITEM 170.

FRONT PANEL ASSY.

<u>NO.</u>	<u>PART NO.</u>	<u>PART NAME</u>	<u>QTY.</u>	<u>REMARKS</u>
170	519792	SWITCH, ENGINE DIAGNOSTIC	1	
270	492363	BOLT, 5/16" DIA. NC X 3/4" G-5	4	
280	EM923023	WASHER, FLAT 5/16"	6	
290	2105164	NUT, NYLON 5/16"-18	5	
300	807644	FRONT PANEL	1	
510	807648	BOTTOM FRONT PANEL	1	
520	3019092	WASHER, FLAT 3/8"	2	
530	0166A	WASHER, LOCK 3/8" DIA.	2	
540	505196	SCREW, 3/8" X 1-1/2" HHCS	2	
550	1456	NUT, HEX 3/8"	2	
690	491030	TIE-WRAP	1	
940	23297	MANUAL HOLDER	1	
950	492363	BOLT, 5/16" DIA. NC X 3/4" G-5	2	
960	2105164	NUT, NYLON 5/16-18"	2	
1020	517155	CLAMP, 3/4"	1	
1030	807651	TOP STRIP, FRONT PANEL	1	
1060	0202	SCREW HHC 5/16 X 18 X 1	1	
1095	492356	BOLT, 1/4" X 3/4"	2	
1190	2101402	WASHER, LOCK 1/4" DIA.	2	
1270	807849	COVER, ENGINE ACCESS	1	
1280	DULT100602	NUT	4	
1290	492595	WASHER, FLAT 1/4"	4	
1300	2101402	WASHER, LOCK 1/4" DIA.	4	
1310	DULT100256	SCREW, M6	4	

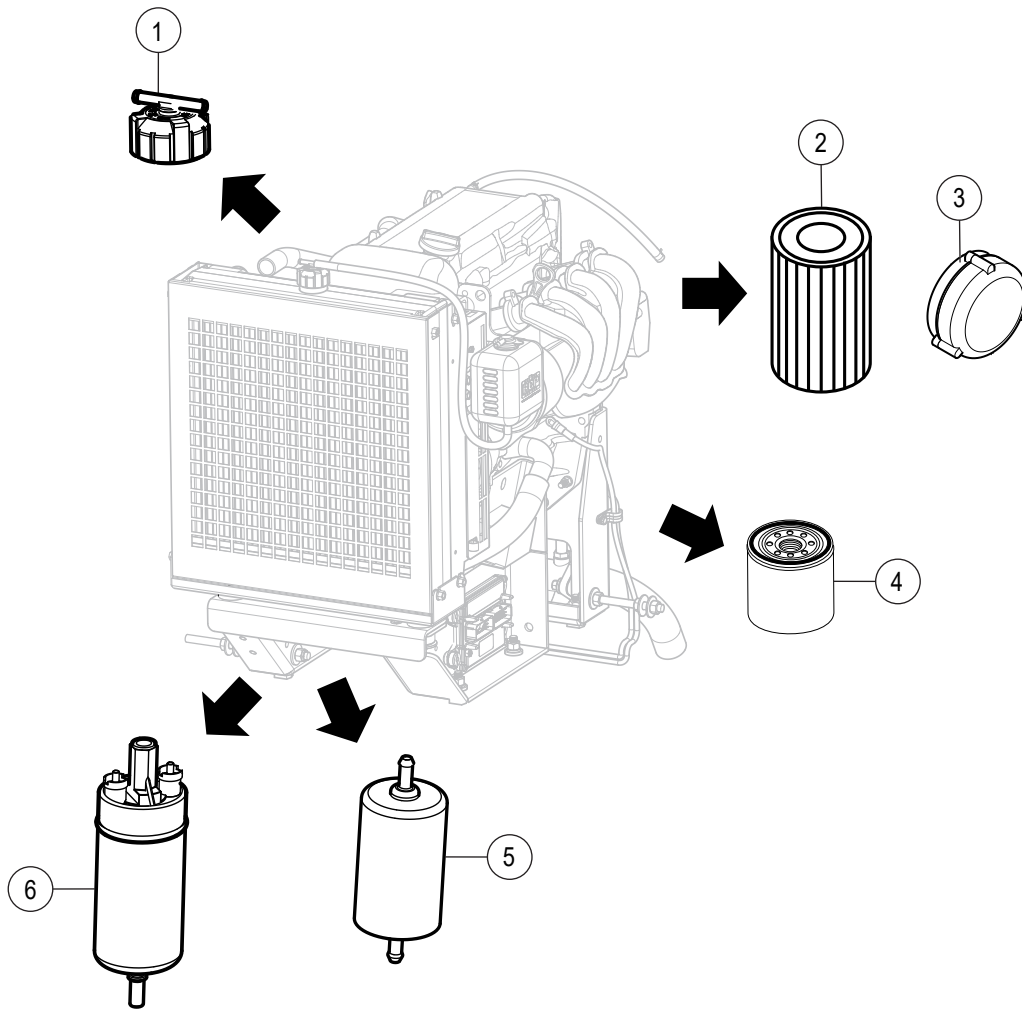
REMOTE CONTROL CABLE ASSY.



REMOTE CONTROL CABLE ASSY.

<u>NO.</u>	<u>PART NO.</u>	<u>PART NAME</u>	<u>QTY.</u>	<u>REMARKS</u>
1#	EM16753	JUNCTION BOX	1	
2#	EM16754	SWITCH, MICRO	1	
3#	EM16756	GUARD SWITCH - ALUMINUM	1	
4#	EM491897	CONNECTOR, 3/16" RING	2	
5#	EM26791	GRIP CORD SEAL	1	
6	EM26792	ADAPTER CORD 100 FT.	1	
7#	EM26793	ADAPTER CORD GRIP 1/2"	1	
8#	EM26790	CORD 25' M X PE	1	
9	EM26788	REMOTE WITH 25' CORD ONLY	1.....	INCLUDES ITEMS W/#

ENGINE SERVICE PARTS



ENGINE SERVICE PARTS

<u>NO.</u>	<u>PART NO.</u>	<u>PART NAME</u>	<u>QTY.</u>	<u>REMARKS</u>
1	200356	CAP, RADIATOR	1	
2	2E1	ELEMENT AIR CLEANER	1	
3	EM98162	PRE-CLEANER	1	
4	26300-35504	OIL FILTER	1	
5	201287	IN-LINE FUEL FILTER W/CLAMP	1	
6	201284	FUEL PUMP W/CLAMP	1	