

PARTS MANUAL



**GLOBUG
MODEL GBX8B
LED BALLOON CART**

Revision #0 (11/11/20)

THIS MANUAL MUST ACCOMPANY THE EQUIPMENT AT ALL TIMES.

TABLE OF CONTENTS

GBX8B Balloon Cart

Explanation Of Code In Remarks Column.....	4
Suggested Spare Parts	5

Component Drawings

Nameplate And Decals (Balloon) Assembly.....	6-7
Nameplate And Decals (Cart/Mast) Assembly	8-9
Frame Assembly.....	10-11
Mast Assembly	12-13
Electrical Assembly	14-17
Generator Exterior Assembly	18-19
Fuel Tank Assembly.....	20-21
Air Cleaner Assembly	22-23
Carburetor Assembly	24-25
Inverter Assembly	26-27
Control Panel Assembly	28-29
Engine Service Parts.....	30-31

SUGGESTED SPARE PARTS

GBX8B LIGHT TOWER

1 to 3 units

Qty.	P/N	Description
2.....	A100152300	BALLON
1.....	A400209802	BALLOON KNOB COMPLETE
1.....	A000065603	LED POWER SUPPLY, MASTER
1.....	A000065703	LED POWER SUPPLY, SLAVE
1.....	A300280601	FAN MOTOR
3.....	EEN0006700	KNOB
3.....	A400187602	KNOB, BLACK
3.....	EEN0002000	GRIP, RECOIL STARTER

K80i GASOLINE ENGINE

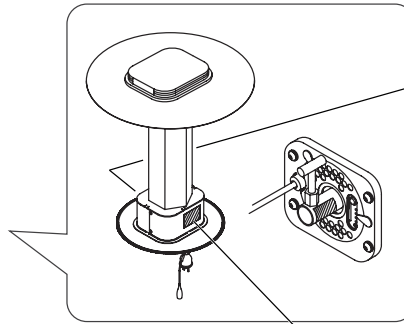
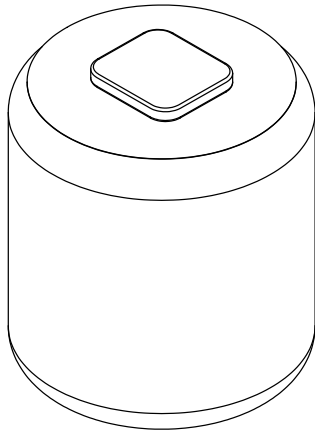
1 to 3 units

Qty.	P/N	Description
3.....	EEN0005600	FUEL FILTER
3.....	EEN0004500	ELEMENT, AIR CLEANER
3.....	EEN0015500	CAP, FUEL TANK
3.....	EEN0016100	FUEL COCK
3.....	EEN0015400	STRAINER, FUEL
3.....	EEN0004600	PLUG, SPARK

NOTICE

Part numbers on this Suggested Spare Parts list may supersede/replace the part numbers shown in the following parts lists.

NAMEPLATE AND DECALS (BALLOON) ASSY.

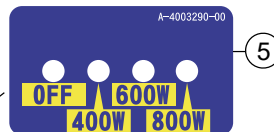
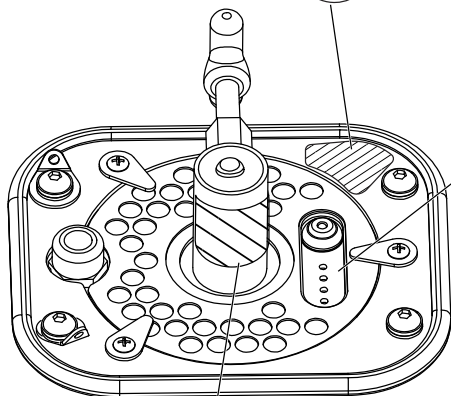


WARNING
 CANCER &
 REPRODUCTIVE HARM
www.P65Warnings.ca.gov
 A-4004779-00

<p>⚠ DANGER</p> <p>ELECTRICAL SHOCK HAZARD When replacing lamp and to prevent electrical shock, ALWAYS shutdown the generator before replacing lamp. Remember to let lamp cool before removing.</p>	<p>⚠ WARNING</p> <p>HIGH VOLTAGE The electronic components generate high voltage. NEVER perform maintenance when connected to a power source.</p>
<p>⚠ DANGER</p> <p>RISQUE DE CHOC ELECTRIQUE Lors du remplacement de la lampe et pour prévenir le risque de choc électrique, TOUJOURS éteindre le générateur avant de remplacer la lampe. Ne pas oublier de laisser la lampe se refroidir avant de l'enlever. Utiliser uniquement le type de lampe recommandé dans le manuel des pièces.</p>	<p>⚠ AVERTISSEMENT</p> <p>HAUTE TENSION Les composants électroniques génèrent une haute tension. NE JAMAIS effectuer l'entretien lorsqu'il est branché à une source d'alimentation.</p>

★ LIGHT CONTROL
 Push the button.
 (800W → 600W → 400W → OFF)

★ SILENT MODE
 Push the button for 2 seconds.

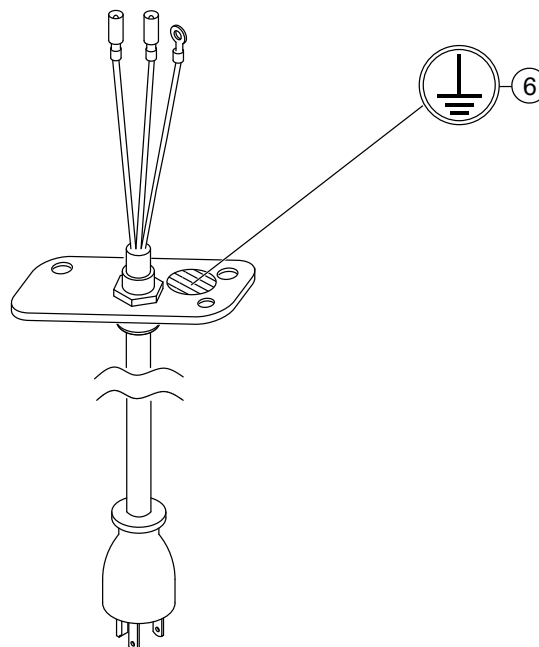


⚠ CAUTION / ATTENTION

- AC ONLY
- SUITABLE FOR WET LOCATIONS
- DO NOT SUBMERSE

- C.A. SEULEMENT
- CONVIENT AUX EMPLACEMENTS MOUILLÉS
- NE PAS IMMERGER

A-4003250-01



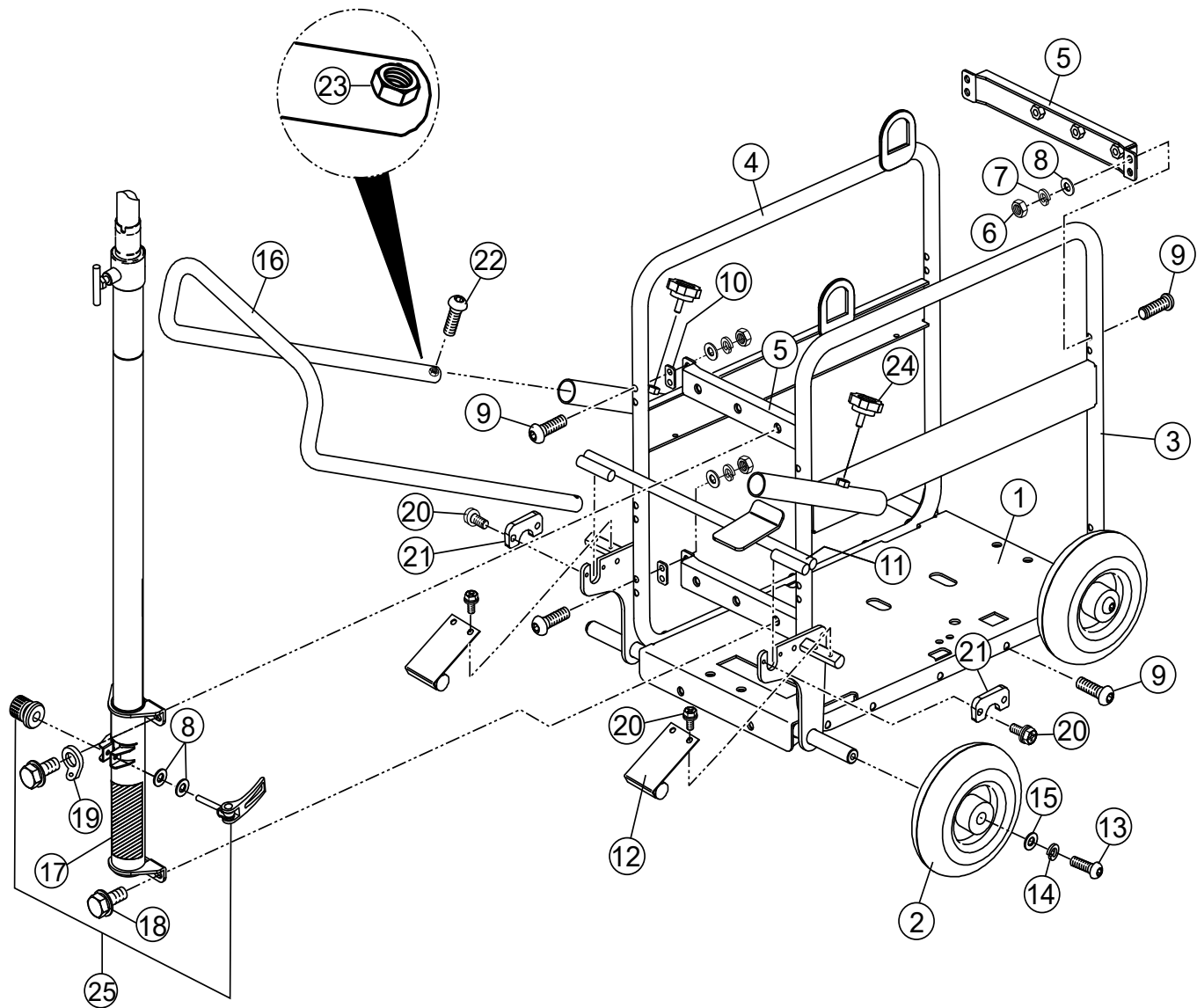
NAMEPLATE AND DECALS (BALLOON) ASSY.

<u>NO.</u>	<u>PART NO.</u>	<u>PART NAME</u>	<u>QTY.</u>	<u>REMARKS</u>
1	A400477900	DECAL; PROP. 65	1	
2	A400363401	DECAL; LIGHT CONTROL(800)	1	
3	A400325001	DECAL; CAUTION CSA	1	
4	A400325101	DECAL; E-SHOCK/BURN	1	
5	A400329000	DECAL; DIMMER SWITCH LEDS (800)	1	
6	A400372800	DECAL; GROUND ø10	1	

NAMEPLATE AND DECALS (CART/MAST) ASSY.

<u>NO.</u>	<u>PART NO.</u>	<u>PART NAME</u>	<u>QTY.</u>	<u>REMARKS</u>
1	A400420300	DECAL; HOOK/OUTRIGGER	1	
2	A400324801	DECAL; GLOBUG INFORMATION	1	
3	A300402500	DECAL; NAME (GLO BUG LED)	1	
4	A400477900	DECAL; PROP. 65	1	
5	A400498100	DECAL; INVERTER GENERATOR	1	
6	A400498200	DECAL; GASOLINE	1	
7	A400498300	DECAL; ENGINE OIL	1	
8	A400498400	DECAL; FUEL DRAIN	1	
9	A400498500	DECAL; NO. 3	1	
10	A400499700	DECAL; NAME (GBX S)	2	
11	A400497700	DECAL; HIGH VOLTAGE	1	
12	A400497800	DECAL; WARNING	1	
13	A400497900	DECAL; HIGH TEMPERATURE	1	
14	A400498000	DECAL; HOW TO USE	1	
15	A300411200	DECAL; NAME (LBG1600i)	2	
16	A400500200	DECAL; NEVER USE INDOOR	1	
17	A400500300	DECAL; DO NOT CONNECT	1	
18	A400500400	DECAL; MAY CREATE SPARKS	1	

FRAME ASSY.



FRAME ASSY.

<u>NO.</u>	<u>PART NO.</u>	<u>PART NAME</u>	<u>QTY.</u>	<u>REMARKS</u>
1	A100148001	BASE PLATE COMPLETE	1	
2	1002200100	TIRE (2.50-4)	4	
3	A200152500	FRAME, LEFT	1	
4	A200152600	FRAME, RIGHT	1	
5	A200089106	SUB-FRAME	3	
6	0033108000	NUT M8	12	
7	030208200	WASHER, LOCK M8.....	12	REPLACES P/N 0043208000
8	0043108000	WASHER M8	14	
9	0014708040	HEX. SOCKET BUTTON BOLT M8X40	22	
10	A400447200	SUPPORT PLATE, FRAME	4	
11	A200152400	BRAKE SHAFT COMPLETE	1	
12	A400452000	PLATE, BRAKE	2	
13	0014710020	HEX. SOCKET BUTTON BOLT M10X20	4	
14	0043210000	WASHER, LOCK M10	4	
15	0043110000	WASHER M10	4	
16	A300278102	HANDLE	1	
17	A200062701	PIPE, MAST	1	
18	0013510025	BOLT AND WASHER M10X25	4	
19	2204510110	WASHER	2	
20	0015406012	PHILLIPS HEX UPSET BOLT M6X12	8	
21	A400443600	STOPPER PLATE	2	
22	0014906012	HEX. SOCKET BUTTON BOLT M6X12	2	
23	0033206000	NUT, SELF-LOCK M6	2	
24	E000042602	KNOB BOLT	2	
25	2212780310	LEVER, CLAMP W/NUT	1	

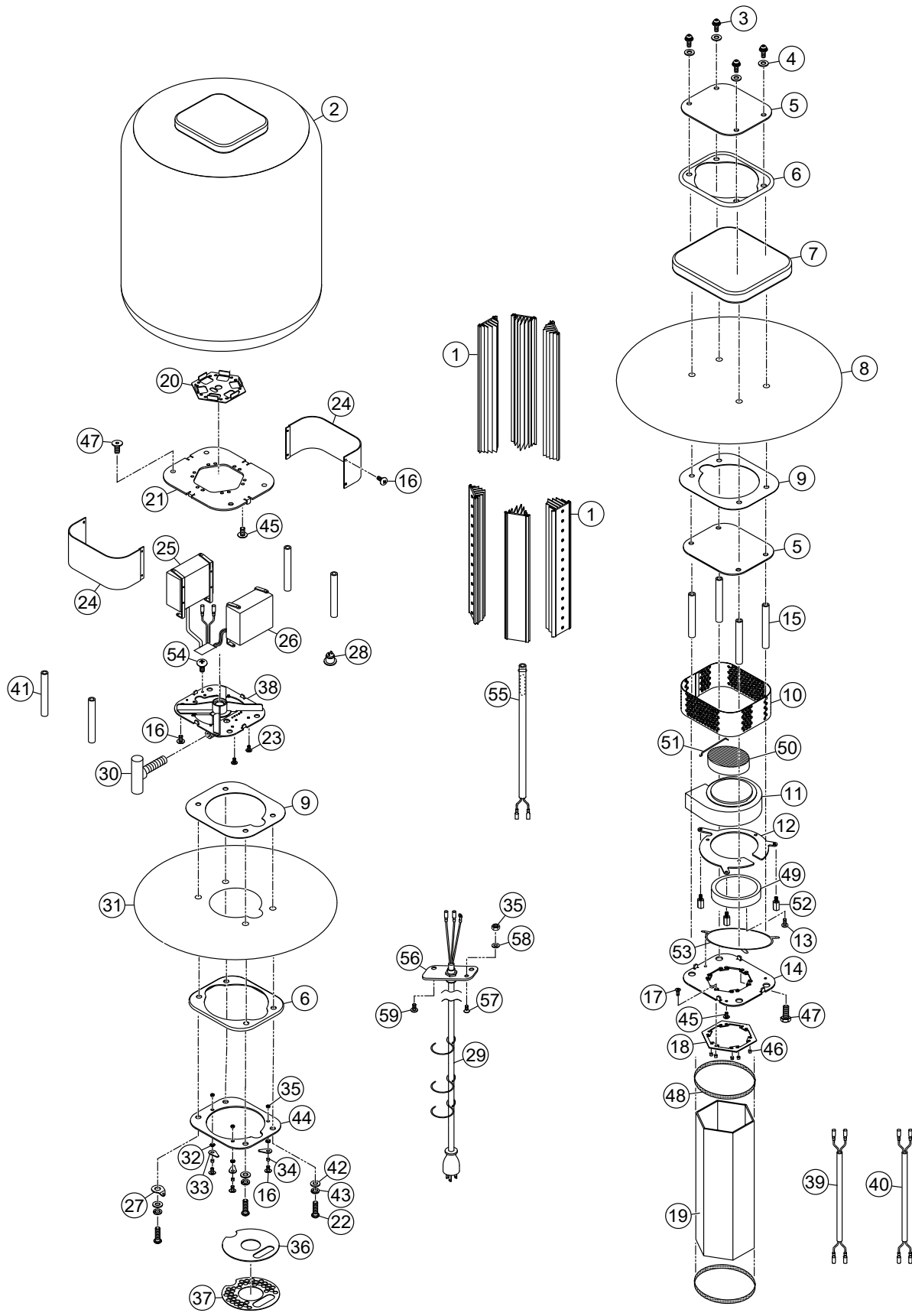
MAST ASSY.



MAST ASSY.

<u>NO.</u>	<u>PART NO.</u>	<u>PART NAME</u>	<u>QTY.</u>	<u>REMARKS</u>
1	A300175400	FIRST MAST	1	
2	A300175500	SECOND MAST W/SLIDER	1	
3	A300175600	THIRD MAST W/SLIDER	1	
4	A400199700	PLUG	1	
5	A400112700	RELIEF VALVE	1	
6	0023104008	SCREW M4X8	1	
7	0041210000	WASHER, FLAT M4.....	1.....	REPLACES P/N 0043104000
8	0023105008	SCREW M5X8	2	
9	0043105000	WASHER M5	1	
10	A400187602	TEE HANDLE, BLACK	1	
11	0013108020	BOLT M8X20	1	
12	A400200500	WASHER	1	
13	A400110200	BUSHING	2	
14	A400200700	RUBBER INSERT	1	
15	A400092801	WASHER	2	
16	A400200800	SET COLLAR, 2-HOLE	1	
17	0024705008	SET SCREW M5X8	6	
18	E000081200	O-RING	1	
19	A400202700	BOLT M8X20	1	
20	0043108000	WASHER M8	1	
21	A400109600	RUBBER INSERT	1	
22	A400092402	SET COLLAR, 4-HOLE	1	
23	A400200300	PIPE	1	
24	A400321800	CAP PIPE	1	
25	A400200201	RELEASE LEVER	1	
26	A400345900	SPRING, RELEASE LEVER	1	
27	2204510110	CABLE HANGER WASHER	1	

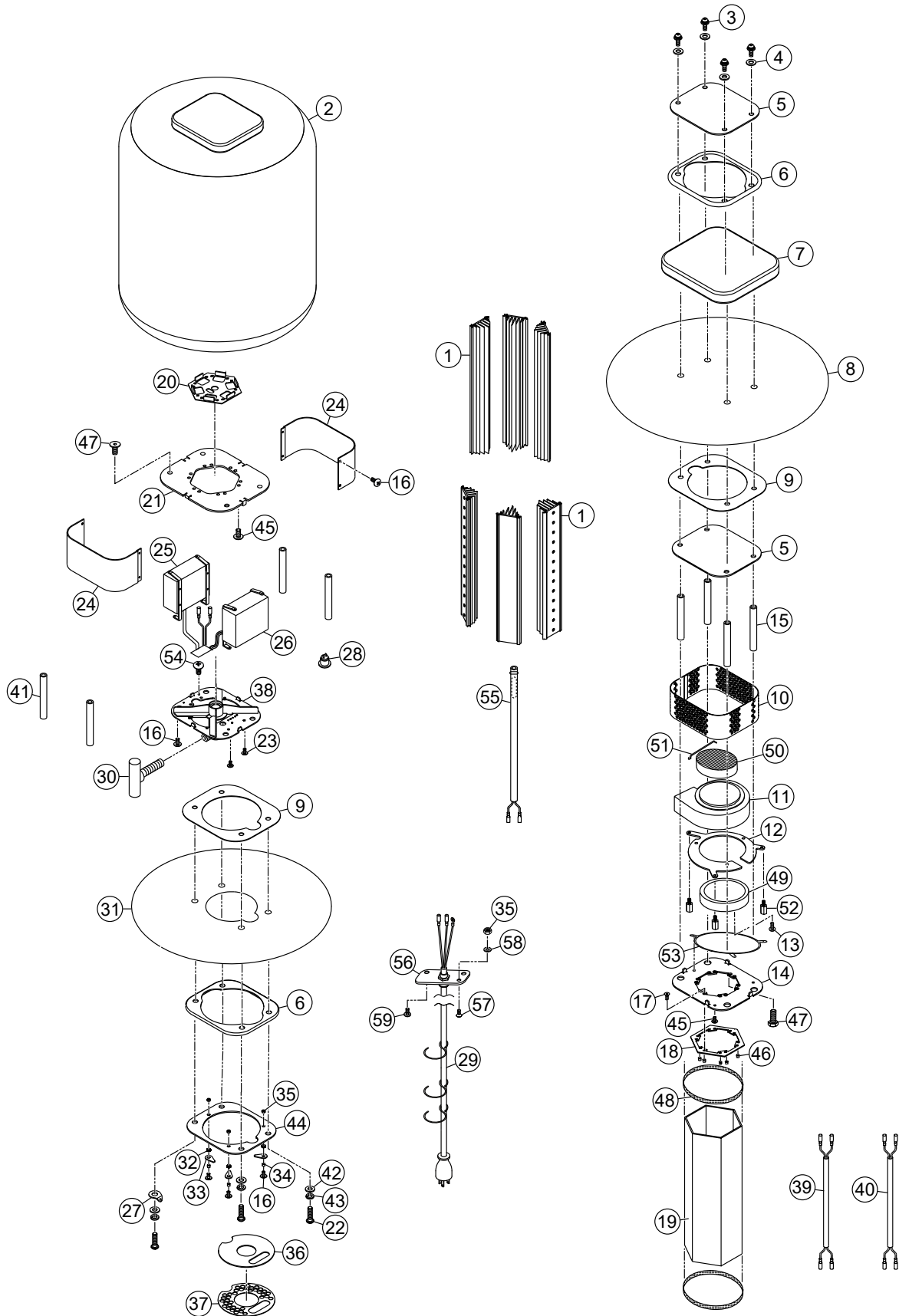
ELECTRICAL ASSY.



ELECTRICAL ASSY.

<u>NO.</u>	<u>PART NO.</u>	<u>PART NAME</u>	<u>QTY.</u>	<u>REMARKS</u>
1	A300282602	LED HEAT SINK	6	
2	A100152300	BALLOON	1	
3	0014708025	BUTTON SCREW, M8X25	4	
4	E000132100	BONDED WASHER, SUS OPG 8X19X4.1	4	
5	A300257000	PLATE	2	
6	A300162400	SEAL, PACKING	2	
7	A100107701	BALLOON COVER, 800-BLACK	1	
8	A100101200	SHEET	1	
9	2214500230	SEAL, FLAT	2	
10	A300274702	BEZEL	1	
11	A300280601	FAN MOTOR	1	
12	A300281401	PLATE, FAN	1	
13	0023204006	SCREW, M4X6	3	
14	A300247701	PLATE, LAMP	1	
15	A400317400	SPACER A	4	
16	0024304008	TRUSS SCREW, M4X8	23	
17	0025004012	SCREW M4X12	12	
18	A400295300	STOPPER, GUARD	1	
19	A300243602	GUARD	1	
20	A300282501	ADAPTER BOARD	1	
21	A300290400	PLATE	1	
22	0014708035	SCREW, M8X35	4	
23	0023203005	SCREW, M3X5	2	
24	A300291200	BEZEL	2	
25	A000065603	LED POWER SUPPLY, MASTER	1	
26	A000065703	LED POWER SUPPLY, SLAVE	1	
27	2204510110	WASHER	2	
28	A400329900	DIMMING SWITCH	1	
29	A300406200	POWER CABLE	1	
30	A400209802	KNOB, BALLOON	1	
31	A100097601	SHEET, BOTTOM	1	
32	E000119300	WAVE WASHER, M6	3	
33	A400030700	STOPPER, FILTER	3	
34	E000077500	SPACER	3	
35	0033104000	NUT, M4	6	
36	A400273800	FILTER	1	
37	A300244600	PLATE, AIR	1	
38	A200156001	FLANGE	1	
39	A400305001	WIRE, FAN	1	
40	A400331100	WIRE, FAN-VC	1	
41	A400311400	SPACER B	4	
42	0043108000	WASHER, M8	4	

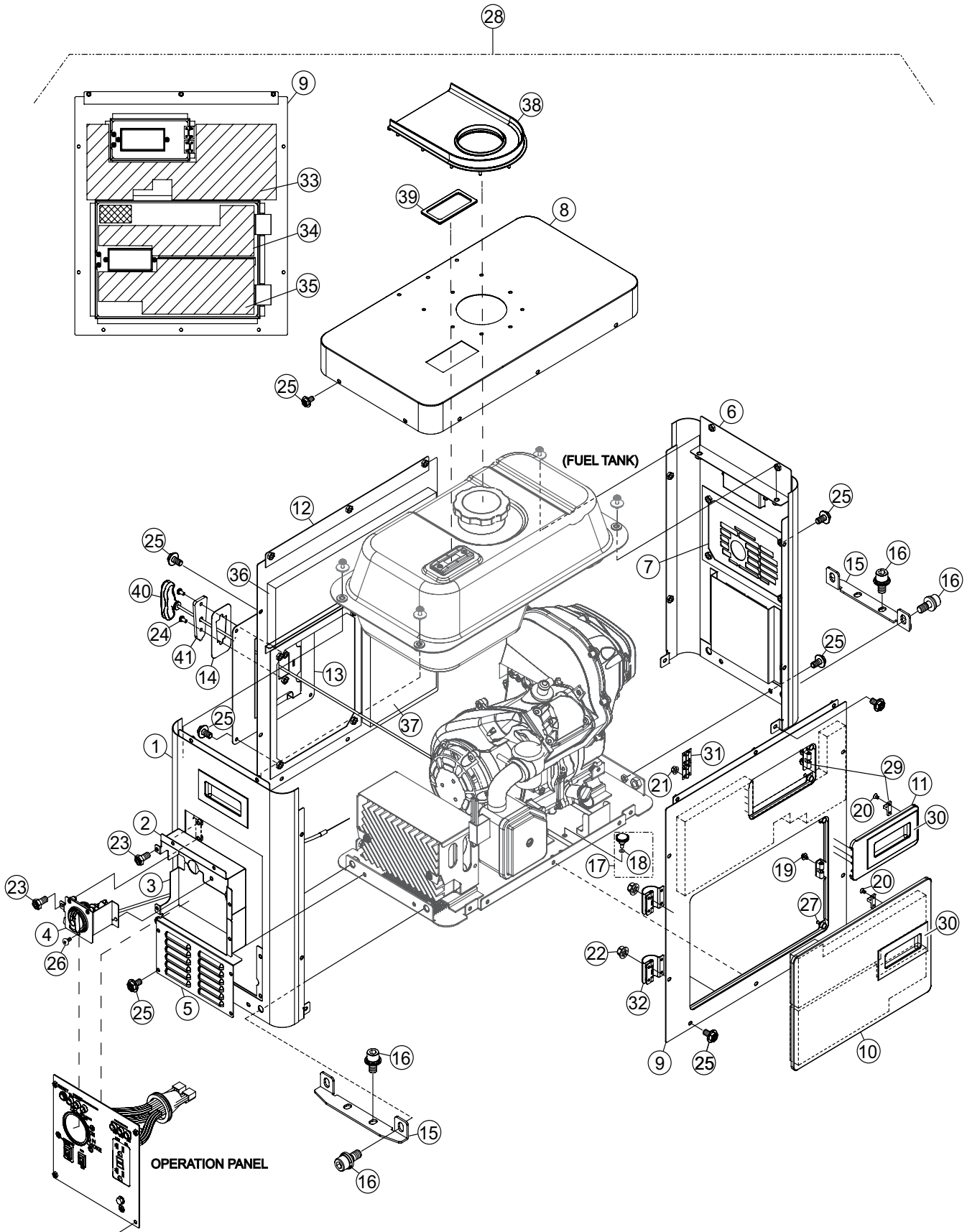
ELECTRICAL ASSY. (CONT'D.)



ELECTRICAL ASSY. (CONT'D.)

<u>NO.</u>	<u>PART NO.</u>	<u>PART NAME</u>	<u>QTY.</u>	<u>REMARKS</u>
43	030208200	WASHER, LOCK M8.....	4.....	REPLACES P/N 0043208000
44	A300256700	PLATE, BOTTOM	1	
45	0023004015	SCREW,H M4X15	15	
46	E000122300	SPACER	12	
47	E000119600	BOLT, M8X20	8	
48	A400340701	PACKING, GUARD	2	
49	A400306700	PACKING, FAN	1	
50	A400330201	HEATSINK, FAN	1	
51	A400345600	STOPPER, FAN	1	
52	E000127200	SPACER	3	
53	A300268500	GUIDE, FAN	1	
54	0022404008	TRUSS SCREW, M4X8	1	
55	A300401800	THERMO SENSOR ASSY.	1	
56	A400495101	PLATE, CABLE	1	
57	0023204010	SCREW, M4X10	1	
58	0041210000	WASHER, FLAT M4.....	1.....	REPLACES P/N 0043104000
59	0023305010	SCREW W/ WASHER, M5X10	2	

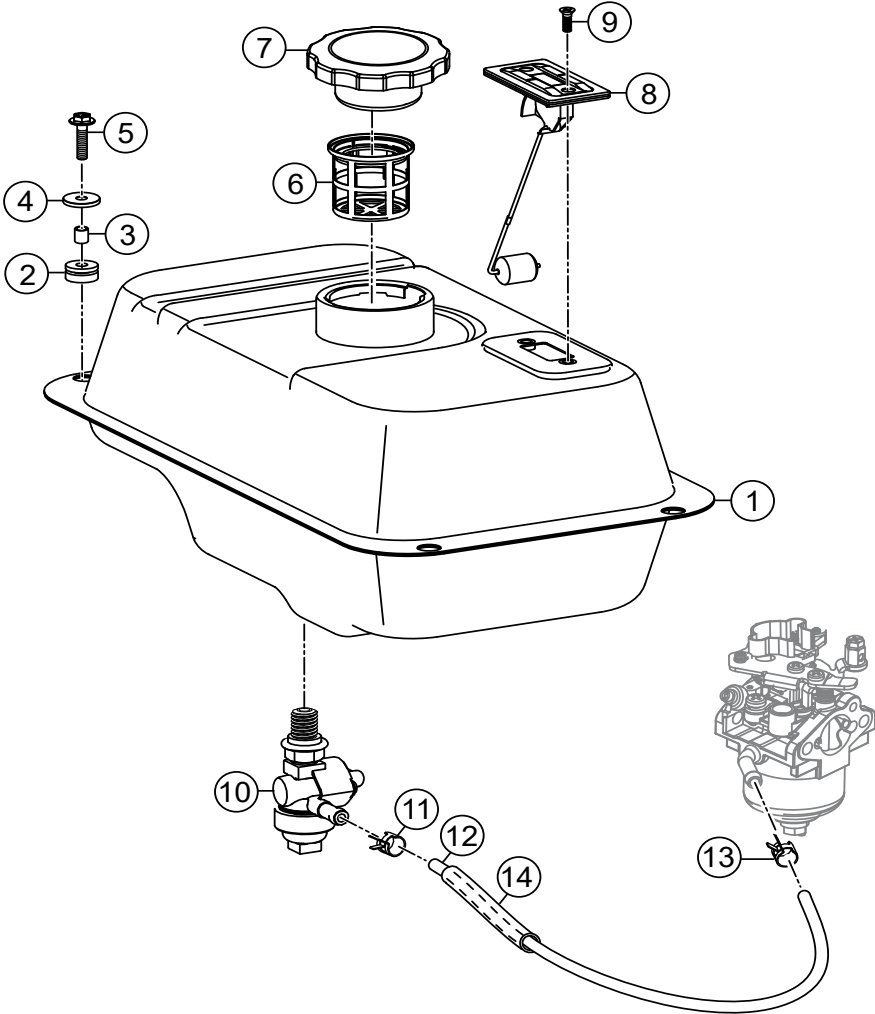
GENERATOR EXTERIOR ASSY.



GENERATOR EXTERIOR ASSY.

NO.	PART NO.	PART NAME	QTY.	REMARKS
1#	EEN0003600	FRONT PANEL SET	1	
2#	EEN0000900	DUST-PROOF COVER, UPPER	1	
3#	EEN0001000	DUST-PROOF COVER, LOWER	1	
4#	EEN0001100	FUEL COCK/CHOKE KNOB HOLDER	1	
5#	EEN0001200	LOUVER PANEL	1	
6#	EEN0003700	REAR COVER	1	
7#	EEN0001300	REAR EXHAUST PANEL	1	
8#	EEN0003800	COVER, UPPER	1	
9#	EEN0004000	SIDE PANEL, MAINTENANCE	1	
10#	EEN0004100	PANEL, OIL MAINTENANCE	1	
11#	EEN0004200	WINDOW, SPARK PLUG MAINTENANCE	1	
12#	EEN0003900	RECOIL, SIDE PANEL	1	
13#	EEN0001400	RECOIL, MOUNTING PANEL	2	
14#	EEN0001500	HOLDING PLATE	1	
15#	EEN0001700	FIXED ANGLE	2	
16#	EEN0018400	HEX. HD SOCK. CAP BOLT SEMS M10X20	8	
17#	EEN0002500	KNURLED KNOB W/ O-RING	1	INCLUDES ITEMS W/\$
18\$#	EEN0000700	O-RING	1	
19#	EEN0018200	PAN HEAD SCREW SEMS M3X6	4	
20#	EEN0018100	FLAT HEAD SCREW M3X5	4	
21#	EEN0002200	FLANGE NUT M3	8	
22#	EEN0018700	FLANGE NUT M5	8	
23#	EEN0002300	PHILLIPS HEX UPSET BOLT, M5X8	7	
24#	EEN0002400	PHILLIPS HEX UPSET BOLT, M5X8, BLACK	6	
25#	EEN0018500	PHILLIPS HEX UPSET BOLT, M5X10	40	
26#	EEN0018300	TAPPING SCREW, M4X16	3	
27#	EEN0001800	RUBBER DAMPER	4	
28	EEN0000500	GENERATOR.....	1	INCLUDES ITEMS W/#
29#	EEN0002600	WINDOW, BALL CATCH	2	
30#	EEN0002700	HANDLE	4	
31#	EEN0002800	HINGE	2	
32#	EEN0002900	HINGE	2	
33#	EEN0003000	SOUND PROOF FOAM INSULATION	1	
34#	EEN0003100	SOUND PROOF FOAM INSULATION	1	
35#	EEN0003200	SOUND PROOF FOAM INSULATION	1	
36#	EEN0003300	SOUND PROOF FOAM INSULATION	1	
37#	EEN0003400	SOUND PROOF FOAM INSULATION	1	
38#	EEN0001600	RUBBER PACKING, FUEL TANK	1	
39#	EEN0001900	RUBBER PACKING, FUEL DISPLAY	1	
40#	EEN0002000	GRIP, RECOIL STARTER	1	
41#	EEN0007000	ROPE GUIDE, RECOIL	1	

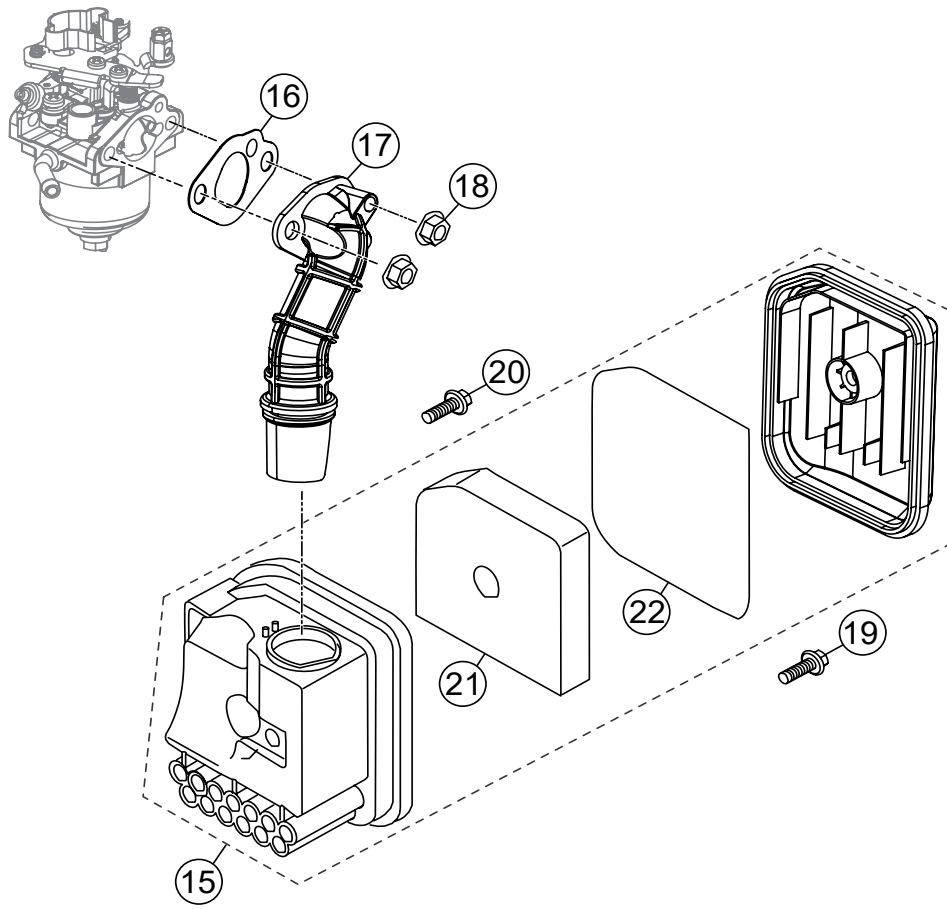
FUEL TANK ASSY.



FUEL TANK ASSY.

<u>NO.</u>	<u>PART NO.</u>	<u>PART NAME</u>	<u>QTY.</u>	<u>REMARKS</u>
1	EEN0015600	FUEL TANK	1	
2	EEN0015700	RUBBER CUSHION, FUEL TANK	4	
3	EEN0015800	BUSHING	4	
4	EEN0015900	WASHER, FLAT	4	
5	EEN0018600	FLANGE BOLT M6X20	4	
6	EEN0015400	STRAINER, FUEL	1	
7	EEN0015500	CAP, FUEL TANK	1	
8	EEN0016000	FUEL GAUGE	1	
9	EEN0004400	SCREW M5X12	2	
10	EEN0016100	FUEL COCK	1	
11	EEN0005100	FUEL HOSE CLAMP	1	
12	EEN0016200	TUBE, FUEL	1	
13	EEN0005700	FUEL HOSE CLAMP	1	
14	EEN0016300	JACKET FUEL HOSE, RUBBER	1	

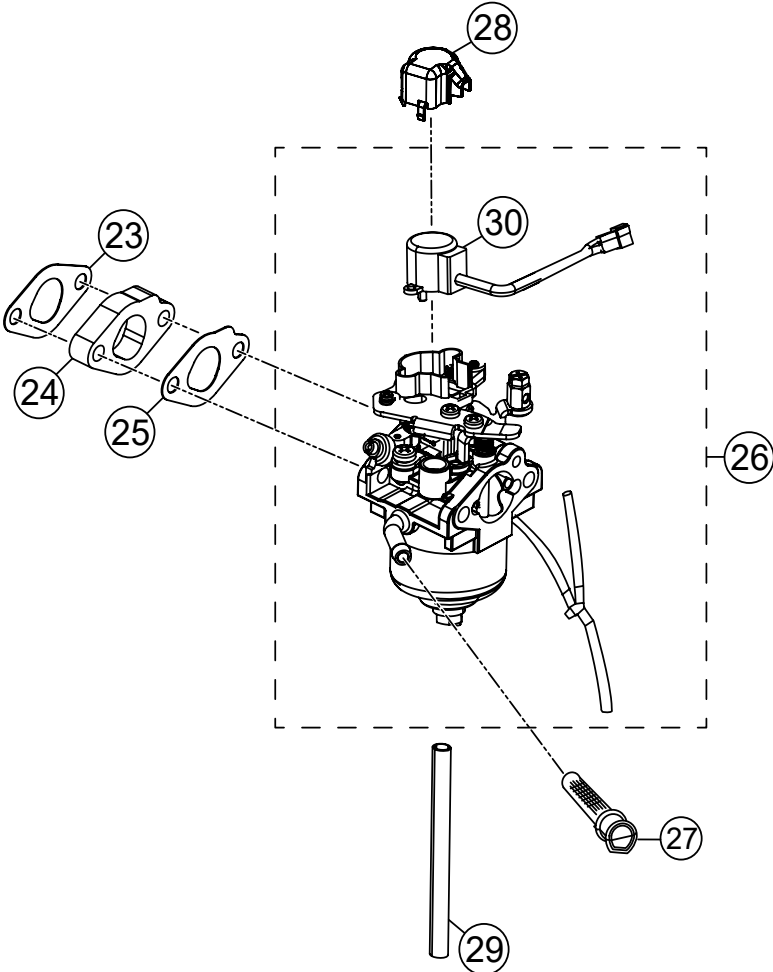
AIR CLEANER ASSY.



AIR CLEANER ASSY.

<u>NO.</u>	<u>PART NO.</u>	<u>PART NAME</u>	<u>QTY.</u>	<u>REMARKS</u>
15	EEN0012200	CLEANER, AIR	1.....	INCLUDES ITEMS W/\$
16	EEN0012300	GASKET, AIR CLEANER	1	
17	EEN0012400	DUCT, AIR CLEANER INTAKE	1	
18	EEN0007200	NUT, M6	2	
19	EEN0005900	FLANGE BOLT, M5X20	1	
20	EEN0009900	FLANGE BOLT, M6X20	1	
21\$	EEN0004500	ELEMENT, AIR CLEANER	1	
22\$	EEN0013300	RUBBER, SEAL	1	

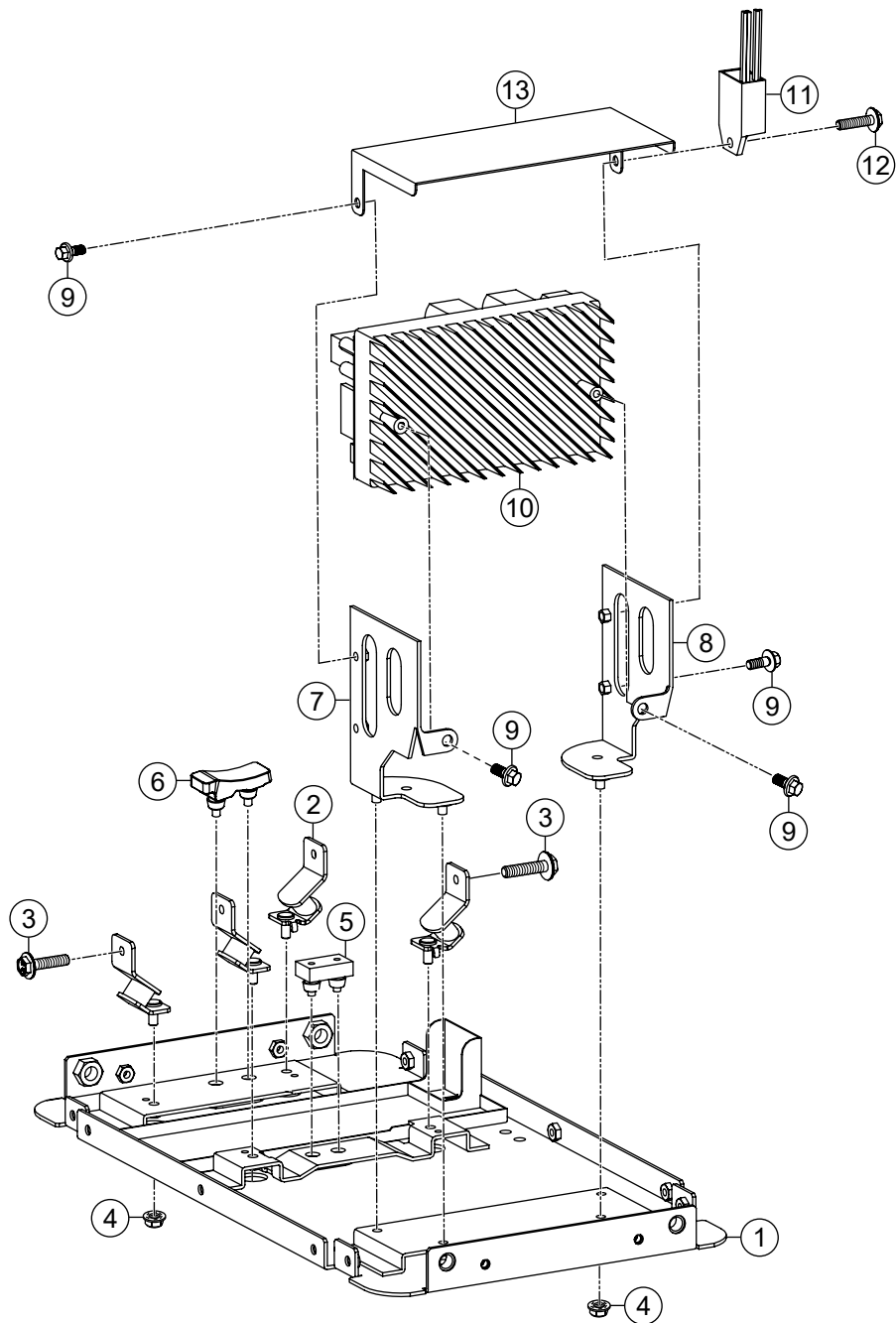
CARBURETOR ASSY.



CARBURETOR ASSY.

<u>NO.</u>	<u>PART NO.</u>	<u>PART NAME</u>	<u>QTY.</u>	<u>REMARKS</u>
23	EEN0011900	GASKET	1	
24	EEN0012000	PLATE, CARBURETOR INSULATOR	1	
25	EEN0012100	GASKET	1	
26	EEN0018000	CARBURETOR.....	1.....	INCLUDES ITEMS W/\$
27	EEN0005600	FUEL FILTER	1	
28	EEN0005500	CAP	1	
29	EEN0014400	TUBE, FUEL DRAIN	1	
30\$	EEN0015200	THROTTLE MOTOR	1	

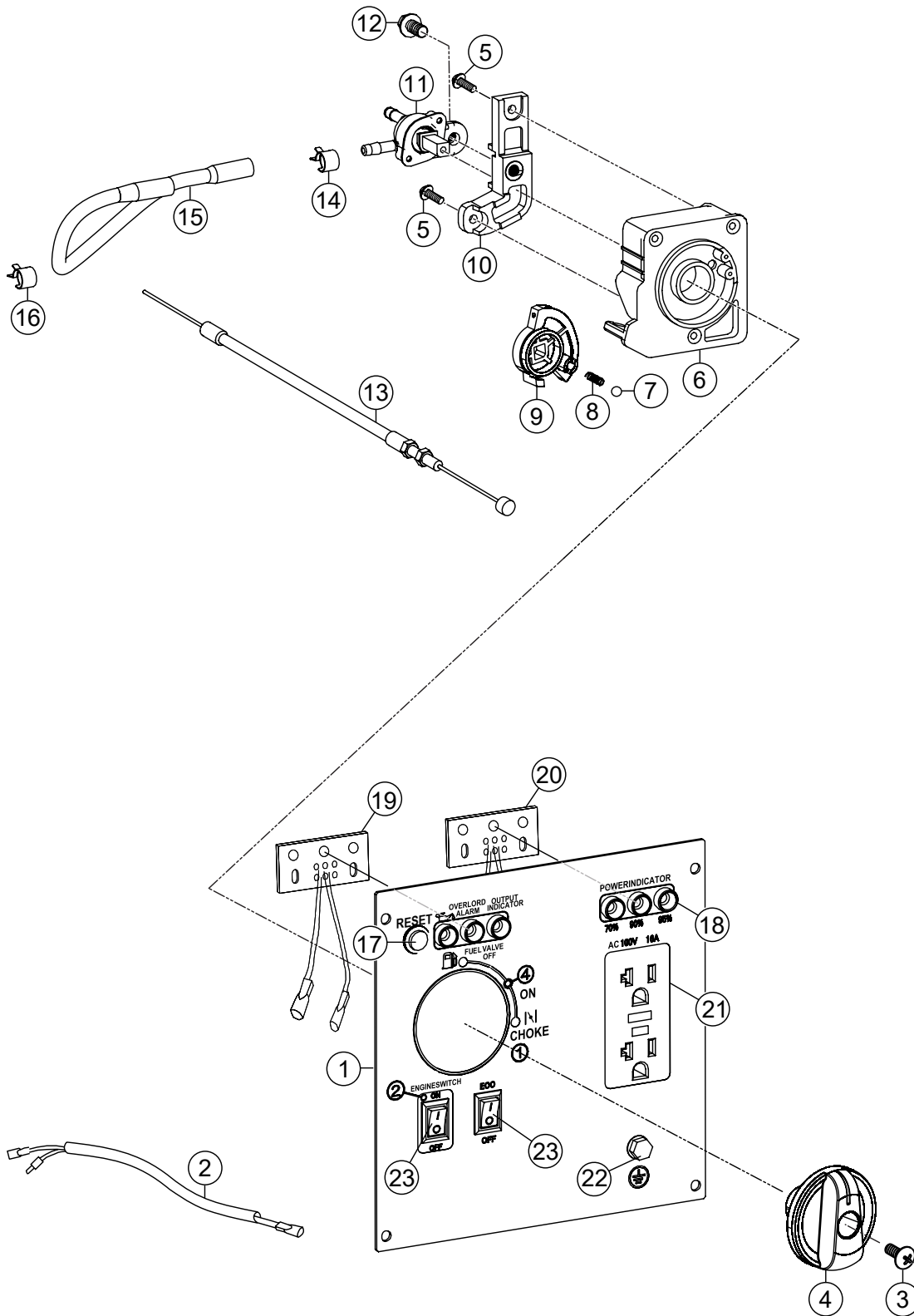
INVERTER ASSY.



INVERTER ASSY.

<u>NO.</u>	<u>PART NO.</u>	<u>PART NAME</u>	<u>QTY.</u>	<u>REMARKS</u>
1	EEN0016400	PLATE, BOTTOM	1	
2	EEN0007300	ENGINE MOUNT, RUBBER ISOLATOR	4	
3	EEN0007100	FLANGE BOLT, M6X14	4	
4	EEN0007200	NUT M6	8	
5	EEN0007400	BRACKET, CUSHION RUBBER	1	
6	EEN0007500	BRACKET, CUSHION RUBBER	1	
7	EEN0016500	BRACKET SUPPORT, INVERTER (L)	1	
8	EEN0016600	BRACKET SUPPORT, INVERTER (R)	1	
9	EEN0006100	FLANGE BOLT, M6X12	4	
10	EEN0016700	INVERTER	1	
11	EEN0016800	POWER INDICATOR CONTROLLER	1	
12	EEN0006800	FLANGE BOLT, M6X16	1	
13	EEN0016900	BAFFLE PLATE	1	

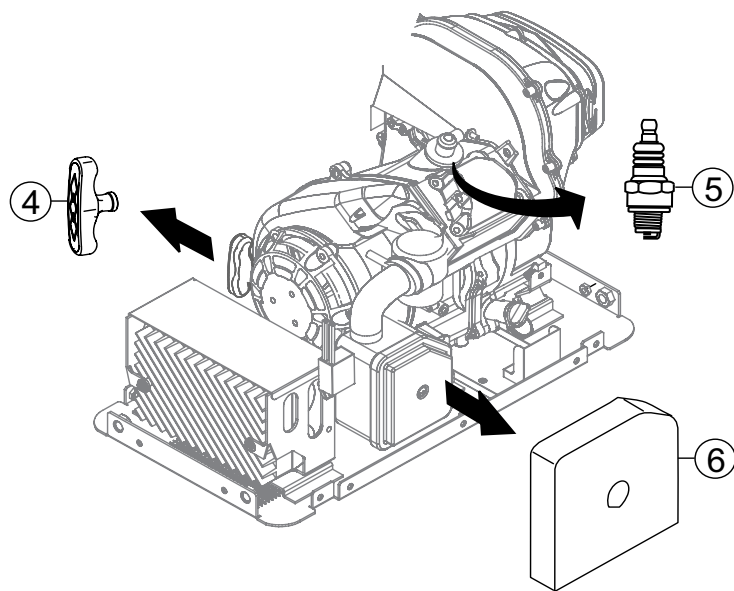
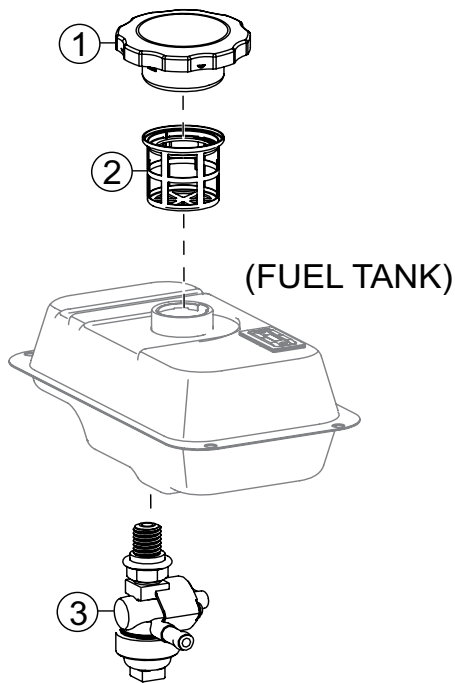
CONTROL PANEL ASSY.



CONTROL PANEL ASSY.

<u>NO.</u>	<u>PART NO.</u>	<u>PART NAME</u>	<u>QTY.</u>	<u>REMARKS</u>
1	EEN0017800	PANEL, CONTROL	1	
2	EEN0017100	HARNESS, CONTROL PANEL WIRING	1	
3	EEN0006600	SCREW M4X12	1	
4	EEN0006700	KNOB	1	
5	EEN0018300	SCREW, CROSS GROOVE PAN M4X16	3	
6	EEN0013600	CONTROL BOX	1	
7	EEN0013800	BALL, STEEL	1	
8	EEN0013900	SPRING, STOPPER ADJUSTING	1	
9	EEN0013700	CHOKE POSITIONER GUIDE	1	
10	EEN0014000	BRACKET, FUEL COCK	1	
11	EEN0014100	FUEL COCK	1	
12	EEN0004900	FLANGE BOLT M6X12	1	
13	EEN0014200	CHOKE CABLE	1	
14	EEN0017200	FUEL HOSE CLAMP	1	
15	EEN0017300	TUBE, FUEL	1	
16	EEN0005700	FUEL HOSE CLAMP	1	
17	EEN0006200	RESET BUTTON	1	
18	EEN0014900	SLEEVE, INDICATOR	6	
19	EEN0015000	WARNING INDICATOR	1	
20	EEN0015100	POWER INDICATOR	1	
21	EEN0017400	G.F.C.I., RECEPTACLE	1	
22	EEN0006500	GROUND TERMINAL	1	
23	EEN0007600	SWITCH, ENGINE/ECO	2	

ENGINE SERVICE PARTS



ENGINE SERVICE PARTS

<u>NO.</u>	<u>PART NO.</u>	<u>PART NAME</u>	<u>QTY.</u>	<u>REMARKS</u>
1	EEN0015500	CAP, FUEL TANK	1	
2	EEN0015400	STRAINER, FUEL	1	
3	EEN0016100	FUEL COCK	1	
4	EEN0002000	GRIP, RECOIL STARTER	1	
5	EEN0004600	PLUG, SPARK	1	
6	EEN0004500	ELEMENT, AIR CLEANER	1	