

PARTS AND OPERATION MANUAL



WetScreed — K200

© COPYRIGHT 2001, MULTIQIP INC.

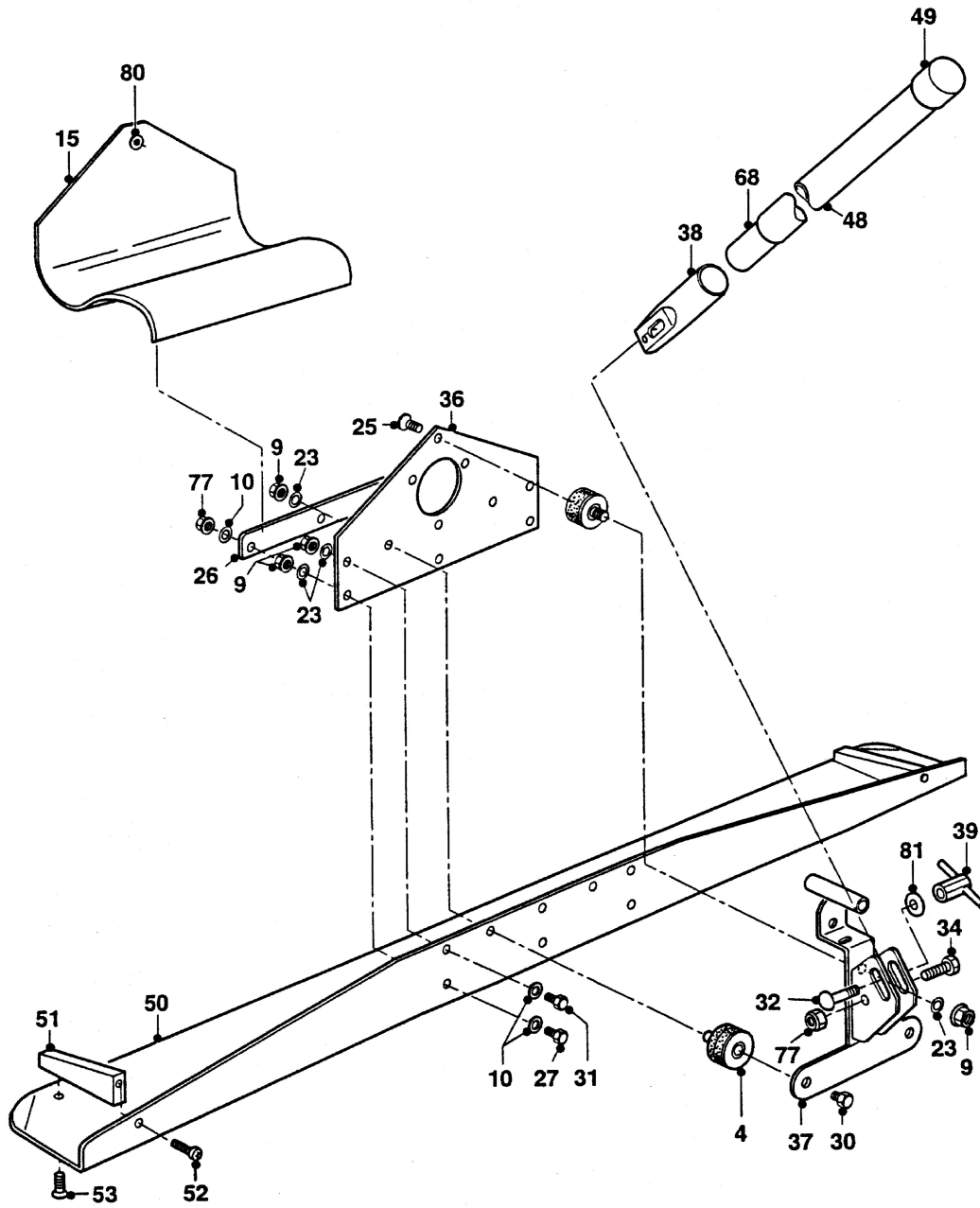
Revision #2 (03/12/01)



MULTIQIP INC.
18910 WILMINGTON AVE.
CARSON, CALIFORNIA 90746
310-537-3700
800-421-1244
FAX: 310-537-3927

PARTS DEPARTMENT:
800-427-1244
FAX: 800-672-7877
SERVICE DEPARTMENT:
800-478-1244
FAX: 310-537-4259

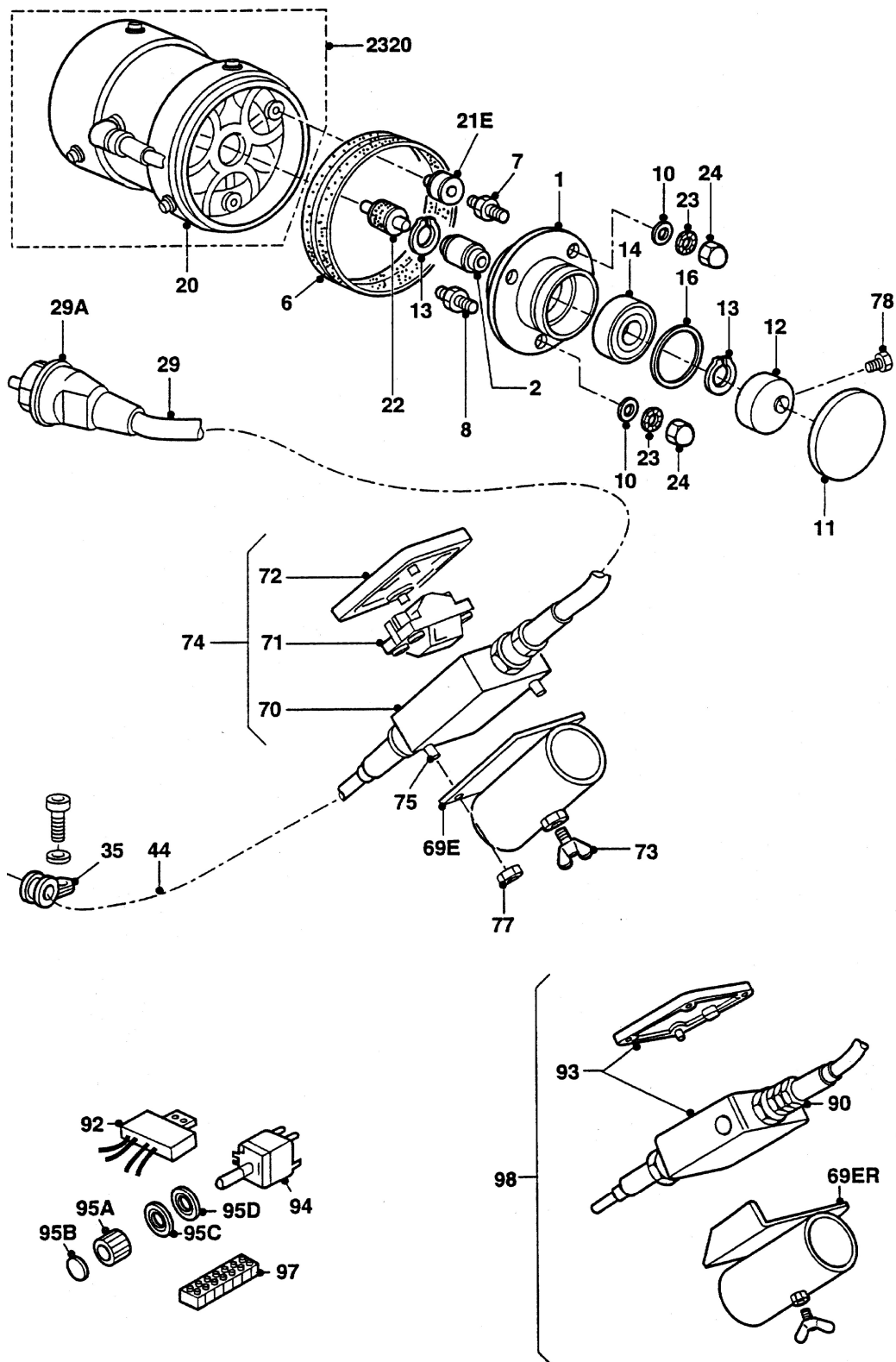
E-mail: mq@multiquip.com • www.multiquip.com
Atlanta • Boise • Dallas • Houston • Newark
Montreal, Canada • Manchester, UK
Rio De Janeiro, Brazil • Guadalajara, Mexico



K 200 FRAME

<u>NO</u>	<u>PART NO</u>	<u>PART NAME</u>	<u>QTY.</u>	<u>REMARKS</u>
4	BF0061	RUBBER BUFFER	3	
9	BF0107	NUT M8	8	
10	BF0155	WASHER M1	11	
15	BF2315	MUD-FLAP	1	
23	BF0212	RETAINING RING M8	8	
25	BF0255	COUNTERSUNK (HEXAGON SCREW) M8 X 12	1	
26	BF2326	ASSEMBLY STRIP MUD-FLAP	1	
27	BF0128	BOLT M8 X 30	3	
30	BF0124	BOLT M8 X 10	2	
31	BF0126	BOLT M8 X 20	2	
32	BF0110	SAFETY SCREW M8 X 40	1	
34	BF0129	BOLT M8 X 40	1	
36	BF2336	ASSEMBLY PLAT EXCENTER	1	
37	BF2337	ASSEMBLY BRACKET	1	
38	BF2338	SHAFT	1	
39	BF2339	LOCK (OPERATING HANDLE)	1	
48	BF2348	OPERATING HANDLE 150 CM	1	
49	BF2349	ENDCAP	1	
50	BF23501B/E	ALUM. PROFILE 150 CM	1	
51	BF2351	PLASTIC ENDCAP	2	
52	BF0230	SELF TAPPING SCREW	2	
53	BF0132	SELF TAPPING SCREW	2	
68	BF23068	DIP IN OPERATING HANDLE	1	
77	BF0101	SELF LOCKING NUT M8	4	
80	BF2380	QUICK COUPLER, MUD-FLAP	1	
81	BF0162	WASHER (LARGE)	1	

K200 — ELECTRIC DRIVE-UNIT AND SWITCH

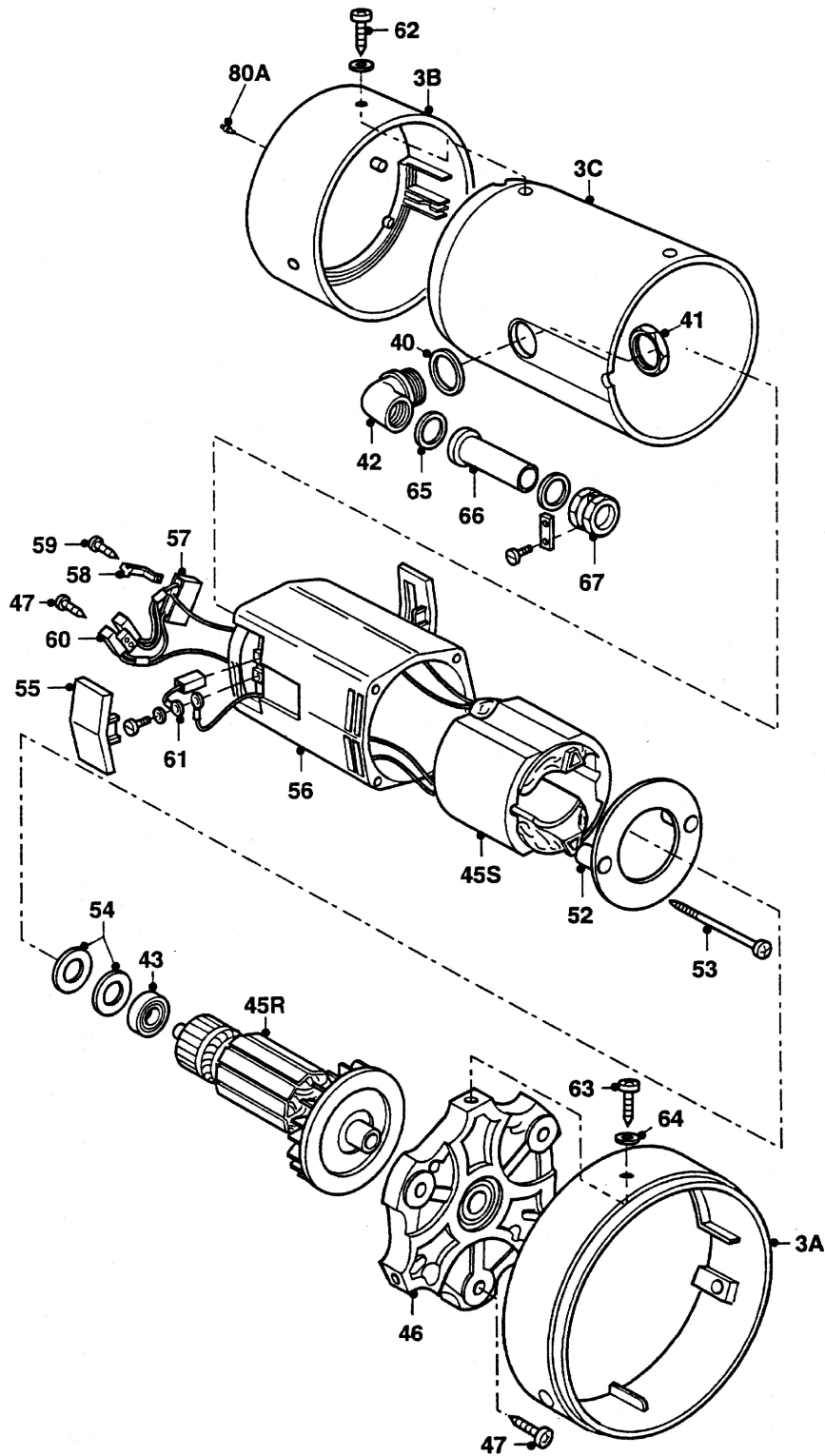


K200 — ELECTRIC DRIVE-UNIT AND SWITCH

K 200 ELECTRIC UNIT AND SWITCH

<u>NO</u>	<u>PART NO</u>	<u>PART NAME</u>	<u>QTY.</u>	<u>REMARKS</u>
1	BF2301	EXCENTER-HOUSING	1	
2	BF2302	EXCENTER-SHAFT	1	
6	BF2306	RUBBER SEAL	1	
7	BF2307	ADAPTOR-BOLT (SHORT)	2	
8	BF2308	ADAPTOR-BOLT (LARGE)	1	
10	BF0155	WASHER	3	
11	BF2311	COVER (EXCENTER HS.)	1	
12	BF2312	EXCENTER	1	
13	BF0201	LOCKING	2	
14	BF2314	EXCENTER-BEARING	1	
16	bf0204	LOCKRING	1	
20	bf2320	drive-unit (complete)	1	
21E	BF0051	RUBBER BUFFER	3	
22	BF0052	COUPLING-RUBBER	1	
23	BF0212	RETAINING RING M8	3	
24	BF0088	CAPNUT	3	
29	BF0004	CABLE 2 X 2.5 MM 2	15	
29A	BF0030	PLUG 220 V.	1	
35	BF2335	CABLE-CLAMP	1	
44	BF0004	CABLE (P/M)	2	
69E	BF2369E	SWITCH ASSEMBLY BRACKET (E)	1	
69ER	BF2369ER	SWITCH ASSEMBLY BRACKET (ER)	1	
70	BF23070	SWITCH HOUSING	1	
71	BF23071	ROCKER-SWITCH (ONLY)	1	
72	BF23072	SWITCH-COVER	1	
73	BF0325	WING-SCREW	1	
74	BF23074	SWITCH COMPLETE	1	
75	BF0261	SCREW	2	
77	BF0099	SELF-LOCKING NUT	2	
78	BF0122	SCREW	1	
90	BF0420	PACKING BOX	2	
91	BF0421	NUT	2	
92	BF2392	SPEED-REGULATOR (ONLY)	1	
93	BF2393	SWITCH-BOX (SPEED-REGULATOR)	1	
94	BF2394	POTENTIOMETER & SWITCH	1	
95A	BF2395A	KNOB (POTENTIOMETER)	1	
95B	BF2395B	KNOB-CAP	1	
95C	BF2395C	FIGURE DIAL	1	
95D	BF2395D	STATOR	1	
97	BF2397	TERMINAL-BLOC	1	
98	BF2398	SPEED-REGULATOR COMPL. (INCL. BRACKET)	1	
99	BF2399	SPEED-REGULATOR COMPL. (EXCL. BRACKET)	1	

K200 — ELETRIC DRIVE-UNIT COMPONENTS

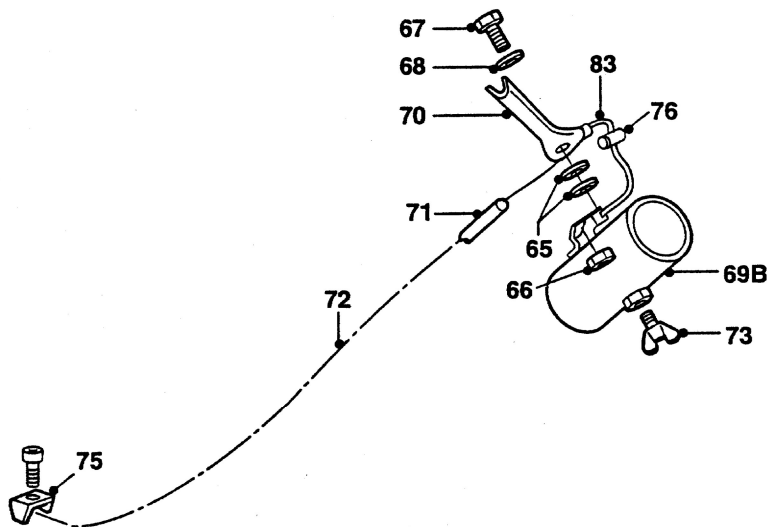
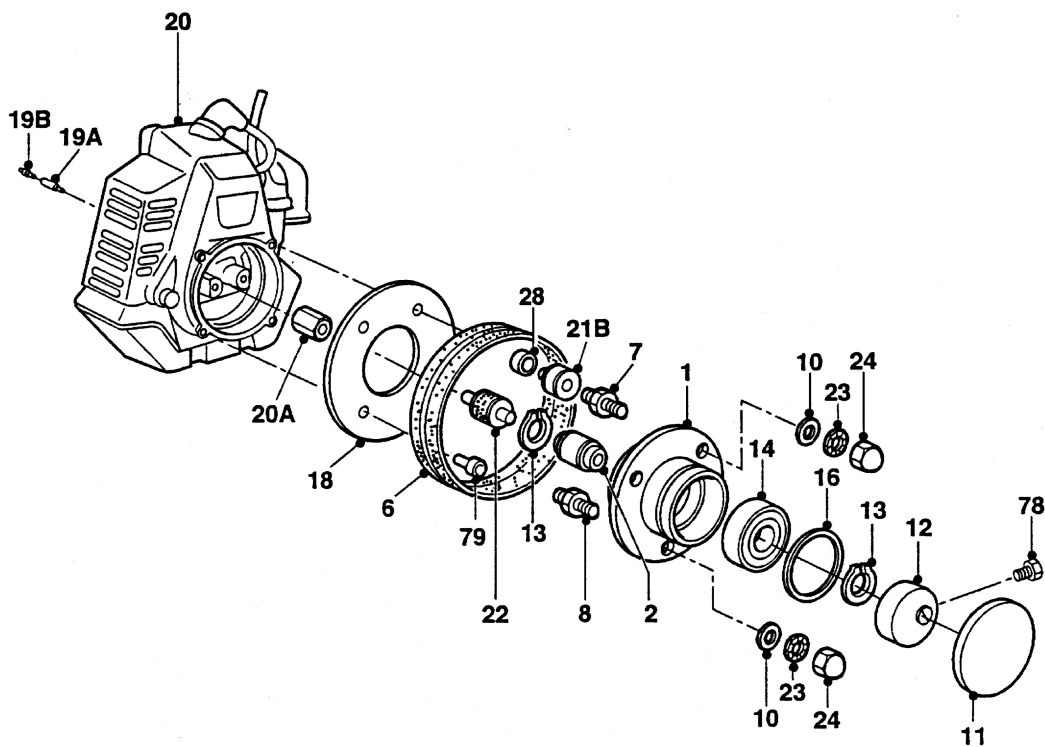


K200 — ELETIC DRIVE-UNIT COMPONENTS

K 200 ELECTRIC DRIVE-UNIT COMPONENTS

<u>NO</u>	<u>PART NO</u>	<u>PART NAME</u>	<u>QTY.</u>	<u>REMARKS</u>
3A	BF2303A	VENTILATION RING (SMALL)	1	
3B	BF2303B	VENTILATION RING (LARGE)	1	
3C	BF2303C	VENTIATION HOUSING	1	
20	BF2320	DRIVE-UNIT (COMPLETE)	1	
40	BF0428	RUBBER RING	1	
41	BF0421	PLASTIC NUT	1	
42	BF0430	PACKING BOX	1	
43	BF1101220240	REAR-BEARING	1	
45S	BF2345S	STATOR	1	
45R	BF2345R	ROTOR	1	
46	BF2346	FRONTSIELD	1	
47	BF0249	SELF TAPPING SCREW	5	
52	BF1101220170	VENTILATOR-COVER	1	
53	BF1101220200	SCREW	2	
54	BF1101220250	SPRING SOURCER	2	
55	BF1101220220	BRUSH COVER	2	
56	BF1101220180	MOTOR-HOUSING	1	
57	BF2357	CAPACITOR	1	
58	BF2358	CAPACITOR-CLAMP	1	
59	BF0248	SELF TAPPING SCREW	3	
60	BF2360	TERMINAL-BLOC	1	
61	BF1101220230	SET OF BRUSHES	1	
62	BF0230	SELF TAPPING SCREW	3	
63	BF0231	SELF TAPPING SCREW	3	
64	BF0154	WASHER	3	
65	BF0417	PRESSING RING	2	
66	BF0415	CABLE-SLEEVE	1	
67	BF0416	CABLE-PACKING-BOX	1	
80A	BF2380A	PIN (QUICK COUPLER)	1	

K200 — GAS DRIVE-UNIT AND GAS THROTTLE



K200 — GAS DRIVE-UNIT AND GAS THROTTLE

K 200 GAS DRIVE-UNIT AND GAS THROTTLE

<u>NO</u>	<u>PART NO</u>	<u>PART NAME</u>	<u>QTY.</u>	<u>REMARKS</u>
1	BF2301	EXCENTER-HOUSING	1	
2	BF2302	EXCENTER-SHAFT	1	
6	BF2306N	RUBBER SEAL	1	
7	BF2307	ADAPTOR-BOLT (SHORT)	2	
8	BF2308	ADAPTOR-BOLT (LARGE)	1	
10	BF0155	WASHER	3	
11	BF2311	COVER (EXCENTER HS.)	1	
12	BF231213	EXCENTER	1	
13	BF0201	LOCKRING	2	
14	BF2314	EXCENTER-BEARING	1	
16	BF0204	LOCKRING	1	
18	BF2318N	ENGINE BRACKET	1	
19	BF2319	ASSEMBLY PIN MUD-FLAP (COMPLETE)	1	
19A	BF2319A	ALUM. ASSEMBLY PIN	1	
19B	BF2319B	QUICK COUPLER SCREW (MUD-FLAP)	1	
20	BF2302666020	PETROL ENGINE	1	
20A	BF2320A	ENGINE ADAPTOR	1	
21B	BF0055	RUBBER BUFFER	3	
22	BF0052	COUPLING-RUBBER	1	
23	BF0212	RETAINING RING M8	3	
24	BF0088	CAPNUT	2	
28	BF2328	SPACER	3	
65	BF2365	FIBRE RING	2	
66	BF0089	NUT	1	
67	BF0123	BOLT	1	
68	BF0154	WASHER	1	
69B	BF2369B	GAS HANDLE & BRACKET	1	
70	BF2302666700	GAS HANDLE (ONLY)	1	
71	BF2371	THROTTLE-CABLE (OUTER)	1	
72	BF2372	THROTTLE-CABLE (INNER)	1	
73	BF0325	WING-SCREW	1	
75	BF2375	ASSEMBLY-BRACKET	1	
76	BF2376	THROTTLE-CALBE STOPPER	1	
78	BF0122	SCREW	1	
79	BF0123	NUT	4	
83	BF2383	SPRING	1	
84	BF2384	DRIVE-SHAFT ASSY	1	
	BFKAWA 04	FILTER ASSY	1	
	BFKAWA 05	FILTER (ONLY)	1	
	BFKAWA 09	EXHAUST	1	
	BFKAWA 31	CARBURATOR	1	
	BFKAWA 38	FUEL TANK	1	
	BFKAWA 41	FUEL FILTER ASSY	1	
	BFKAWA 50	FUEL CAP	1	
	BFKAWA 51	BREATHER	1	
	BFKAWA 72	SPARK PLUG	1	
	BFKAWA 76	RECOIL STARTER ASSY	1	
	BFKAWA DIV.	GASKET SET (CARBURATOR)	1	
	BF23510	PETROL DRIVE UNIT ASSY (ENGINE & COMPONENTS)	1	