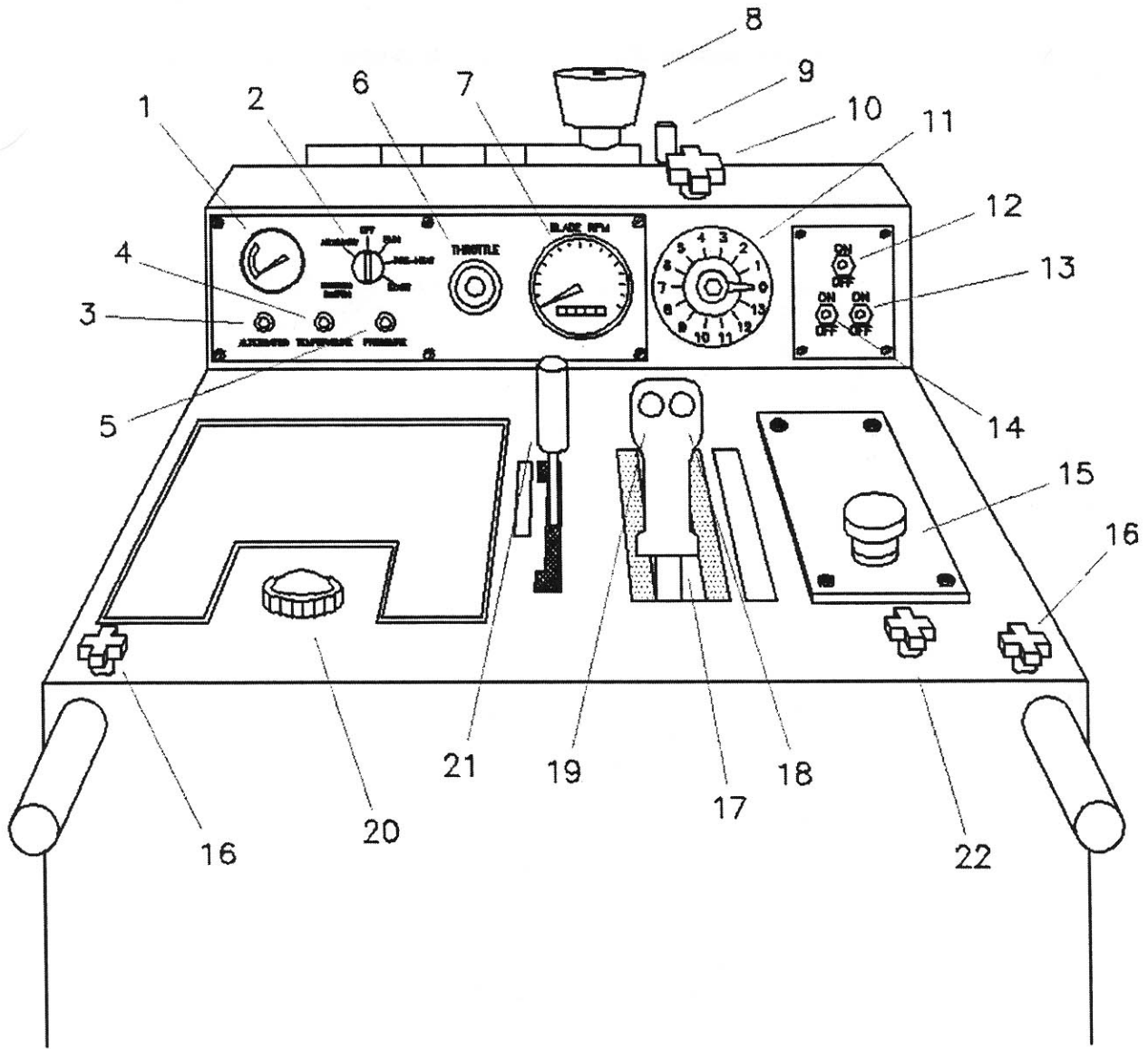


DIAMOND
PRODUCTS

CONCRETE SAW
PARTS LIST

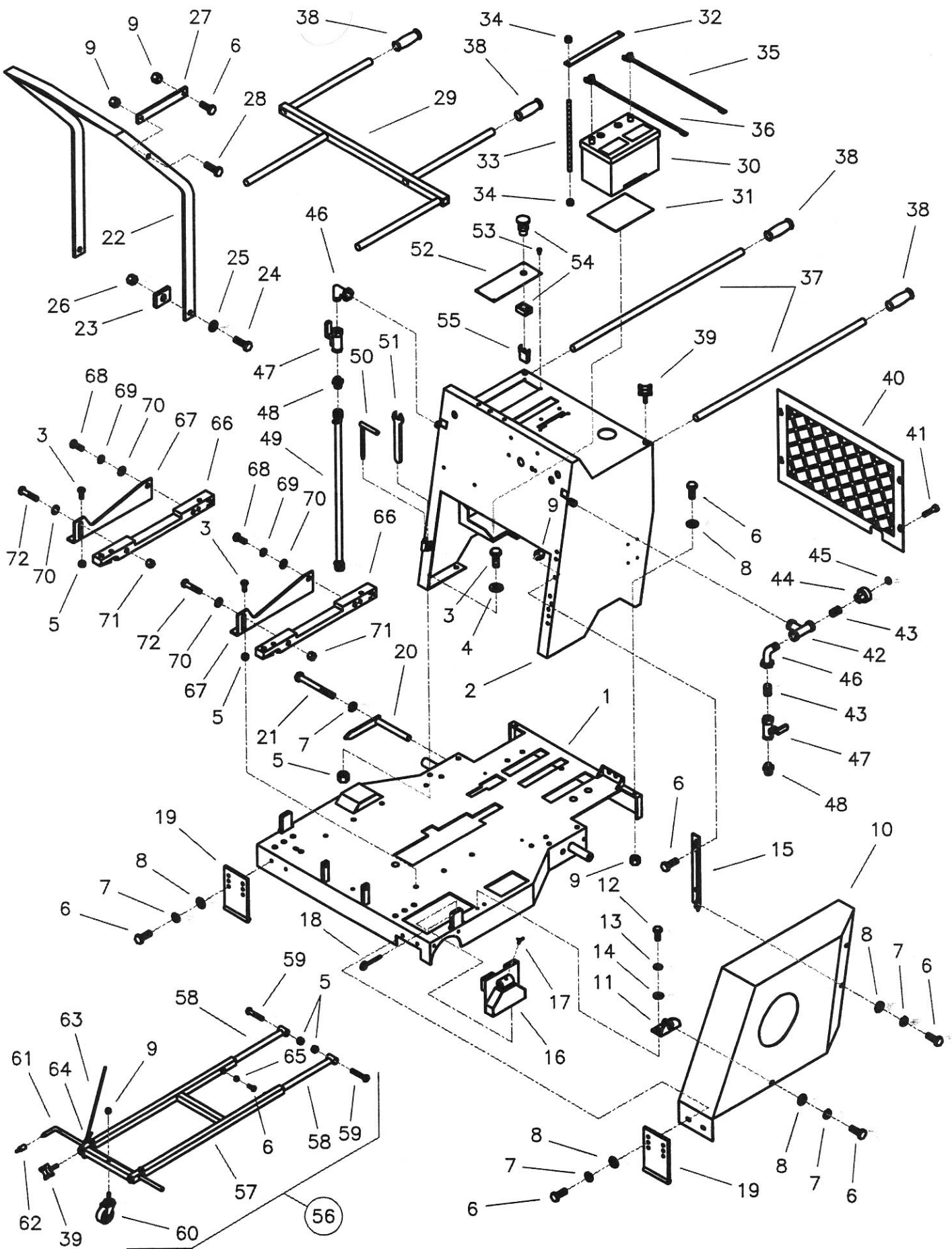
MODEL
CC7100

(REVISED 01-21-02)



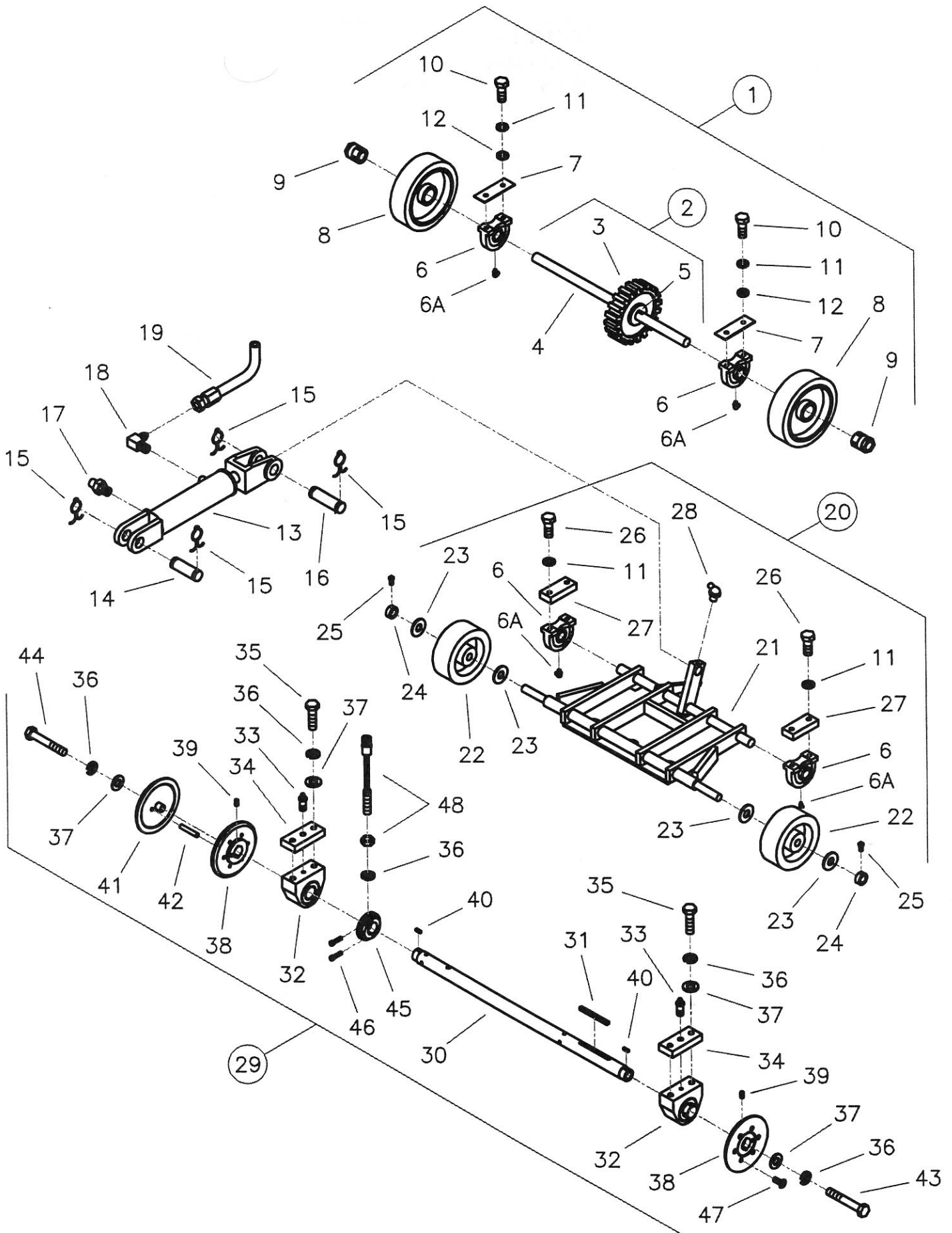
CC7100 Diesel Saw Controls Legend

- | | | | |
|----|-----------------------------------|----|--|
| 1 | Engine Temperature Gauge | 12 | Water Safety Switch (Optional) |
| 2 | Ignition Switch | 13 | Spotlight Switch (Optional) |
| 3 | Alternator Light (Orange) | 14 | Water Pump Switch (Optional) |
| 4 | Oil Temperature Light (Red) | 15 | Emergency Stop Button |
| 5 | Oil Pressure Light (Green) | 16 | Handle Lock Knobs |
| 6 | Vernier Throttle Control | 17 | Speed Control Lever |
| 7 | Blade Tachometer / Hour Meter | 18 | Lower Pushbutton |
| 8 | Pre-Cleaner | 19 | Raise Pushbutton |
| 9 | Air Cleaner Restriction Indicator | 20 | Fuel Tank Cap |
| 10 | Depth Stop Knob | 21 | Transmission Engagement Lever |
| 11 | Cutting Depth Indicator | 22 | Lowering Speed Metering Valve (Optional) |



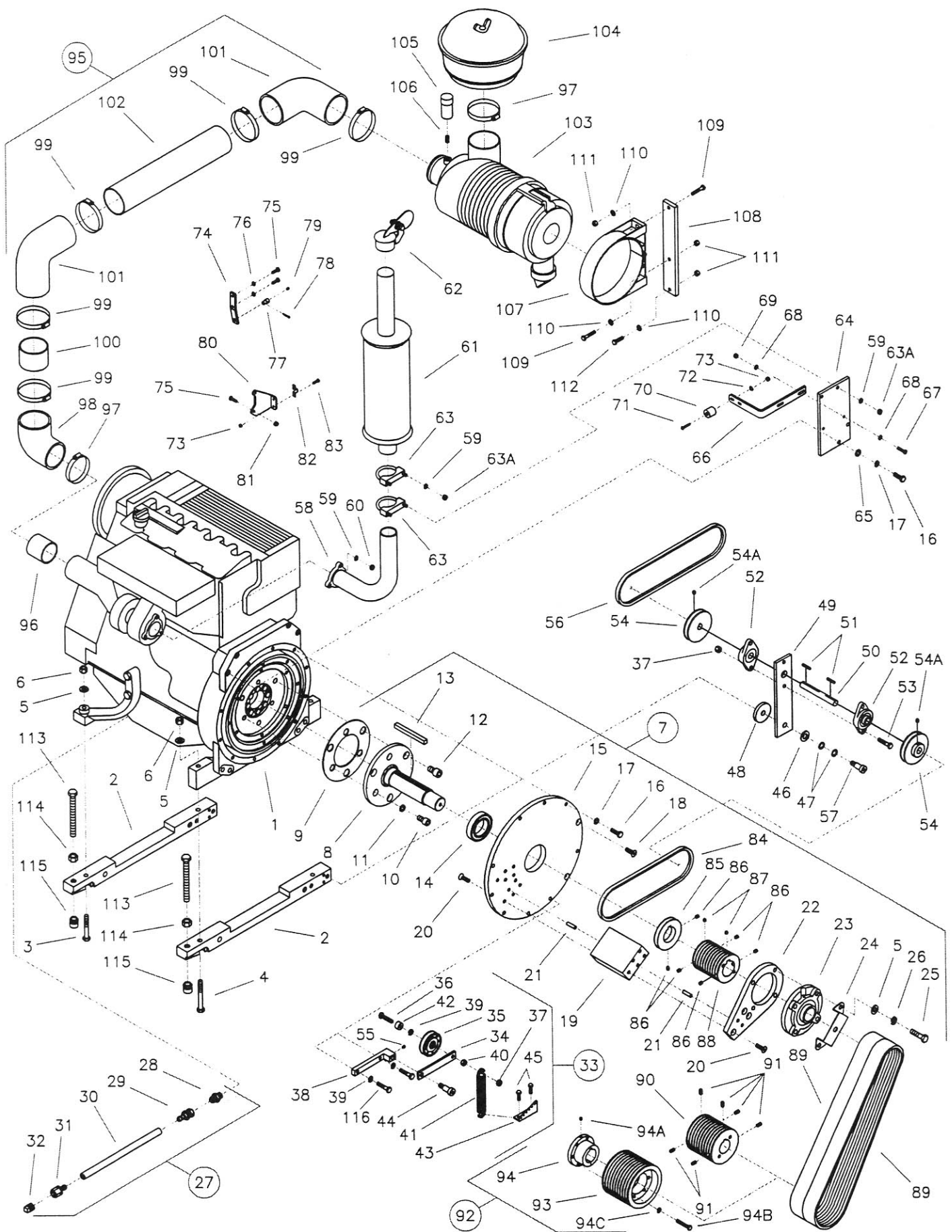
CC7100 Parts List
Drawing I
Frame Group

Diagram Number	Part No.	Qty. Req.	Description	Diagram Number	Part No.	Qty. Req.	Description
1	6013048	1	Frame Base	37	6013054	2	Handle Bar
2	6010001	1	Frame Upright	38	2500636	4	Handle Grip
3	2900025	10	Capscrew, Hex Hd., 1/2"-13 x 1-1/4"	39	2900234	4	Hand Lock Knob, 3/8"-16
4	2900058	4	Flat Washer, 1/2" SAE	40	6010015	1	Rear Cover Screen
5	2900026	12	Lock Nut, 1/2"-13 Nylon	41	2900180	4	Machine Screw, Hex Washer Hd., 1/4"-20 x 1"
6	2900005	15	Capscrew, Hex Hd., 3/8"-16 x 1"	42	3200045	1	Pipe Tee, 1/2" NPT
7	2900006	9	Lock Washer, 3/8" Split	43	3200008	2	Close Nipple, 1/2" NPT
8	2900014	9	Flat Washer, 3/8" SAE	44	3200022	1	Fitting, 1/2" Female Pipe to 3/4" Female Garden Hose
9	2900018	9	Lock Nut, 3/8"-16 Nylon	45	3200025	1	Filter Hose Washer
10	6013050	1	Belt Guard	46	3200013	2	Street Elbow, 1/2" NPT
11	6011110	1	Guard Mounting Tab	47	3200027	2	Water Valve
12	2900019	2	Capscrew, Hex Hd., 5/16"-18 x 3/4"	48	3200155	2	Fitting, 1/2" Male Pipe to 3/4" Male Garden Hose
13	2900031	2	Lock Washer, 5/16" Split	49	6010021	1	Hose Assembly, 42" Long
14	2900022	2	Flat Washer, 5/16" SAE	50	2900154	1	Bladeshaft Lock-Pin
15	6013021	1	Belt Guard Mounting Bracket	51	2500211	1	Bladeshaft Wrench, 15/16"
16	6011046	1	Shaft/Flange Guard (Narrow) for 4-1/2" and 6" Diameter Flange	52	6010019	1	Hydraulic Pump Cover Plate
	6011187	1	Shaft/Flange Guard (Wide) for 4-1/2" and 6" Diameter Flanges	53	2900021	4	Tapscrew, Pan Hd., #10-24 x 3/8"
	6013037	1	Shaft/Flange Guard for 8" Dia. Flange	54	2800213	1	Emergency Stop Button
17	2900307	1	Wing Screw, M6 x 16mm	55	2800229	1	Contact Block N.C.
18	2900156	1	Lock Pin	2800214	1	Contact Block N.O. (Other Models)	
19	6013038	2	Skid Plate	56	6013056	1	Front Pointer Assembly
20	6013024	2	Rear Pointer	57	6011201	1	Front Pointer Frame
21	2900232	2	Capscrew, Hex Hd., 3/8"-16 x 7"	58	6011152	2	Front Pointer Arm
22	6013051	1	Frame Lift	59	2900105	2	Capscrew, Hex Hd., 1/2"-13 x 2-3/4"
23	6013053	2	Frame Lift Spacer	60	2501199	1	Caster, Threaded Stem
24	2900465	2	Capscrew, Hex Hd., 3/4"-10 x 2-1/4"	61	6013025	1	Front Pointer Rod
25	2900003	2	Flat Washer, 3/4" SAE	62	2500740	1	Pointer Cap
26	2900467	2	Lock Nut, 3/4"-10 Nylon	63	6013055	1	Pointer Cable
27	6013052	2	Frame Lift Brace	64	3200221	3	Cable Clamp
28	2900013	2	Capscrew, Hex Hd., 3/8"-16 x 1-1/4"	65	2900033	2	Hex Nut, 3/8"-16
29	6013088	1	Offset Handlebar	66	6013008	2	Engine Support Leg
30	2700208	1	Battery, 12 Volt	67	6013034	2	Engine Mount
31	6010016	1	Battery Pad	68	2900147	2	Capscrew, Hex Hd., 5/8"-11 x 1-3/4"
32	6010017	1	Battery Top Brace	69	2900113	2	Lock Washer, 5/8" Split
33	6010018	2	Rod, 1/4"-20 x 8-1/2"	70	2900002	4	Flat Washer, 5/8" SAE
34	2900010	4	Lock Nut, 1/4"-20 Nylon	71	2900135	2	Lock Nut, 5/8"-11 Nylon
35	2800073	1	Battery Cable, Positive (Red)	72	2900195	2	Capscrew, Hex Hd., 5/8"-11 x 3"
36	2800072	1	Battery Cable, Negative (Black)				



CC7100 Parts List
Drawing II
Blade Shaft and Axles Group

Diagram Number	Part No.	Qty. Req.	Description	Diagram Number	Part No.	Qty. Req.	Description
1	6010280	1	Rear Axle Assembly (Includes #2 - #12)	29	6013075	1	Blade Shaft Assembly with 4-1/2" Diameter Flanges (Includes #30 - #46)
2	6010279	1	Rear Axle Weldment (Includes #3 - #5)				
3	6010284	1	Wheel Drive Gear, 68 Tooth (New Models)	6013076	1	Blade Shaft Assembly with 6" Diameter Flanges (Includes #30 - #46)	
	2500146	1	Wheel Drive Gear, 84 Tooth (Old Models)	6013077	1	Blade Shaft Assembly with 8" Diameter Flanges (Includes #30 - #47)	
4	6010278	1	Rear Axle	30	6013049	1	Blade Shaft, 1-3/4" Diameter
5	6010169	1	Key, 1/4" Sq. x 1-1/4"	31	6010034	1	Key, 3/8" Sq. x 5"
6	2500158	4	Pillow Block Bearing 1-1/4"	32	2500151	2	Blade Shaft Bearing 1-3/4"
6A	2900061	4	Grease Fitting, 1/4"-28 x 90°	33	2900264	2	Grease Fitting, 1/8" NPT x 1-3/4"
7	6010024	2	Rear Axle Bearing Spacer, 1/8"	34	6013019	2	Blade Shaft Bearing Spacer, 1"
8	2500873	2	Wheel, 10" Rear with 2" Bore	35	2900524	4	Capscrew, Hex Hd., 5/8"-11 x 2-1/4"
9	2500874	2	Trantorque Bushing, 1-1/4"	36	2900113	7	Lock Washer, 5/8" Split
10	2900139	4	Capscrew, Hex Hd., 1/2"-13 x 1-3/4"	37	2900002	6	Flat Washer, 5/8" SAE
11	2900084	8	Lock Washer, 1/2" Split	38	6010036	2	Inner Flange 4-1/2" for 14" - 26" Blade Guards
12	2900058	4	Flat Washer, 1/2" SAE				
13	2500555	1	Hydraulic Cylinder	6010038	2	Inner Flange 6" for 30" & 36" Blade Guards	
	2501012	1	(Seal Kit)				
14	6010031	1	Cylinder Pin, 3"	6013017	2	Inner Flange 8" for 42" Blade Guard	
15	2900064	4	Hair Pin Cotter, 3/4"	39	2900418	2	Setscrew, Soc. Hd., 5/16"-18 x 5/8" (4 Required for 8" Flanges)
16	6010119	1	Cylinder Pin, 3-1/2"				
17	3200067	1	Cylinder Breather, 1/4" NPT	40	6010040	2	Key, 1/4" Sq. x 13/16" (4 Required for 8" Flanges)
18	3200057	1	Elbow, 1/4" Male Pipe to 1/4" Male JIC				
19	3200054	1	Hydraulic Hose Assembly, 32" Long	41	6010037	1	Outer Flange 4-1/2" with Drive Pin for 14" - 26" Blade Guards
20	6013124	1	Front Axle Assembly (New Models)				
	6013057	1	Front Axle Assembly (Old Models) (Includes #6, #11, #21 - #28)	6010039	1	Outer Flange 6" with Drive Pin for 30" & 36" Blade Guards	
21	6013123	1	Front Axle Weldment (New Models)	6013018	1	Outer Flange 8" with Drive Pin for 42" Blade Guard	
	6013003	1	Front Axle Weldment (Old Models)				
22	2500585	2	Wheel, 8" Front	42	2900197	1	Drive Pin Only, 3/8" Dia. x 2"
	2500673	2	(Roller Bearing and Seals Kit)	43	2900146	1	Capscrew, Hex Hd., 5/8"-11 x 4" Right Hand
23	2900145	4	Flat Washer, 1" USS	44	2900130	1	Capscrew, Hex Hd., 5/8"-11 x 4" Left Hand
24	2500009	2	Set Collar, 1"	45	6010230	1	Shaft Tach Gear, 1-3/4" I.D. Split (New Models)
25	2900431	2	Setscrew, Sq. Hd., 5/16"-18 x 1/2"	6013091	1	Shaft Tach Gear, 2" I.D. Split (Old Models)	
26	2900106	4	Capscrew, Hex Hd., 1/2"-13 x 2"	46	2900089	2	Capscrew, Soc. Hd., 1/4"-28 x 1"
27	6013010	2	Front Axle Bearing Spacer, 1"	47	2900235	6	Capscrew, Flat Hd., 3/8"-16 x 1" for 8" Flange Only
28	2900184	1	Grease Fitting, 1/4"-28 x 45°	48	2800170	1	Magnetic Sensor with Wire Connector and Hex Nut

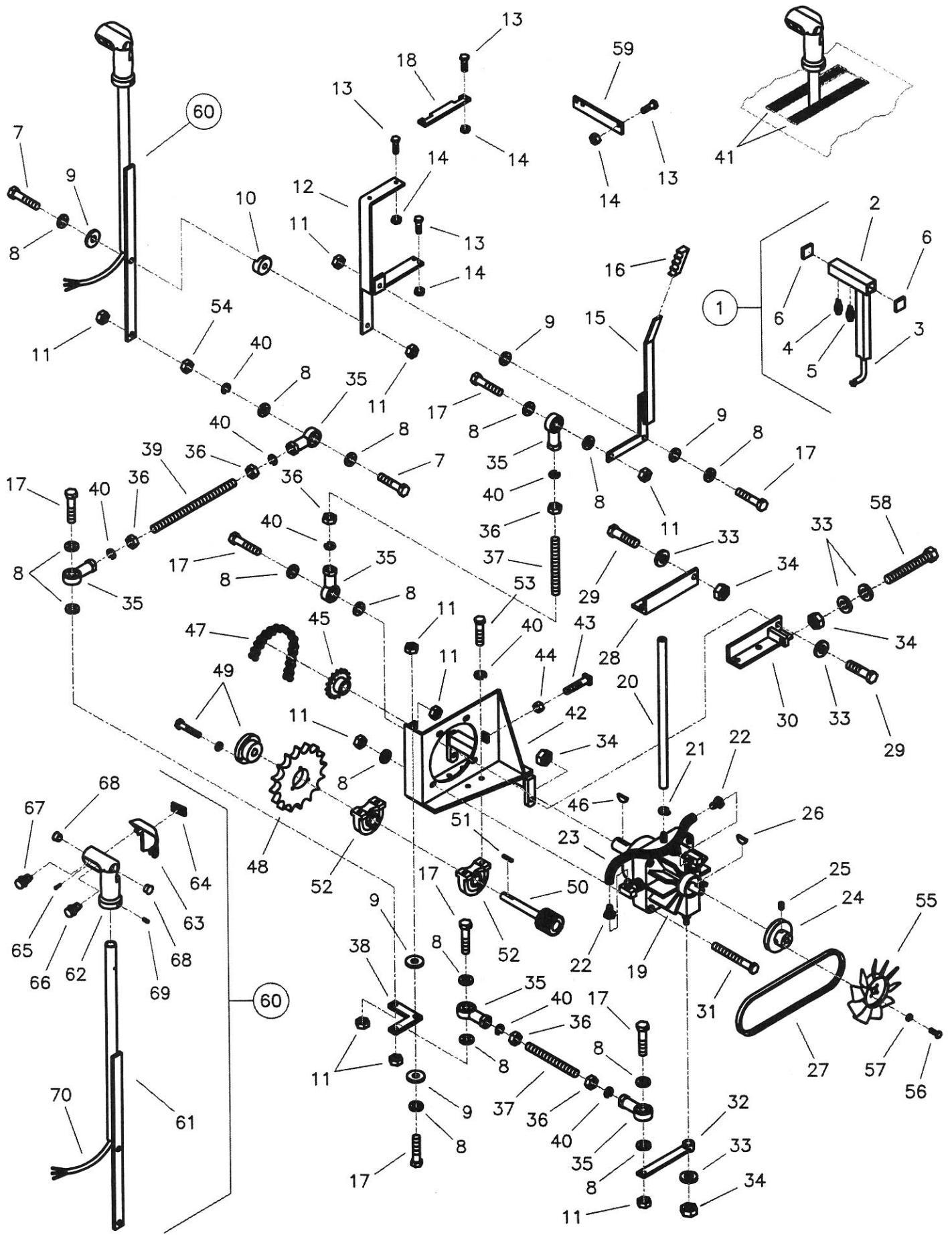


CC7100 Parts List
Drawing III
Engine Group

Diagram Number	Part No.	Qty. Req.	Description	Diagram Number	Part No.	Qty. Req.	Description
1	2600145	1	Engine, Deutz Diesel Model BF4L1011F	41	2501396	1	Spring, 1" Dia. x 6" Long
2	6013008	2	Engine Support Leg	42	2500007	1	Setcollar, 1/2"
3	2900346	2	Capscrew, Hex Hd., M12 x 80mm	43	6011217	1	Idler Spring Bracket
4	2900347	2	Capscrew, Hex Hd., M12 x 100mm	44	2900587	1	Shoulder Screw, 1/2" x 1"
5	2900058	8	Flat Washer, 1/2" SAE	45	2900005	2	Capscrew, Hex Hd., 3/8"-16 x 1"
6	2900327	4	Lock Nut, M12 Nylon	46	2900002	1	Flat Washer, 5/8" SAE
7	6013113	1	PTO Support Assembly (Includes #5, #8 - #26)	47	2900478	2	Bellville Washer, 5/8"
8	6013114	1	PTO Shaft	48	6010538	1	Friction Washer
9	2500938	1	PTO Cushion Ring	49	6010537	1	Jackshaft Mount Plate
10	2900384	3	Capscrew, Soc. Hd., M14 x 25mm	50	6013028	1	Idler Jackshaft
11	2900388	3	Lock Washer, M14 Split (21mm OD)	51	6048229	2	Key, 3/16" Sq. x 1-1/4
12	2900409	3	Capscrew, Soc. Hd., M16 x 25mm	52	2500202	2	Flange Block Bearing, 3/4"
13	6013112	1	Key, 1/2" Square x 5"	53	2900047	2	Capscrew, Hex Hd., 3/8"-16 x 1-3/4"
14	2500925	1	Bearing, 55mm x 90mm x 18mm	54	6013125	2	Pulley, 4" Single Groove with Recess Bore
15	6013106	1	Inner Ring Support	54A	2900142	2	Setscrew, Soc. Hd., 5/16"-18 x 3/8"
16	2900223	10	Capscrew, Hex Hd., M10 x 30mm	55	2900056	1	Setscrew, Soc. Hd., 1/4"-20 x 1/4"
17	2900321	11	Lock Washer, M10 Split	56	2500033	1	V-Belt, 4L-430 for Newer Saws
18	2900368	3	Capscrew, Flat Hd., M10 x 35mm		6013083	1	Link Belt for Older Saws
19	6013107	1	Support Block		2500169	1	(Link Belt Assembly Tool)
20	2900230	6	Capscrew, Flat Hd., 3/8"-16 x 1-1/4"	57	2900477	1	Shoulder Screw, 5/8" x 1"
21	2900067	4	Dowel Pin, 3/8" Dia. x 1-1/4"	58	6013110	1	Exhaust Pipe Weldment
22	6013108	1	Outer Bearing Support	59	2900031	7	Lock Washer, 5/16" Split
23	2500658	1	Flange Cartridge Bearing, 1-3/4"	60	2900343	3	Hex Nut, M8
24	6013122	1	Bearing End Shield	61	2700746	1	Muffler
25	2900106	4	Capscrew, Hex Hd., 1/2"-13 x 2"	62	2700747	1	Rain Cap
26	2900084	4	Lock Washer, 1/2" Split	63	2700748	2	Muffler Clamp with Hex Nuts
27	6013067	1	Oil Drain Hose Assembly (Includes #28 - #32)	63A	2900141	4	Hex Nut, 5/16"-18
28	3200180	1	Fitting, M18 x 1.5 Male to 1/2" Male JIC	64	6013102	1	Exhaust Support Plate
29	3200181	1	Fitting, 1/2" Female JIC to 1/2" Push Lock	65	2900014	4	Flat Washer, 3/8" SAE
30	6013068	1	Oil Drain Hose, 36" Long	66	6010513	1	Pointer Stop
31	3200163	1	Fitting, 1/2" Female Pipe to 1/2" Push Lock	67	2900052	2	Capscrew, Hex Hd., 1/4"-20 x 1-1/4"
32	3200160	1	Plug, 1/2" NPT	68	2900009	4	Flat Washer, 1/4" SAE
33	6013129	1	Idler Assembly (Includes #34 - #45, #55, #116)	69	2900010	2	Lock Nut, 1/4"-20 Nylon
34	6012046	1	Idler Arm	70	2501093	1	Bumper 1"
35	2500074	1	Idler Pulley	71	2900172	1	Machine Screw, Round Hd., #10-24 x 1-1/4"
36	2900521	1	Tap Bolt, 3/8"-16 x 2-1/2"	72	2900016	1	Flat Washer, #10 USS
37	2900018	2	Lock Nut, 3/8"-16 Nylon	73	2900017	3	Lock Nut, #10-24 Nylon
38	6011215	1	Idler Arm Bracket	74	6013029	1	Throttle Arm
39	2900006	3	Lock Washer, 3/8" Split	75	2900310	4	Capscrew, Hex Hd., M6 x 20mm
40	2900033	1	Hex Nut, 3/8"-16	76	2900024	2	Lock Washer, 1/4" Split

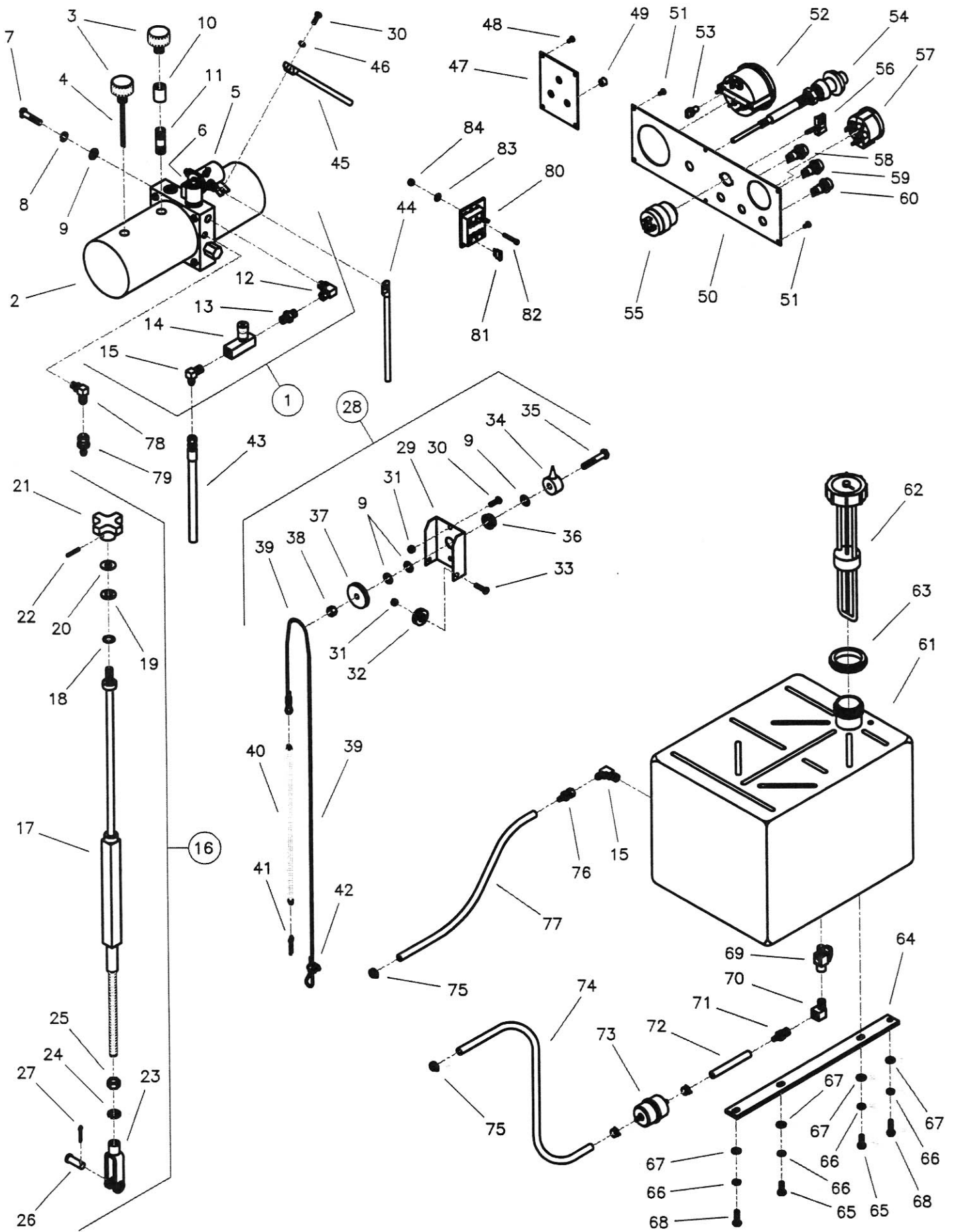
CC7100 Parts List
Drawing III
Engine Group

Diagram Number	Part No.	Qty. Req.	Description	Diagram Number	Part No.	Qty. Req.	Description
77	6048212	1	Pivot Pin	96	6013118	1	Connector Tube, 2-3/4" O.D.
78	2900034	1	Cotter Pin, 3/32" x 3/4"	97	3200197	2	Hose Clamp #52
79	2900059	1	Setscrew, Soc. Hd., #10-32 x 1/4"	98	2500458	1	Hose Elbow, 3" to 3-1/2"
80	6010523	1	Throttle Bracket	99	3200198	5	Hose Clamp #64
81	2900302	2	Lock Nut, M6 Nylon	100	6013069	1	Connector Tube, 3-1/2" O.D.
82	2500940	1	Throttle Cable Clamp	101	2500427	2	Hose Elbow, 3-1/2" I.D.
83	2900015	2	Machine Screw, Hex Hd., #10-24 x 3/4"	102	6013117	1	Air Intake Tube, 3-1/2" O.D. x 18" Long
84	2501217	1	V-Belt, 4L-380 for Newer Saws	103	2501350	1	Air Cleaner, Plastic Style for Newer Saws
	2500456	1	V-Belt, 4L-340 for Older Saws		2500421	1	Air Cleaner, Metal Style for Older Saws
85	6010041	1	Accessory Drive Pulley, 4" O.D.		2501352	1	(Outer Primary Element for Plastic Air Cleaner)
86	2900142	6	Setscrew, Soc. Hd., 5/16"-18 x 3/8"		2500425	1	(Outer Primary Element for Metal Air Cleaner)
87	2900036	2	Setscrew, Soc. Hd., 5/16"-18 x 1/4"		2501353	1	(Inner Safety Element for Plastic Air Cleaner)
88	6010153	1	Sheave, 4.00-10 Groove x 2" Bore for 14", 30", 36" Blade Guards		2500426	1	(Inner Safety Element for Metal Air Cleaner)
	6013009	1	Sheave, 3.65-10 Groove x 2" Bore for 20", 26", 42" Blade Guards		2500239	1	(Rubber Dust Ejector Boot for Newer Plastic Style Air Cleaner)
89	2501365	2	Banded Belt, 3VP500 - 5 Strand for 14" - 26" Blade Guards		2500339	1	(Rubber Dust Ejector Boot for Older Metal Style Air Cleaner)
	2501366	2	Banded Belt, 3VP530 - 5 Strand for 30" - 42" Blade Guards	104	2500422	1	Pre-Cleaner with Clamp
90	6010155	1	Sheave, 4.12-10 Groove x 1-3/4" Bore for 14" Blade Guard		2500504	1	(Clear Plastic Bowl Only)
	6010157	1	Sheave, 4.50-10 Groove x 1-3/4" Bore for 20" and 26" Blade Guards	105	2500423	1	Restriction Indicator
91	2900418	6	Setscrew, Soc. Hd., 5/16"-18 x 5/8"	106	3200117	1	Close Nipple, 1/8" NPT for Plastic Air Cleaner
92	6013046	1	Sheave, 6.00-10 Groove with 1-3/4" QD Bushing for 30" and 36" Blade Guards (Includes #93 and #94)		3200099	1	Street Elbow, 1/8" NPT 45° for Metal Air Cleaner
	6013047	1	Sheave, 6.90-10 Groove with 1-3/4" QD Bushing for 42" Blade Guard (Includes #93 and #94)	107	2501351	1	Mounting Band for Newer Plastic Air Cleaner
93	2500439	1	Sheave Only, 6.00-10 Groove QD Style for 30" and 36" Blade Guards		2500424	2	Mounting Strap for Older Metal Air Cleaner
	2500509	1	Sheave Only, 6.90-10 Groove QD Style for 42" Blade Guard	108	6013126	1	Air Cleaner Mount Bar for Plastic Air Cleaner
94	2500176	1	Bushing, 1-3/4" QD with Fasteners		6013026	2	Air Cleaner Mount Bar for Metal Air Cleaner
94A	2900056	1	Setscrew, Soc. Hd., 1/4"-20 x 1/4"	109	2900538	2	Capscrew, Hex Hd., 5/16"-18 x 1-3/4" for Newer Plastic Style Air Cleaner
94B	2900289	3	Capscrew, Hex Hd., 5/16"-18 x 2-1/4"		2900138	4	Capscrew, Hex Hd., 5/16"-18 x 1" for Older Metal Style Air Cleaner
94C	2900031	3	Lock Washer, 5/16" Split	110	2900022	3	Flat Washer, 5/16" SAE
95	6013065	1	Air Intake Hose Assembly (Includes #96 - #102)	111	2900039	3	Lock Nut, 5/16"-18 Nylon
				112	2900217	1	Capscrew, Hex Hd., 5/16"-18 x 1-1/4" for Newer Plastic Style Air Cleaner
					2900019	2	Capscrew, Hex Hd., 5/16"-18 x 3/4" for Older Metal Style Air Cleaner
				113	2900104	2	Tap Bolt, Hex Hd., 5/8"-11 x 6"
				114	2900112	2	Hex Nut, 5/8"-11
				115	2900446	2	Swivel Pad Nut, 5/8"-11
				116	2900316	2	Capscrew, Hex Hd., M10 x 40mm



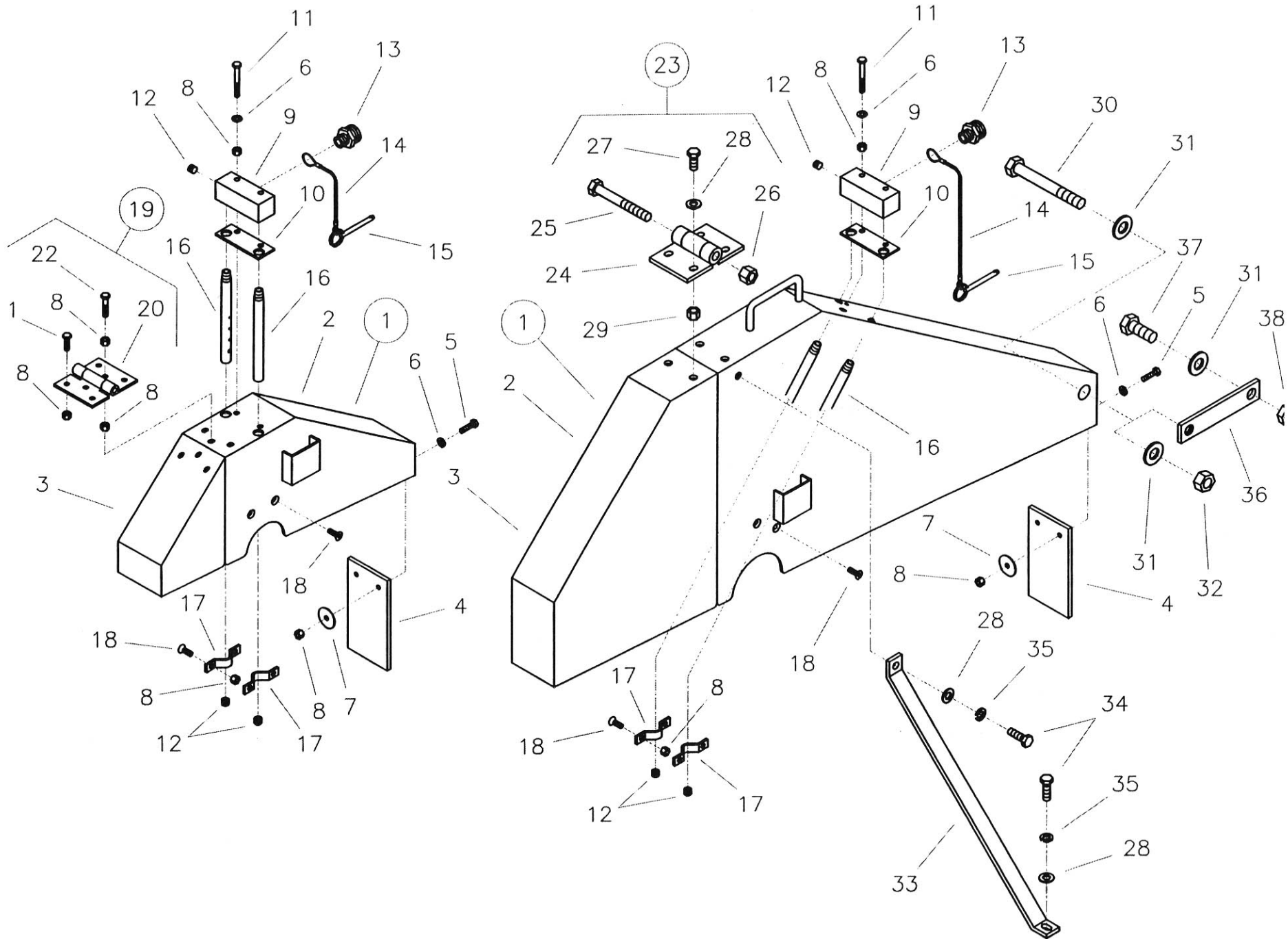
CC7100 Parts List
Drawing IV
Eaton Transmission Group

Diagram Number	Part No.	Qty. Req.	Description	Diagram Number	Part No.	Qty. Req.	Description
1	6010192	1	Speed Control Lever Assembly for Older Saws (Includes #2 - #6)	37	6010065	2	Rod, 3/8"-24 x 3-1/2"
2	6010054	1	Speed Control Lever Only	38	6010067	1	Bell Crank
3	6010108	1	Raise/Lower Wiring Harness	39	6010066	1	Rod, 3/8"-24 x 7"
4	2800167	1	Push Button Switch, Lower	40	2900006	11	Lock Washer, 3/8" Split
5	2800166	1	Push Button Switch, Raise	41	6010101	2	Edge Trim
6	2500206	2	End Plug	42	6010068	1	Transmission Platform Weldment
7	2900047	2	Capscrew, Hex Hd., 3/8"-16 x 1-3/4"	43	2900140	1	Setscrew, Sq. Hd., 5/16"-18 x 1-1/2"
8	2900014	19	Flat Washer, 3/8" SAE	44	2900141	1	Hex Nut, 5/16"-18
9	2900153	5	Friction Washer, 3/8"	45	2500150	1	Sprocket, 11 Tooth with Setscrew
10	6010055	1	Friction Spacer	46	2900063	1	Woodruff Key #5, 1/8" Wide x 5/8" Dia.
11	2900018	13	Lock Nut, 3/8"-16 Nylon	47	6010069	1	#40 Chain, 56 Pitch
12	6010056	1	Lever Support Weldment	48	2500148	1	Sprocket, 45 Tooth
13	2900144	8	Capscrew, Hex Hd., 1/4"-20 x 3/4"	49	2500149	1	Sprocket Bushing with Fasteners
14	2900010	8	Lock Nut, 1/4"-20 Nylon	50	6013101	1	Transmission Jackshaft, 11 Tooth (New Models)
15	6010057	1	Engagement Lever Weldment	6010080	1	Transmission Jackshaft, 15 Tooth (Old Models)	
16	2500002	1	Hand Grip	51	6048229	1	Key, 3/16" Sq. x 1-1/4"
17	2900029	7	Capscrew, Hex Hd., 3/8"-16 x 1-1/2"	52	2500159	2	Pillow Block Bearing, 3/4"
18	6010058	1	Gate Plate	53	2900005	4	Capscrew, Hex Hd., 3/8"-16 x 1"
19	2600068	1	Hydrostatic Transmission	54	2900033	1	Hex Nut, 3/8"-16
20	6010059	1	Return Hose, 3/8" I.D. x 19" Long	55	2500519	1	Cooling Fan, 7"
21	3200062	1	Hose Clamp #4	56	2900448	4	Machine Screw, Hex Hd. #10-32 x 1/2"
22	3200046	2	Fitting, 3/8 Female JIC to 3/8" Push Lock	57	2900038	4	Lock Washer, #10 Split
23	6010060	1	Oil Recirculation Hose, 3/8" I.D. x 9"	58	2900542	1	Tap Bolt, Hex Hd., 1/2"-13 x 3-1/2"
24	6010061	1	Transmission Pulley	59	6010166	1	Gate Cover Bar
25	2900142	2	Setscrew, Soc. Hd., 5/16"-18 x 3/8"	60	6010316	1	Speed Control Lever Assembly for Newer Saws (Includes #61 - #70)
26	2900143	1	Woodruff Key #61, 3/16" Wide x 5/8" Dia.	61	6010314	1	Speed Control Lever Only
27	2500033	1	V-Belt, 4L-430 for Newer Saws	62	2501280	1	Control Grip Body
	6013083	1	Link Belt for Older Saws	63	2501281	1	Control Grip Cover
	2500169	1	(Link Belt Assembly Tool)	64	2500644	1	Plug, Rectangular
28	6010027	1	Mount Foot, Right Hand	65	2900452	1	Screw, Oval Head, #4 x 5/8"
29	2900106	2	Capscrew, Hex Hd., 1/2"-13 x 2"	66	2800372	1	Pushbutton Switch, Raise
30	6010028	1	Mount Foot, Left Hand	67	2800373	1	Pushbutton Switch, Lower
31	2900035	4	Capscrew, Hex Hd., 3/8"-16 x 3"	68	2500694	2	Plug, 5/8" Hole
32	6010064	1	Shift Lever	69	2900453	1	Setscrew, Soc. Hd., M5 x 12mm
33	2900058	5	Flat Washer, 1/2" SAE	70	2800393	1	Wiring Harness, Hydraulic Pump
34	2900026	4	Lock Nut, 1/2"-13 Nylon				
35	2500152	6	Rod End, 3/8"-24				
36	2900148	6	Hex Nut, 3/8"-24				



CC7100 Parts List
Drawing V
Controls Group

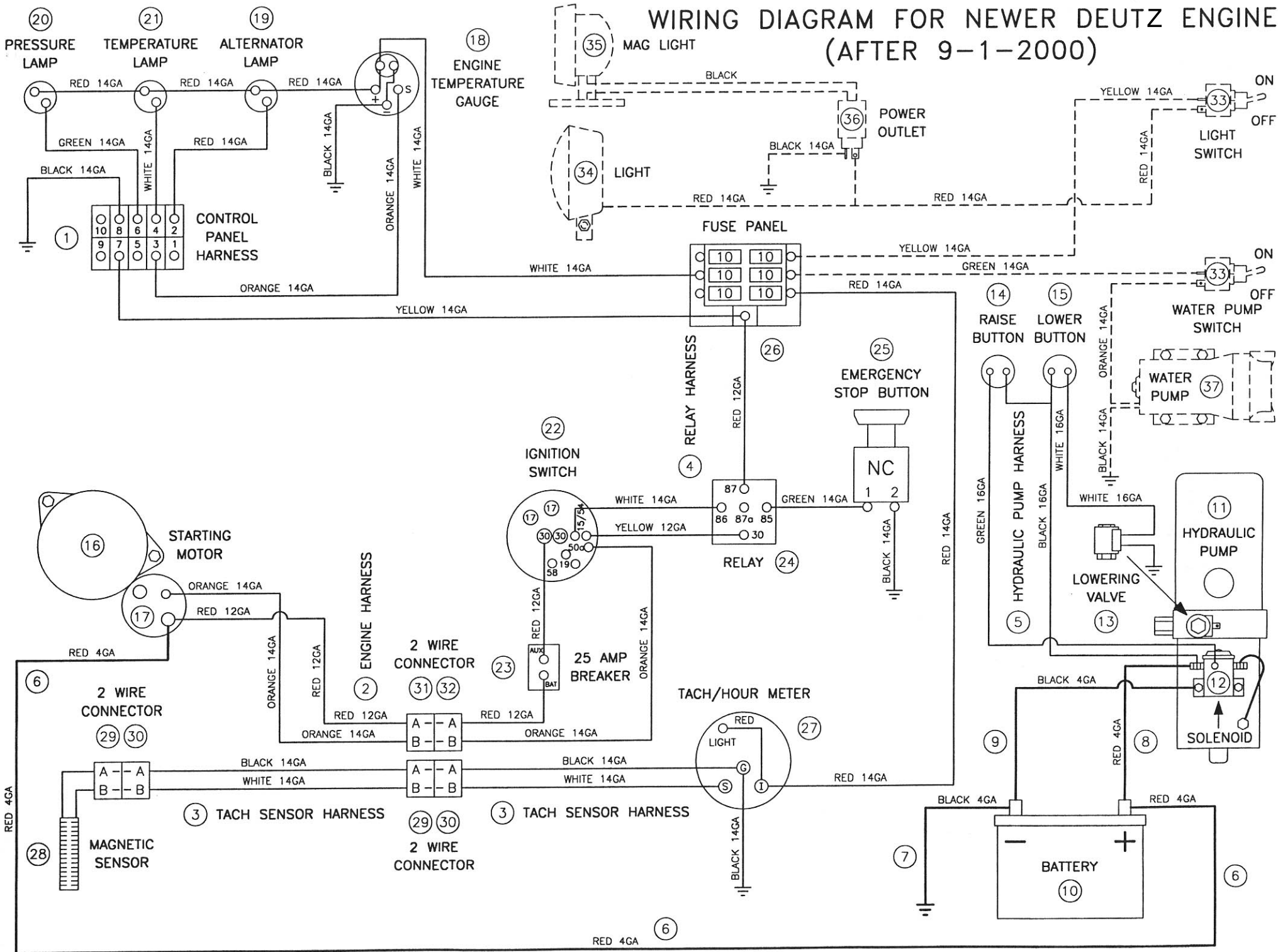
Diagram Number	Part No.	Qty. Req.	Description	Diagram Number	Part No.	Qty. Req.	Description
1	6010213	1	Hydraulic Pump Assy. (Includes #2- #15)	43	3200054	1	Hydraulic Hose Assembly, 32" Long
2	2600070	1	Hydraulic Pump Unit (Includes #3 - #6)	44	2800095	1	Solenoid Cable (Red)
3	2700321	2	Breather Cap, 3/8" NPT	45	2800182	1	Negative Ground Cable (Black)
4	2701815	1	Dipstick	46	2900024	1	Lock Washer, 1/4" Split
5	2700169	1	Solenoid, Motor	47	6010098	1	Switch Plate
6	2700243	1	Valve Coil	48	2900445	6	Tapscrew, Flat Hd., #10-24 x 1/2"
	2700244	1	Valve Stem	49	2500204	3	Plug, 1/2" Hole
7	2900047	2	Capscrew, Hex Hd., 3/8"-16 x 1-3/4"	50	6013093	1	Gauge Panel
8	2900006	2	Lock Washer, 3/8" Split	51	2900021	4	Tapscrew, Pan Hd., #10-24 x 3/8"
9	2900014	5	Flat Washer, 3/8" SAE	52	2800168	1	Blade Shaft Tach/Hour Meter
10	3200120	1	Pipe Coupling, 3/8" NPT	53	2800267	1	Light, Wedge Base
11	3200123	1	Pipe Nipple, 3/8" NPT x 2"	54	2500376	1	Vemier Throttle Cable
12	3200115	1	Elbow, 3/8" O-Ring to 1/4" Female Pipe	55	2700783	1	Ignition Switch with Key
13	3200060	1	Hex Nipple, 1/4" NPT	56	2701261	1	Ignition Key Only
14	3200056	1	Flow Control Valve, 1/4" NPT	57	2700784	1	Engine Temperature Gauge
15	3200057	2	Elbow, 1/4" Male Pipe to 1/4" Male JIC	58	2700786	1	Oil Pressure Light (Green)
16	6010215	1	Depth Stop Assembly (Includes #17 - #27)		2700923	1	(Bulb Only)
17	6010097	1	Depth Stop Weldment	59	2700787	1	Oil Temperature Light (Red)
18	2900133	1	Wave Washer		2700923	1	(Bulb Only)
19	2900058	1	Flat Washer, 1/2" SAE	60	2700785	1	Alternator Light (Orange)
20	2900239	1	Friction Washer, 1/2"		2700923	1	(Bulb Only)
21	6010095	1	Depth Stop Knob	61	2500650	1	Fuel Tank, 9 Gallon
22	2900132	1	Roll Pin, 3/16" x 1-1/4"	62	2500649	1	Fuel Tank Cap with Gauge
23	2900158	1	Yoke, 1/2"-13	63	2500205	1	Fuel Tank Grommet
24	2900084	1	Lock Washer, 1/2" Split	64	6010257	2	Fuel Tank Mount Bar
25	2900037	1	Hex Nut, 1/2"-13	65	2900019	4	Capscrew, Hex Hd., 5/16"-18 x 3/4"
26	2900007	1	Clevis Pin, 1/2" Dia. x 1-3/8"	66	2900031	8	Lock Washer, 5/16" Split
27	2900004	1	Cotter Pin, 1/8" x 1"	67	2900022	8	Flat Washer, 5/16" SAE
28	6010214	1	Depth Indicator Assembly (Includes #9, #29 - #42)	68	2900138	4	Capscrew, Hex Hd., 5/16"-18 x 1"
				69	3200108	1	Fuel Shut-off Valve
29	6010092	1	Depth Indicator Mount Bracket	70	3200012	1	Street Elbow, 1/4" NPT
30	2900144	3	Capscrew, Hex Hd., 1/4"-20 x 3/4"	71	3200202	1	Fitting, 1/4" Male Pipe to 5/16" Push Lock
31	2900010	4	Lock Nut, 1/4"-20 Nylon	72	6013095	1	Fuel Line Hose, 5/16" I.D. x 4" Long
32	2500155	2	Cable Pulley, 1-1/4"	73	2500474	1	Fuel Filter, 5/16" with Clamps
33	2900008	2	Capscrew, Hex Hd., 1/4"-20 x 1"	74	6013096	1	Fuel Line Hose, 5/16" I.D. x 28" Long
34	6010091	1	Depth Indicator Pointer	75	3200062	2	Hose Clamp #4
35	2900079	1	Capscrew, Hex Hd., 3/8"-16 x 2-1/4"	76	3200091	1	Fitting, 1/4" Female JIC to 1/4" Push Lock (Diesel)
36	2500145	1	Flange Bearing, 3/8"	77	6010103	1	Fuel Line Hose, 1/4" I.D. x 28" Long (Diesel)
37	6010093	1	Cable Pulley, 2"	78	3200116	1	Elbow, 1/4" O-Ring to 3/8" Male JIC
38	2900018	1	Lock Nut, 3/8"-16 Nylon	79	3200046	1	Fitting, 3/8" Female JIC to 3/8" Push Lock
39	6010094	1	Depth Indicator Cable with Crimp, 48"	80	2800388	1	Fuse Panel, 6 Circuit
40	2500196	1	Spring, 3/8" x 15"	81	2800389	6	Fuse, 10 Amp Red ATO/ATC
41	2900055	1	Cotter Pin, 3/16" x 1"	82	2900451	2	Capscrew, Soc. Hd., #10-24 x 1-1/4"
42	2500214	1	Cable Clamp	83	2900016	2	Flat Washer, #10 USS
				84	2900017	2	Lock Nut, #10-24 Nylon



CC7100 Parts List
Drawing VI
Blade Guard Assembly

Diagram Number	Part No.	Qty. Req.	Description	Diagram Number	Part No.	Qty. Req.	Description
1	6010070	1	14" Blade Guard Assembly (Includes #2 - #22)	15	2900156	1	Lock Pin Only
	6010072	1	20" Blade Guard Assembly (Includes #2 - #21)	16	6048283	2	Water Tube for 14" Blade Guard
	6010074	1	26" Blade Guard Assembly (Includes #2 - #18, #23)		6010085	2	Water Tube for 20" Blade Guard
	6010076	1	30" Blade Guard Assembly (Includes #2 - #18, #23)		6010086	2	Water Tube for 26" Blade Guard
	6010078	1	36" Blade Guard Assembly (Includes #2 - #18, #23)		6010087	2	Water Tube for 30" Blade Guard
	6010143	1	42" Blade Guard Assembly (Includes #2 - #18, #23)		6010088	2	Water Tube for 36" Blade Guard
				17	6048155	2	Water Tube for 42" Blade Guard
2	6010071	1	14" Blade Guard Front & Rear Only	18	2900020	4	Capscrew, Flat Hd., 1/4"-20 x 3/4"
	6010073	1	20" Blade Guard Front & Rear Only	19	6048150	1	Hinge Assembly for 14" Blade Guard (Includes #8, #20 - #22)
	6010075	1	26" Blade Guard Front & Rear Only		6010251	1	Hinge Assembly for 20" Blade Guard (Includes #8, #20, #21)
	6010077	1	30" Blade Guard Front & Rear Only	20	2500270	1	Hinge Only
	6010079	1	36" Blade Guard Front & Rear Only	21	2900144	6	Capscrew, Hex Hd., 1/4"-20 x 3/4"
	6010144	1	42" Blade Guard Front & Rear Only	22	2900052	1	Capscrew, Hex Hd., 1/4"-20 x 1-1/4"
3	6010304	1	14" Blade Guard Front Only	23	6010263	1	Hinge Assembly for 26"-42" Blade Guards (Includes #24 - #29)
	6010305	1	20" Blade Guard Front Only	24	6010125	1	Hinge Only
	6010306	1	26" Blade Guard Front Only	25	2900509	1	Capscrew, Hex Hd., 1/2"-13 x 4"
	6010307	1	30" Blade Guard Front Only	26	2900026	1	Lock Nut, 1/2"-13 Nylon
	6010308	1	36" Blade Guard Front Only	27	2900013	4	Capscrew, Hex Hd., 3/8"-16 x 1-1/4"
	6010311	1	42" Blade Guard Front Only	28	2900014	6	Flat Washer, 3/8" SAE
4	6010081	1	Splash Flap	29	2900018	4	Lock Nut, 3/8"-16 Nylon
5	2900008	2	Capscrew, Hex Hd., 1/4"-20 x 1"	30	2900291	1	Capscrew, Hex Hd., 5/8"-18 x 4" for 36" Blade Guard Only
6	2900009	4	Flat Washer, 1/4" SAE		2900502	1	Capscrew, Hex Hd., 5/8"-11 x 5" for 42" Blade Guard Only
7	2900083	2	Fender Washer, 1/4" x 1-1/4"	31	2900002	2	Flat Washer, 5/8" SAE
8	2900010	15	Lock Nut, 1/4"-20 Nylon	32	2900112	1	Hex Nut, 5/8"-11
9	6010261	1	Manifold for 14" - 30" Blade Guards	33	6013072	1	Blade Guard Brace for 30" & 36" Blade Guards
	6010264	1	Manifold for 36" Blade Guard		6013086	1	Blade Guard Brace for 42" Blade Guard
	6010273	1	Manifold for 42" Blade Guard	34	2900005	2	Capscrew, Hex Hd., 3/8"-16 x 1"
10	2500830	1	Manifold Gasket for 14"-36" Blade Guards	35	2900006	2	Lock Washer, 3/8" Split
	2500859	1	Manifold Gasket for 42" Blade Guard	36	6013098	1	Rear Brace for 36" Blade Guard Only
11	2900294	2	Capscrew, Hex Hd., 1/4"-20 x 2"	37	2900147	1	Capscrew, Hex Hd., 5/8"-11 x 1-3/4"
12	3200001	3	Pipe Plug, 1/8" NPT	38	2900256	1	Jam Nut, 5/8"-11
13	3200002	1	Fitting, 3/4" Male Garden Hose to 3/8" Male Pipe				
14	2900278	1	Lanyard with Lock Pin for 14" & 20" Blade Guards				
	2900279	1	Lanyard with Lock Pin for 26" & 30" Blade Guards				
	2900280	1	Lanyard with Lock Pin for 36" & 42" Blade Guards				

WIRING DIAGRAM FOR NEWER DEUTZ ENGINE (AFTER 9-1-2000)



**Wiring Diagram
Deutz Diesel
(After 9-1-2000)**

Diagram Number	Part No.	Qty. Req.	Description	Diagram Number	Part No.	Qty. Req.	Description
1	2800396	1	Control Panel Harness	25	2800213	1	Emergency Stop Button
2	2800429	1	Engine Harness (Includes #31 & #32)		2800229	1	Contact Block N.C.
3	2800397	1	Tach Sensor Harness (Includes #29 & #30)	26	2800388	1	Fuse Panel, 6 Circuit
4	2800392	1	Relay Harness		2800389	6	Fuse, 10 Amp Red ATO/ATC
5	2800393	1	Hydraulic Pump Harness	27	2800168	1	Tach/Hour Meter
6	2800073	1	Battery Cable, Positive (Red)		2800267	1	Light Bulb, Wedge Base
7	2800072	1	Battery Cable, Negative (Black)	28	2800169	1	Magnetic Sensor (Includes #29)
8	2800095	1	Solenoid Cable, Positive (Red)	29	2800145	2	Connector, 2 Wire Shroud
9	2800182	1	Ground Cable, Negative (Black)		2800114	4	Male Terminal, 14/16 Gage Wire
10	2700208	1	Battery, 12 Volt		2800174	4	Cable Seal, Gray
11	2600070	1	Hydraulic Pump Unit (Includes #12 and #13)	30	2800146	2	Connector, 2 Wire Tower
12	2700169	1	Solenoid, Motor		2800115	4	Female Terminal, 14/16 Gage Wire
13	2700243	1	Valve Coil		2800174	4	Cable Seal, Gray
	2700244	1	Valve Stem	31	2800145	1	Connector, 2 Wire Shroud
14	2800372	1	Pushbutton Switch, Raise		2800114	1	Male Terminal, 14/16 Gage Wire
15	2800373	1	Pushbutton Switch, Lower		2800112	1	Male Terminal, 12 Gage Wire
16	2701821	1	Starting Motor (Includes #17)		2800174	1	Cable Seal, Gray
17	2701823	1	Solenoid Switch		2800175	1	Cable Seal, Blue
18	2700784	1	Engine Temperature Gauge	32	2800146	1	Connector, 2 Wire Tower
19	2700785	1	Alternator Light (Orange)		2800115	1	Female Terminal, 14/16 Gage Wire
	2700923	1	(Bulb Only)		2800113	1	Female Terminal, 12 Gage Wire
20	2700786	1	Oil Pressure Light (Green)		2800174	1	Cable Seal, Gray
	2700923	1	(Bulb Only)		2800175	1	Cable Seal, Blue
21	2700787	1	Oil Temperature Light (Red)	33	2800062	2	Optional Toggle Switch
	2700923	1	(Bulb Only)		2800063	2	Switch Boot
22	2700783	1	Ignition Switch with Key	34	2500194	1	Optional Spot Light, 12 Volt
	2701261	1	(Ignition Key Only)	35	2501087	1	Optional Magnetic Base Light, 12 Volt
23	2800387	1	Circuit Breaker, 25 Amp	36	2800374	1	Optional Power Outlet, 12 Volt
	2800364	1	Circuit Breaker Boot, Red		2800375	1	Outlet Cap
24	2800144	1	Relay	37	2600200	1	Optional Water Pump, Diaphragm
	2800263	1	Relay Connector				
	2800264	4	Wire Terminal, 1/4" Push-on				