

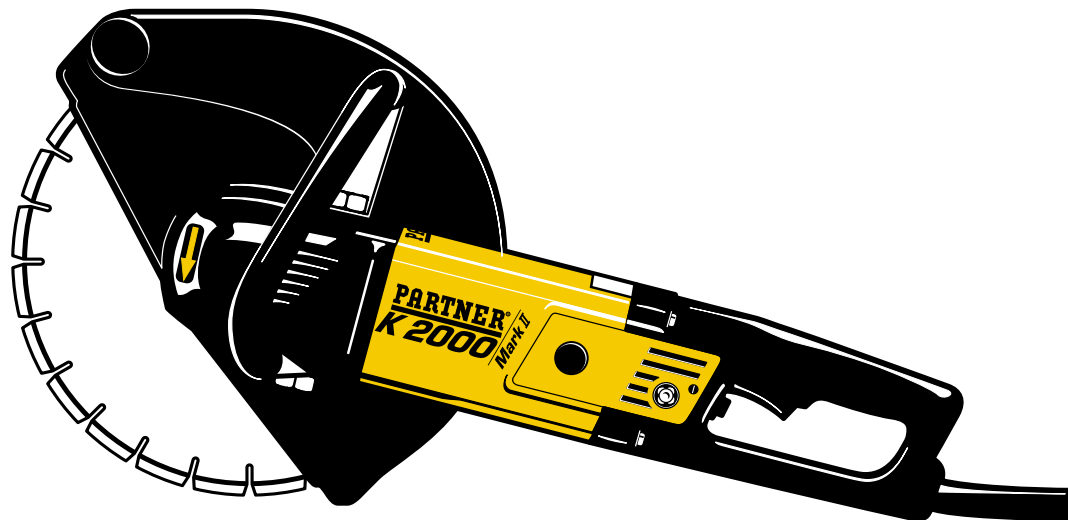
# PARTNER

Illustrated Parts List 2000-05 CD

**K2000 EL Mark II 1990 - 1993**

<b>PARTNER</b>	K 2000 Mark II	
Partner Ind.		
Products AB		
Svea		

ConstructionParts.com



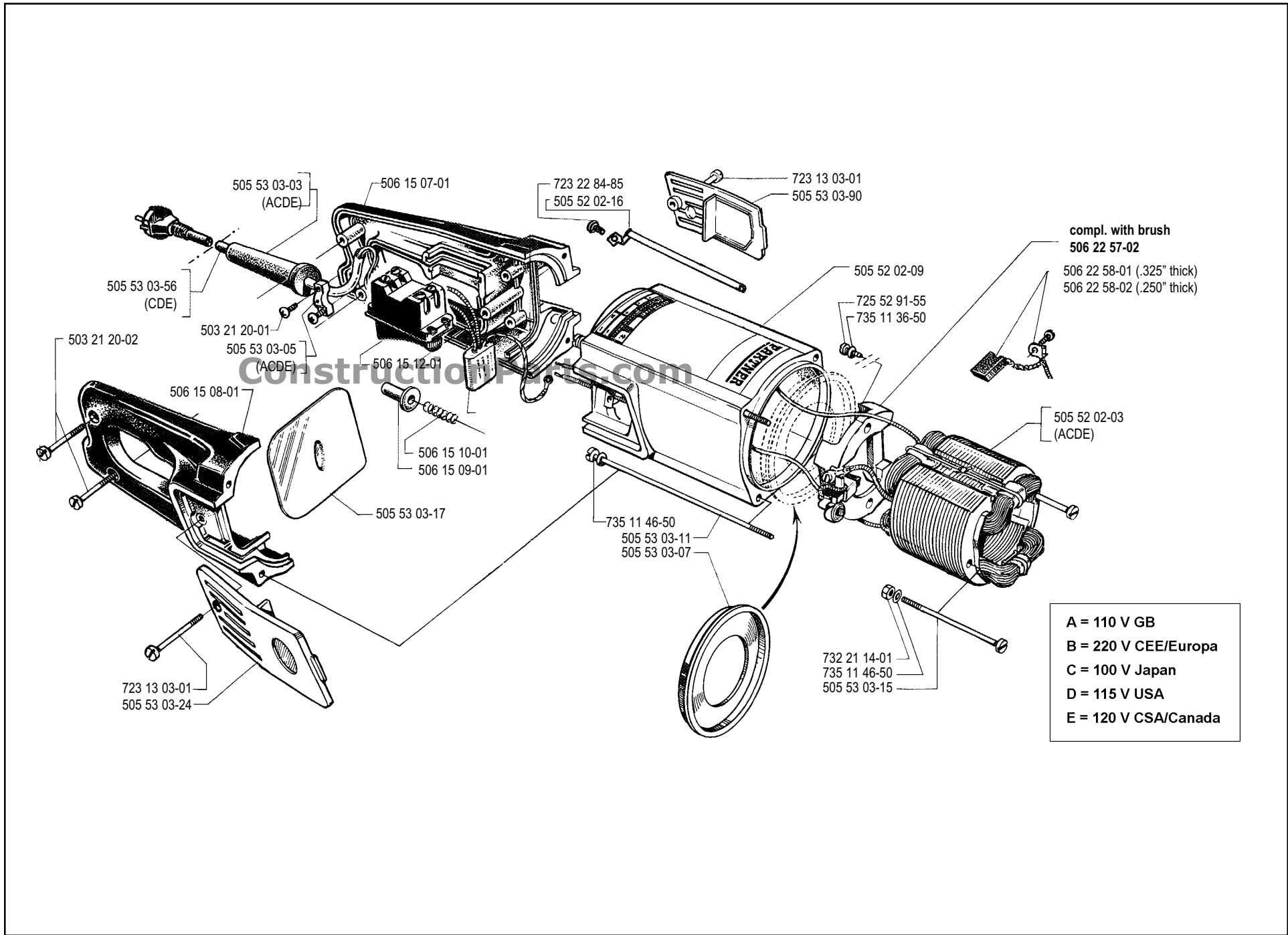
ConstructionParts.com

888-634-4289

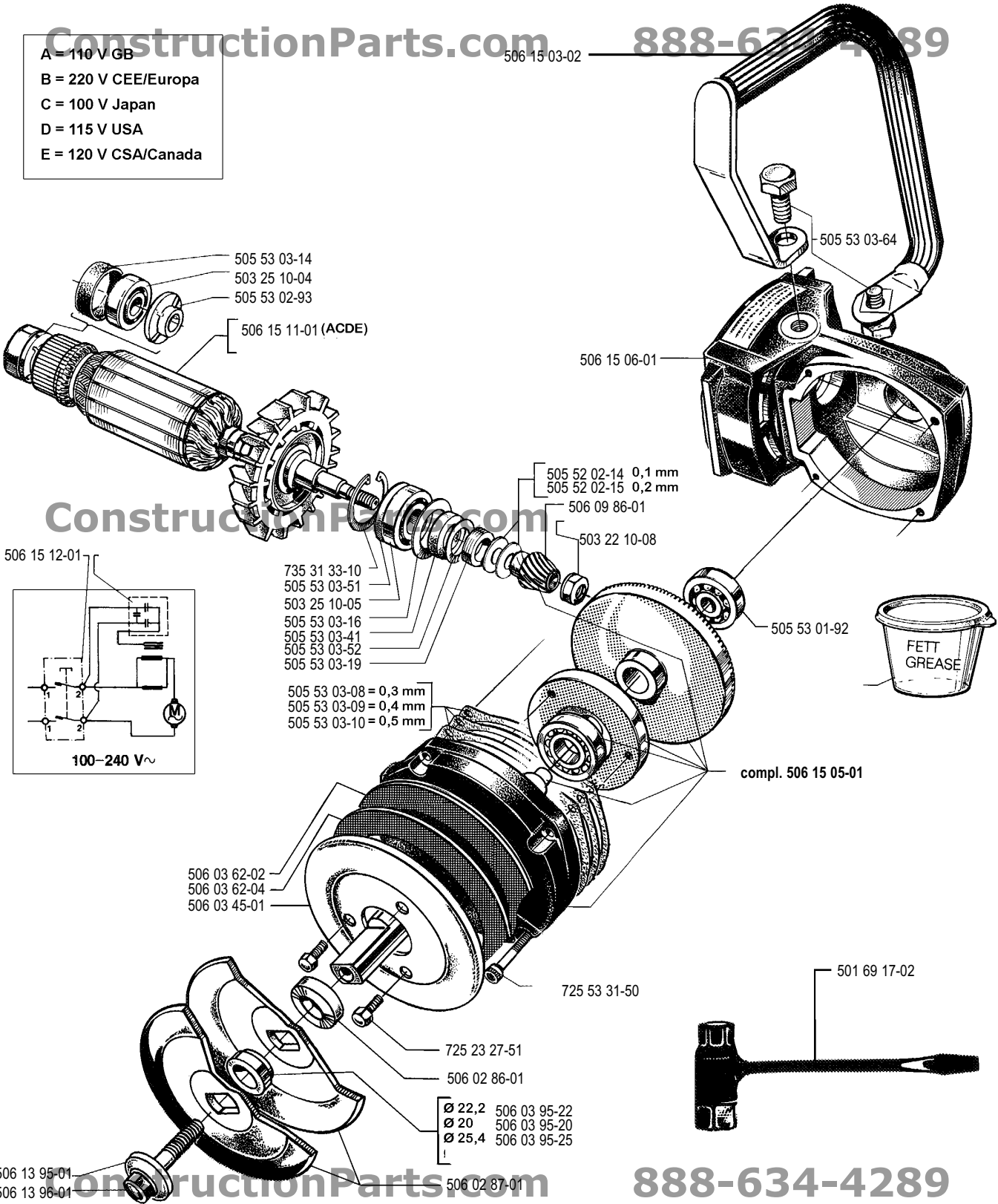
108 30 01-11

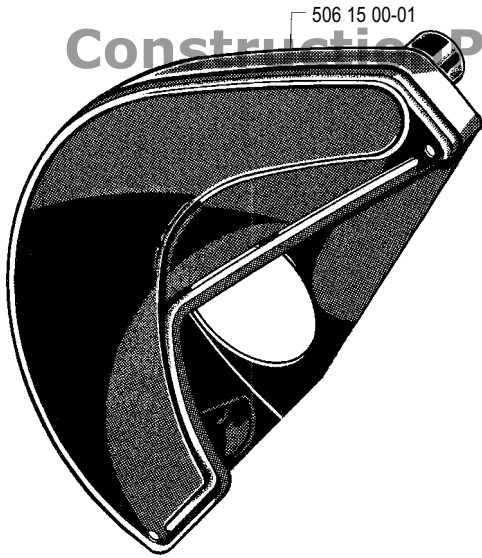
---

**PARTNER®**



- A = 110 V GB
- B = 220 V CEE/Europa
- C = 100 V Japan
- D = 115 V USA
- E = 120 V CSA/Canada





**PARTNER**

506 09 95-01



506 09 96-01



506 09 94-04

**WARNING**  
CUTTERS CAN BE DANGEROUS!  
FOR SAFE OPERATION FOLLOW  
ALL SAFETY PRECAUTIONS IN  
OWNER'S MANUAL.

- ONLY TRAINED AND QUALIFIED PERSONNEL SHALL OPERATE THIS CUTTER
- ONLY USE HIGH SPEED REINFORCED CUTTING AND FOR THE MAXIMUM SPEED.
- AFTER CUTTING STOP THE CUTTER AND WAITING OF CUTTER
- BEFORE EACH USE, CHECK WHEEL AND GUARD FOR ANY DAMAGE
- USE EAR, EYE, HEAD AND HAND PROTECTIVE SAFETY CLOTHING AND SAFETY FOOTWEAR
- KEEP ALL BYSTANDERS WELL AWAY FROM THE OPERATING AREA
- ADJUST GUARD TO KEEP REAR SECTION IN CLOSE WORKSPACE CONTACT
- DO NOT TOUCH THE SAW WHEEL IN THE CUT
- DO NOT REMOVE THE MACHINE TO RUN IN THE WET CUTTING
- ALSO FOLLOW THE OTHER PRECAUTIONS IN THE MANUAL



506 03 88-01

No.	Description	No.	Description
501 69 17-02	Wrench	723 22 84-85	Screw 4x5
503 21 20-01	Screw	725 23 27-71	Screw
503 22 10-08	Nut left	725 52 91-55	Screw
503 25 10-04	Ball bearing	725 53 31-50	Screw
503 25 10-05	Ball bearing	732 21 14-01	Locknut
505 52 02-03	Field coil	735 11 46-50	Spring washer
505 52 02-09	Motor casing	735 31 33-10	Retaining ring
505 52 02-14	.1 mm shim		
505 52 02-15	.2 mm shim		
505 52 02-16	Grounding tube		
505 53 01-92	Ball bearing		
505 53 02-93	Nylon spacer - bearing shield		
505 53 03-03	Rubber bushing		
505 53 03-05	Cable clamp		
505 53 03-07	Air guider		
505 53 03-08	Gasket		
505 53 03-09	Gasket		
505 53 03-10	Gasket		
505 53 03-11	Screw		
505 53 03-14	Rubber bushing		
505 53 03-15	Screw		
505 53 03-16	Spacer		
505 53 03-17	Plate		
505 53 03-19	Spacer		
505 53 03-24	Inspection cover		
505 53 03-41	Felt joint		
505 53 03-51	Spring washer		
505 53 03-52	Spacer		
505 53 03-56	Power cord		
505 53 03-64	Screw		
505 53 03-90	Inspection cover		
506 02 86-01	Spacer		
506 02 87-01	Flange washer 12"		
506 03 45-01	Plate		
506 03 62-02	Washer (rubber)		
506 03 62-04	Washer (plastic)		
506 03 88-01	Warning label		
506 03 95-20	Arbor bushing 20mm		
506 03 95-22	Arbor bushing 7/8"		
506 03 95-25	Arbor bushing 1"		
506 09 86-01	Gear		
506 09 94-04	Label		
506 09 95-01	Decal		
506 13 95-01	Washer		
506 13 96-01	Bolt		
506 15 00-01	Blade guard		
506 15 03-02	Front handle		
506 15 03-02	Handle		
506 15 05-01	Gear set		
506 15 06-01	Gear housing		
506 15 07-01	Handle		
506 15 08-01	Handle		
506 15 09-01	Button		
506 15 10-01	Spring		
506 15 11-01	Armature		
506 15 12-01	Switch		
506 22 57-02	Brush holder Cpl. with brush		
506 22 58-01	Brush .325" thick		
506 22 58-02	Brush .250" thick		
723 13 03-01	Screw		