

Please provide following information:

- Model number
- Serial number (if any)
- Part description and number as shown in parts list

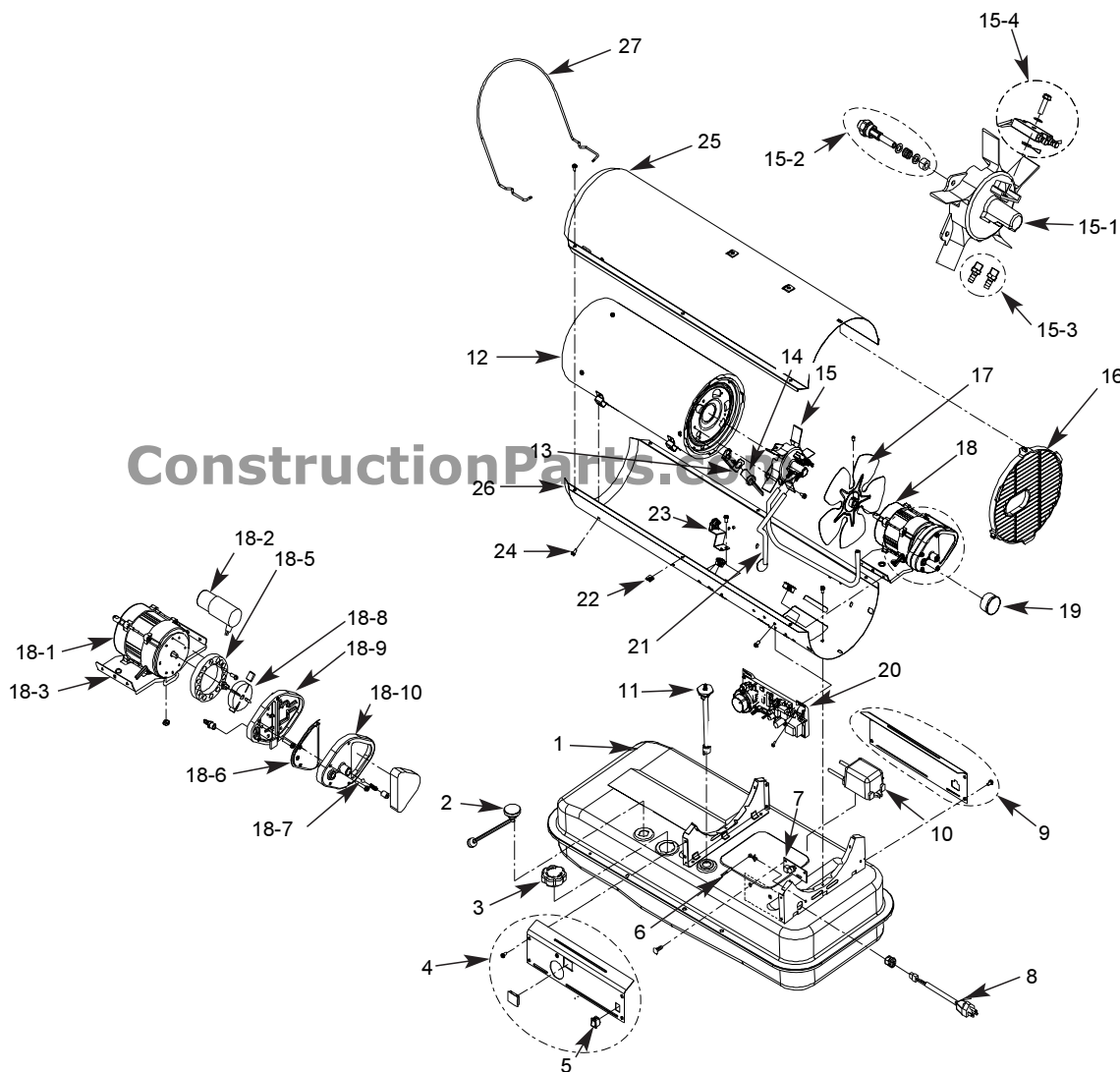


Figure 19- Repair Parts Illustration for Portable Oil-Fired Heaters Models CP045AK, CP075AK

PARTS LIST

Reference Number	Description	Part Number for Models:	
		CP045AK	CP075AK
1	Fuel Tank Assembly	572143	572144
2	Fuel Gauge	-----572150-----	
3	Fuel Cap	-----572157-----	
4	Panel Right Side Assembly	572253	572256
5	Power Switch	-----572251-----	
6	Thermostat Wire	----	572149
7	Display P.C.B. Assembly	572162	----
8	Power Cord	-----572159-----	
9	Panel Left Side Assembly	572254	572257
10	Ignition Transformer	-----572243-----	
11	Fuel Filter	-----572154-----	
12	Combustion Chamber	572177	572178
13	Photocell Bracket	572184	572185
14	Photocell Assembly	-----572186-----	
15	Burner Head Assembly	See Below	
15-1	Burner Head	-----572188-----	
15-2	Nozzle Assembly	572192	572193
15-3	Air/Fuel Line Fittings	-----572280-----	
15-4	Spark Plug Assembly	-----572200-----	
16	Fan Guard	-----572265-----	
17	Fan Assembly	572232	572233
18	Motor and Pump Assembly	-----572204-----	
18-1	Motor	-----572208-----	
18-2	Capacitor	-----572214-----	
18-3	Motor Support	-----572218-----	
18-5	Pump Body	-----572223-----	
18-6	Filter Kit*	-----572227-----	
18-7	Pump Adjustment Kit***	-----572230-----	
18-8	Rotor Kit**	-----572225-----	
18-9	Pump Cover	-----572228-----	
18-10	Filter Cover	-----572229-----	
19	Pressure Gauge	-----572231-----	
20	Main P.C.B. Assembly	572238	572239
21	Air/Fuel Lines	-----572169-----	
22	Clip Nut (6-Pack)	-----572284-----	
23	Temperature Limit Assembly	-----572173-----	
24	Screw (12-Pack)	-----572282-----	
25	Upper Shell	-----572255-----	
26	Lower Shell	-----572163-----	
27	Front Guard	-----572270-----	
	Hardware Kit	-----572285-----	
	Pump/Filter Cover Screws (10-Pack)	-----572283-----	

Filter Kit* - Includes Intake, Outlet, and Lint Filter

Rotor Kit** - Include Rotor, Blades, and Insert

Pump Adjustment Kit*** - Includes Ball Spring and Adjusting Screw

ConstructionParts.com

888-634-4289