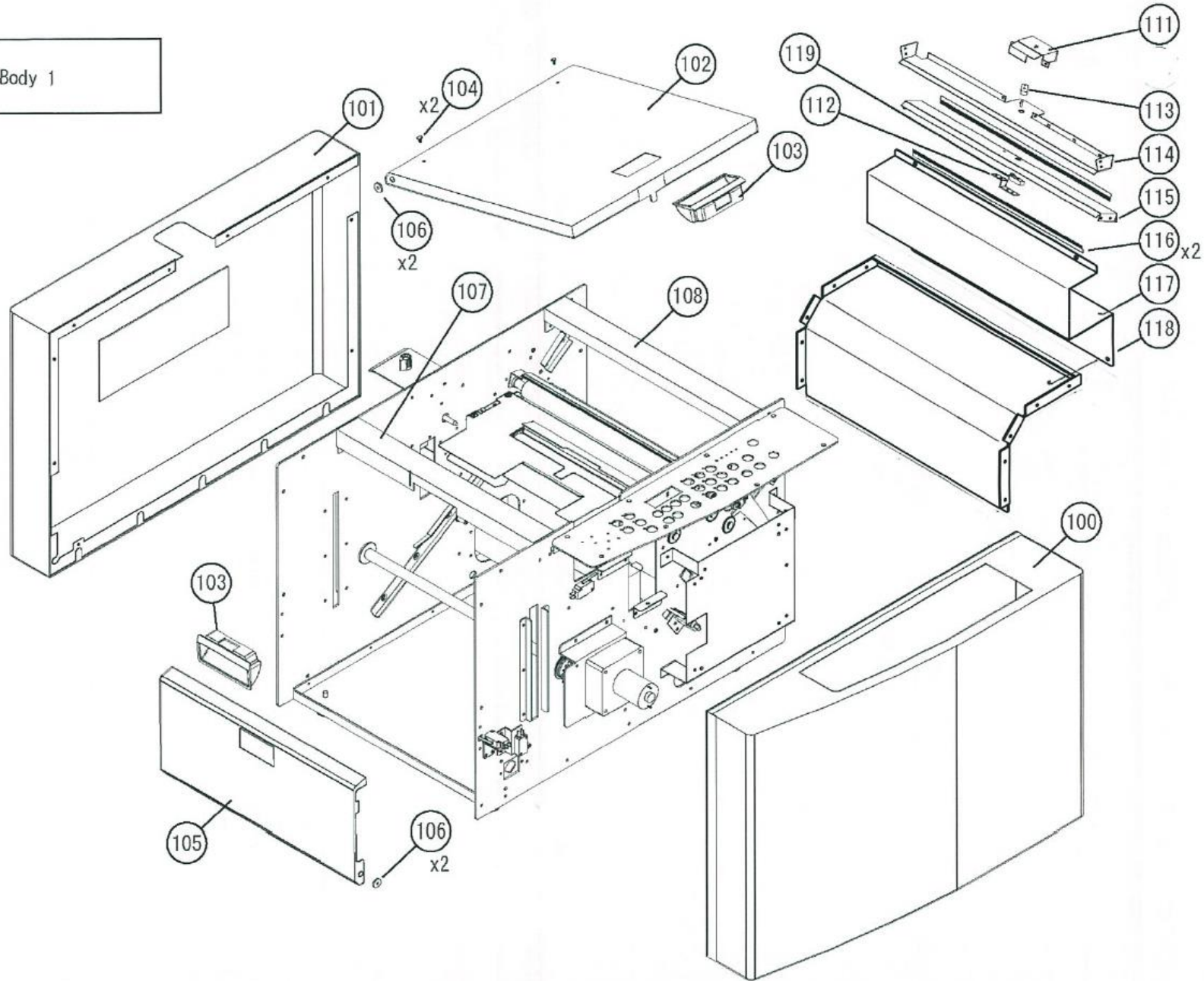
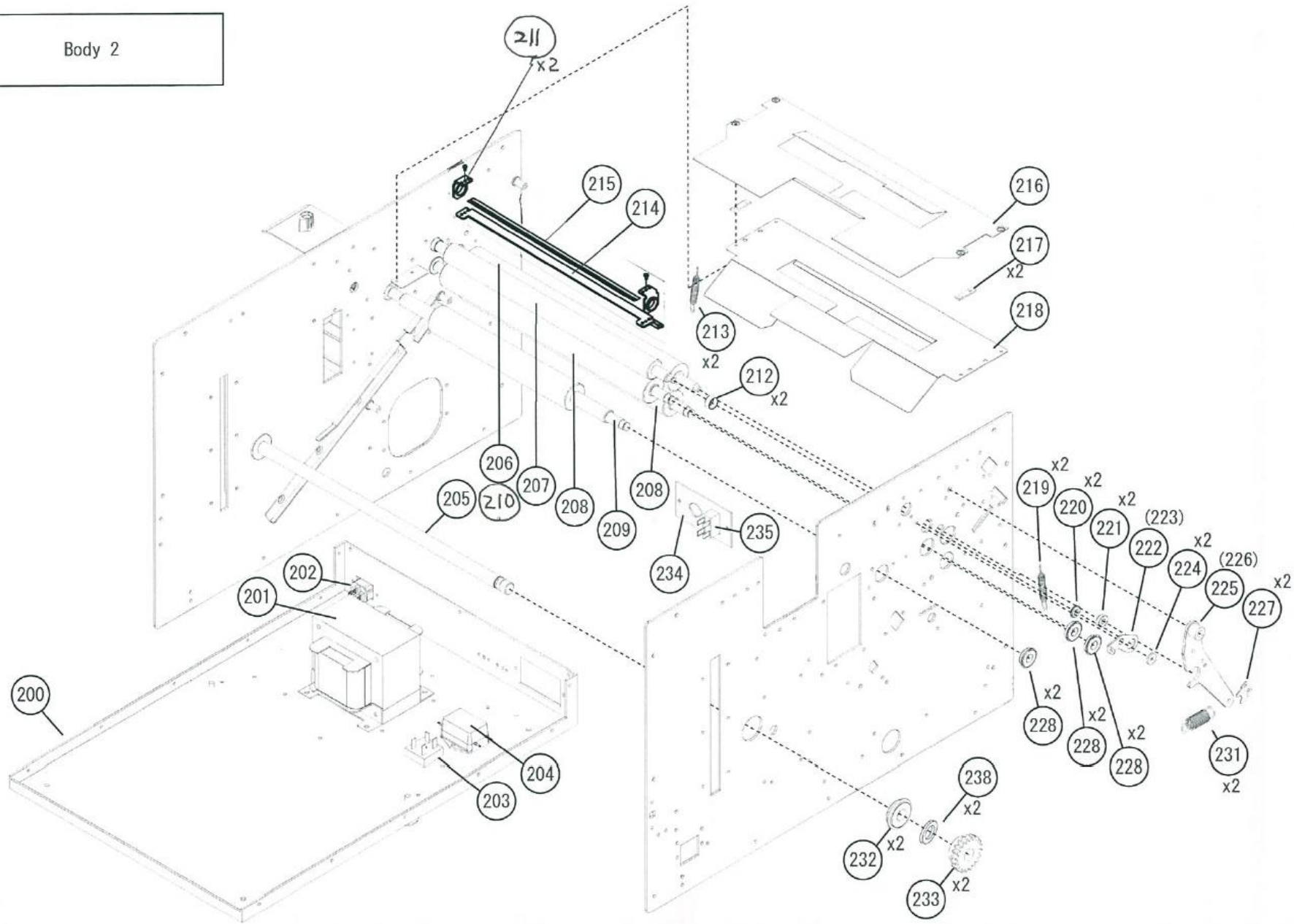


Body 1



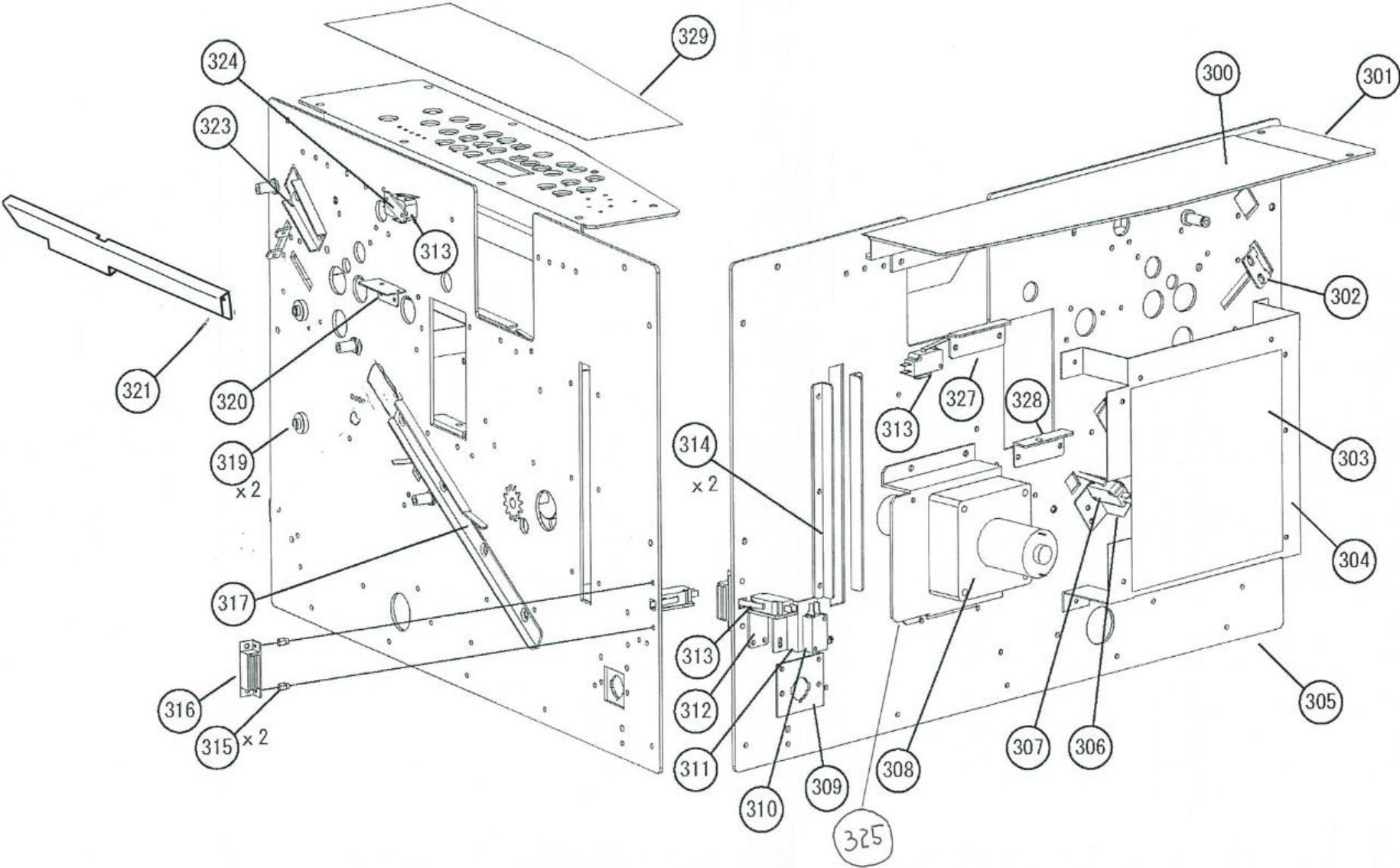
Body 2



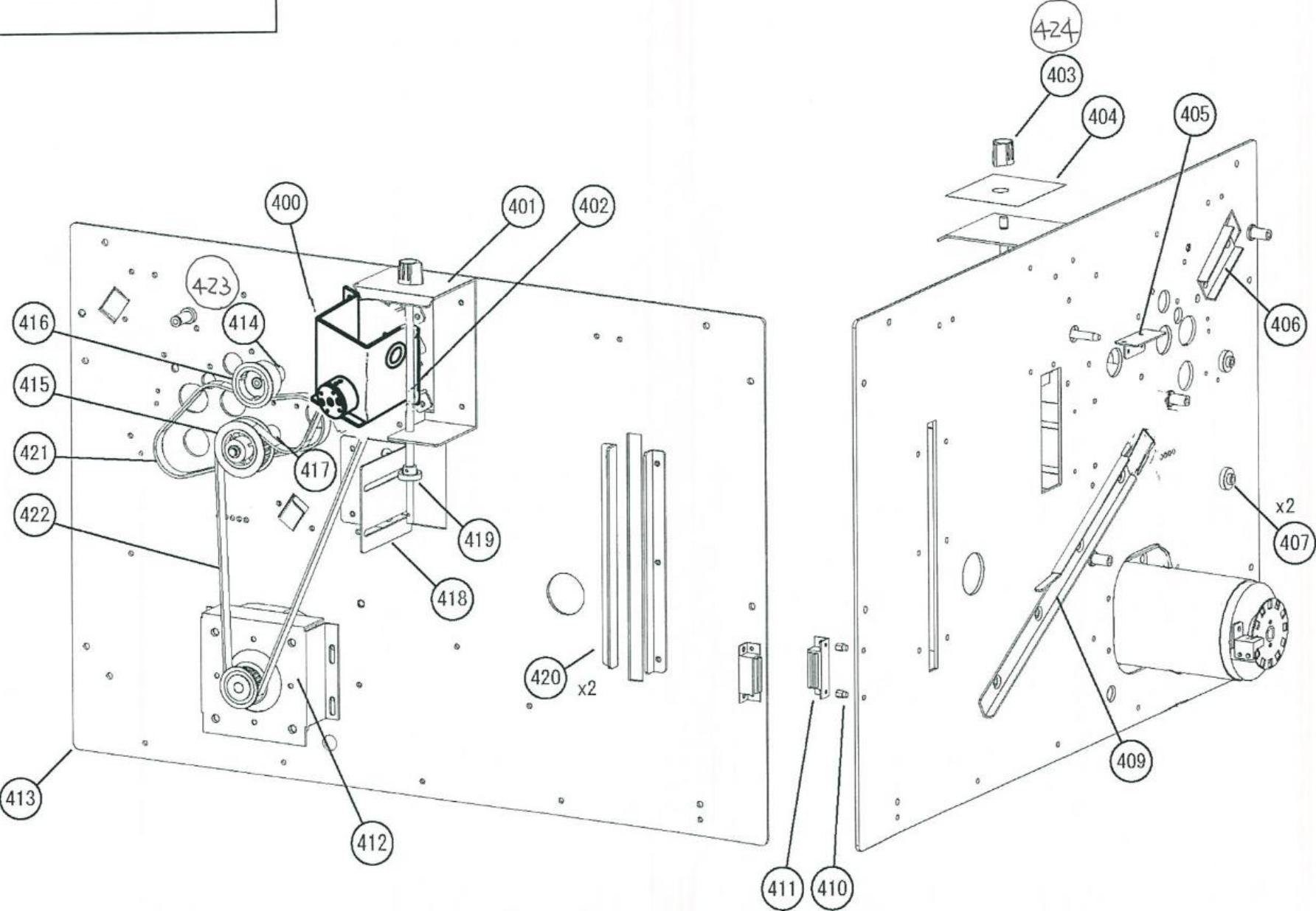
2. Body 2

Fig. No.	Parts No.	Parts name	1500S	Aero	Remarks	Fig. No.	Parts No.	Parts name	1500S	Aero	Remarks
200	1262-0403	Bottom plate	1	1		238	1262-0119	elevator gear washer	2	2	
201	1262-7006	Trans 100V	1	1	Please purchase the trans Assy(1262-7108) at the same time when harness is necessary.						
	1262-7007	Trans 120V	1	1							
	1262-7008	Trans 230V	1	1							
202	0260-7830	3P inlet	1	1	The harness is not attached.						
203	0260-7740	Rectifier	1	1							
204	0010-2040	Noise filter	1	1							
205	1262-0117	Main shaft	1	1							
206	1262-0206	Paper feed roller (E)	1	1							
207	1262-0202	Paper feed roller (B)	1	1							
208	1262-0204	Paper feed roller (CD)	2	2							
209	1262-0205	Paper feed roller (A)	1	1							
210	1262-0211	Paper feed roller (E) Assy	1	1	206+221						
211	1262-0214	Interceptor	2	2	1262-0238+1262-0239						
212	0260-1180	F roller holder	2	2							
213	0020-0410	Separator spring	2	2							
214	1262-0231	Interceptor	1	1							
215	1262-0236	Static electric exclusion brush	1	1							
216	1262-9024	Paper upper guide A	1	1							
217	1262-0207	Spacer	2	2							
218	1262-0201	Paper guide(A)	1	1							
219	1262-0225	F roller spring	2	2							
220	0260-7100	Bearing with flange	2	2							
221	0051-0090	Bearing	2	2							
222	0260-1310	F roller holder (R)	1	1	212+220						
223	0260-1320	F roller holder (L)	1	1	212+220						
224	0020-0340	F roller holder	2	2							
225	1262-0235	Driven fold roller holder (R)	1	1							
226	1262-0234	Driven fold roller holder (L)	1	1	Symmetry form 225						
227	0260-1100	Plate bearing strap	2	2							
228	0260-7110	Bearing with flange	6	6							
231	1262-0224	Driven feed spring	2	2							
232	0152-0673	Bearing	2	2							
233	1262-0118	Elevator gear	2	2							
234	1262-0409	Connector mounting plate	1	1							
235	0260-9150	Power switch	1	1							
	0141-7411	Protector 3.15A			230V=2 120V=1						
	7148-0020	Protector 5A			230V=0 120V=1						

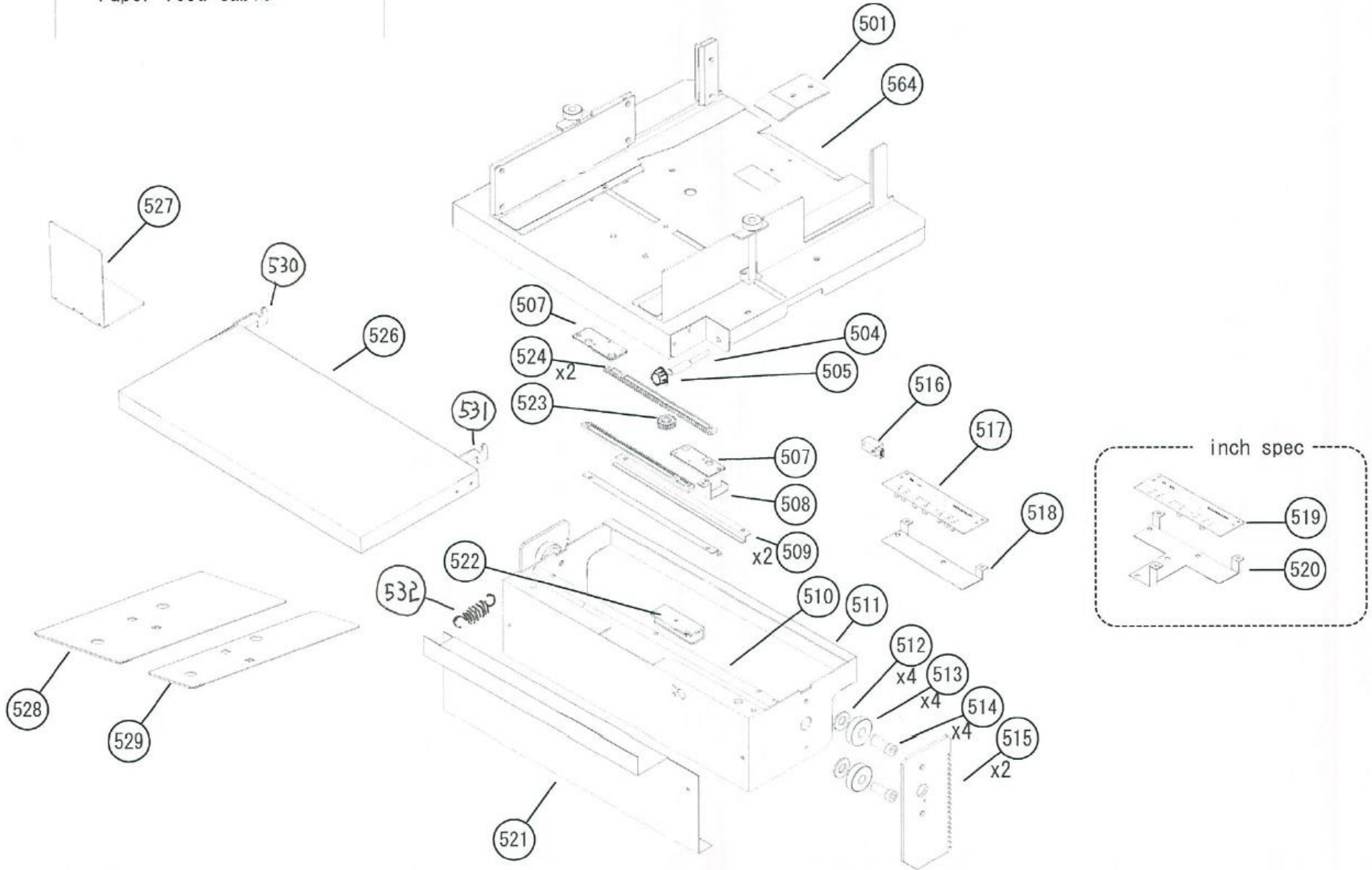
Right side plate



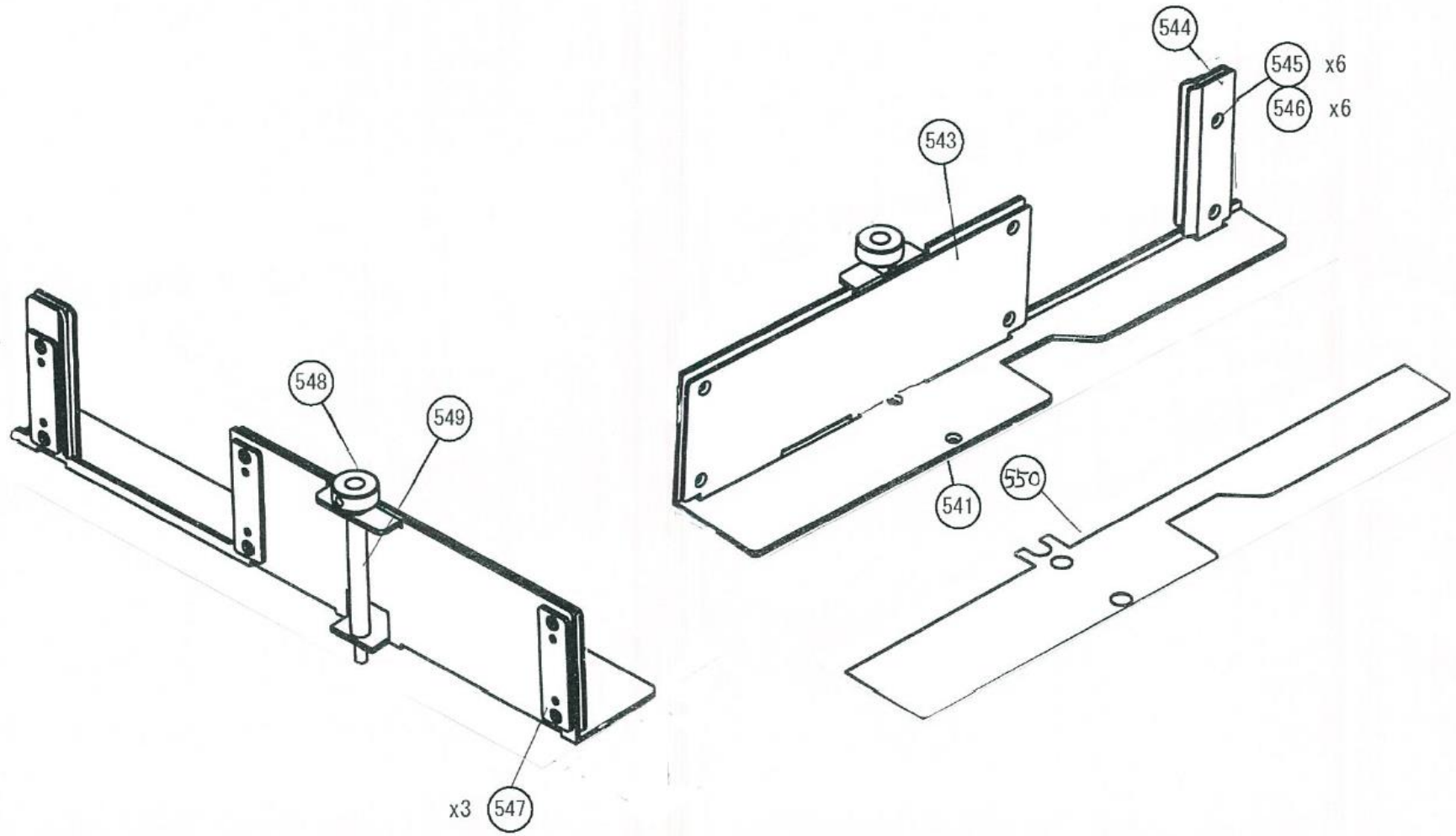
Left side plate



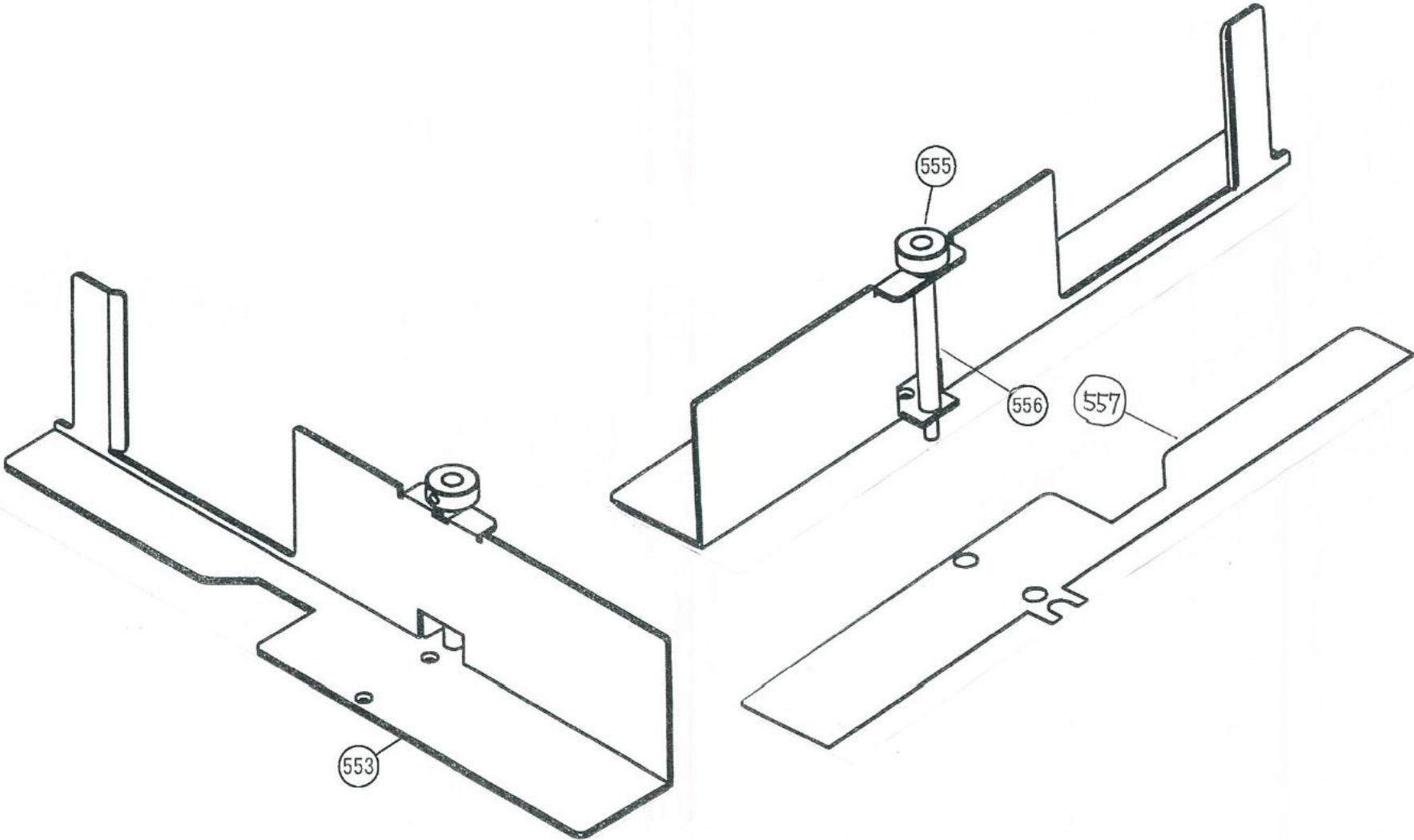
Paper feed table



Paper guide L



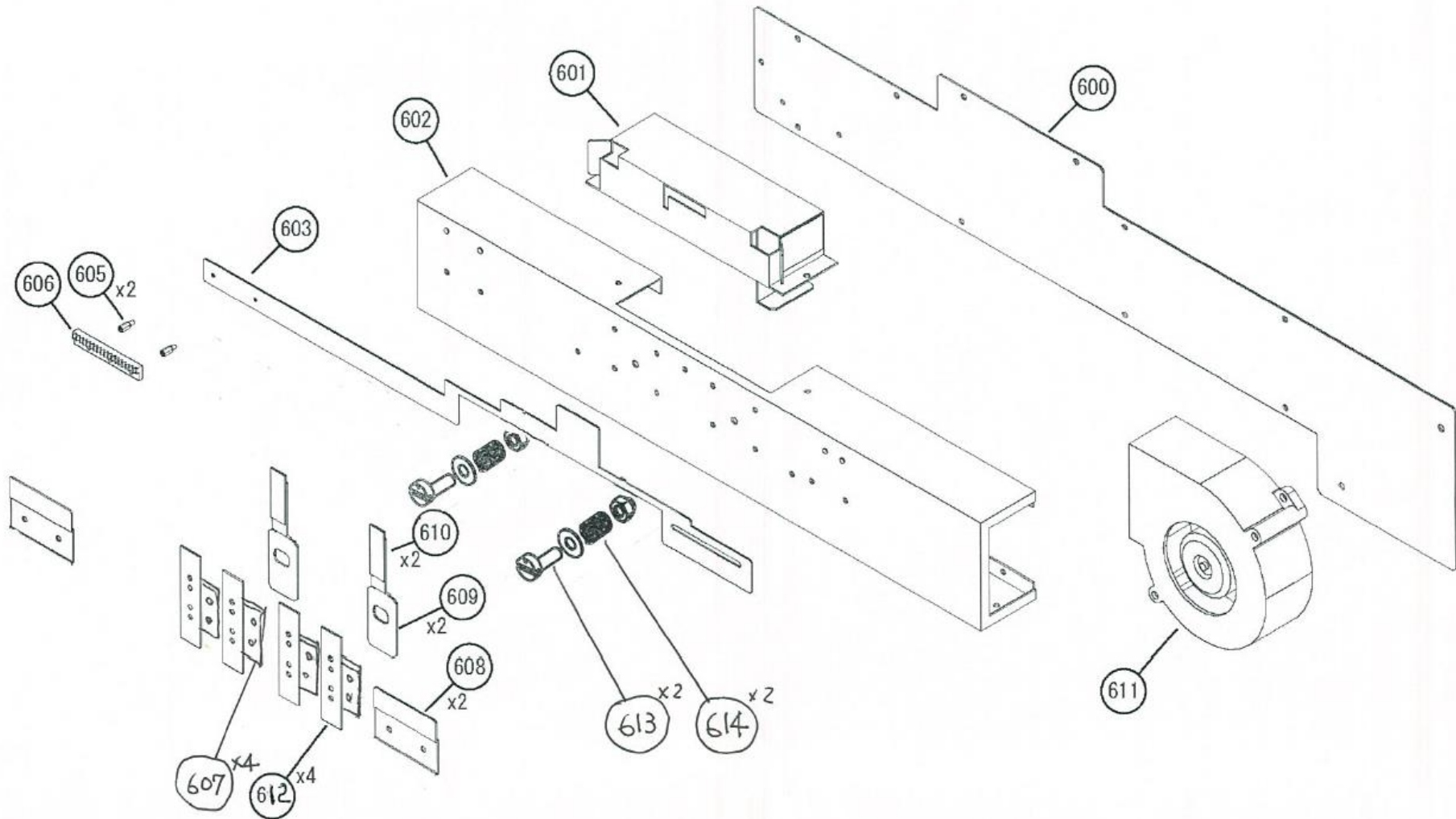
Paper guide R



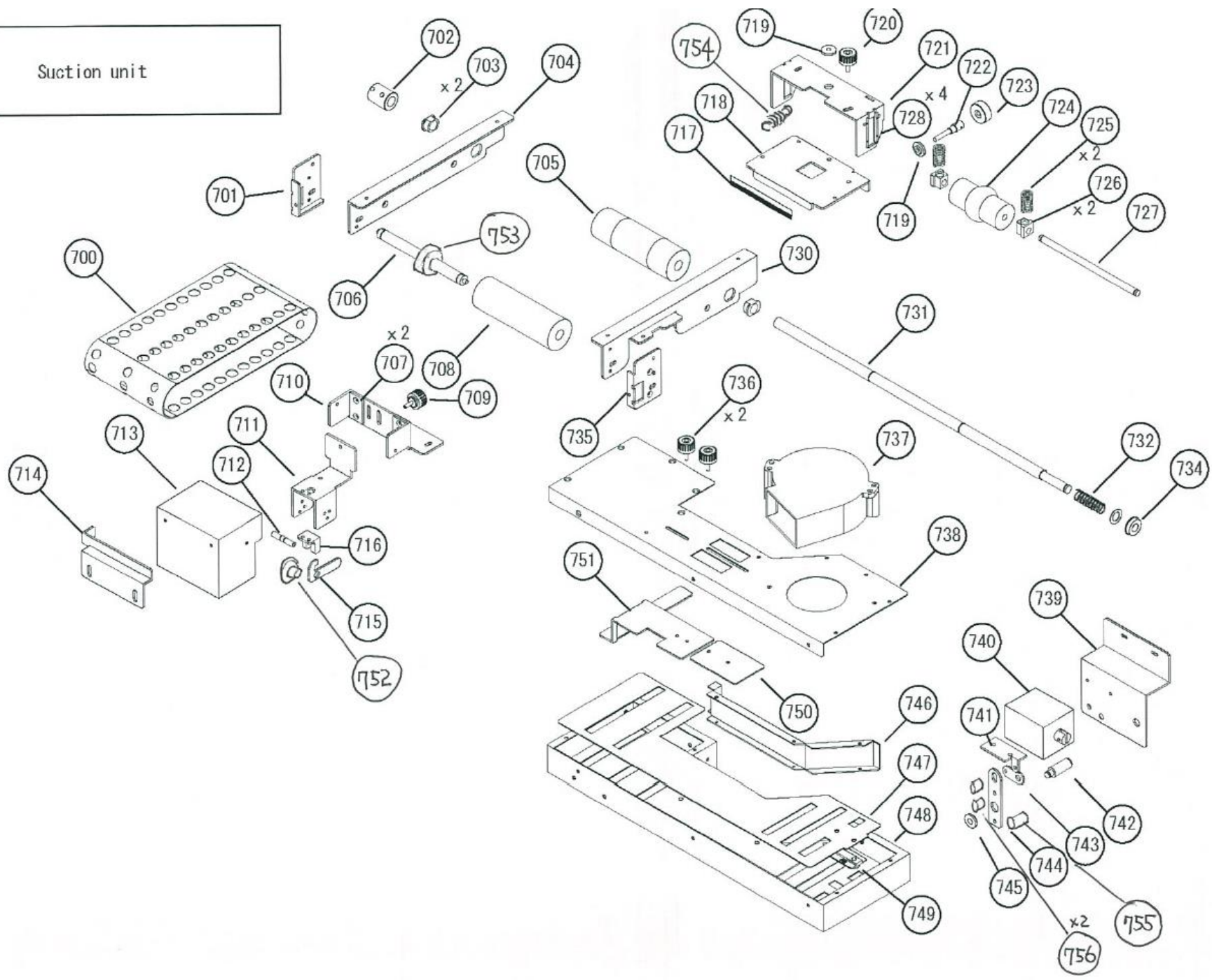
5. Paper feed table

Fig. No.	Parts No.	Parts name	1500S	Aero	Remarks	Fig. No.	Parts No.	Parts name	1500S	Aero	Remarks
						(540)	1262-9073	Paper guide (L) Assy	±	±	541+542 Disposal
501	1262-0157	Plate	1	1		541	1262-0152	Paper guide (L)	1	1	
						542	1262-9069	Paper guide spacer left Assy	±	±	1262-9067 Disposal
						543	1262-9008	Left paper holder	1	1	
504	1262-0106	Adjuster	1	1		544	1262-9056	Left front auxiliary paper guide	1	1	
505	1262-0129	Knob	1	1		545	1262-9055	Auxiliary paper guide holder spring	6	6	
						546	1262-9006	Paper holder guide pin	6	6	
507	1262-0109	Rack holder	2	2		547	1262-9005	Paper holder plate	3	3	
508	0260-2490	Photo sensor lever	1	1		548	1262-0105	Knob	1	1	
509	1262-0127	Rack guide	2	2		549	1262-0111	Shaft	1	1	
510	1262-0148	Shaft A	1	1		550	1262-0114	Paper guide seal(L)	1	1	
511	1262-0130	Paper feed table tray	1	1							
512	2262-0133	Resin washer	4	4		(552)	1262-9074	Paper guide (R) Assy	±	±	553+554 Disposal
513	2262-0132	Bearing	4	4		553	1262-0151	Paper guide (R)	1	1	
514	1262-0136	Bearing shaft	4	4		554	1262-9068	Paper guide spacer right Assy	±	±	1262-9078 Disposal
515	1262-0135	Rack	2	2		555	1262-0105	Knob	1	1	
516	7330-5008	Reflection sensor	2	1		556	1262-0111	Shaft	1	1	
517	0260-7050	Paper detection PCB mm Assy	0	1	mm	557	1262-0113	Paper guide seal(R)	1	1	
518	1262-0158	Sensor cover	0	1	mm						
519	0260-7060	Paper detection PCB inch Assy	1	0	inch						
520	1262-0122	Sensor cover	1	0	inch						
521	1262-0482	Shelf elevator cover	1	1							
522	0260-2130	Paper feed table tray	1	1							
523	0260-2120	Paper guide slide guide gear	1	1		564	1262-0101	Paper feed table	0	1	565+567+568+569+570+571
524	0260-2510	Gear rack	2	2			1262-0120	Paper feed table (USA)	1	0	566+567+568+569+570+571
						(565)	1262-0102	Paper feed table A	0	1	
526	3262-0132	Auxiliary paper feed table Ass'y	1	1	1262-0132,0149,0150	(566)	1262-0121	Paper feed table B	1	0	
527	1262-0142	L guide ASSY	1	1		(567)	0260-2100	Paper detection PCB mounting plate	1	1	
						(568)	0260-2110	Paper slide gear centor	1	1	Paper slide gear center
528	2262-9066	Paper Spacer for A3 and larger	1	1		(569)	1262-0103	Sensor mounting plate	2	1	
529	2262-9059	Paper Spacer for A4 and smaller	1	1		(570)	1262-0107	Guide plate (A)	1	1	
530	1262-0149	Auxiliary paper feed table hook(A)	1	1		(571)	1262-0110	L metal fittings	1	1	
531	1262-0150	Auxiliary paper feed table hook(B)	1	1							
532	1262-0108	Tension Spring	1	1							

Sabaki unit



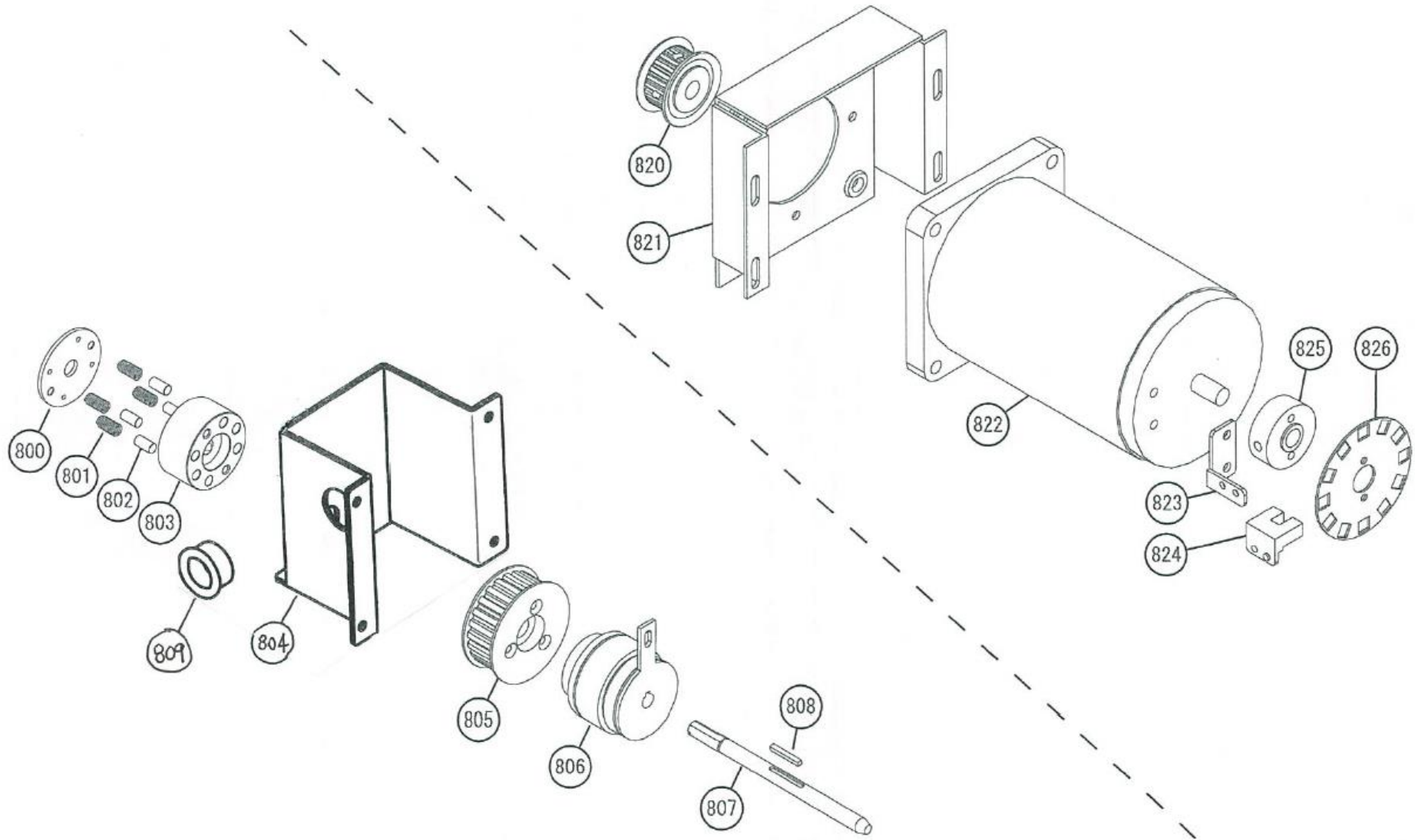
Suction unit



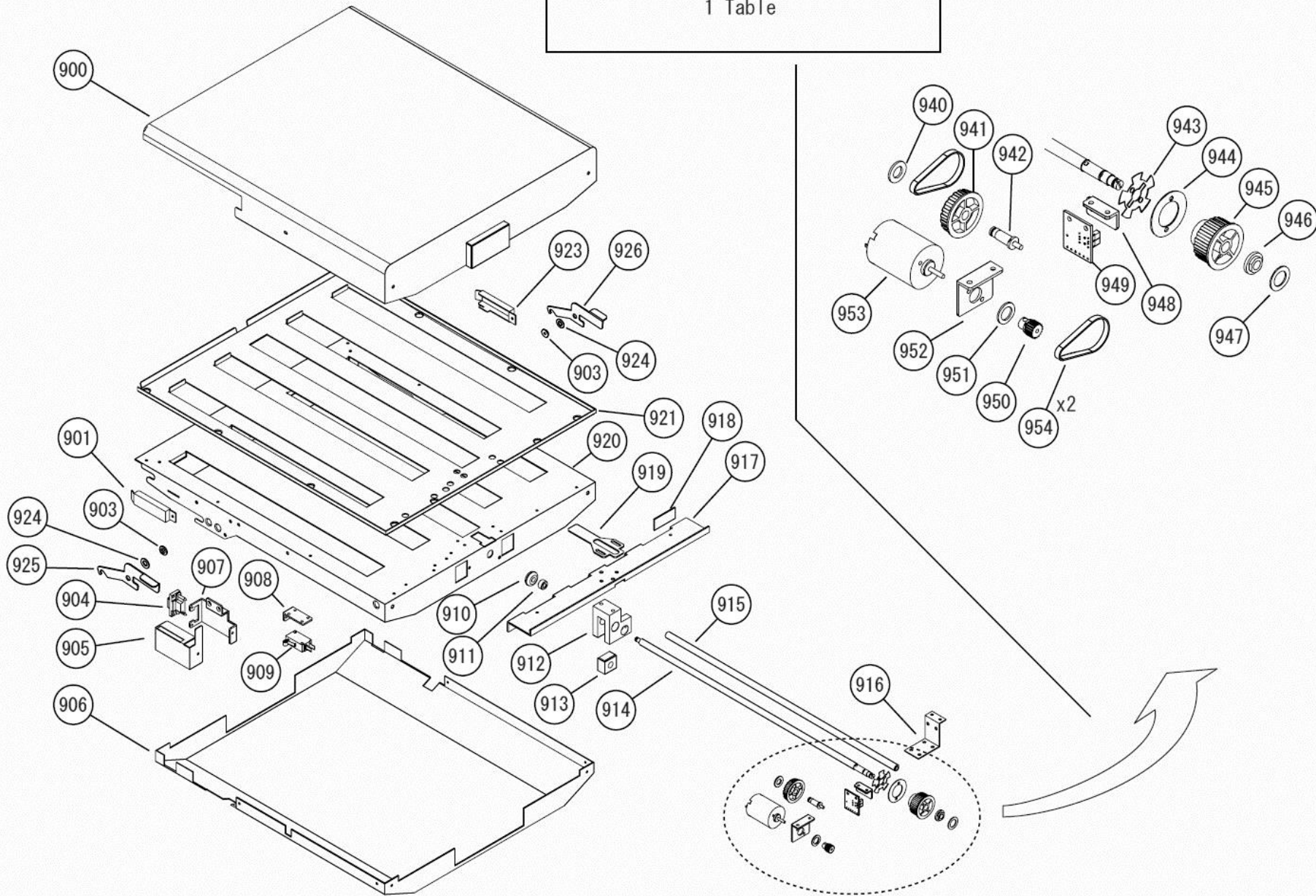
7. SUCTION UNIT

Fig. No.	Parts No.	Parts name	1500S	Aero	Remarks	Fig. No.	Parts No.	Parts name	1500S	Aero	Remarks
700	1262-0013	Paper feed hole belt	1	1		740	1262-7145	Solenoid Assy	1	1	5262-0502,100561(2),100562
701	1262-0008	Belt parallel adjustment board right	1	1		741	1262-0024	Link plate (D)	1	1	
702	1262-0045	Coupler	1	1		742	1262-0021	Shaft	1	1	
703	0145-4170	Sintered metal	2	2		743	1262-0015	Link (B)	1	1	
704	1262-9003	Belt holder left	1	1		744	1262-0023	Link plate (C)	1	1	
705	1262-0041	Crown roller	1	1		745	0146-9540	Sintered metal	1	1	
706	1262-0026	Shaft C	1	1		746	1262-0036	Side plate	1	1	
707	1262-0705	Guide	2	2		747	1262-0004	Shutter	1	1	
708	1262-0042	Pulley (B)	1	1		748	1262-0001	Vacuum duct	1	1	
709	1262-9070	knob	1	1		749	1262-0048	Rejection paper guide installation board	1	1	
710	1262-0713	Sensor mounting plate	1	1		750	1262-9035	Suction air shutter plate	1	1	
711	1262-0703	Sensor mounting plate (A)	1	1		751	1262-9048	Suction shutter slide plate	1	1	
712	1262-0701	Shaft	1	1		752	5262-0523	Oilless Bush	1	1	
713	1262-0711	Sensor cover	1	1		753	5148-0444	Bearing	1	1	
714	1262-9065	Suction unit mounting plate	1	1		754	1262-9011	Tension Spring	1	1	
715	1262-0702	Actuator	1	1		755	1265-0110	Steel spacer	1	1	
716	0260-7780	Built-in photo sensor	1	1		756	1262-0033	Collar	2	2	
717	1262-0047	Static electric exclusion brush	1	1							
718	1262-9008	Left paper weight	1	1							
719	1262-9010	Incline adjustment center	2	2							
720	1262-9071	knob	1	1							
721	1262-9001	Center pulley guide	1	1							
722	1262-9009	Incline adjustment nob	1	1							
723	1262-0105	Knob	1	1							
724	1262-0044	Senter pulley	1	1	2011/3~Change(11130091)						
725	5262-0515	Compression spring	2	2							
726	0145-1170	Bearing A	2	2							
727	1262-0043	Senter shaft	1	1							
728	4149-0141	Separator weight	1	1							
730	1262-9002	Belt holder right	1	1							
731	1262-0014	Shaft (A)	1	1							
732	0145-2330	Paper feed shaft spring	1	1							
734	0146-4450	Bearing	1	1							
735	1262-0007	Belt parallel adjustment board left	1	1							
736	1262-9070	knob	2	2							
737	1262-7143	Fan motor Ass'y	1	1	5262-0511,100561(2),100562						
738	1262-0002	Duct cover	1	1							
739	1262-0005	Solenoid mounting plate	1	1							

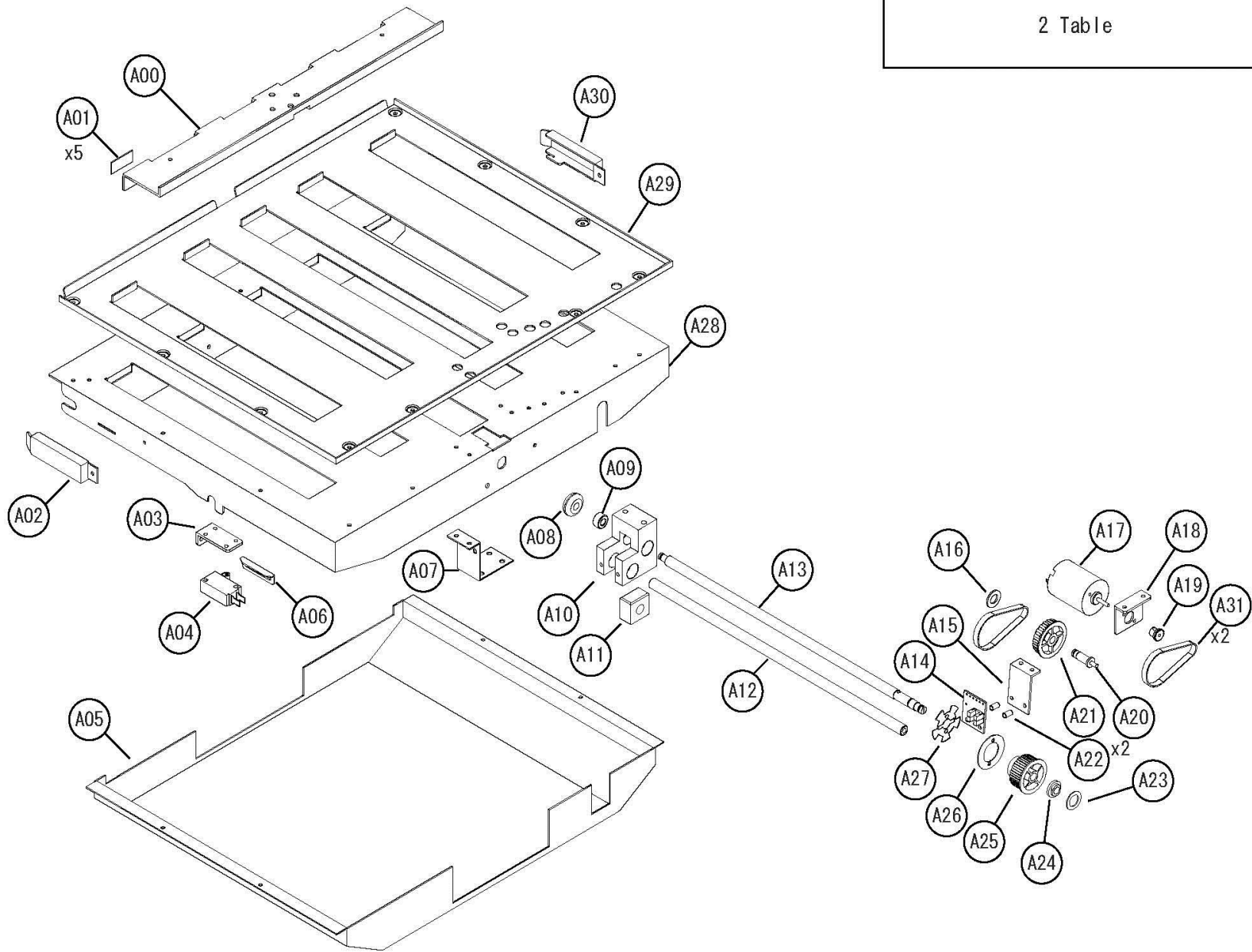
Motor unit / Clutch ASSY



1 Table



2 Table



10. 2TABLE

Fig. No.	Parts No.	Parts name	1500S	Aero	Remarks	Fig. No.	Parts No.	Parts name	1500S	Aero	Remarks
A00	1262-0303	Stopper plate	1	1							
A01	1262-0371	Stopper cushion rubber	5	5							
A02	1262-0353	1/2 table guide left	1	1							
A03	1262-0370	Stopper situs limit switch mounting	1	1							
A04	0020-4250	Lead micro switch	1	1							
A05	1262-0328	2 table lower cover	1	1							
A06	1262-0349	stopper dock	1	1							
A07	1262-0407	2 table PCB cover	1	1							
A08	0020-4310	Glomet bush	1	1							
A09	0020-0790	Guide push	1	1							
A10	1262-9118	Slider	1	1							
A11	1262-0344	Table screw metal	1	1							
A12	1262-9117	2 table guide	1	1							
A13	1262-0311	2 table screw	1	1							
A14	0260-7070	Stopper photo PCB Assy	1	1							
A15	1262-0372	2 table stopper PCB stand	1	1							
A16	0260-4160	Idler puller washer	1	1							
A17	5262-0514	Fold table motor	1	1							
A18	1262-0341	Plate screw drive motor mounting plate	1	1							
A19	1262-0340	Motor pulley	1	1							
A20	0260-4140	Shaft idler center	1	1							
A21	0260-4150	Idler pulley	1	1							
A22	5262-0532	Spacer	2	2							
A23	1262-0369	screw shaft thrust washer	1	1							
A24	0146-9540	Sintered metal B-F6-112	1	1							
A25	0260-4110	Stopper screw gear	1	1	A26						
A26	0260-4540	Stopper screw flange	1	1							
A27	0260-4120	Stopper shatter	1	1							
A28	1262-0308	2 table lower ASSY	1	1							
A29	1262-0302	2 table upper	1	1							
A30	1262-0324	1/2 table guide right	1	1							
A31	0260-4180	Timing belt	2	2							
A50	1262-0332	2table ASSY	1	1							
	1262-7120	2table harness ASSY	1	1							
(A39)	1262-7121	2 Table receptacle harness	1	1	Main body side						

