



SGP

OPERATOR'S MANUAL

■ SGP-3020

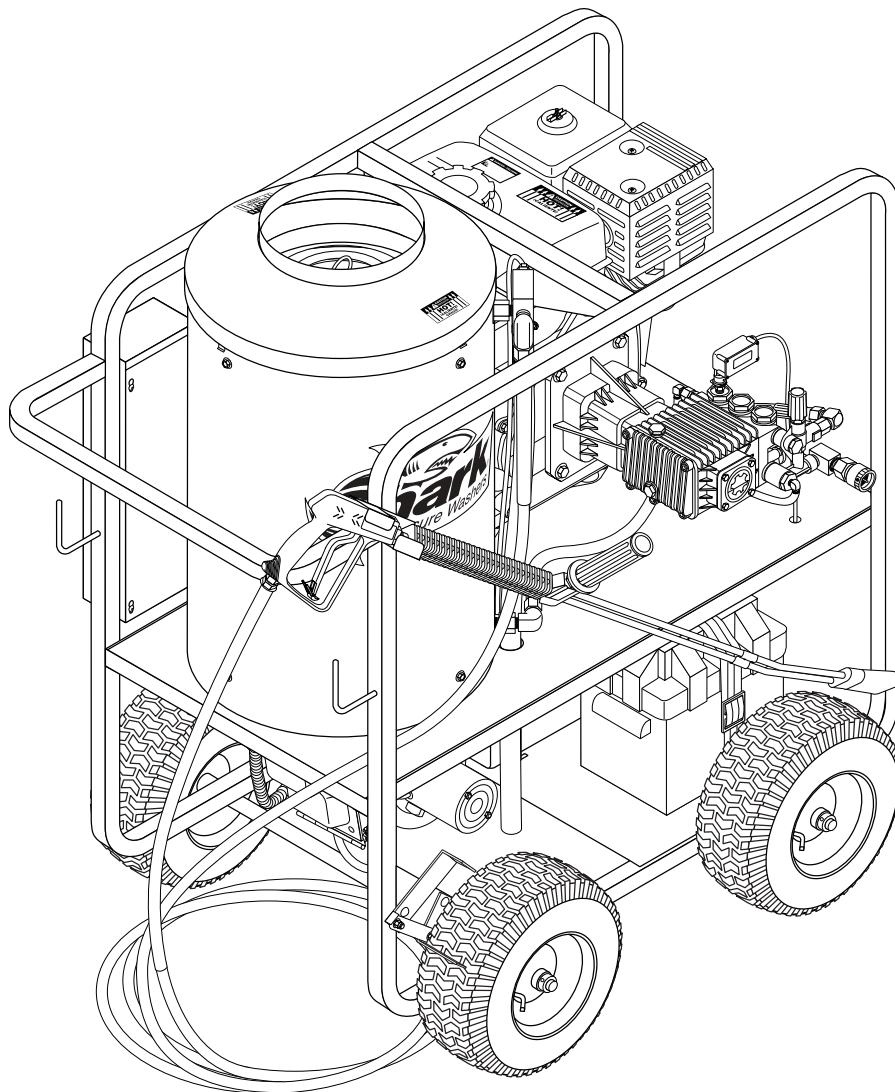
■ SGP-3025

■ SGP-3030

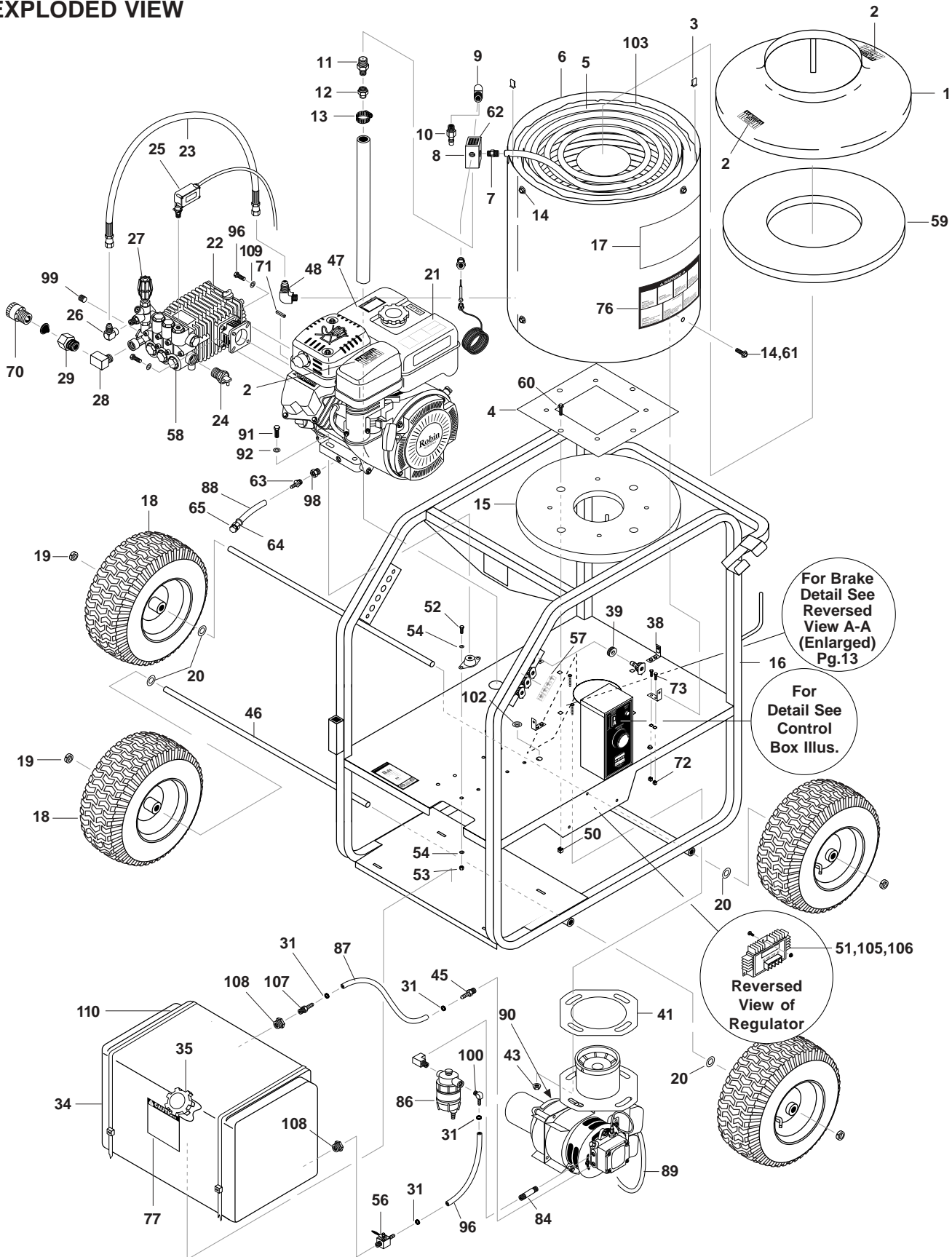
■ SGP-3530

■ SGP-3530E

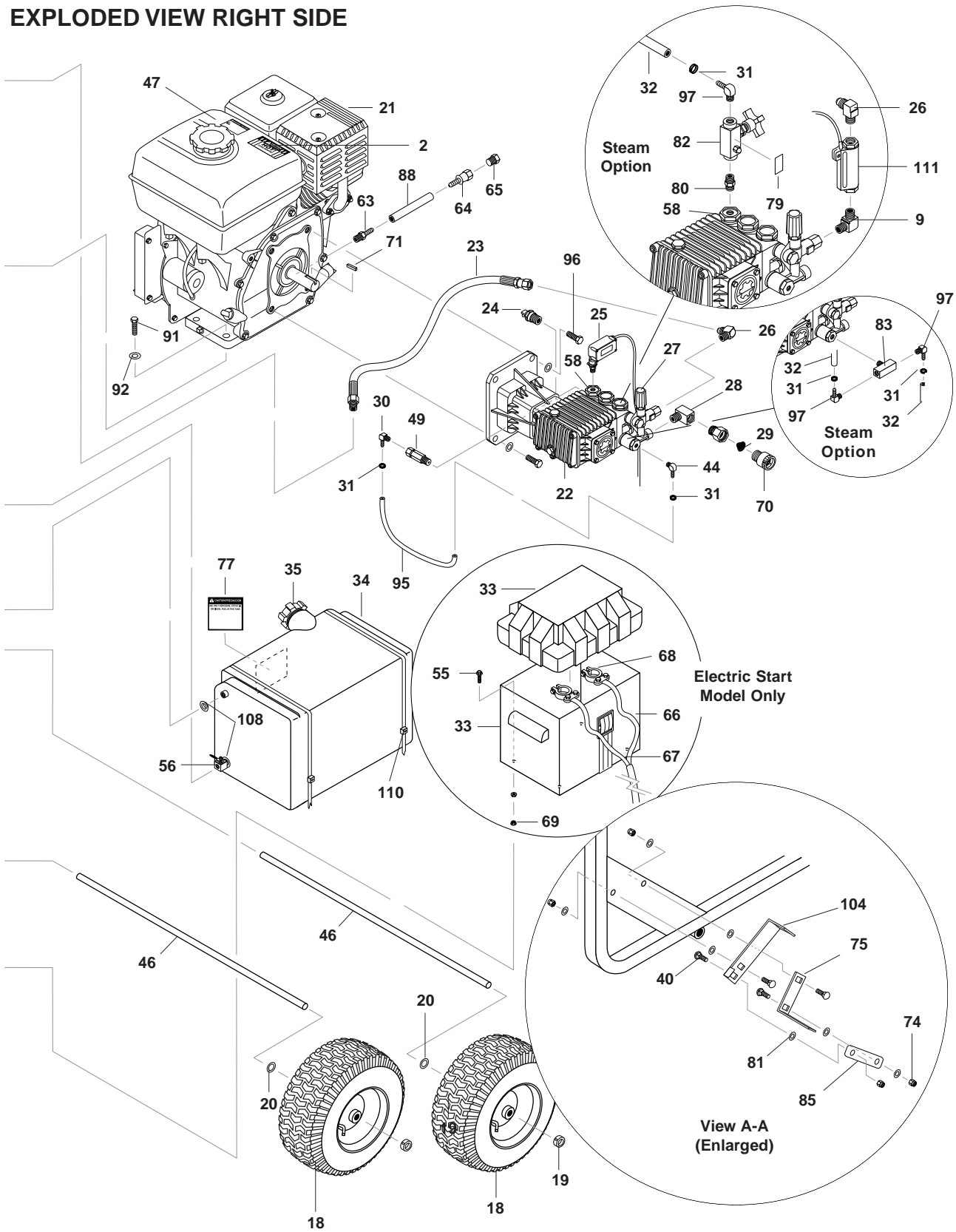
■ SGP-4035E



3020, 3025 MODELS EXPLODED VIEW



3030, 3530, 3530E, 4030E MODELS EXPLODED VIEW RIGHT SIDE



ALL MODELS**EXPLODED VIEW PARTS LIST**

ITEM	PART NO.	DESCRIPTION	QTY	ITEM	PART NO.	DESCRIPTION	QTY
1	95-07290029	Tank Head Assembly, 16" Dia. x 8" Stack	1	21	5-010720	Engine, Honda, GX390KQNR2, 13 HP E/S, 18 Amp (4035E)	1
2	10-02025A	Label, Hot/Caliente w/Arrows Warning	3	22	5-1630	Pump, Legacy, WMG-2625 (302017)	1
3	90-50045	Clip, Retaining, U-Type	4		5-1631	Pump, Legacy, WMG-2530 (302517)	1
4	95-07290053	Retainer, Burner Insulation	1		5-23125	Pump, General, TX-1506G8 (303031)	1
5	95-07121218	Coil, Dura, 14.5" Dia, Sch 80 (3030, 3530, 3530E, 4035E)	1		5-23122	Pump, General, TX1509G8 (353031, 353031E)	1
	95-07102310	Coil Assy (3020, 3025)	1		5-23161	Pump, General, EZ-4035 (403531E)	1
6	95-07200129	Wrap, Outer Coil (3030, 3530, 3530E, 4035E)	1		5-1635	Pump, Legacy WMG-3030 (303037)	1
	95-07102249	Wrap, Outer Coil (3020, 3025)	1		5-1643	Pump, Legacy TMG-4040 (403537E)	1
7	2-0008	Nipple, 1/2" x M x M, Hex (3020, 3025)	1		5-1640	Pump, Legacy TMG-3535 (353037, 353037E)	1
	2-000891	Nipple 2-1/2" x 1/2", Pipe (3030, 3530, 3530E, 4035E)	1	23	4-02047725	Hose, 3/8" x 25", 2 Wire, Pressure Loop	1
8	95-07101225	Block, Discharge, Brass 3/8" x 1/2"	1	24	2-30082	Pump Protector, 1/2" PTP	1
9	2-0031	Elbow, 3/8" Street	1	25	6-021720	Switch, Pressure N/O, 1/4" NPT SS (except steam option)	1
10	2-2007	Nipple, 3/8" x 3/8" NPT ST Male	1	26	2-0053	Elbow, 1/2" JIC, 3/8", 90° (303031, 353031, 353031E, 403531E)	1
11	2-3408	Disk, Rupture Assy, 8000 PSI	1		2-00601	Elbow, 1/2" JIC x 3/8" FEM, 90° (303037, 353037, 353037E, 403537E, 302017, 302517)	1
12	2-90041	Clamp, Screw, #16	1	27	5-3025	Unloader, PA 8 GPM @3650 PSI, VB75K47L (303031, 353031, 353031E, 403531E)	1
13	4-02130050	Hose, 7/8" Push-On, Conduit	2.5 ft.		5-3151	Unloader, APR.S 3000, 5.3 @3000 (302017, 302517, 303037, 353037, 353037E)	1
14	90-19710	Screw, 1/4" x 3/4" HH NC	9		5-3152	Unloader, APR 35, 8 @ 4000 (403537E)	1
15	7-01482	Insulation, Tank Bottom, 1" Blanket	1	28	2-1024	Elbow, 1/2" Street, Brass	1
16	95-07102227	Assy, Frame (3030, 3530, 3530E, 4035E)	1	29	2-10942	Swivel, 1/2" MP x 3/4" GHF w/Strainer	1
	95-07104955	Assy. Frame, Mini (3020, 3025)	1	30	2-1088	Hose Barb, 1/4" Barb x 1/8" ML Pipe, 90° (3030, 3530, 3530E, 4035E)	1
17	11-013	Label, Die-Cut	2	31	2-9040	Clamp, Hose, UNI .46 - .54 (3030, 3530, 3530E, 4035E)	6
	11-014	Label, Die-Cut	2				4
18	4-0307	Wheel & Tire, 6" Steel Rim	4				
19	90-20041	Collar, 5/8" Bore Shaft	4				
20	90-4005	Washer, 5/8", Flat, SAE	4				
21	5-0003	Engine, Robin, 6 HP, 200W (3020)	1				
	5-0004	Engine, Robin, 7 HP, 200W (3025)	1				
	5-01021	Engine, Honda, GX270QAR2, 9 HP, 18 AMP (3030)	1				
	5-01072	Engine, Honda, GX340QNR2, 11 HP E/S, 18 AMP (3530E)	1				
	5-01070	Engine, Honda, GX340QAH2, 11 HP, 18 AMP (3530)	1				

ALL MODELS

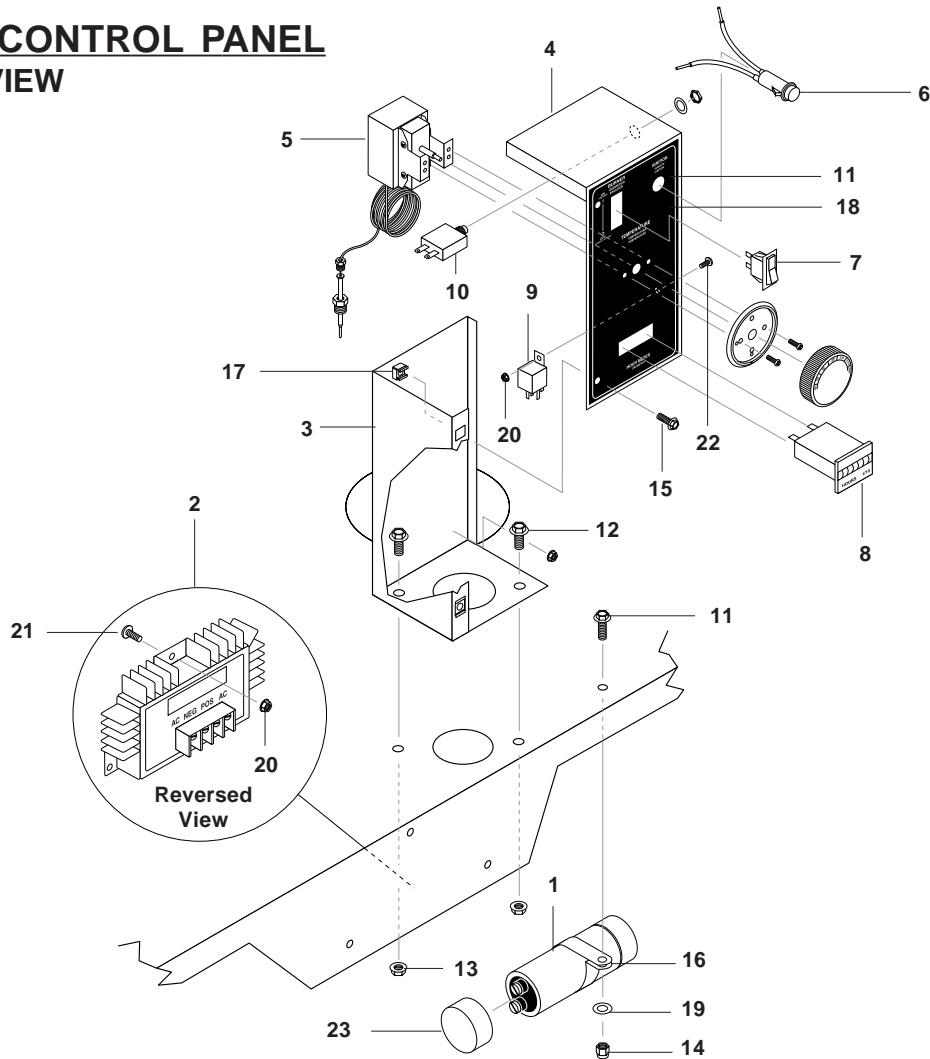
EXPLODED VIEW PARTS LIST (CONTINUED)

ITEM	PART NO.	DESCRIPTION	QTY	ITEM	PART NO.	DESCRIPTION	QTY
32	4-02100000	Hose, 1/4", Push-On, Fuel Line, 15 Inches (Steam Option)	1	52	90-1006	Bolt, 5/16" x 3/4" NC	8
33	2-0115	Box, Battery, M-100 (3530E, 4035E)	1	53	90-2001	Nut, 5/16" ESNA	8
	2-011500	▲ Plate, Battery Box, Large, PolyPro (3530E, 4035E)	1	54	90-4001	Washer, 5/16" Flat	20
34	2-0115090	Tank, Fuel, 6 Gallon	1	55	90-19715	Screw, 5/16" x 1-1/4", Whiz Loc (3530E, 4035E)	4
35	2-01167	Cap, Fuel Tank, Plastic H60-AV	1	56	2-30057	Valve, 1/4" Shut OFF	1
36	2-01053	Mount, Rubber Vibration, 40 Duro (Blue Dot)	2	57	11-3218	Label, Nozzle Identification	1
37	2-01052	Mount, Rubber Vibration, 30 Duro	2	58	1-190031	Cap, Valve w/1/4" Gauge Port (303031, 353031, 353031E, 403531E)	1
38	95-07290007	Tab, Outer Wrap	4		15-070042532	Cap, Valve w/1/4" Gauge Port, Legacy (302017, 302517, 303037, 353037, 353037E, 403537E)	1
39	2-0103	Grommet, Rubber, Nozzle Holder	4	59	7-014832	Insulation, Tank Head	1
40	90-100472	Bolt, Carriage, 1/4" x 1"	4	60	90-19960	Screw, 3/8" x 1-1/4", Whiz Loc	4
41	Burner Assy, See Burner Spec's Page 24			61	90-2022	Nut, Cage, 1/4" x 16 GA	5
42	90-2025	Nut, 5/16" Wing (3530E, 4035E)	4	62	10-09004	Label, Hot Water Outlet	1
43	90-20040	Nut, 3/8" Flange, Whiz Loc	4	63	2-11063	Plug, Push-On, Oil Drain, Honda	1
44	2-1089	Hose Barb, 1/4" Barb x 1/4" Pipe, 90° (303037, 353037, 353037E, 403537E)	1	64	2-11062	Swivel, 1/4" JIC FEM, Push-On	1
	2-1088	Hose Barb, 1/4" Barb x 1/8" ML Pipe, 90° (303031, 353031, 353031E, 403531E)	1	65	2-10491	Plug, 1/4" JIC	1
45	2-1085	Hose Barb, 1/4" Barb x 1/4" ML Pipe	1	66	6-0117	Wire, THWN, 6 GA, Red (3530E, 4035E)	2.75 ft.
46	95-07102229	Axle, 30" (3030, 3530, 3530E, 4035E)	2	67	6-0118	Wire, THWN, 6 GA, Black (3530E, 4035E)	3.75 ft.
	95-07104723	Axle, 27.80" (3020, 3025)	2	68	6-05101	Connector, Battery Post, Universal (3530E, 4035E)	2
47	10-02029	Label, Danger Cool Engine	1	69	90-20012	Nut, 5/16" Flange, Whiz Loc (3530E, 4035E)	4
48	2-00602	Elbow, 1/2" JIC x 1/2" Fem, 90° (3030, 3530, 3530E, 4035E)	1	70	2-30062	Valve, Anti-Siphon, Watts 8B	1
	2-0053	Elbow, 1/2" JICM x 3/8", 90° (3020, 3025)	1	71	95-07141121	Key, 0.247 SQR x 2.125 (3530, 3530E, 4035E)	1
49	2-3100544	Valve, E-Z Start, 3/8" MPT x 1/8" FPT (3030, 3530, 3530E, 4035E)	1		95-07141120	Key, 0.185 SQR x 1.75" (3020, 3025)	1
50	90-2020	Nut, Cage, 3/8" x 12 GA	4	72	90-20231	Nut, Cage, 1/4" x 12 GA	8
51	6-0615	Regulator, Voltage, 15 V (Pull Start)	1	73	90-19711	Screw, 1/4" x 1/2" HH NC, Whiz Loc	8
	77-31620-ZG5-003	Regulator/Rectifier, 18 AMP (Electric Start)	1	74	90-2000	Nut, 1/4"-20, ESNA	4
				75	95-07104828	Bracket, Brake Pad	1
				76	10-03015	Label, Warning, Text	1
				77	10-020110	Label, Use Only Kerosene	1
				78	2-01404	Bushing, 7/8" Snap (3030, 3530, 3530E, 4035E)	1

ALL MODELS**EXPLODED VIEW PARTS LIST (CONTINUED)**

ITEM	PART NO.	DESCRIPTION	QTY	ITEM	PART NO.	DESCRIPTION	QTY
7910-99011		Label, Open For Steam (Steam Option)	1	97	2-1089	Elbow, 1/4" Hose Barb x 1/4" Pipe, Steam Option (3030, 3530, 3530E, 4030E)	3
80	2-0004	Nipple, 1/4", Hex, Steel (Steam Option)	1	98	2-10818	Reducer, M14 x 1/4" F (3020, 3025)	1
81	90-4000	Washer, 1/4", Flat, SAE	10	99	2-1046	Plug, 1/4", Countersunk (3020, 3025)	1
82	2-30151	Valve, Flow Control w/Metering (Steam Option)	1	100	2-1089	Hose Barb, 1/4" Barb x 1/4" Pipe, 90°	1
83	2-1037	Tee, 1/4" Branch Male, Legacy Pumps (Steam Option)	1	101	2-1022	Elbow, 1/4" Street (3030, 3530, 3530E, 4035E)	1
	2-1039	Tee, 1/8" Branch, General Pumps (Steam Option)	1	102	2-01403	Bushing, 3/4" Snap (3020, 3025)	3
84	2-001346	Nipple, 1/4" x 2", Galvanized	1	103	7-01487	Insulation, Blanket, 18" x 52", Fiberglass (3020, 3025)	1
85	95-07104829	Linkage, Brake	1	104	95-07104827	Lever, Brake	1
86	2-99050	Filter, Parker Fuel/Oil/H ₂ O (10 Micron), Generic	1	105	90-1999	Screw, 10/32" x 3/4" BH SOC CS (3020, 3025)	3
87	4-02100000	Fuel Line, 1/4" (3030, 3530, 3530E, 4035E)	9 in	106	90-2018	Nut, Cage, 10/32" x 16 GA (3020, 3025)	3
88	4-02100000	Fuel Line, 1/4"(3030, 3530, 3530E, 4035E)	11 in 4 in	107	2-10866	Hose Barb, 1/4" Barb x 3/8", Double	1
89	6-01041	Service Cord, 12/3 Jr. (3030, 3530, 3530E, 4035E)	3.33 ft 4.50 ft	108	2-010061	Bushing, Rubber Nitrile	2
90	6-0516	Strain Relief, 1/2"	1	109	90-4008	Washer, 5/16" Lock Split Ring (3020, 3025)	4
91	90-1009	Bolt, 5/16" x 1-1/2"	4	110	6-05134	Cable, Tie, 48"	2
92	90-4008	Lock Washer, 5/16"	4	111	6-021730	Switch, Flow (Steam Option)	1
93	90-4008	Lock Washer, 5/16" (3530E, 4035E)	4			▲ Not Shown	
94	2-000891	Nipple, Galv, 1/2" x 2-1/2" (3030, 3530, 3530E, 4035E)	1				
95	4-02100000	Hose, 1/4 x 15"	1				
96	90-10074	Bolt, 5/16" - 24 NF (3020, 3025)	4				
	90-19960	Screw, 3/8" x 1-1/4" Whiz Loc (3030, 3530, 3530E, 4035E)	4				

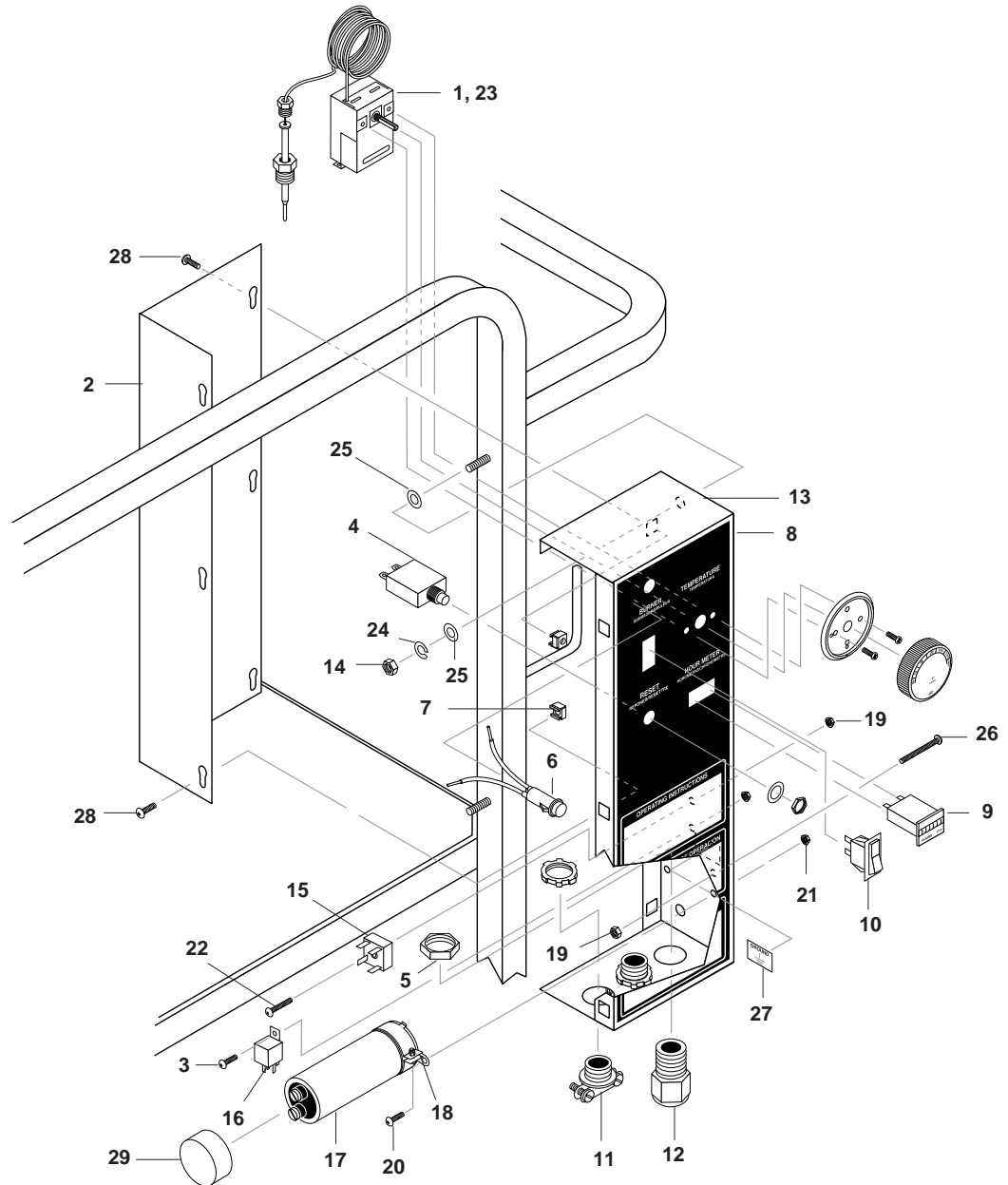
3020/3025 CONTROL PANEL EXPLODED VIEW



ITEM	PART NO.	DESCRIPTION	QTY
1	6-06070	Capacitor	1
2	6-0615	Regulator, Voltage, 15 Volt	1
3	95-07390109	Box, Electrical	1
	90-1994	▲ Screw, 10/32" x 1-1/4" (Ground)	1
	90-017	▲ Nut, 10/32", KEPS	8
	11-1042	▲ Ground Label	1
4	95-07104960	Assy, Cover, Elec. Box	1
5	4-05088	Thermostat, Adjustable, 302°F	1
6	6-020590	Light, Indicator, Green 12V	1
7	6-020251	Switch, Curvette RA901VB-B-1-V, Carling	1
8	4-050823	Meter, Hobbs Hour	1
9	6-03671	Relay, P & B, VF4-41F11, 12VDC, 40AMP	1
10	6-041250	Breaker, 1658-G41-02-P10-25A	1

ITEM	PART NO.	DESCRIPTION	QTY
11	90-19980	Screw, 1/4" x 1" BH SOC CS	1
12	90-19711	Screw, 1/4" x 1/2" HH NC, Whiz Loc	2
13	90-200012	Nut, 1/4" Whiz Loc	2
14	90-2000	Nut, 1/4", ESNA, NC	1
15	90-19942	Screw, 10/32" x 3/4" Hex	2
16	6-06071	Bracket, Capacitor	4
17	90-2018	Nut Cage, 10/32" x 16 GA	2
18	11-0357	Label, Control Panel	1
19	90-4000	Washer, 1/4"	1
20	90-017	Nut, 10/32" Keps	4
21	90-1999	Screw, 10/32" x 3/4"	4
22	90-1991	Screw, 10/32" x 1/2"	1
23	2-011681	Cap, Capacitor, 1.37 x 1.50 x .060 Blk, w/o Hole	1

**3030/3530/3530E4035E CONTROL PANEL
EXPLODED VIEW**

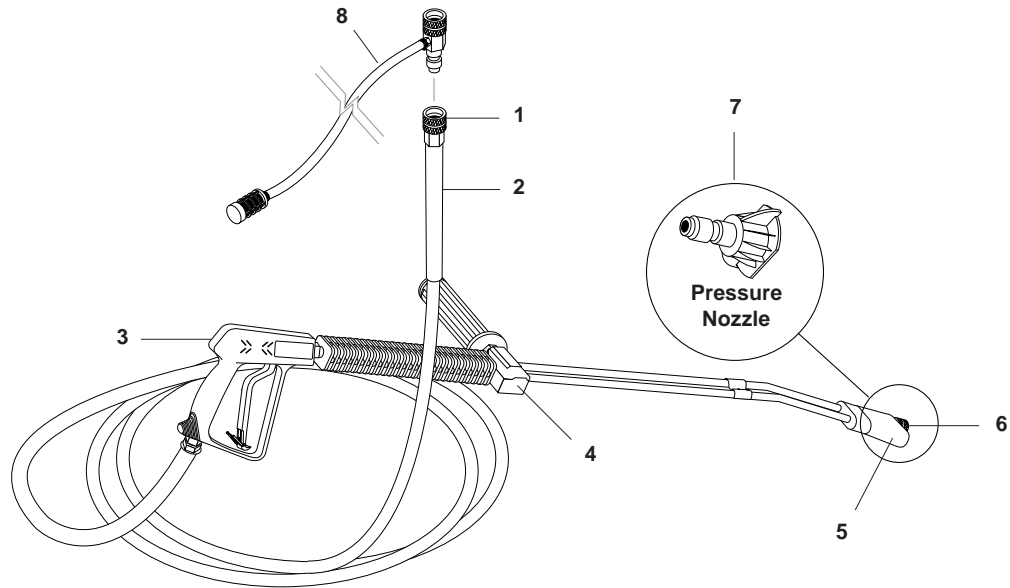


3030/3530/3530E4035E CONTROL PANEL EXPLODED VIEW PARTS LIST

ITEM	PART NO.	DESCRIPTION	QTY	ITEM	PART NO.	DESCRIPTION	QTY
1	4-05088	Thermostat, Adjustable, 302°F	1	16	6-03671	Relay, P & B, VF4-41F11, 12VDC, 40AMP	1
2	95-07102228	Cover, Electric Box	1	17	6-06070	Capacitor (3030, 3530)	1
3	90-1991	Screw, 10/32" x 1/2" BHSOC, Black	6	18	6-06071	Bracket, Capacitor (3030, 3530)	1
4	6-041250	Breaker, 1658-G41-02-P10-25A	1	19	90-017	Nut, 10/32" Keps	9
5	6-05181A	Locknut, 1/2"	1	20	90-14	Screw, 6/32" x 3/8", RND HD MCH (3030, 3530)	2
6	6-020590	Light, Indicator, Green 12V	1	21	90-200430	Nut, 6/32" Keps (3030, 3530)	2
7	90-2018	Cage, Nut, 10/32" x 16 GA	6	22	90-1999	Screw, 10/32" x 3/4" BH SOC CS1	1
8	11-0505	Label, Control Panel	1	23	6-02170	▲ Conduit, Split, 1/4"	5.5 ft.
9	4-050823	Hour Meter, Hobbs, 12-48VDC	1	24	90-4008	Washer, 5/16", Lock, Split Ring	2
10	6-020251	Switch, Curvette RA901VB-B-1-V, Carling	1	25	90-40011	Washer, 5/16", Flat, Cut	4
11	6-0516	Strain Relief, 1/2" Metal, Two Screw	2	26	90-1994	Screw, 10/32" x 1-1/4" (Ground)	1
12	6-05152	Strain Relief, Small	1	27	11-1042	Label, Ground	1
13	95-07102231	Box, Electric, 16 GA MS	1	28	90-19942	Screw, 10/32" x 3/4", HEX	6
14	90-2006	Nut, 5/16" Hex	2	29	2-011681	Cap, Capacitor, 1.37 x 1.5 x .06 Blk, w/o Hole	1
15	6-0611	Rectifier, Bridge (3530E, 4035E)	1				

▲ Not Shown

HOSE AND SPRAY GUN ASSEMBLY ALL MODELS

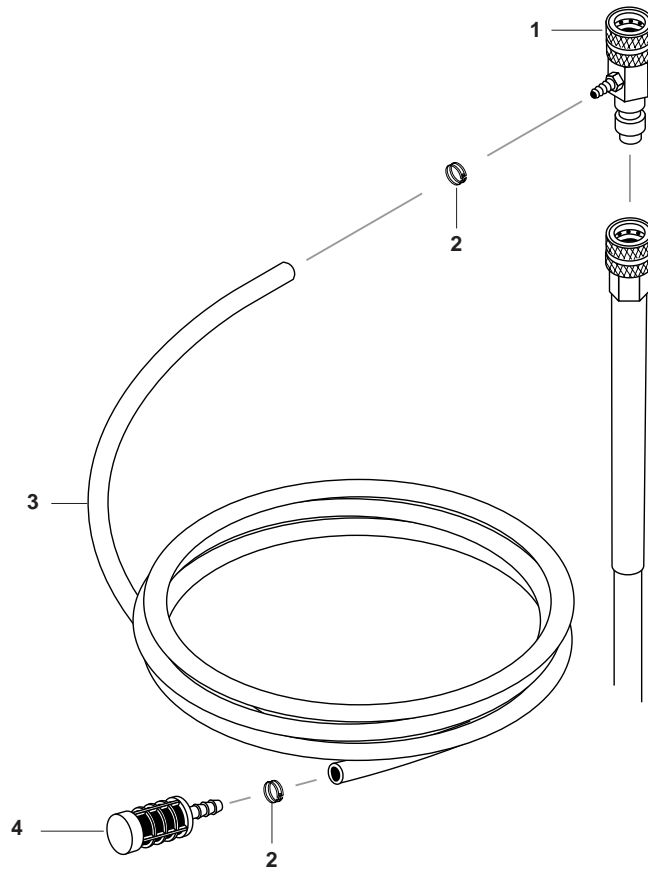


ITEM	PART NO.	DESCRIPTION	QTY
1	2-2002	Coupler, 3/8" Female	1
	2-0121	▲ Quick Coupler O-Ring LG	1
2	4-02093450BC	Hose, 3/8" x 50', 1 Wire, Blue w/Coupler (All Except 4035)	1
	4-02073450RC	Hose Only, 3/8" x 50', 2 Wire, Red w/Coupler (4035)	1
3	4-01246	Spray Gun, Shutoff, AP 1000	1
4	4-0111341A	Wand, VP Zinc 1/4", W/Coupler, W/Soap Nozzle	1
	83-SSVPKIT	▲ Repair Kit, VP Wand, SS Seat	1
5	4-06540	Nozzle, 1/8", Soap Only, Brass	1
6	2-2001	Coupler, 1/4" Male	1
	2-0119	▲ Quick Coupler O-Ring Sm	1
7	4-12803500	Nozzle, SAQMEG 0003.5, Red (3020, 3025, 4035)	1
	4-12803515	Nozzle, SAQMEG 1503.5, Yellow (3020, 3025, 4035)	1
	4-12803525	Nozzle, SAQMEG 2503.5, Green (3020, 3025, 4035)	1
	4-12803540	Nozzle, SAQMEG 4003.5, White (3020, 3025, 4035)	1

ITEM	PART NO.	DESCRIPTION	QTY
7	4-12804015	Nozzle, SAQMEG 1504, Yellow (3530)	1
	4-12804025	Nozzle, SAQMEG 2504, Green (3530)	1
	4-12804040	Nozzle, SAQMEG 4004, White (3530)	1
	4-12804000	Nozzle, SAQMEG 0004, Red (3530)	1
	4-12803015	Nozzle, SAQMEG 1503, Yellow (3030)	1
	4-12803025	Nozzle SAQMEG 2503, Green (3030)	1
	4-12803040	Nozzle SAQMEG 4003, White (3030)	1
	4-12803000	Nozzle SAQMEG 0003, Red (3030)	1
8	4-011184	Detergent Injector Assy #3 (3030, 3530, 3530E, 4035E)	1
	4-011183	Detergent Injector Assy #2 (3020, 3025)	1

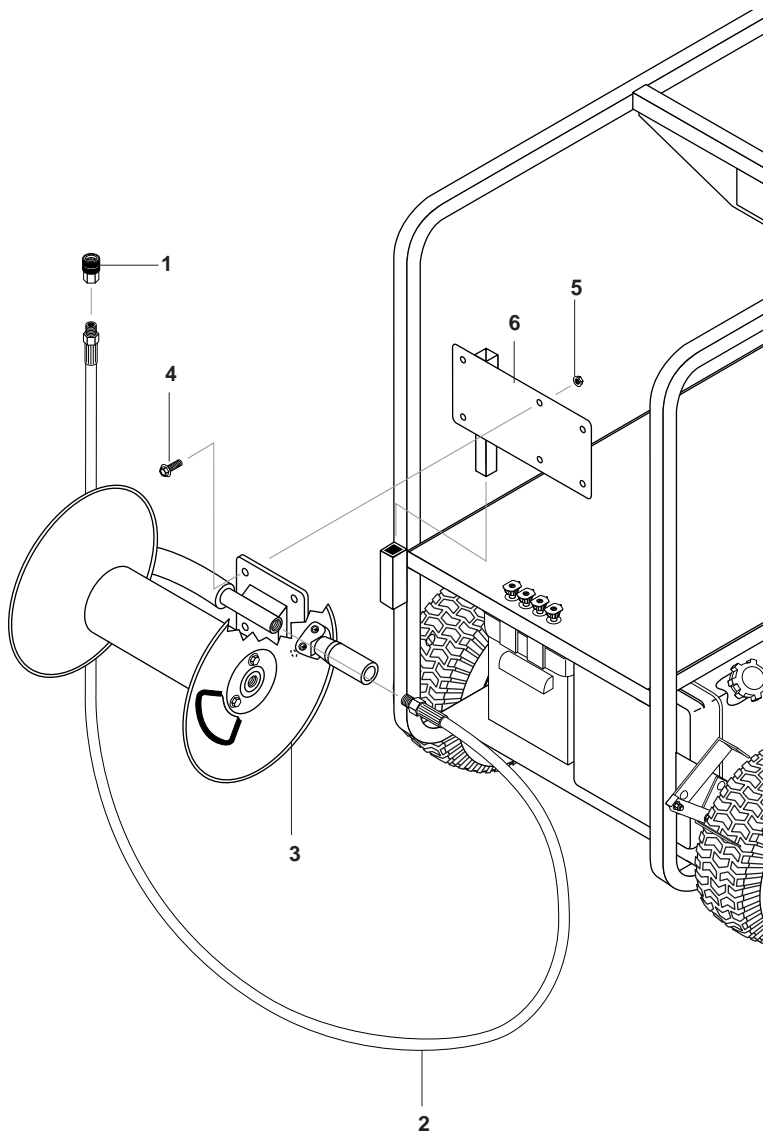
▲ Not Shown

DOWNSTREAM INJECTOR ASSEMBLY ALL MODELS



ITEM	PART NO.	DESCRIPTION	QTY
1	3-12021	Injector, Detergent, Non-Adjust #3, (4-011184)	1
	3-1202	Injector, Detergent, Non-Adjust #2, (4-011183)	1
2	2-9040	Clamp, Hose, UNI .46 - .54	2
3	4-02080000	Tube, 1/4" x 1/2", Clear Vinyl	6 ft.
4	2-1904	Strainer, 1/4", Hose Barb	1

HOSE REEL OPTION



ITEM	PART NO.	DESCRIPTION	QTY
1	2-2002	Coupler, 3/8", Female, Brass	1
2	4-02047736	Hose, 3/8", 2 Wire Pressure Loop	1
3	4-02755030	Hose Reel, 100' Non-Pivot E-ZEE w/Pin Lock	1
4	90-1996	Screw, 3/8" x 3/4" HH NC, Whiz Loc	4
5	90-20040	Nut, 3/8" Flange, Whiz Loc, NC 4	4
6	95-072900891	Bracket, E-ZEE Hose Reel Right, Wrinkle Black	1

BECKETT BURNER SPECIFICATIONS

Model #	Burner Assy #	Fuel Nozzle	Transformer	Burner Motor	Fuel Pump/ Solenoid/Cord	Fuel Solenoid Coil	Electrode
302017	7-00007	7-01260	7-515242	7-21699	7-00098	7-21754U	7-578727
302517	7-00007	7-01260	7-515242	7-21699	7-00098	7-21754U	7-578727
303031	7-00031	7-01215	7-515242	7-21699	7-00098	7-21754U	7-578727
303037	7-00031	7-01215	7-515242	7-21699	7-00098	7-21754U	7-578727
353031	7-00031	7-0101	7-515242	7-21699	7-00098	7-21754U	7-578727
353037	7-00031	7-0101	7-515242	7-21699	7-00098	7-21754U	7-578727
353031E	7-00031	7-0101	7-515242	7-21699	7-00098	7-21754U	7-578727
353037E	7-00031	7-0101	7-515242	7-21699	7-00098	7-21754U	7-578727
403531E	7-00031	7-0102	7-515242	7-21699	7-00098	7-21754U	7-578727
403537E	7-00031	7-0102	7-515242	7-21699	7-00098	7-21754U	7-578727