

OPERATION & PARTS MANUAL



SideWinder

MODEL HS62 CUT-OFF SAW

Revision #5 (09/12/05)

THIS MANUAL MUST ACCOMPANY THE EQUIPMENT AT ALL TIMES.

HS62 CUT-OFF SAW — TABLE OF CONTENTS

Here's How To Get Help	3	Carburetor Mounting Assembly	56-57
Table Of Contents	4	Carburetor Assembly	58-59
Parts Ordering Procedures	5	Crankshaft and Piston Assembly	60-61
Safety Message Alert Symbols	6-7	Sprinkler Kit Assembly	62-63
Rules For Safe Operation	8-11	Tools	64-65
Specifications (Saw/Engine)	12	Recommended Diamond Blades	66
Decal Placement	13		
		Terms and Conditions of Sale — Parts	67

MULTIQUIP — HS62 CUT-OFF SAW

Controls & Components	14-15
Saw Assembly Instructions	16-20
Water Kit Installation Procedure	21
Blades	22
Initial Start-Up/Operation	23-24
Maintenance	25
Troubleshooting (Blade)	26
Troubleshooting (Engine)	27-28
Filter Kits	29
Explanation of Codes in Remarks Column	30
Suggested Spare Parts	31
Muffler Assembly	32-33
Recoil Start Assembly	34-35
Crankcase (Clutch Side) Assembly	36-37
Crankcase (Flywheel) Assembly	38-39
V-belt Cover (Clutch Side) Assembly	40-41
V-Belt Cover (Pulley) Blade Guard Assembly	42-43
Fuel, Lifting Handle, and Roller Assembly	44-45
Throttle Linkage Assembly	46-47
Flywheel Cover Assembly	48-49
Flywheel Assembly	50-51
Ignition Assembly	52-53
Air Filter Assembly	54-55

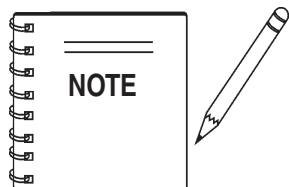
HS62 CUT-OFF SAW — SUGGESTED SPARE PARTS

SUGGESTED SPARE PARTS

HS62 SIDEWINDER CUT-OFF SAW

1 to 3 Units

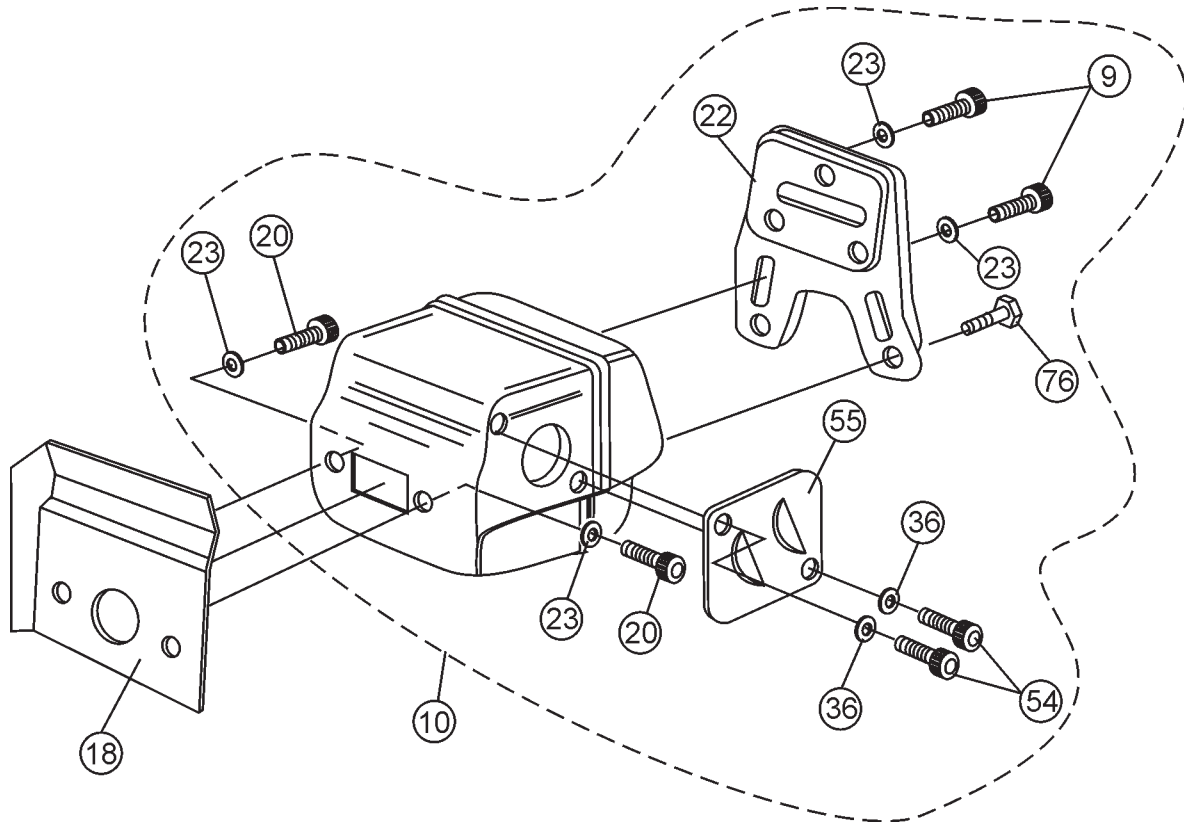
Qty.	P/N	Description
1	HS5202011	STARTER ASSEMBLY
3	HS098000079	ROPE, STARTER
1	HS52010080	HANDLE, ROPE
1	HS098000060A	SPRING & CASE, STARTER
6	HS5000019	SPARK PLUG
1	HS50012023A	CLUTCH ASSEMBLY
1	HS52022005	FUEL CAP, W/O-RING
3	HS50010218	FILTER, FUEL
1	HS52010092	THROTTLE TRIGGER LEVER
1	HS52010077	THROTTLE LOCK LEVER
1	HS52020037	CHOKE LEVER
1	HS52010022A	COVER, BELT GUARD
3	HS3918013	WASHER, BELT COVER
3	HS3914010	NUT, BELT COVER
3	HS52020020	V-BELT
2	HS018600235	FLANGE, ARBOR
2	HS018600236A	FLANGE, ARBOR
2	HS3806067	SCREW, ARBOR
2	HS018500061	WASHER, ARBOR
2	HS52010062	KNOB, ADJ. GUIDE
2	HS3833080	WASHER, ADJ. GUIDE
2	HS52010012	SPACER, ADJ. GUIDE
2	HS52010013	LOCK, GUIDE BLADE GUARD
1	HS018600273A	FLANGE, PRE-FILTER CAP
1	HS52010014A	SUPPORT FILTER
2	HS3802002	SCREW, FILTER SUPPORT
1	HS330000010	O-RING, FLANGE PRE-FILTER
1	HS018600090A	GASKET, AIR FILTER LOWER
18	HS018600125	AIR FILTER
6	HS018600056A	FILTER, AIR INNER
18	HS52020011	PRE-FILTER, FOAM
3	HS4191240	TOOL KIT
3	HS099900778A	WET, AIR FILTER
3	HS52010082	BREATHING ASSEMBLY
1	00325	CASE, OIL 2-STROKE NON-SMOKE - 36 BOTTLES



The contents of this parts catalog are subject to change without notice.

HS62 CUT-OFF SAW — MUFFLER ASSY.

MUFFLER ASSY.



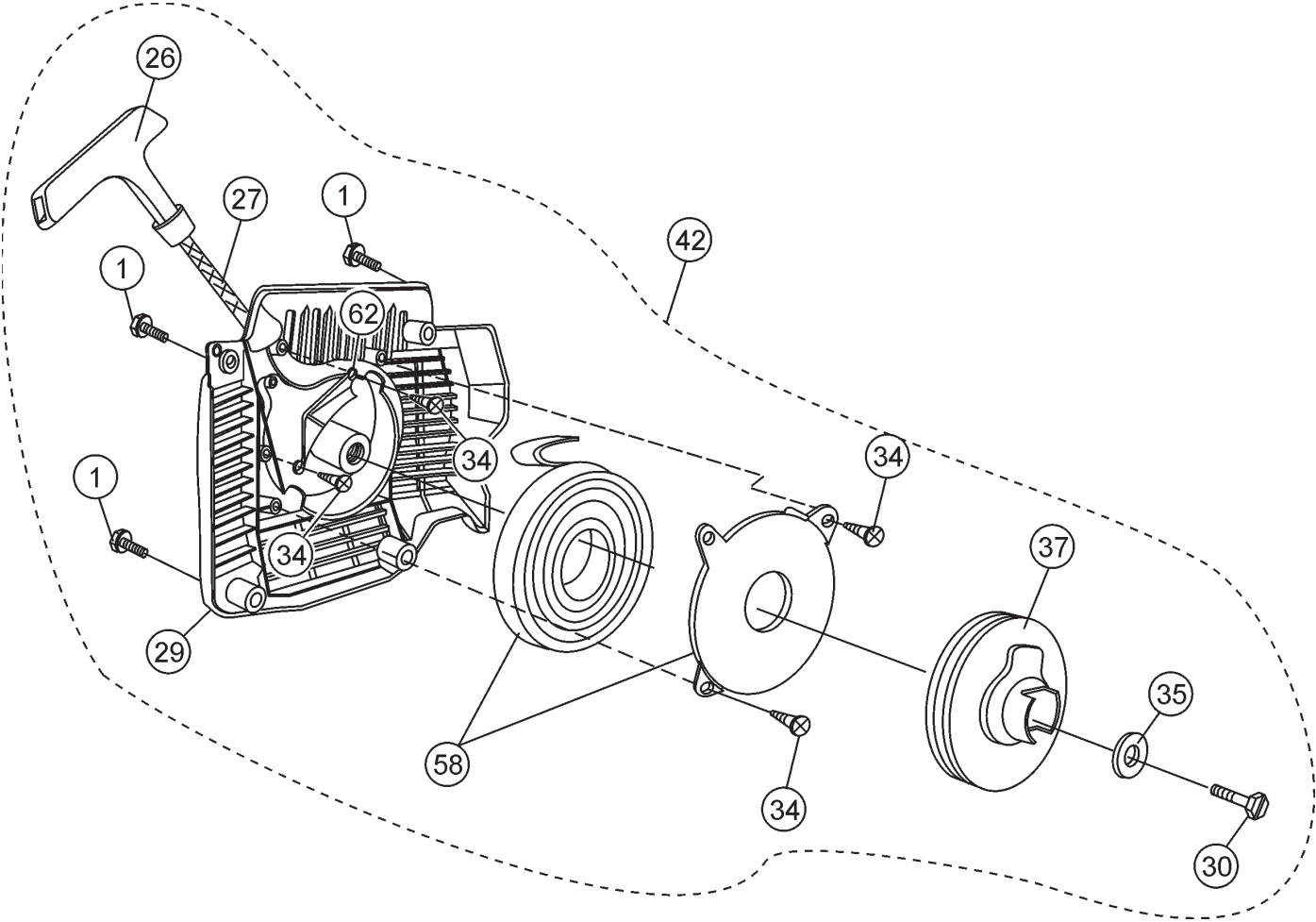
HS62 CUT-OFF SAW — MUFFLER ASSY.

MUFFLER ASSY.

<u>NO.</u>	<u>PART NO.</u>	<u>PART NAME</u>	<u>QTY.</u>	<u>REMARKS</u>
9*	HS53801052	SCREW	3	
10	HS52022028	MUFFLER ASSEMBLY	1	INCLUDES ITEMS W/*
18	HS50010058	GASKET, MUFFLER	1	
20*	HS3801045	SCREW	2	
22*	HS50010145	COVER, MUFFLER	1	
23*	HS3033074	WASHER	5	
36*	HS3833073	WASHER	2	
54*	HS005100913	SCREW	2	
55*	HS50010198	DEFLECTOR, MUFFLER	1	
76	HS097000092	SCREW	2	

HS62 CUT-OFF SAW — RECOIL START ASSY.

RECOIL START ASSY.



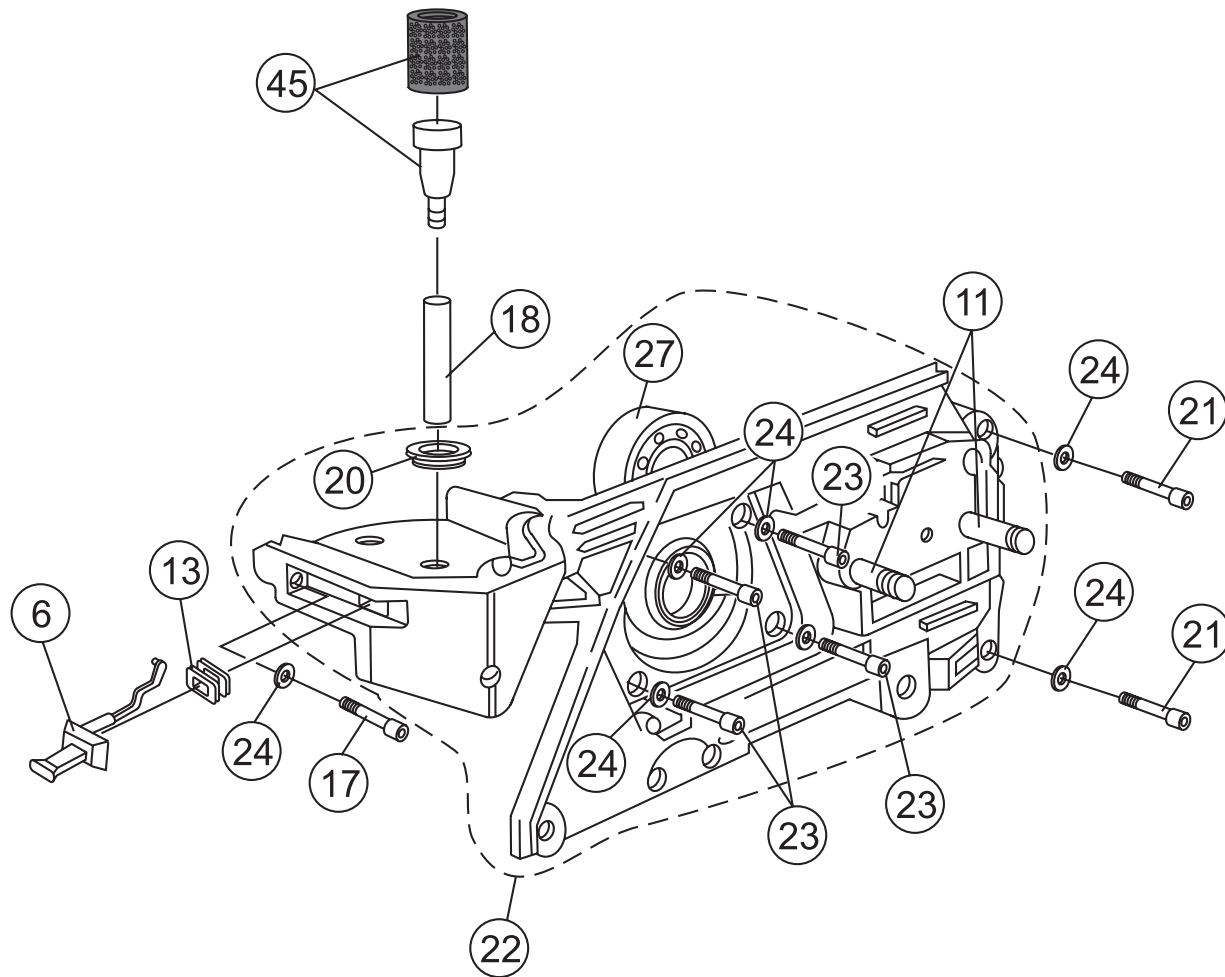
HS62 CUT-OFF SAW — RECOIL START ASSY.

RECOIL START ASSY.

<u>NO.</u>	<u>PART NO.</u>	<u>PART NAME</u>	<u>QTY.</u>	<u>REMARKS</u>
1*	HS097000092	SCREW	4	
26*	HS52010080	HANDLE, STARTER ROPE	1	
27*	HS098000079	ROPE, STARTER	1	
29*	HS52020041	CASE, STARTER	1	
30*	HS3908036	SCREW	1	
34*	HS005400785	SCREW	4	
35*	HS3918006	WASHER	1	
37*	HS097000041	PULLEY, STARTER	1	
42	HS52022011	STARTER ASSEMBLY	1	INCLUDES ITEMS W/*
58*	HS098000060A	SPRING AND CASE, STARTER	1	
62*	HS52010180	COVER, STARTER SPRING	1	

HS62 CUT-OFF SAW — CRANKCASE (CLUTCH SIDE) ASSY.

CRANKCASE (CLUTCH SIDE) ASSY.



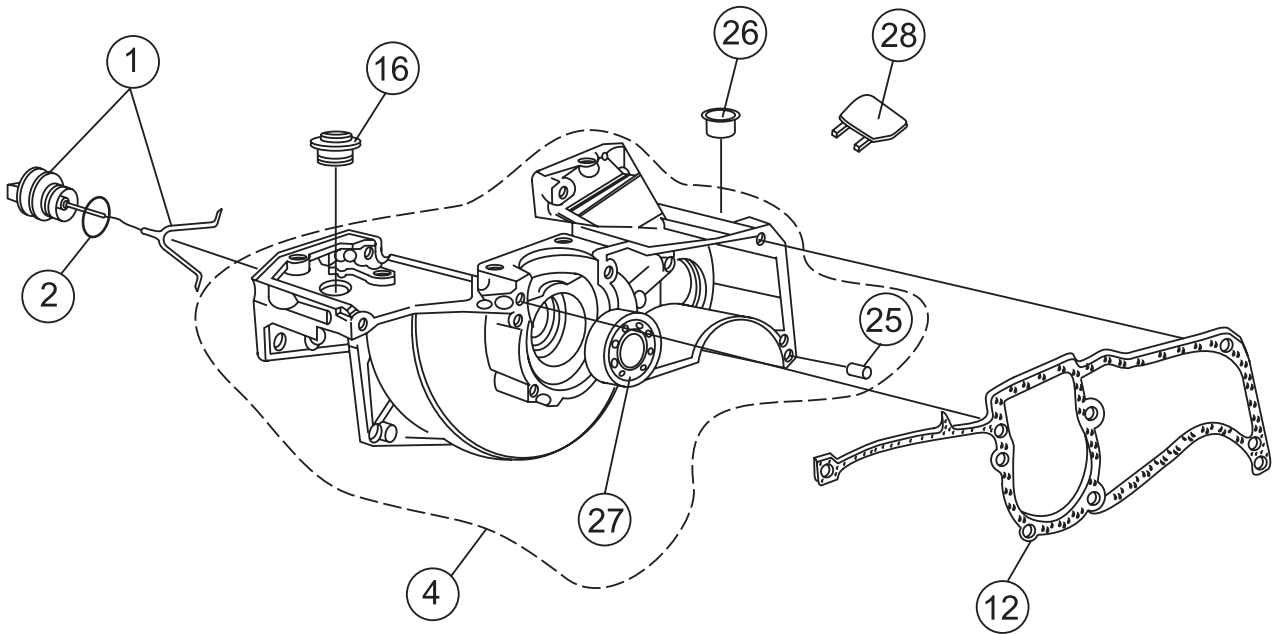
HS62 CUT-OFF SAW — CRANKCASE (CLUTCH SIDE) ASSY.

CRANKCASE (CLUTCH SIDE) ASSY.

<u>NO.</u>	<u>PART NO.</u>	<u>PART NAME</u>	<u>QTY.</u>	<u>REMARKS</u>
6	HS52020037	CHOKE LEVER	1	
11*	HS097000080A	BAR STUD, CRANKCASE	2	
13	HS097000057	GROMMET	1	
17	HS005100987	SCREW	1	
18	HS093000448	FUEL LINE	1	
20*	HS50010029	GROMMET	1	
21	HS006100303	SCREW	1	
22	HS52022030	CRANKCASE W/BEARING, (CLUTCH SIDE)	1	INCLUDES ITEMS W/*
23	HS3801015	SCREW	4	
24	HS3833073	WASHER	7	
27*	HS3034012	BEARING, CRANKCASE	1	
45	HS52010082	BREATHER ASSEMBLY	1	

HS62 CUT-OFF SAW — CRANKCASE (FLYWHEEL SIDE) ASSY.

CRANKCASE (FLYWHEEL SIDE) ASSY.



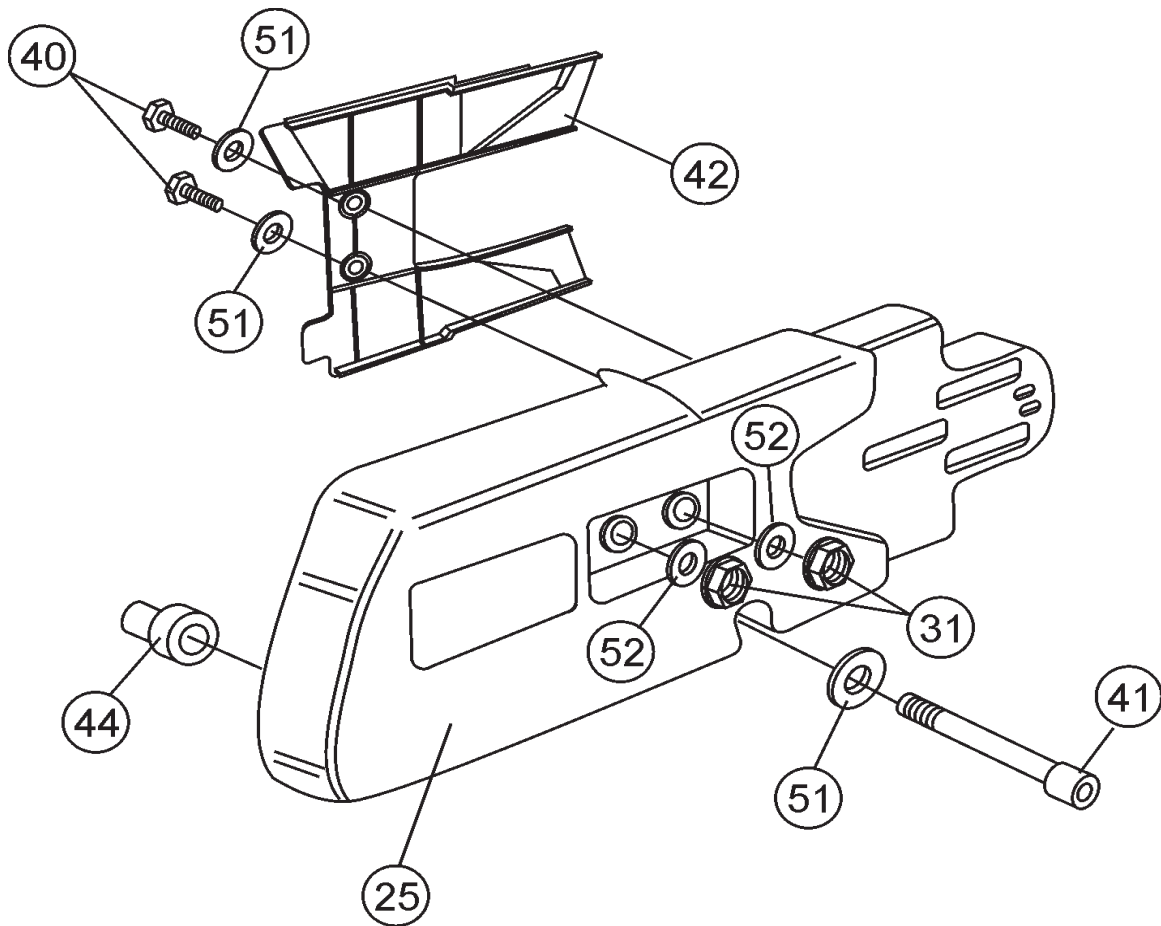
HS62 CUT-OFF SAW — CRANKCASE (FLYWHEEL SIDE) ASSY.

CRANKCASE (FLYWHEEL SIDE) ASSY.

<u>NO.</u>	<u>PART NO.</u>	<u>PART NAME</u>	<u>QTY.</u>	<u>REMARKS</u>
1	HS52022005	CAP, FUEL W/O-RING	1	INCLUDES ITEMS W/*
2*	HS09900090	O-RING, FUEL CAP	1	
4	HS500120060D	CRANKCASE, W/ BEARING (FLYWHEEL SIDE) ..	1	INCLUDES ITEMS W/+
12	HS50010047A	GASKET, CRANKCASE	1	
16	HS52020014	GROMMET	1	
25+	HS3023008	PIN	2	
26	HS52020040	PLUG	1	
27+	HS3034012	BEARING, CRANKCASE	1	
28	HS52020013	CAP	1	

HS62 CUT-OFF SAW — V-BELT COVER (CLUTCH SIDE) ASSY.

V-BELT COVER (CLUTCH SIDE) ASSY



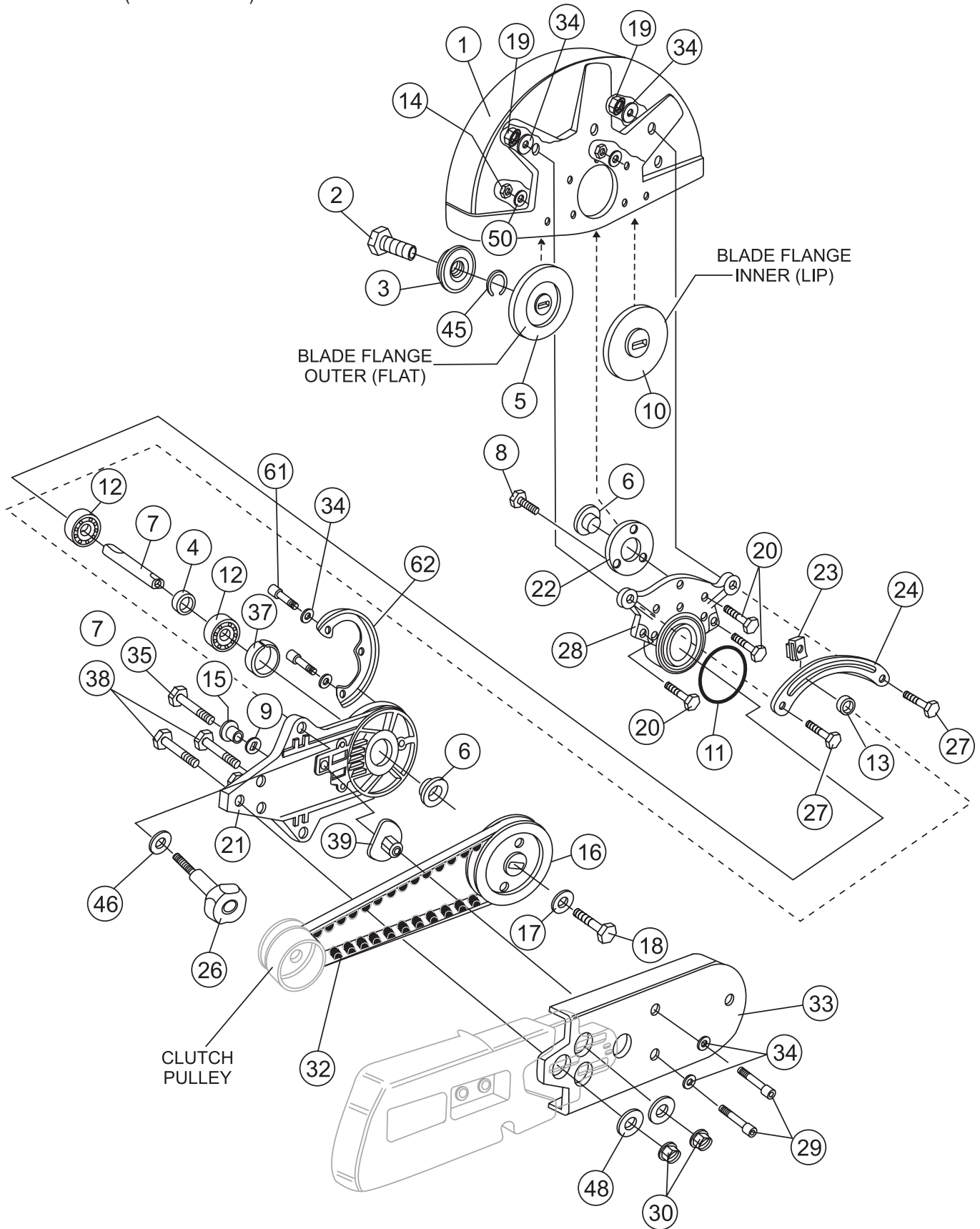
HS62 CUT-OFF SAW — V-BELT COVER (CLUTCH SIDE) ASSY.

V-BELT COVER (CLUTCH SIDE) ASSY.

<u>NO.</u>	<u>PART NO.</u>	<u>PART NAME</u>	<u>QTY.</u>	<u>REMARKS</u>
25	HS52022002	V-BELT COVER, (CLUTCH SIDE)	1	
31	HS50010148	NUT	2	
40	HS3806021	SCREW	2	
41	HS3801031	SCREW, HEX HEAD M5 X 40 MM	1	
42	HS52020019	GUARD, BELT INNER	1	
44	HS006000300	BUSHING	1	
51	HS3833073	WASHER	1	
52	HS3916008	WASHER	2	

HS62 CUT-OFF SAW — V-BELT COVER (PULLEY) / BLADE GUARD ASSY.

V-BELT COVER (PULLEY-SIDE)/BLADE GUARD ASSY.



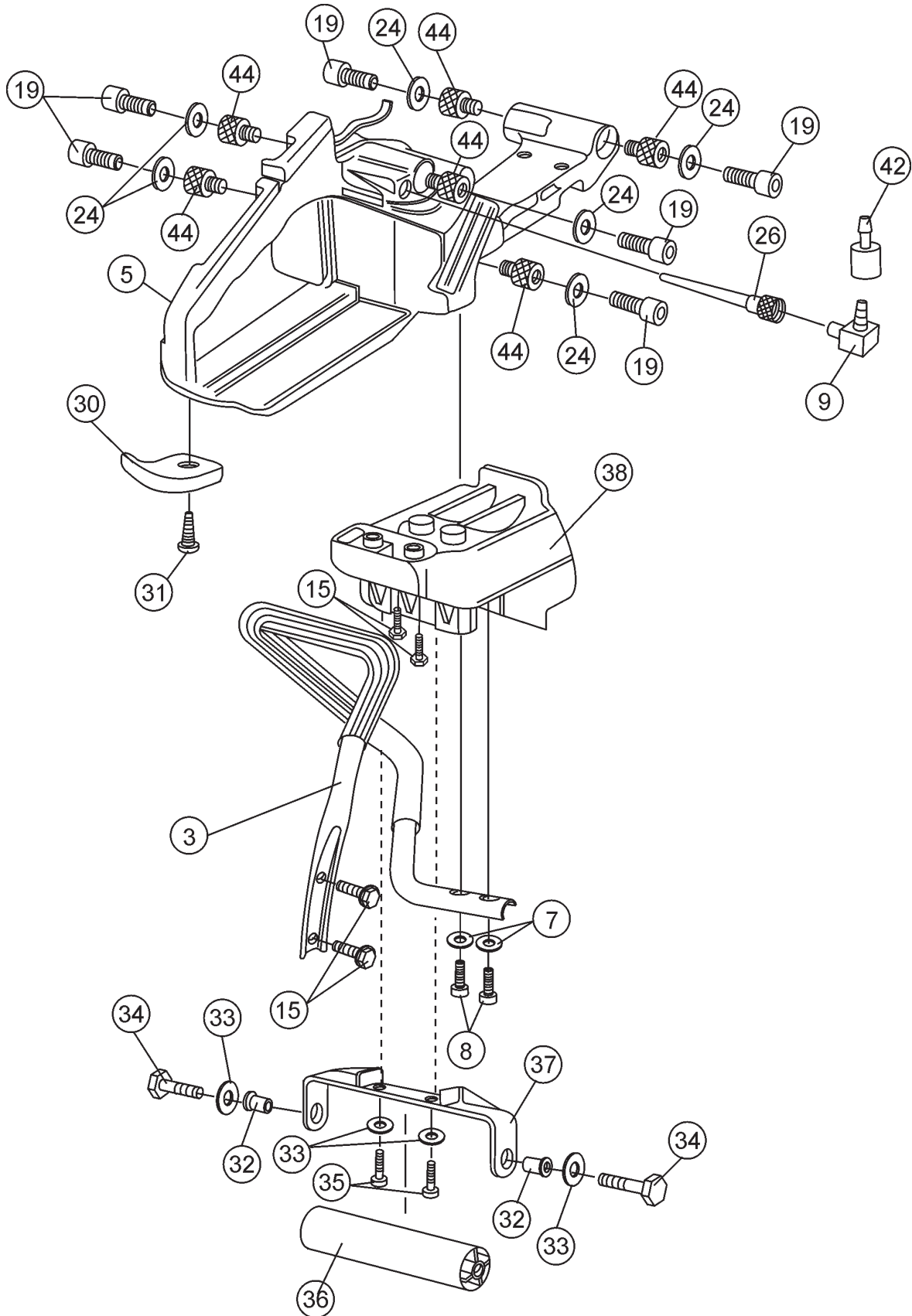
HS62 CUT-OFF SAW — V-BELT COVER (PULLEY) / BLADE GUARD ASSY.

V-BELT COVER (PULLEY-SIDE)/BLADE GUARD ASSY.

<u>NO.</u>	<u>PART NO.</u>	<u>PART NAME</u>	<u>QTY.</u>	<u>REMARKS</u>
1	HS52010026	BLADE COVER 14-INCH	1	
2	HS3806067	SCREW	1	
3	HS018500061	WASHER	1	
4	HS52010045	SPACER	1	
5	HS018600235	FLANGE, ARBOR (OUTER)	1	
6	HS52010044	SPACER	1	
7	HS018600019	SHAFT	1	
8	HS3806022	SCREW	3	
9	HS005000343	WASHER	1	
10	HS018600236	FLANGE, ARBOR (INNER)	1	
11	HS018100029	O-RING, BLADE GUARD SUPPORT	1	
12	HS3035019	BEARING	2	
13	HS52010012	SPACER	1	
14	HS094000251	NUT	5	
15	HS52010039	SPACER	1	
16	HS01860004A	PULLEY, BELT	1	
17	HS3918013	WASHER	1	
18	HS3806065	SCREW	1	
19	HS3918014	NUT	2	
20	HS3806021	SCREW	5	
21	HS52010009	ARM	1	
22	HS52010043	FLANGE	1	
23	HS52010013	LOCK, GUIDE BLADE GUARD	1	
24	HS52010024	GUIDE, BLADE GUARD	1	
26	HS52010062	KNOB, ADJUSTMENT GUIDE	1	
27	HS3906045	SCREW	2	
28	HS52010025	SUPPORT BLADE GUARD	1	
29	HS3801016	SCREW	2	
30	HS3914010	NUT	3	
32	HS52020020	V-BELT	1	
33	HS52010022A	COVER, V-BELT (PULLEY SIDE)	1	
34	HS3833073	WASHER	7	
35	HS3806037	SCREW	1	
37	HS52010046	BUSHING	1	
38	HS3806076	SCREW	1	
39	HS52010036	BELT ADJUSTER	1	
45	HS3026012	SNAP RING	1	
46	HS3833080	WASHER	1	
48	HS3918013	WASHER	3	
61	HS3906019	SCREW	3	
62	HS52010211	GUARD	1	

HS62 CUT-OFF SAW — FUEL, LIFTING HANDLE, AND ROLLER ASSY.

FUEL, LIFTING HANDLE AND ROLLER ASSY.



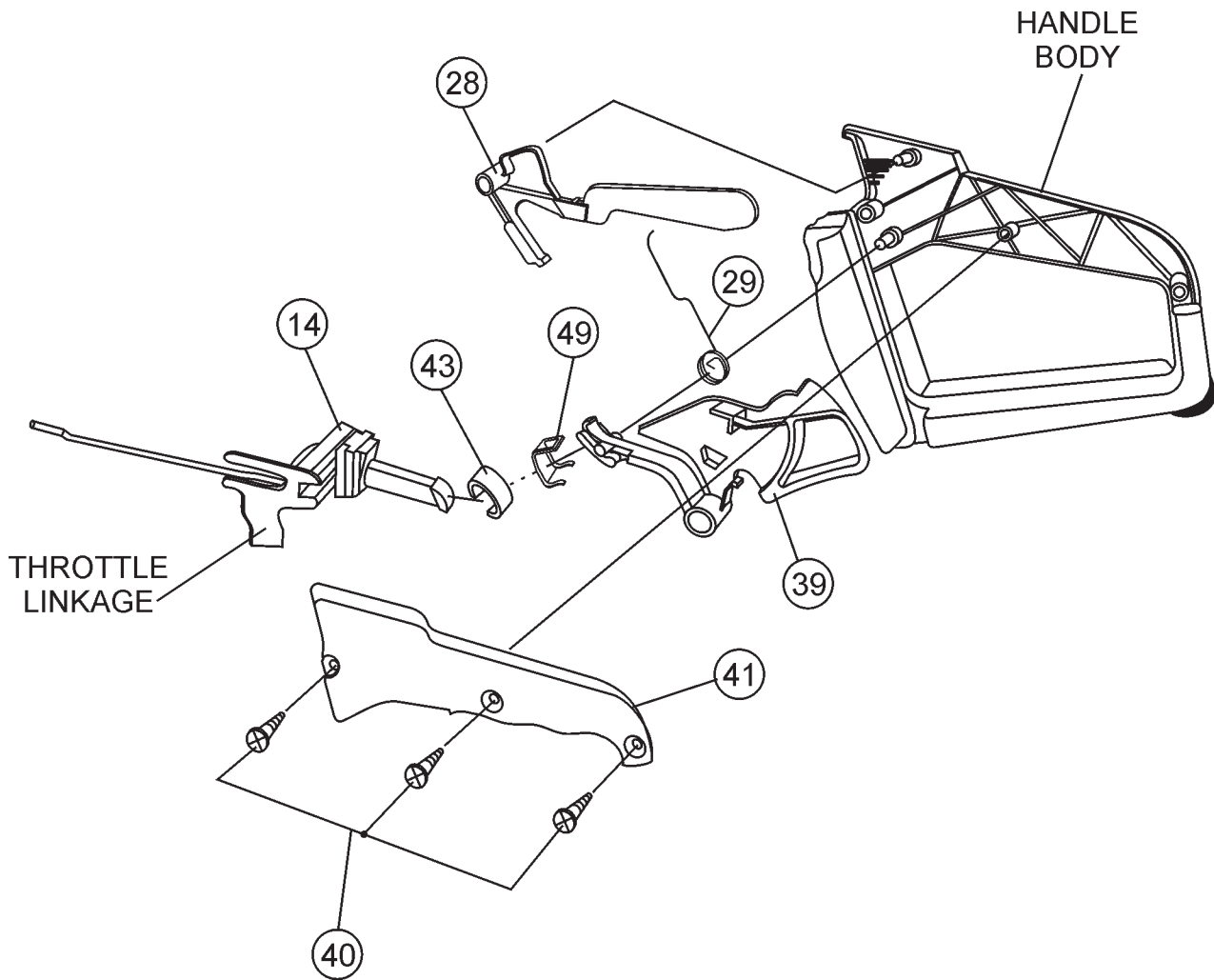
HS62 CUT-OFF SAW — FUEL, LIFTING HANDLE, AND ROLLER ASSY.

FUEL, LIFTING HANDLE AND ROLLER ASSY.

<u>NO.</u>	<u>PART NO.</u>	<u>PART NAME</u>	<u>QTY.</u>	<u>REMARKS</u>
3	HS52020023	HANDLE	1	
5	HS52020077	FUEL TANK ASSY.	1	
7	HS3072015	WASHER	2	
8	HS3801020	SCREW	2	
9	HS018500066	FITTING	1	
15	HS097000061A	SCREW	4	
19	HS006000251	SCREW	6	
24	HS3833073	WASHER	6	
26	HS018500096	BREATHER, VALVE BODY	1	
30	HS52020026	GUARD FUEL TANK	1	
31	HS3960087	SCREW	1	
32	HS018100317	SPACER, ROLLER SUPPORT LOWER	2	
33	HS3833076	WASHER	4	
34	HS3960045	SCREW	2	
35	HS3806035	SCREW	2	
36	HS018100171A	ROLLER	1	
37	HS52010098	SUPPORT, ROLLER LOWER	1	
38	HS52010215	MAIN ROLLER SUPPORT UPPER	1	
42	HS50010218	FILTER, FUEL	1	
44	HS52010066	SHOCK ABSORBER	6	

HS62 CUT-OFF SAW — THROTTLE LINKAGE ASSY.

THROTTLE ASSY.



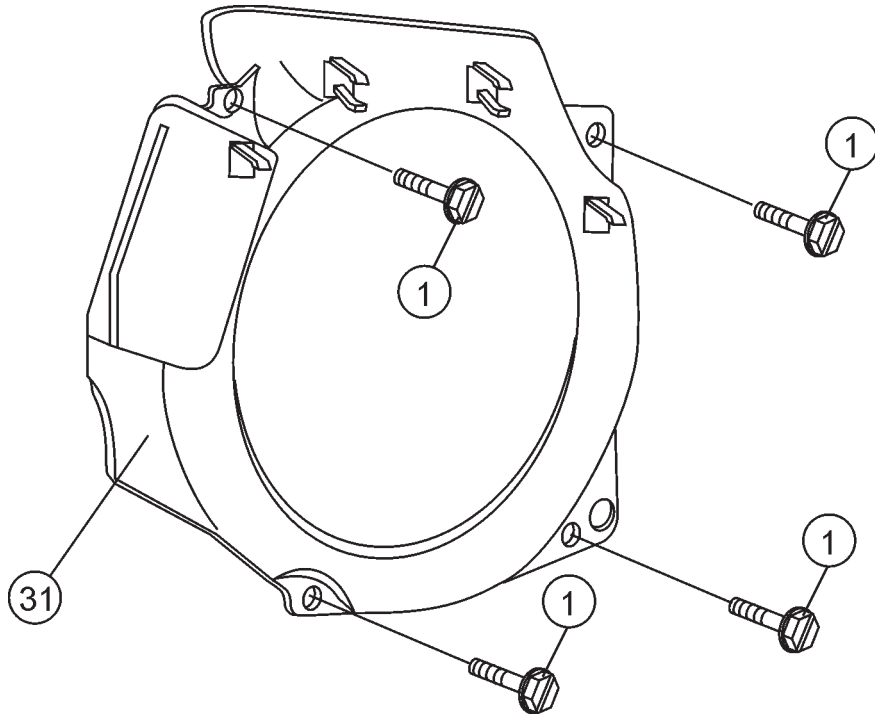
HS62 CUT-OFF SAW — THROTTLE LINKAGE ASSY.

THROTTLE ASSY.

<u>NO.</u>	<u>PART NO.</u>	<u>PART NAME</u>	<u>QTY.</u>	<u>REMARKS</u>
14	HS52022048	THROTTLE LINKAGE	1	
28	HS52010077	THROTTLE LOCK LEVER	1	
29	HS097000028	SPRING	1	
39	HS52010092	THROTTLE TRIGGER LEVER	1	INCLUDES ITEM W/ #
40	HS3960040	SCREW	3	
41	HS50010024	COVER, HANDLE/TANK	1	
43	HS52020013	CAP	1	
49#		PLATE	1	NOT SOLD SEPARATELY

HS62 CUT-OFF SAW — FLYWHEEL COVER ASSY.

FLYWHEEL COVER ASSY.



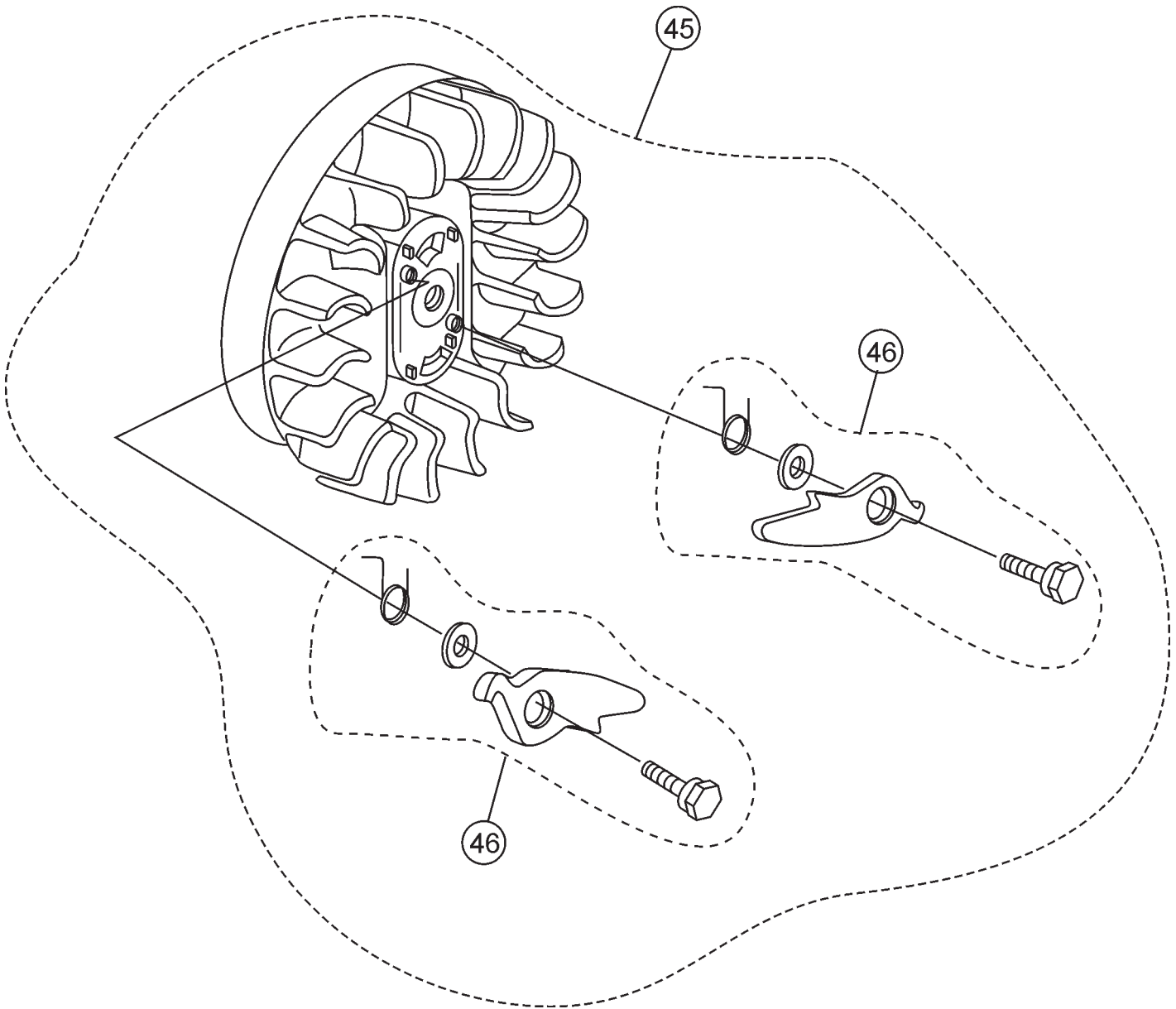
HS62 CUT-OFF SAW — FLYWHEEL COVER ASSY.

FLYWHEEL COVER ASSY.

<u>NO.</u>	<u>PART NO.</u>	<u>PART NAME</u>	<u>QTY.</u>	<u>REMARKS</u>
1	HS097000092	SCREW	4	
31	HS50010019A	FLANGE, STARTER	1	

HS62 CUT-OFF SAW — FLYWHEEL ASSY.

FLYWHEEL ASSY.



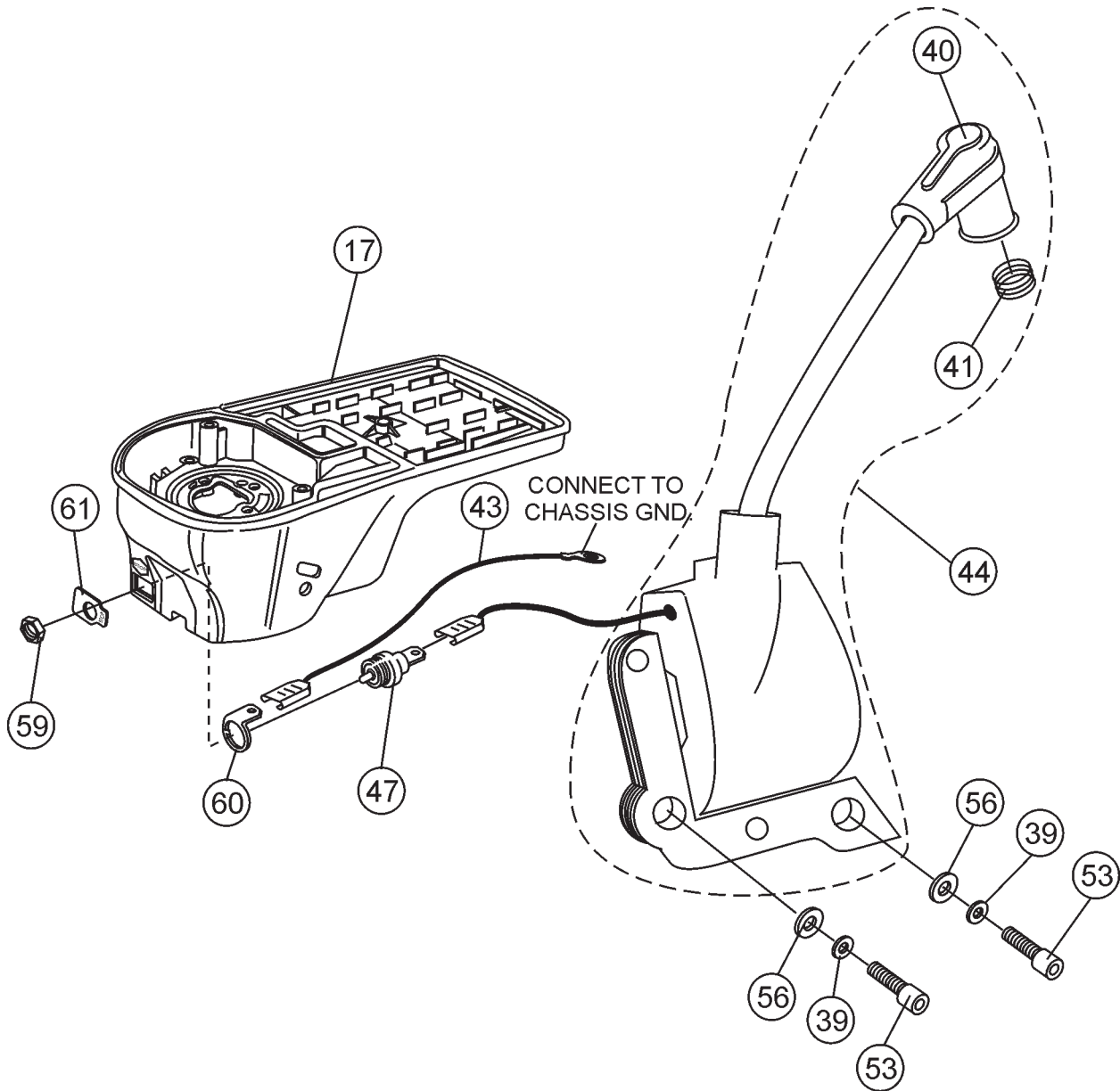
HS62 CUT-OFF SAW — FLYWHEEL ASSY.

FLYWHEEL ASSY.

<u>NO.</u>	<u>PART NO.</u>	<u>PART NAME</u>	<u>QTY.</u>	<u>REMARKS</u>
45	HS52020061	FLYWHEEL	1	INCLUDES ITEM W/*
46*	HS52012027	PAWL SET	1	

HS62 CUT-OFF SAW — IGNITION COIL ASSY.

IGNITION COIL ASSY.



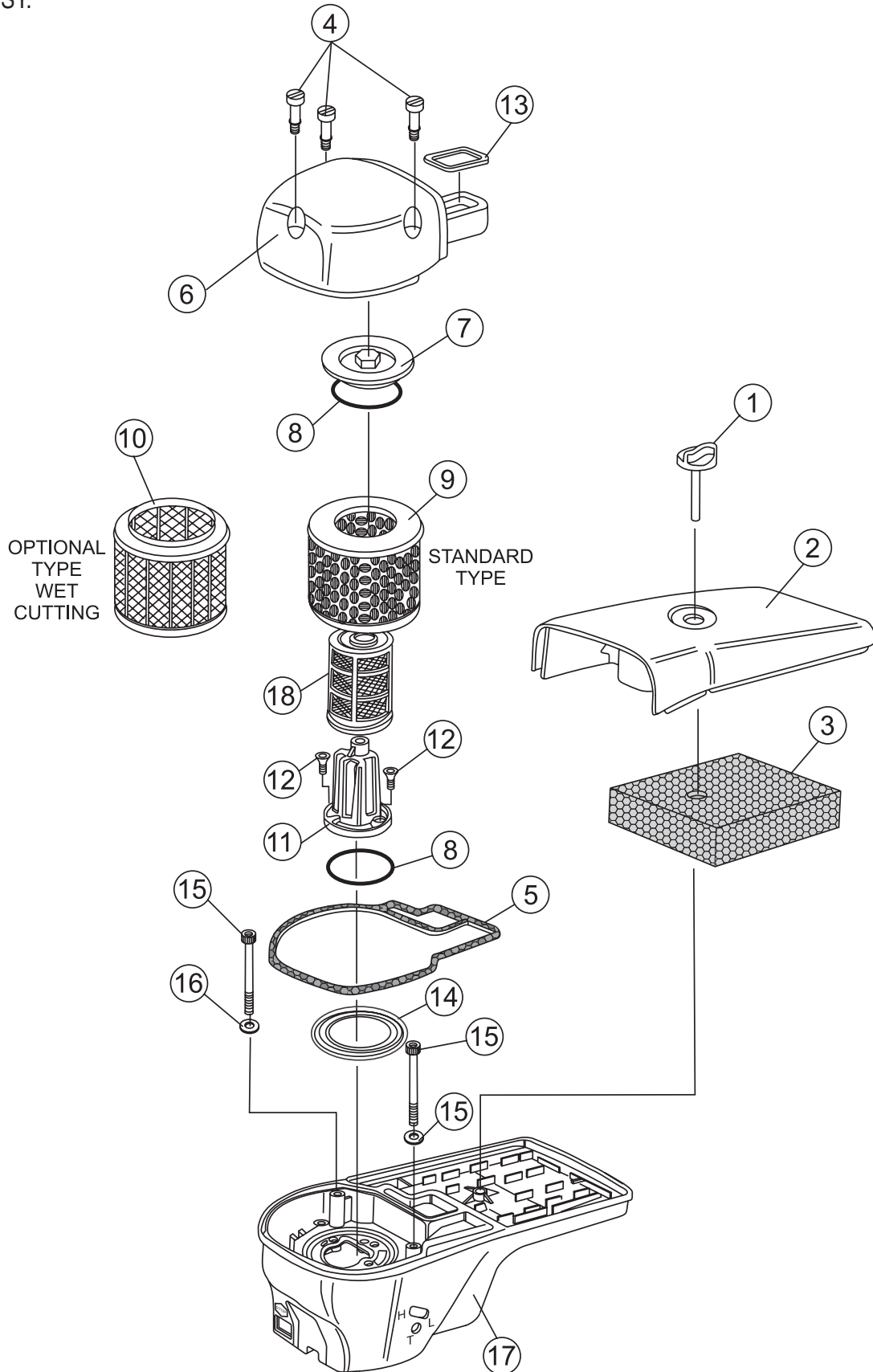
HS62 CUT-OFF SAW — IGNITION COIL ASSY.

IGNITION COIL ASSY.

<u>NO.</u>	<u>PART NO.</u>	<u>PART NAME</u>	<u>QTY.</u>	<u>REMARKS</u>
17	HS52020016	COVER, AIR FILTER LOWER	1	
39	HS006000315	WASHER	2	
40*	HS094600097	CAP, SPARK PLUG	1	
41*	HS094600169	SPRING SPARK PLUG	1	
43	HS097000121A	CABLE WIRE, ON-OFF SWITCH	1	
44	HS52020055	COIL, IGNITION ASSY.....	1	INCLUDES ITEM W/*
47	HS094500497	SWITCH, ON-OFF	1	
53	HS094000227	SCREW	2	
56	HS006000152	WASHER	2	
59	HS099900397	NUT	1	
60	HS52010132	CONNECTING LINK	1	
61	HS004000438	PLATE, ON-OFF SWITCH	1	

HS62 CUT-OFF SAW — AIR FILTER ASSY.

AIR FILTER ASSY.



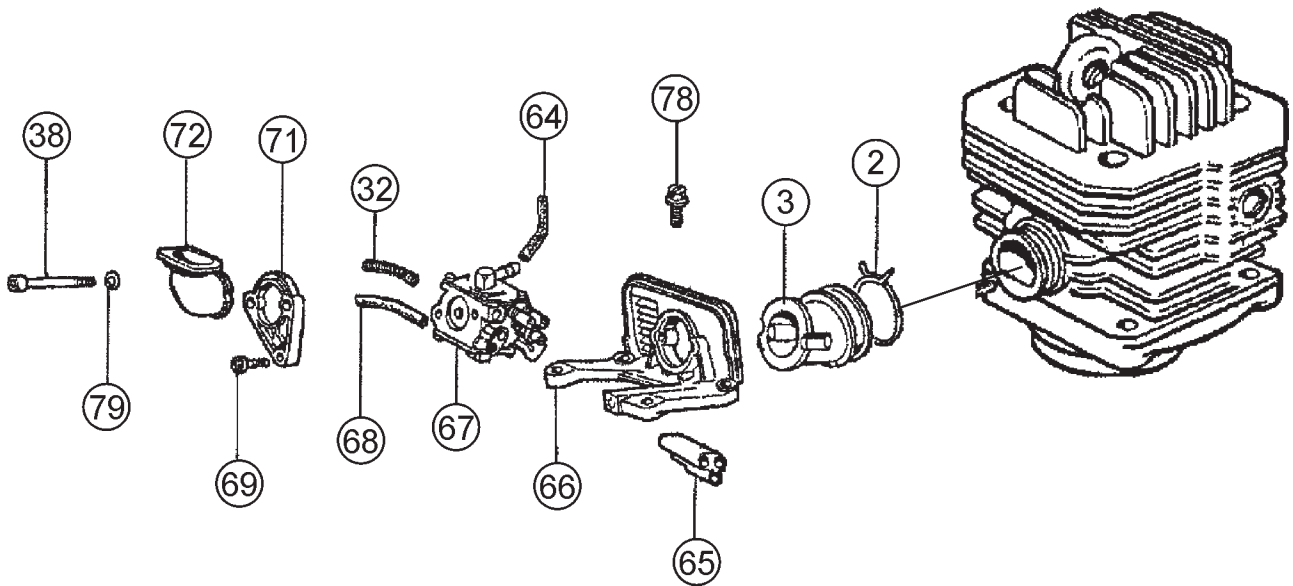
HS62 CUT-OFF SAW — AIR FILTER ASSY.

AIR FILTER ASSY.

<u>NO.</u>	<u>PART NO.</u>	<u>PART NAME</u>	<u>QTY.</u>	<u>REMARKS</u>
1	HS52010041	KNOB, AIR FILTER COVER	1	
2	HS52020018	COVER, AIR FILTER, LONG	1	
3	HS52020011	PRE- FILTER, FOAM	1	
4	HS093000468A	SCREW, AIR FILTER COVER	3	
5	HS52010059	GASKET, AIR FILTER BASE	1	
6	HS52022006	COVER, AIR FILTER, UPPER	1	
7	HS018600273A	FLANGE, PRE- FILTER, CAP	1	
8	HS330000010	O- RING, FLANGE PRE- FILTER	2	
9	HS018600125	FILTER, AIR	1	
10	HS099900778A	FILTER, AIR (WET CUTTING)	1	
11	HS52010014A	SUPPORT, FILTER	1	
12	HS3802002	SCREW, FILTER SUPPORT	2	
13	HS52010060	GASKET, AIR FILTER COVER	1	
14	HS018600090A	GASKET, AIR FILTER LOWER	1	
15	HS072700182	SCREW, AIR CLEANER MTG.	3	
16	HS3833073	WASHER, AIR CLEANER MTG.	3	
17	HS52020016	COVER, AIR FILTER LOWER	1	
18	HS018600056A	FILTER, AIR INNER	1	

HS62 CUT-OFF SAW — CARBURETOR MOUNTING ASSY.

CARBURETOR MOUNTING ASSY.



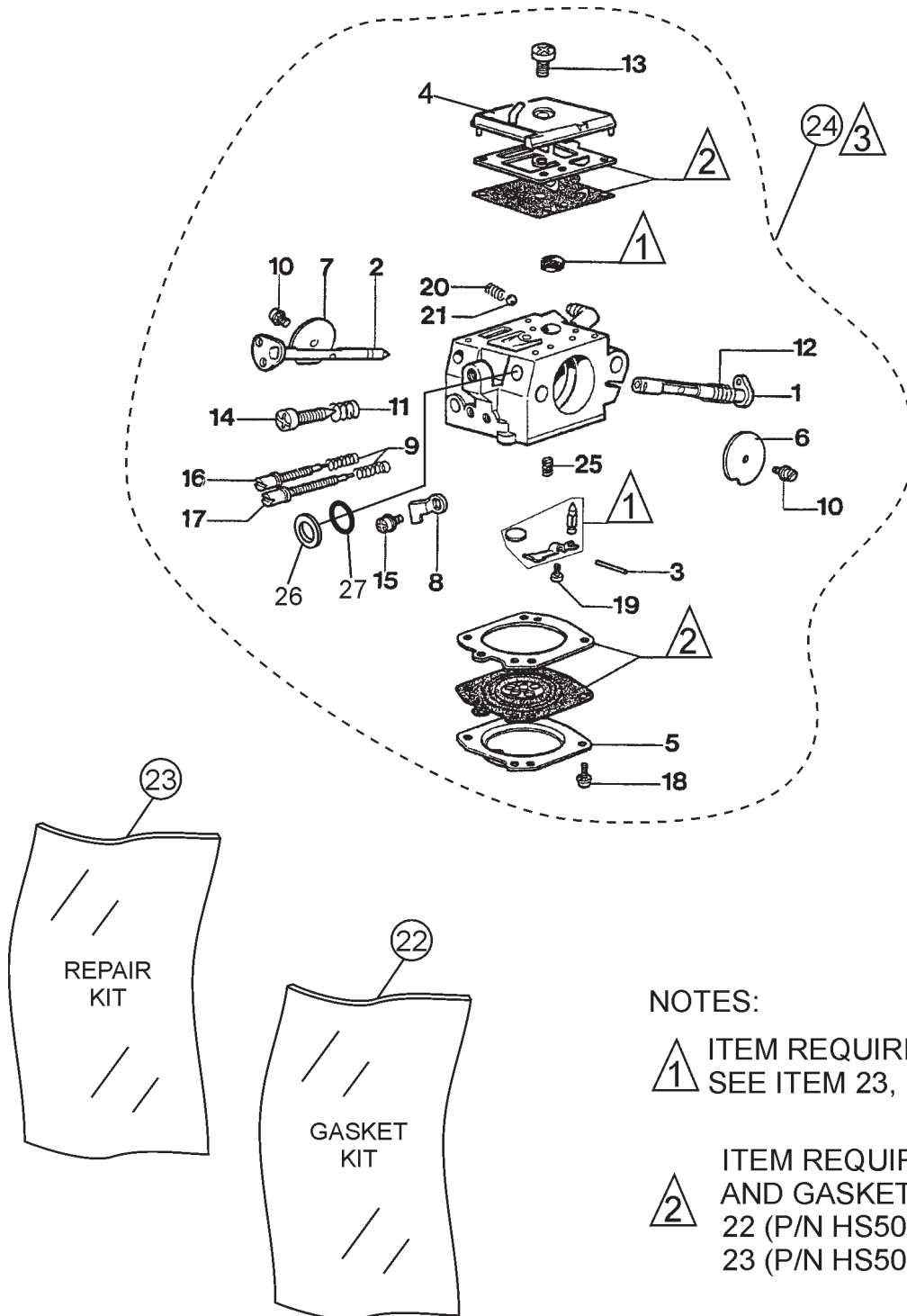
HS62 CUT-OFF SAW — CARBURETOR MOUNTING ASSY.

CARBURETOR MOUNTING ASSY.

<u>NO.</u>	<u>PART NO.</u>	<u>PART NAME</u>	<u>QTY.</u>	<u>REMARKS</u>
2	HS097000059	SPRING, MANIFOLD	1	
3	HS50010026	MANIFOLD, INNER	1	
32	HS52020060	SPRING	1	
38	HS005000363	SCREW	2	
64	HS50010093	FUEL LINE, CARBURETOR	1	
65	HS50010125	FLANGE, CARBURETOR SUPPORT	1	
66	HS52020039	SUPPORT, CARBURETOR	1	
67	HS52020057B	CARBURETOR ASSEMBLY	1	
68	HS094000215A	FUEL LINE, CARBURETOR	1	
69	HS3960057	SCREW	1	
71	HS50010028	SPACER, FLANGE	1	
72	HS52020008	MANIFOLD, OUTER	1	
78	HS097000092	SCREW	4	
79	HS3078012	WASHER	2	

HS62 CUT-OFF SAW — CARBURETOR ASSY.

CARBURETOR ASSY.



NOTES:

① ITEM REQUIRES REPAIR KIT, SEE ITEM 23, P/N HS50010123A

② ITEM REQUIRES REPAIR KIT, AND GASKET KIT, SEE ITEMS 22 (P/N HS500101122A) AND 23 (P/N HS500101123A)

③ COMPLETE CARBURETOR ASSY. ITEM 3, INCLUDES ITEMS WITHIN DASHED LINES.

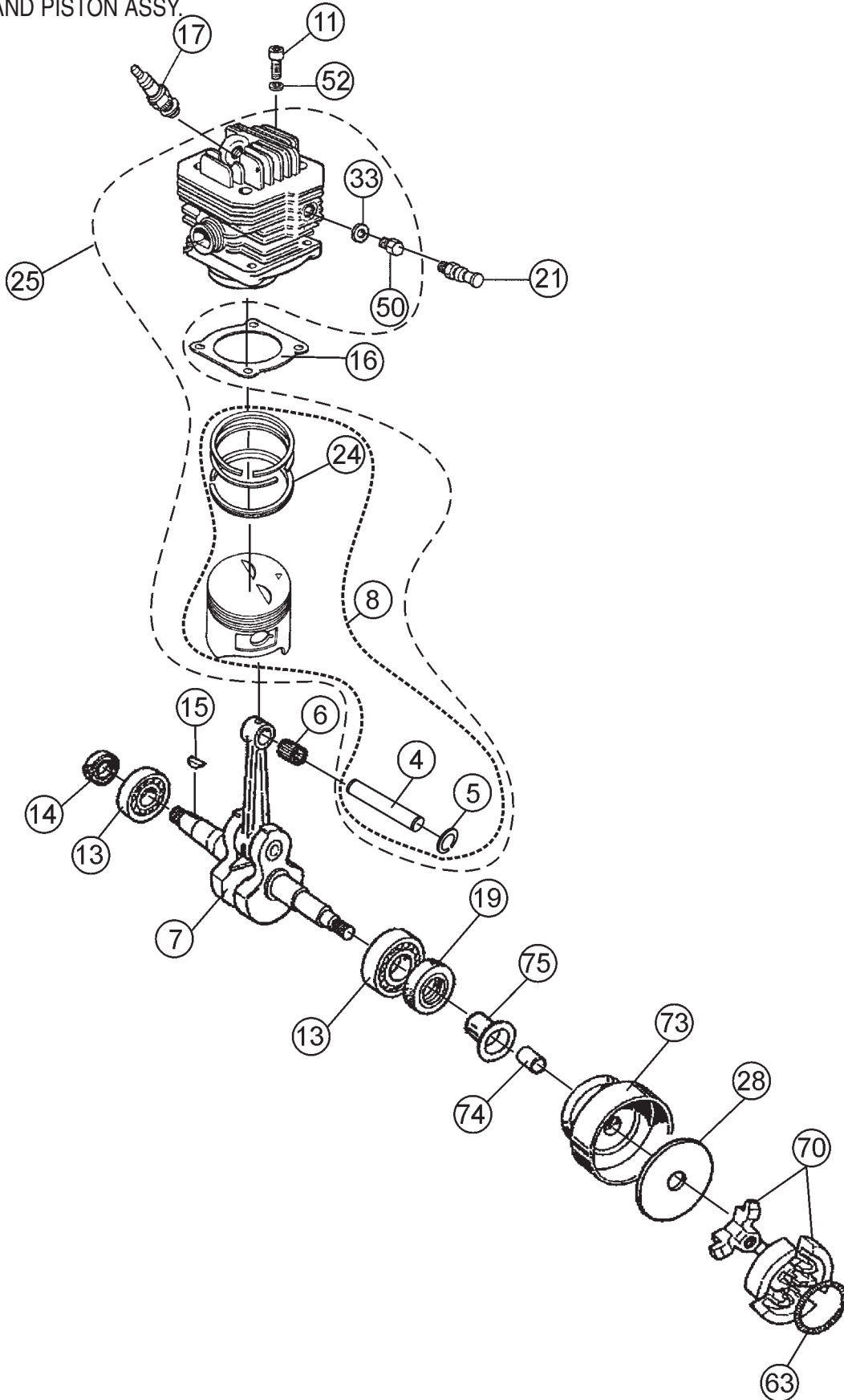
HS62 CUT-OFF SAW — CARBURETOR ASSY.

CARBURETOR ASSY.

<u>NO.</u>	<u>PART NO.</u>	<u>PART NAME</u>	<u>QTY.</u>	<u>REMARKS</u>
1*	HS52010095	THROTTLE SHAFT, CARBURETOR	1	
2*	HS50010096	STARTER SHAFT, CARBURETOR	1	
3*	HS003300201	PIN, FULCRUM	1	
4*	HS52020080	COVER, TOP	1	
5*	HS52020081	COVER, BOTTOM	1	
6*	HS50010099	THROTTLE VALVE	1	
7*	HS50010100	STARTER VALVE	1	
8*	HS50010101	LEVER, THROTTLE STOP	1	
9*	HS095000147	SPRING	1	
10*	HS380000038	SCREW	2	
11*	HS094600148	SPRING	2	
12*	HS50010106	SPRING	1	
13*	HS50010109	SCREW	1	
14*	HS074000240	SCREW	1	
15*	HS003300209	SCREW	1	
16*	HS52020054	SCREW "H" CARBURETOR	1	
17*	HS52020053	SCREW "L" CARBURETOR	1	
18*	HS035000162	SCREW	1	
19*	HS003300202	SCREW	1	
20*	HS095000146	SPRING	1	
21*	HS094600143	BALL, CARBURETOR	1	
22*	HS50010122A	KIT, GASKET CARBURETOR	1	
23*	HS50010123A	KIT, REPAIR CARBURETOR	1	
24	HS52020057B	CARBURETOR ASSY.	1	INCLUDES ITEMS W/*
25*	HS51010105	SPRING	1	
26	HS015400153	WASHER	1	
27	HS380000272	RUBBER SEAL	1	

HS62 CUT-OFF SAW — CRANKSHAFT / PISTON ASSY.

CRANKSHAFT AND PISTON ASSY.



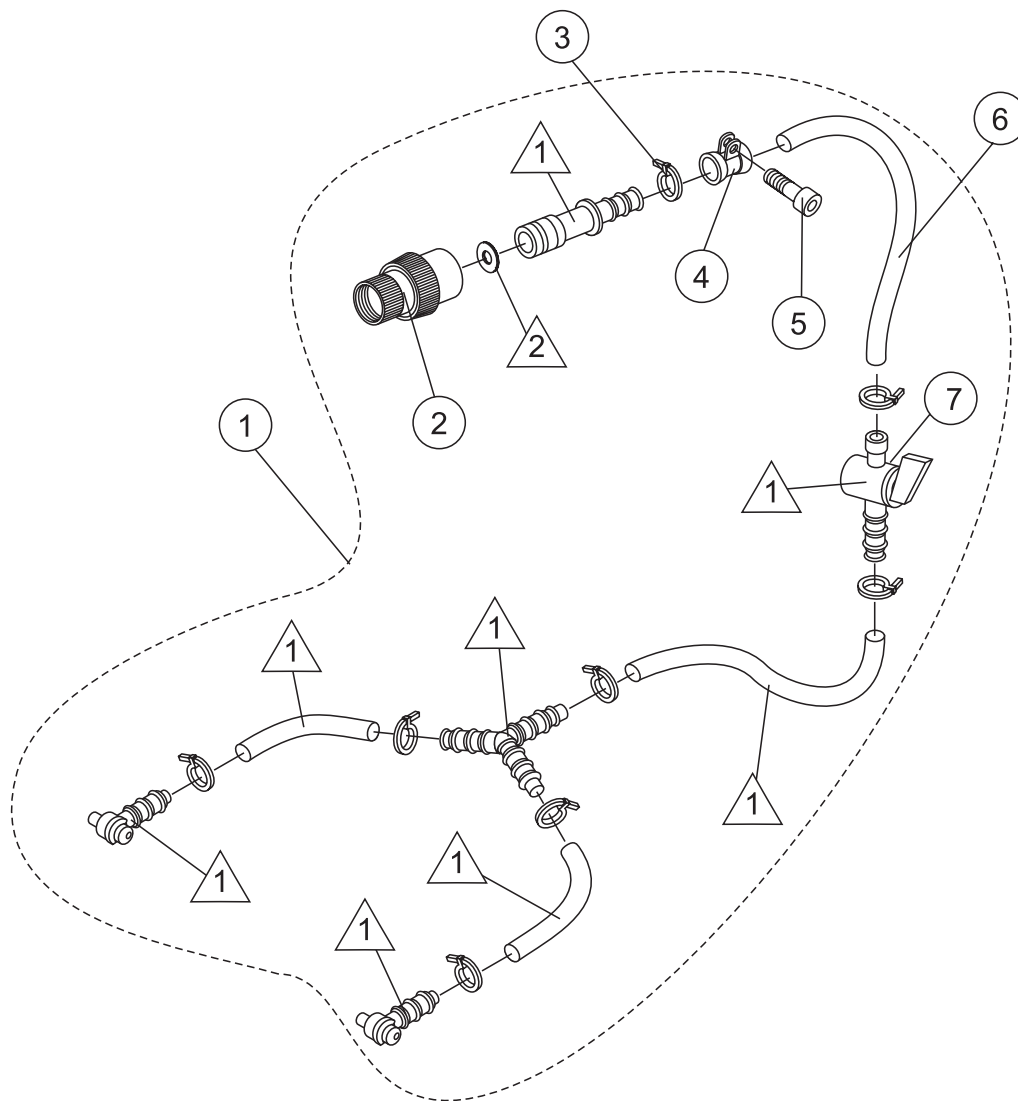
HS62 CUT-OFF SAW — CRANKSHAFT AND PISTON ASSY.

CRANKSHAFT AND PISTON ASSY.



<u>NO.</u>	<u>PART NO.</u>	<u>PART NAME</u>	<u>QTY.</u>	<u>REMARKS</u>
4*#	HS50010031	PISTON PIN	1	
5*#	HS007201198	RING, PISTON PIN	2	
6	HS3037014	BEARING, UPPER CRANKSHAFT	1	
7	HS50010115	CRANKSHAFT	1	
8*	HS50022005	PISTON ASSEMBLY W/RINGS	1	INCLUDES ITEMS W/#
11	HS005100906A	SCREW	4	
13	HS3034012	BEARING, CRANKSHAFT	2	
14	HS094500004	SEAL RING	1	
15	HS094500028	KEY, CRANKSHAFT	1	
16	HS50010046A	GASKET, CYLINDER	1	
17	HS5000019	SPARK PLUG	1	
19	HS007201313	SEAL RING, CRANKSHAFT	1	
21	HS52010067	DECOMPRESSOR	1	
24*#	HS50020004	PISTON RINGS	1	
25	HS50022052	CYLINDER ASSEMBLY W/PISTON	1	INCLUDES ITEMS W/*
28	HS375100012A	WASHER	1	
33*	HS3078012	WASHER	1	
50*	HS52010093	SCREW	1	REMOVE WHEN INSTALLING ITEM 21
52	HS3833076	WASHER	4	
63+	HS004900137B	SPRING, CLUTCH	1	
70	HS50012023A	CLUTCH ASSEMBLY	1	INCLUDES ITEMS W/+
73	HS52020029	CLUTCH DRUM	1	INCLUDES ITEMS W/\$
74\$	HS52020030	BUSHING, CLUTCH DRUM	1	
75	HS52020035	SPACER, CLUTCH DRUM	1	

HS62 CUT-OFF SAW — WATER KIT ASSY.

WATER KIT ASSY.



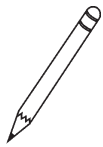
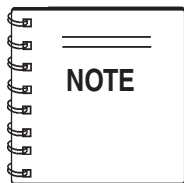
NOTES:

-  INCLUDED WITH WATER HOSE, ITEM 6
-  INCLUDED WITH SOCKET HEAD CAP SCREW, ITEM 5

HS62 CUT-OFF SAW — WATER KIT ASSY.

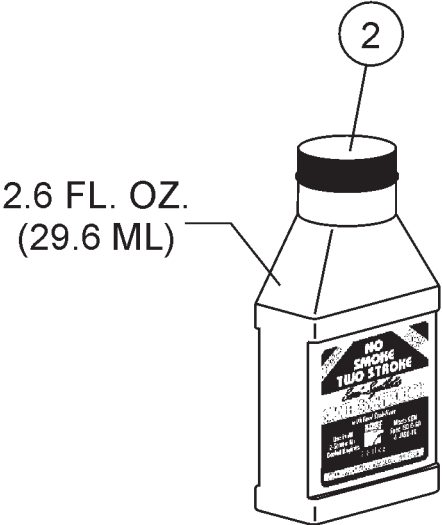
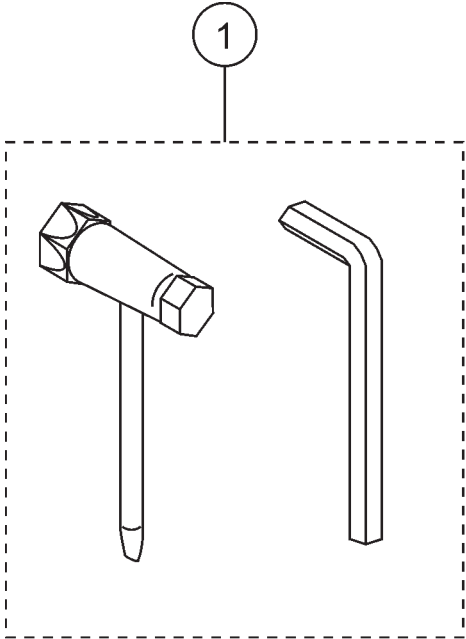
WATER KIT ASSY.

<u>NO.</u>	<u>PART NO.</u>	<u>PART NAME</u>	<u>QTY.</u>	<u>REMARKS</u>
1	HS52012062	WATER KIT ASSY.	1	INCLUDES ITEMS W /*
2*	HS52010121	FITTING, QUICK DISCONNECT	1	
3*		PLASTIC TIE WRAPS	8	
4*		HOSE CLAMP	1	
5*		SCREW, SOCKET HEAD CAP W/WASHER	1	
6*		HOSE, WATER	1	
7*	HS52010207	VALVE, SHUT-OFF	1	



Items 3-6 are included with the Water Kit Assembly and cannot be purchased separately.

TOOLS



CANNOT BE PURCHASED SEPARATELY, MUST ORDER A CASE OF 36.

HS62 CUT-OFF SAW — TOOLS

TOOLS

<u>NO.</u>	<u>PART NO.</u>	<u>PART NAME</u>	<u>QTY.</u>	<u>REMARKS</u>
1	HS4191240	TOOL KIT	1	
2	00325	SMOKELESS 2-STROKE OIL.....	1	CAN ONLY BE PURCHASED AS A CASE (QTY 36)

HS62 CUT-OFF SAW — RECOMMENDED DIAMOND BLADES

Recommended Diamond Blades For your *Side Winder* Saw



12" x .125" x 1" - 20mm Arbor

<u>Material to Cut</u>	Economy	Standard	Premium	Supreme
Cured Concrete	12GPS	12SBL	12PDHS1	12PDHS2
Asphalt Green Concrete	12GPS	12SBLA	12PDHS1A	12PDHS2A
Hard Brick & Masonry	12GPS	12SBL	12PDHS1H	12PDHS2H
Brick and Block	12GPS	12SBL	12PDHS1	12PDHS2
Abrasive Block	12GPS	12SBLA	12PDHS1A	12PDHS2A

14" x .125" x 1" - 20mm Arbor

<u>Material to Cut</u>	Economy	Standard	Premium	Supreme
Cured Concrete	14GPS	14SBL	14PDHS1	14PDHS2
Asphalt Green Concrete	14GPS	14SBLA	14PDHS1A	14PDHS2A
Hard Brick & Masonry	14GPS	14SBL	14PDHS1H	14PDHS2H
Brick and Block	14GPS	14SBL	14PDHS1	14PDHS2
Abrasive Block	14GPS	14SBLA	14PDHS1A	14PDHS2A