

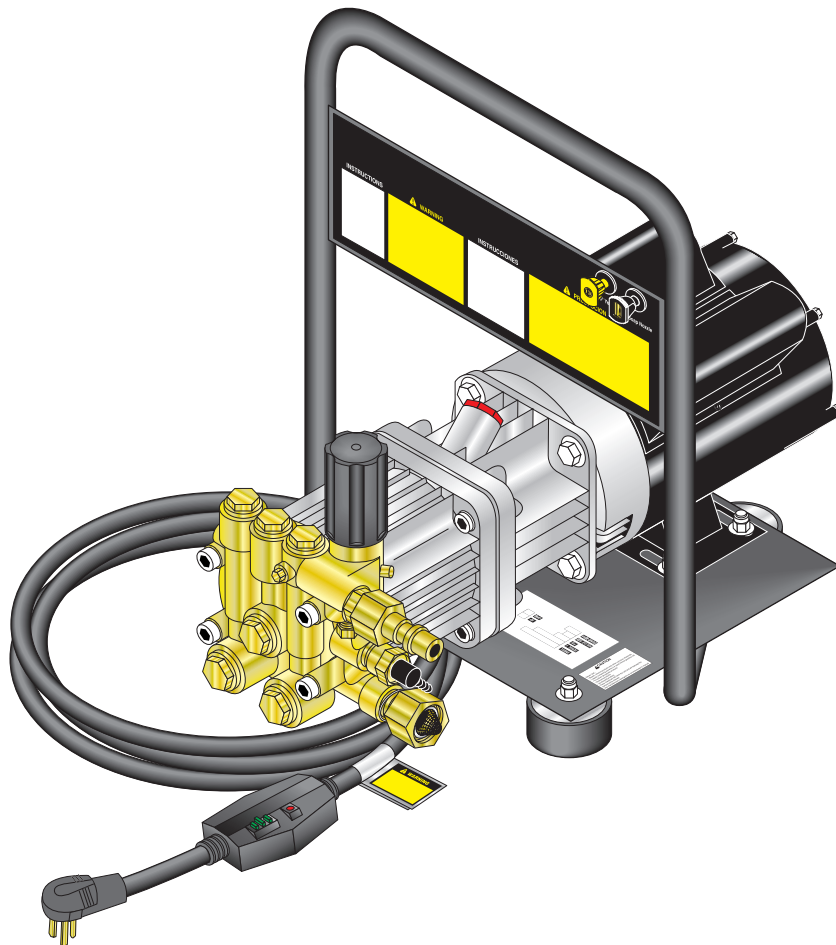


MODEL: HE

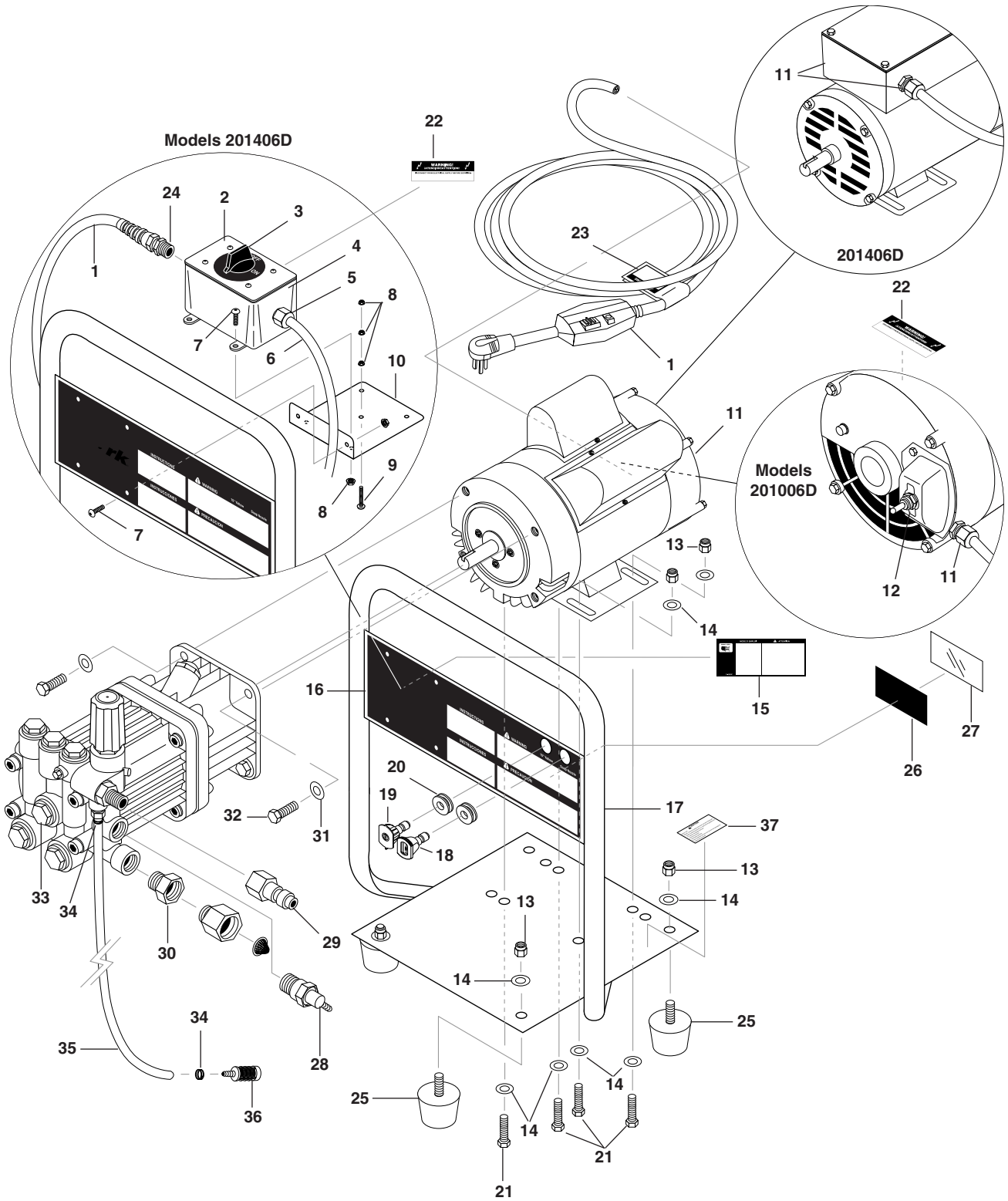
OPERATING INSTRUCTION AND PARTS MANUAL

■ HE-2010

■ HE-2014



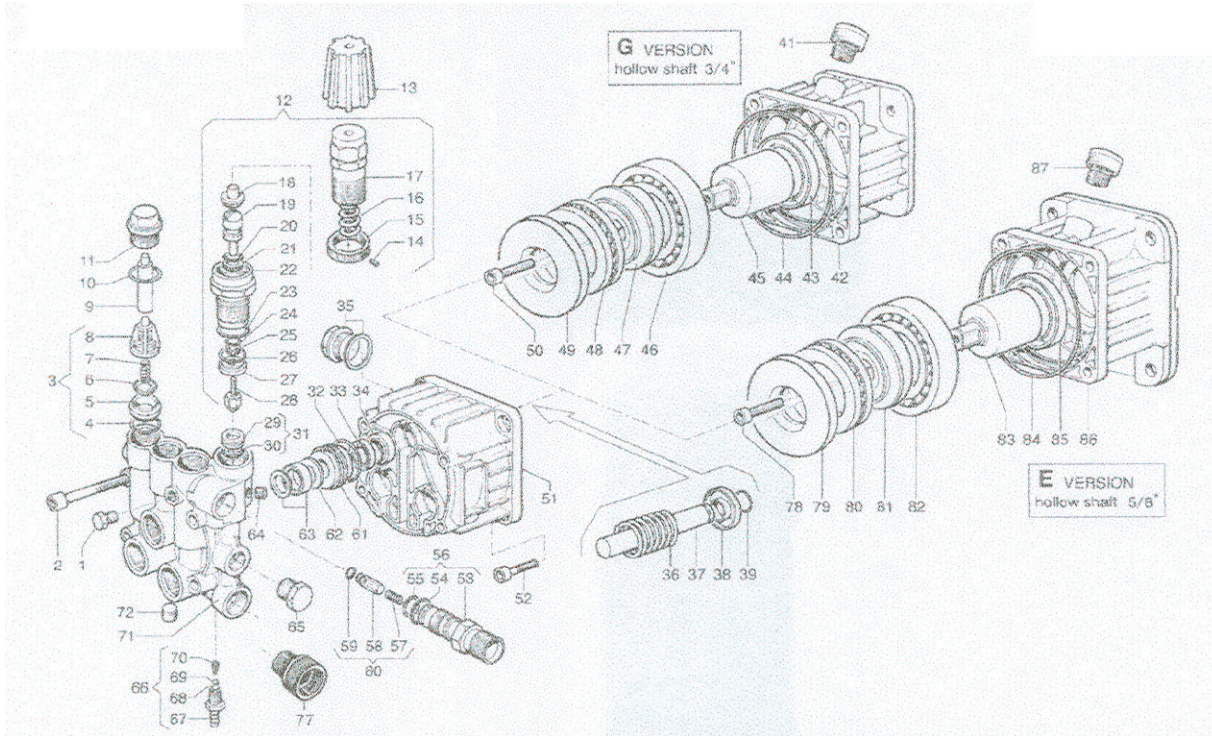
EXPLODED VIEW



EXPLODED VIEW PARTS LIST

ITEM	PART #	DESCRIPTION	QTY	ITEM	PART #	DESCRIPTION	QTY
1	6-01062	GFCI, 120V, 15 Amp w/36' 12-3 Cord (201006D)	1	20	2-0103	Grommet, Rubber, Nozzle Holder	2
	6-01060	GFCI, 120V 20 Amp w/36' 12-3 Cord (201406D)	1	21	90-1006	Bolt, 5/16" x 3/4" NC	4
2	6-03911	Lid, Plastic Carlon (201406D)	1	22	10-08021	Label, Disconnect Power	1
3	6-020204	Switch, 2 Pos. 120V-600V (201406D)	1	23	10-08018	Label, Warning, Service Cord	1
4	6-03910	Box, Plastic Carlon (201406D)	1	24	6-05154	Strain Relief 90° (201406D)	1
	11-1042	▲ Label, Ground	1		6-05181	▲ Locknut, 1/2" Conduit (201406D)	1
5	6-051595	Strain Relief, STRT, LQ Tite Large (201406D)	1	25	2-01023	Mount, Vibration, 5/16"-18 x 9/16" Stud, 30 Duro	4
	6-05172	▲ Locknut, 3/4"	1	26	10-08016	Label, Intended For Indoor Use	1
6	6-0104	Cord, Service, SOWA, 12/3 (201406D)	2 ft.	27	10-9999	Label, Clear Lexan, 2-1/4" x 4-1/2"	1
7	90-1991	Screw, 10/32" x 1/2" BHSOC (201406D)	6	28	2-300816	Pump Protector, 3/8" PTP	1
8	90-017	Nut, 10/32" Keps (201406D)	9	29	2-2006	Nipple, 3/8" x 3/8" NPT ST Female	1
9	90-100030	Screw, 10-32" x 3/4" RH, SL, BLK (201406D)	1	30	2-1100	Adapter, 1/2" x 1/2" Pipe	1
10	95-07111118	Switch Box BRKT (201406D)	1	31	90-4002	Washer, 3/8" Flat SAE	4
11	5-1046	Motor, 1.5 HP, 1 PH, 3450 RPM, C-Face (201006D)	1	32	90-1016	Bolt, 3/8" x 1", NC	4
	6-05152	Strain Relief, STRT, LQ TITE (201006D)	1	33	5-2107	Pump, Comet AXD2020E	1
	6-05181A	▲ Locknut, 1/2" (201006D)	1	34	2-9040	Clamp, Hose UNI .46 - .54	2
	5-1047	Motor, 2 HP, 1 PH, 3450 RPM, (201406D)	1	35	4-02080000	Hose, 1/4" x 1/2" Clear Vinyl	6 ft.
	6-051595	Strain Relief, 3/4", Strt. LQ Tite (201406D)	1	36	2-1904	Strainer, 1/4" Barb	1
	6-05181B	▲ Lock Nut, 3/4" (201406D)	1	37	9.800-049.0	Label, Manufacturer's Cleaning Solution	1
12	6-02049	Switch, Toggle, Assy (201006D)	1	38	10-080281	▲ Tag, Pump Plug/Vented Cap	1
13	90-2001	Nut, 5/16" ESNA, NC	8				
14	90-4001	Washer, 5/16" Flat SAE	12				
15	11-0350F	Label, French Warning	1				
16	11-0311	Label, Instr. (HE Models)	1				
17	95-07200126	Handle Assy, Red (HE)	1				
18	4-16540	Nozzle, Compl. QCCEM-6540 w/Blk Nylon (Soap Nozzle)	1				
19	4-12804015	Nozzle, SAQCMEG 1504 Yellow (201006D)	1				
	4-12803015	Nozzle, SAQCMEG 1503 Yellow (201406D)	1				

AXD PUMP EXPLODED VIEW



AXD PUMP EXPLODED VIEW PARTS LIST

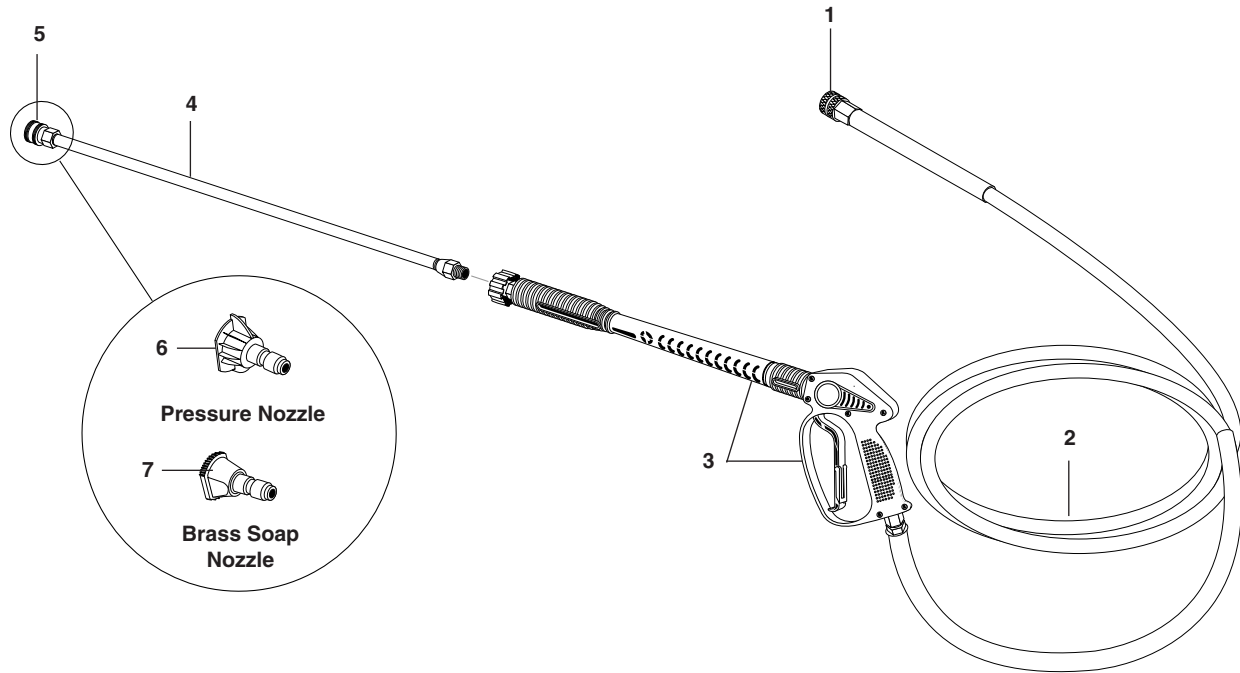
ITEM	PART #	DESCRIPTION	KIT	QTY	ITEM	PART #	DESCRIPTION	KIT	QTY
1	89-3202.0018.00	Cap, 1/8"		1	23	89-1210-0407.00	O-Ring	E-F	1
2	89-3609.0156.00	Screw M8x55		4	24	89-1210.0405.00	O-Ring	E-F	1
3	89-1220.0045.00	Valve Kit		6	25	89-0009.0205.00	Ring	E-F	1
4	89-1210.0049.00	O-Ring, 1.78 x 12.42 A-D		6	26	89-1210.0404.00	O-Ring	E-F	1
5	89-3009.0129.00	Valve Seat	A	6	27	89-0009.0204.00	Ring	E-F	1
6	89-3604.0028.00	SUC/DEL Valve	A	6	28	89-3002-0508.00	Housing with Ball	E-F	1
7	89-1802.0192.00	Spring	A	6	29	89-3009.0122.00	Seat	E-F	1
8	89-1206.0033.00	Valve Cage	A	6	30	89-1210.0403.00	O-Ring	E-F	1
9	89-0601.0273.00	Spacer		2	31	89-3009.0013.00	Valve Seat		1
10	89-1210.0151.00	O-Ring, 1.78 x 17.77 A-D		6	32	89-1210-0356.00	O-Ring, 1.78 x 25.12 B-D		3
11	89-3202.0236.00	Plug		6	33	89-1241.0050.00	Piston Seal Ø14	B	3
12	89-1215-0271.00	Reg Val Kit for AX 180 Bar		1	34	89-0019.0103.00	Sealing Ring	D	3
13	89-1817.0053.00	Knob		1	35	89-3201.0018.00	Oil Level Plug		1
14	89-3622.0030.00	Stop, Adjustable Nut, M4x4	E	1	36	89-1802-0153.00	Spring		3
15	89-1227.0022.00	Nut	E	1	37	89-2409.0089.00	Piston	C	3
16	89-1802-0182.00	Spring,	E	1	38	89-0009.0221.00	Ring	C	3
17	89-0204.0046.00	Adjustable Knob	E	1	39	89-0009.0220.00	Ring Ø14	C	3
18	89-0009.0207.00	Seat	E	1	51	89-0403.0135.00	Pump Crankcase		1
19	89-2409.0077.00	Piston Rod	E-F	1	52	89-3609.0005.00	Screw M8x20		4
20	89-1210.0406.00	O-Ring	E-F	1	53	89-3410.0295.00	Injector Body M22 x 1.5	E	1
21	89-0009.0206.00	Ring	E-F	1		89-3410.0298.00	Injector Body, 3/8 NPT	E	1
22	89-0204-0045.00	Housing	E	1	54	89-1210.0049.00	O-Ring 1.78 x 12.42 D-E-F		1
					55	89-1210.0040.00	O-Ring, 1.78 x 15.6	E-F	1

AXD PUMP EXPLODED VIEW PARTS LIST

ITEM	PART NO.	DESCRIPTION	KIT	QTY
56	89-3410.0302.00	Injector Body Kit M22x 1.5		1
	89-3410.0303.00	Injector Body Kit 3/8 NPT		1
57	89-1802.0197.00	Spring	E	1
58	89-2409.0086.00	Check Valve	E	1
59	89-1210.0397.00	O-Ring	E-F	1
60	89-2409.0091.00	Check Valve Kit		1
61	89-0009.0219.00	Ring		3
62	89-0009.0230.00	Ring	B	3
63	89-1241.0055.00	Piston Seal 150 Bar (2520G, 3020G, 3522G)	B	3
	89-1241.0056.00	Piston Seal 180 Bar (3025G)	B	3
64	89-3200.0017.00	Plug 1/8 x 8		1
65	89-3200.0007.00	Plug 3/8 Gas OT58		1
66	89-2803.0435.00	Injector Kit		1
67	89-2003.0425.00	Hose Barb Fitting		1
68	89-2812.0067.00	O-Ring		1
69	89-3003.0026.00	Ball		1
70	89-1802.0180.00	Spring		1
71	89-3218.0299.00	Pump Valve Chamber		1
72	89-3200.0017.00	Plug 1/8 x 8		1
77	89-2800.0081.00	Garden Hose Tail		1

KIT A	89-5025.0014.00	
	Complete Valve Kit	
KIT B	89-5019.0077.00	89-5019.0078.00
	Piston Seal Kit, 150 Bar	Piston Seal Kit, 180 Bar
KIT C	89-2409.0092.00	
	Piston Kit	
KIT D	89-5019.0079.00	
	Seal Kit	
KIT E	89-5026.0142.00	89-5026.0143.00
	Overhaul Kit, M22 x 1.5	Overhaul Kit, 3/8" NPT
KIT F	89-5026.0144.00	
	Maintenance Kit	

HOSE & SPRAY GUN ASSEMBLY



HOSE & SPRAY GUN ASSEMBLY PARTS LIST

ITEM	PART NO.	DESCRIPTION	QTY	ITEM	PART NO.	DESCRIPTION	QTY
1	2-2002	Coupler, 3/8" Female	1	5	2-2000	Coupler, 1/4" Female	1
	2-0121	▲ Quick Coupler O-Ring	1		2-0119	Quick Coupler O-Ring	1
2	4-02093450BC	Hose, 3/8" x 50' 1 Wire, Blue	1	6	4-12803015	Nozzle, 3.0 15° Yellow (201406D)	1
3	4-011137	Spray Gun, Shut-Off	1		4-12804015	Nozzle, 4.0 15° Yellow (201006D)	1
4	4-011106	Wand, Straight	1	7	4-16540	Nozzle, Brass Soap Black	1

▲ Not Shown