



CARE AND OPERATION INSTRUCTIONS

DIRECT VENT SSDV-3328 SERIES

DIRECT-VENT GAS FIREPLACE HEATERS

P/N 725,045M REV. N/C 09/2007

MODELS

Millivolt Models

Electronic Models

SSDVT-3328CNM

SSDVT-3328CNE

SSDVR-3328CNM

SSDVR-3328CNE

⚠ WARNINGS



- **Hot! Do not touch!** The glass and surfaces of this appliance will be hot during operation and will retain heat for a while after shutting off the appliance. Severe burns may result.
- Carefully supervise children in the same room as appliance.
- If small children are present in the home, it is recommended that this appliance be fitted with a screen door or screen panel kit. See *Page 14* for ordering information.

WARNING: IF THE INFORMATION IN THIS MANUAL IS NOT FOLLOWED EXACTLY, A FIRE OR EXPLOSION MAY RESULT CAUSING PROPERTY DAMAGE, PERSONAL INJURY OR LOSS OF LIFE.

FOR YOUR SAFETY: Do not store or use gasoline or other flammables or liquids in the vicinity of this or any other appliance.

FOR YOUR SAFETY: What to do if you smell gas:

- **DO NOT** light any appliance.
- **DO NOT** touch any electrical switches.
- Do not use any phone in your building.
- Immediately call your gas supplier from a neighbor's phone. Follow your gas suppliers instructions.
- If your gas supplier cannot be reached, call the fire department.

Installation and service must be performed by a qualified installer, service agency or the gas supplier.

Tested &
Listed By



Beaverton
Oregon USA

OTL Report No. 116-F-29-5

OMNI-Test Laboratories, Inc.

A French manual is available upon request. Order P/N 725,045CF

Ce manuel d'installation est disponible en français, simplement en faire la demande. Numéro de la pièce 725,045CF

INSTALLER: Leave this manual with the appliance.
CONSUMER: Retain this manual for future reference.

AVERTISSEMENT: ASSUREZ-VOUS DE BIEN SUIVRE LES INSTRUCTIONS DONNÉ DANS CETTE NOTICE POUR RÉDUIRE AU MINIMUM LE RISQUE D'INCENDIE OU POUR ÉVITER TOUT DOMMAGE MATÉRIEL, TOUTE BLESSURE OU LA MORT.

POUR VOTRE SÉCURITÉ: Ne pas entreposer ni utiliser d'essence ni d'autre vapeurs ou liquides inflammables dans le voisinage de cet appareil ou de tout autre appareil.

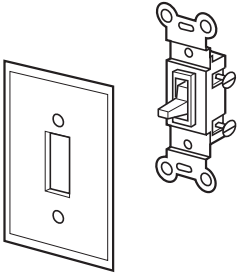
POUR VOTRE SÉCURITÉ: Que faire si vous sentez une odeur de gaz:

- Ne pas tenter d'allumer d'appareil.
- Ne touchez à aucun interrupteur. Ne pas vous servir des téléphones se trouvant dans le bâtiment où vous vous trouvez.
- Evacuez la pièce, le bâtiment ou la zone.
- Appelez immédiatement votre fournisseur de gaz depuis un voisin. Suivez les instructions du fournisseur.
- Si vous ne pouvez rejoindre le fournisseur de gaz, appelez le service des incendies.

L'installation et service doit être exécuté par un qualifié installateur, agence de service ou le fournisseur de gaz.

ACCESSORY COMPONENTS

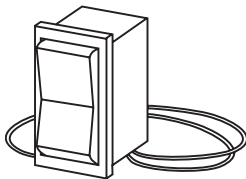
Product Reference Information			
Cat. No.	Model	Ship. Wt. (lbs)	Ship. Vol. (inches)
H6898	SSDVT-3328CNM	115 lbs	37W x 17D x 36H (13.1 cu.ft.)
H6899	SSDVT-3328CNE	115 lbs	37W x 17D x 36H (13.1 cu.ft.)
H6896	SSDVR-3328CNM	115 lbs	37W x 17D x 36H (13.1 cu.ft.)
H6897	SSDVR-3328CNE	115 lbs	37W x 17D x 36H (13.1 cu.ft.)



White Wall Switch Kit		
Cat. No.	Model No.	Description
85L87	FWSK	OFF/ON Wall Switch Kit

OFF/ON Wall Switch Kit

The OFF/ON wall switch kit may be used to control the operation of the fireplace burner. Install the OFF/ON wall switch in a convenient location near the fireplace.



Rocker Switch Kit		
Cat. No.	Model No.	Description
80L41	FRS	Rocker Switch Kit

Unit-Mountable Rocker Switch

This rocker switch kit can be installed directly in the gas valve mounting bracket (millivolt gas valve equipped fireplaces) to provide On/Off operation in lieu of a wall switch.



Remote Control Kit, Standard		
Cat. No.	Model No.	Description
H0249	RCL	Remote Control System (Standard)

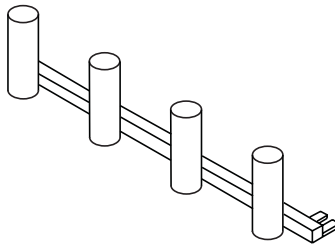
Standard Remote Control System

The Model RCL (Standard) Remote Control System, features a simplistic OFF/ON control function for the fireplace. This model includes a hand-held transmitter, a remote receiver with wall-mount cover plate and all hardware required to install the unit. The remote receiver can be wall or hearth mounted.

The transmitter has ON and OFF functions that are activated by pressing either button on the face of the transmitter. When a button on the transmitter is pressed, a signal light illuminates briefly to verify that a signal has been sent.

The Model RCL is designed to operate with all millivolt ignition systems, as well as electronic ignition systems. It may be installed with use for either natural gas or propane gas appliances. The RCL offers ease of installation and allows you to execute on-off commands to the fireplace effortlessly with one simple motion.

The Model RCL comes complete with detailed operating instructions.



Square Log Rack		
Cat. No.	Model No.	Description
99L59	DLR-4	Decorative Log Rack

Decorative Log Rack

The decorative log rack provides the look of a wrought iron log rack. The rack installs easily in front of the log set with two screws.

Note: Some discoloration of the grate can be expected with fireplace operation.



Remote Control Kit, Deluxe		
Cat. No.	Model No.	Description
H0251	RCL-STAT	Remote Control System (Deluxe)

Deluxe Remote Control System

The Model RCL-T (Deluxe) Remote Control System has all of the features of the standard system along with an added easy to read LCD screen which presents access to many enhancements, including; battery power level indicator, timer, mode of operation, thermostatic display including room temperature in either metric or English units, flame indicator and clock. Fully programmable, the Model RCL-T allows for virtual command over nearly all operational and temperature variables, using the hand held remote control transmitter.

The Model RCL-T (Deluxe) remote control system is installed in the same manner as the standard system, may be operated with electronic and millivolt systems with either natural gas or propane gas. The RCL-T comes complete with detailed operating instructions.

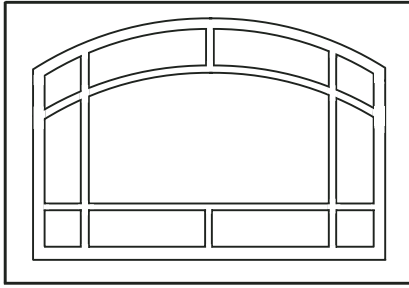


Wall Thermostat, Millivolt		
Cat. No.	Model No.	Description
H4635	DWTK	Digital Wall Thermostat Kit

Digital Wall Thermostat

The digital wall thermostat kit provides temperature control for optimum comfort.

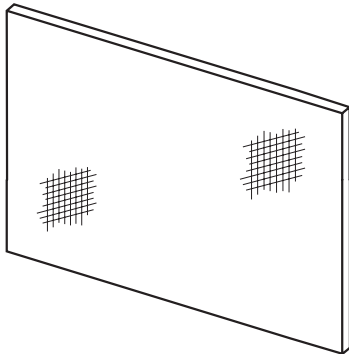
ACCESSORY COMPONENTS



Decorative Arch Screen Panel Kits		
Cat. No.	Model No.	Models Where Used
H3592	DASPK33TI	SSDV-3328

Decorative Arch Screen Panel Kit

This easy to install optional screen installs over the standard glass enclosure panel to provide protection from direct contact with the hot glass surface. These screen panels cannot be used in conjunction with the arch door kits or door frame kits.

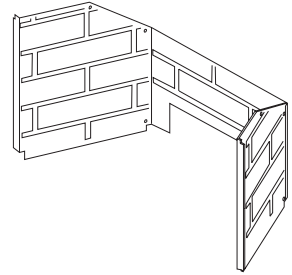


Screen Panel Kits		
Cat. No.	Model No.	Models Where Used
99L55	SPK4	SSDV-3328

Screen Panel Kit

This easy to install optional screen installs over the standard glass enclosure panel to prevent direct contact with the hot glass surface. These screen panels cannot be used in conjunction with the arch door kits or door frame kits.

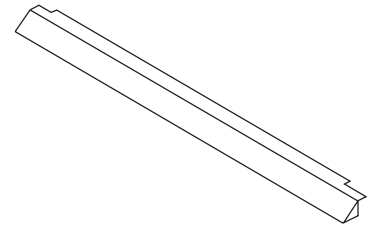
Interior Brick Liner Kits				
Rear Vent		Top Vent		Models Where Used
Cat. #	Model	Cat. #	Model	
99L54	BLK-4R	99L53	BLK-4T	SSDV-3328



Interior Brick Liner Kits

The brickade liner kits include tan stamped sheetmetal panels for the rear and side walls of the firebox. The panels have brick-like features in relief. These kits can be retrofitted into previously installed appliances.

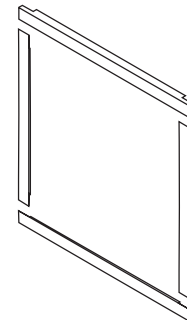
Eyebrow Hood Kits				
Polished Brass		Brushed Stainless		Models Where Used
Cat. #	Model	Cat. #	Model	
99L64	HK-4B	99L65	HK-4BS	SSDV-3328
These hood kits replace the standard hood that comes with these fireplaces.				



Polished Brass & Brushed Stainless Hood Kits

Attractive hoods are available in two styles. These hoods are designed to be fitted to the glass viewing sides of the appliance. In addition to providing an aesthetically pleasing appearance to your appliance installation, the hood reduces heat effects to decorative mantles and finish materials located above the fireplace opening. The hood kit replaces the standard hood that comes with these appliances and snaps into place. These kits can be retrofitted to previously installed appliances.

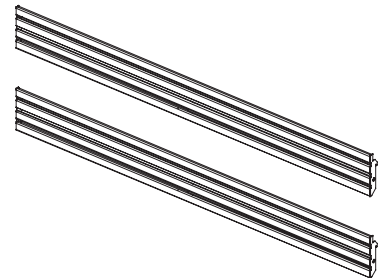
4 Piece Door Trim Kits				
Polished Brass		Brushed Stainless		Models Where Used
Cat. #	Model	Cat. #	Model	
99L62	DFK-4B	99L63	DFK-4BS	SSDV-3328



Door Frame Kits

A decorative door frame kit is available for use with these appliances. It is designed to attach directly to the front face of the appliance at the four edges of the glass enclosure panel resulting in the appearance of a picture frame.

* Assembled 8-Piece Louver Kits				
Polished Brass		Brushed Stainless		Models Where Used
Cat. #	Model	Cat. #	Model	
H1522	LK-400B	H1523	LK-400BS	SSDV-3328



* Superior Nameplate Logo, 56L93, is not included.

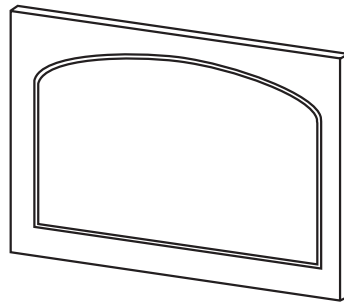
Polished Brass & Brushed Stainless Louvers Kits

These kits include a top 4-louver assembly and a bottom 4-louver assembly. They provide a touch of elegance. These kits can be retrofitted to previously installed appliances.

ACCESSORY COMPONENTS

Arch Door Kit - Polished Brass		
Cat. No.	Model	Fireplace Model
99L56	ADK-4B	SSDV-3328

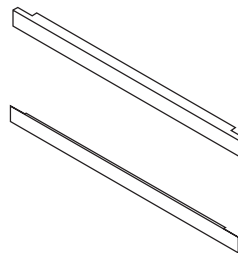
Arch Door Kit - Brushed Stainless Steel		
Cat. No.	Model	Fireplace Model
99L57	ADK-4BS	SSDV-3328



Arch Door Kits

The arch door kits are easy to install and do not require hardware to attach them to the standard door frame. The decorative arch kits can not be used in conjunction with the screen panel kit.

2- Piece Door Frame Kits				
Polished Brass		Brushed Stainless		Models Where Used
Cat. #	Model	Cat. #	Model	
17M28	DTK-4B	17M29	DTK-BS	SSDV-3328



2-Piece Door Trim Kits

These kits are designed to attach directly to the front face of the fireplace at the top and bottom edges of the glass enclosure panel.

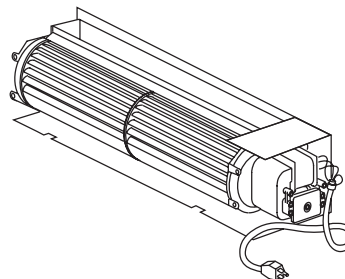
Touch-Up Paint Kits (all models)		
Cat. No.	Model No.	Description
90L73	FTPK-B	Touch-Up Paint (Black)



Touch-Up Paint Kit

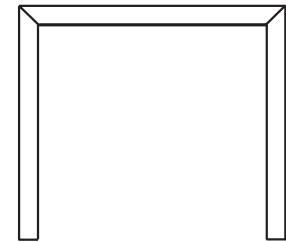
Repair of minor scratches and discoloration of the appliance charcoal painted surfaces may be accomplished with the touch-up paint kit.

Forced Air Blower Kits		
Cat. No.	Model No.	Description
80L84	FBK-100	Blower, Standard (single speed)
80L85	FBK-200	Blower, Variable Speed (w/wall-mounted switch)
80L86	FBK-250	Blower, Variable Speed (w/unit-mounted switch)



Forced Air Kit

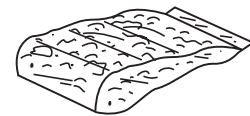
The FBK-100 blower provides constant velocity forced air circulation. The FBK-200 assembly with variable speed, wall-mountable switch provides variable speed forced air circulation. The FBK-250 assembly with variable speed unit-mountable switch, also provides variable speed forced air circulation.



3 Piece Trim Kit		
Cat. No.	Model No.	Description
H0453	TK33PB3	33" Polished Brass, 3328
H1813	TK33BS3	33" Brushed Stainless, 3328
H4820	TK33C3	33" Charcoal, 3328

Door Frame Kits

A decorative door frame kit is available for use with these appliances. It is designed to attach directly to the front face of the appliance at the top and side edges of the glass enclosure panel.



Decorative Firebox Accessories (all models)		
Cat. No.	Model No.	Description
88L53	FGE	Bag of Glowing Embers (1 oz. rockwool)
80L42	FDVS	Bag of Decorative Volcanic Stone

Bag of Glowing Embers

Bag of Volcanic Stone

Replacement ember materials or volcanic stone are available for use with these appliances. Order kits as part of the periodic maintenance of the appliance.

REPLACEMENT PARTS LIST

No.	DESCRIPTION	Natural		Propane	
		Part No.	Qty.	Part No.	Qty.
	Gas Fireplace Assembly	–	–	–	–
1.	Hood	H3633	1	H3633	1
2.	Louver, (Upper)	H3635	1	H3635	1
3.	Louver, (Lower)	H3637	1	H3637	1
4.	Enclosure, Glass Front (Complete)	H3649	1	H3649	1
5.	Nameplate (Brand)	56L93	1	56L93	1
6.	Latch	69L21	2	69L21	2
7.	Catch, Door, Magnetic	69L31	1	69L31	1
8.	Log Set (Complete)	67L39	1	67L39	1
9.	Burner Assembly	74L82	1	74L82	1
10.	Burner, Bracket	H4892	2	H4892	2
11.	Burner, Bracket	H4890	1	H4890	1
12.	Ember Screen	H6908	1	H6908	1
13.	Orifice, Main Burner	37L66	1	99K78	1
14.	Bag of Rockwool	88L53	1	88L53	1
15.	Flex Gas Line (Optional)	93L32	1	93L32	1

GAS CONTROLS — SIT MILLIVOLT

No.	DESCRIPTION	Natural		Propane	
		Part No.	Qty.	Part No.	Qty.
20.	Gas Valve - SIT	43K07	1	88J53	1
21.	Piezo Igniter	10K86	1	10K86	1
22.	Pilot Assembly	69L17	1	69L18	1
23.	Pilot Generator	60J79	1	60J79	1
24.	Thermocouple	74L57	1	74L57	1
25.	Pilot Tube	74L56	1	74L56	1
26.	Electrode And Cable	74L58	1	74L58	1
27.	Pilot Shield	H3737	1	H3737	1

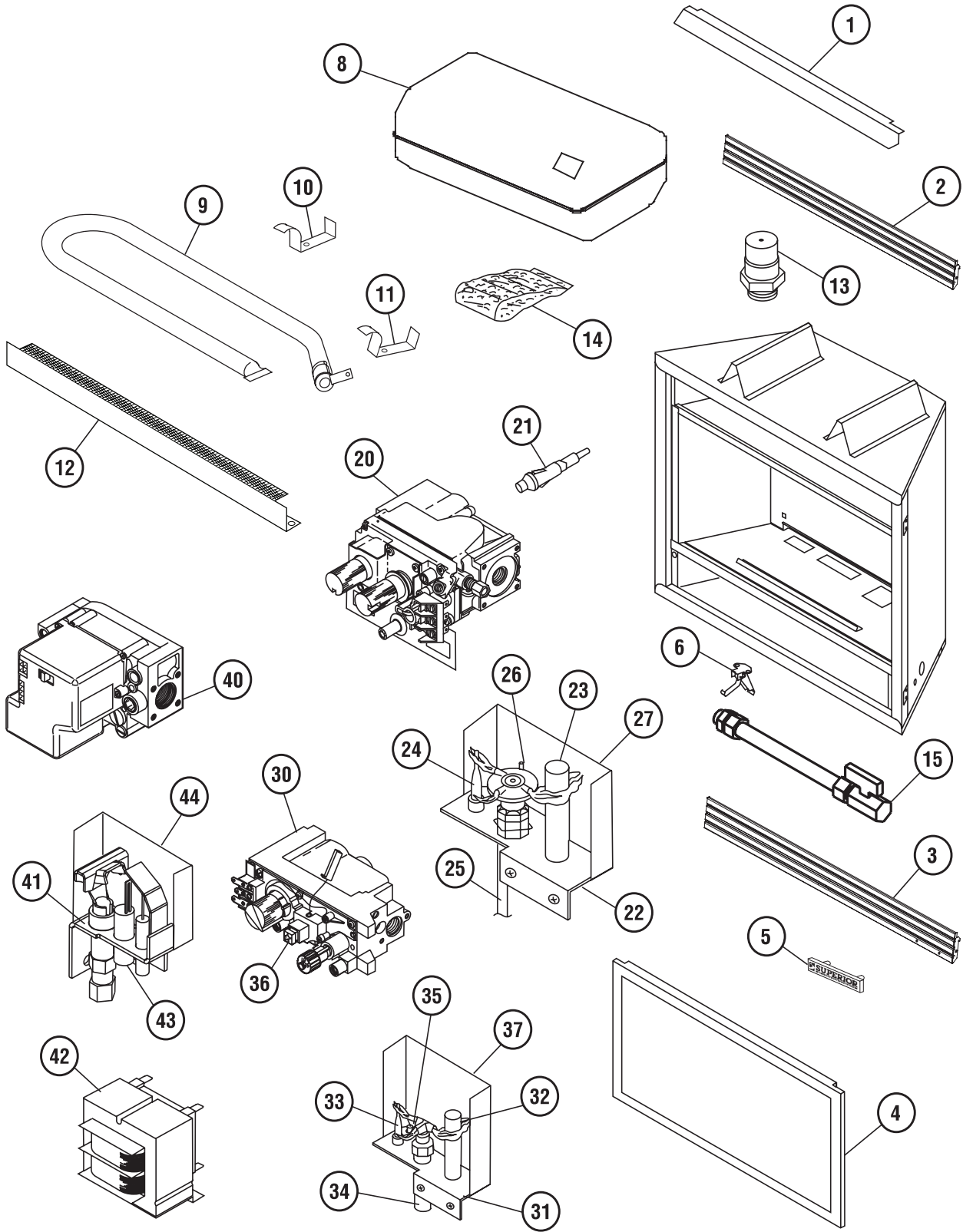
GAS CONTROLS — HONEYWELL MILLIVOLT

No.	DESCRIPTION	Natural		Propane	
		Part No.	Qty.	Part No.	Qty.
30.	Gas Valve	82L86	1	82L87	1
31.	Pilot Assembly	67L70	1	67L70	1
32.	Pilot Generator	60J79	1	60J79	1
33.	Thermocouple	67L67	1	67L67	1
34.	Pilot Tube	67L68	1	67L68	1
35.	Electrode And Cable	67L87	1	67L87	1
36.	Piezo Igniter	24M89	1	24M89	1
37.	Pilot Shield	H3737	1	H3737	1

GAS CONTROLS — ELECTRONIC

No.	DESCRIPTION	Natural		Propane	
		Part No.	Qty.	Part No.	Qty.
40.	Gas Valve - Honeywell	62L18	1	62L19	1
41.	Pilot Assembly	62L14	1	62L15	1
42.	Transformer	42J32	1	42J32	1
43.	Ignitor Assembly (Kit)	87L54	1	87L54	1
44.	Pilot Shield	H1586	1	H1586	1

REPLACEMENT PARTS DIAGRAMS



NOTE: DIAGRAMS & ILLUSTRATIONS NOT TO SCALE.

LHP reserves the right to make changes at any time, without notice, in design, materials, specifications, prices and also to discontinue colors, styles and products. Consult your local distributor for fireplace code information.