



# RS17 RINGSAW INSTRUCTIONS

P/N 2017101 AND 2017104

REIMANN & GEORGER CORPORATION  
CONSTRUCTION PRODUCTS

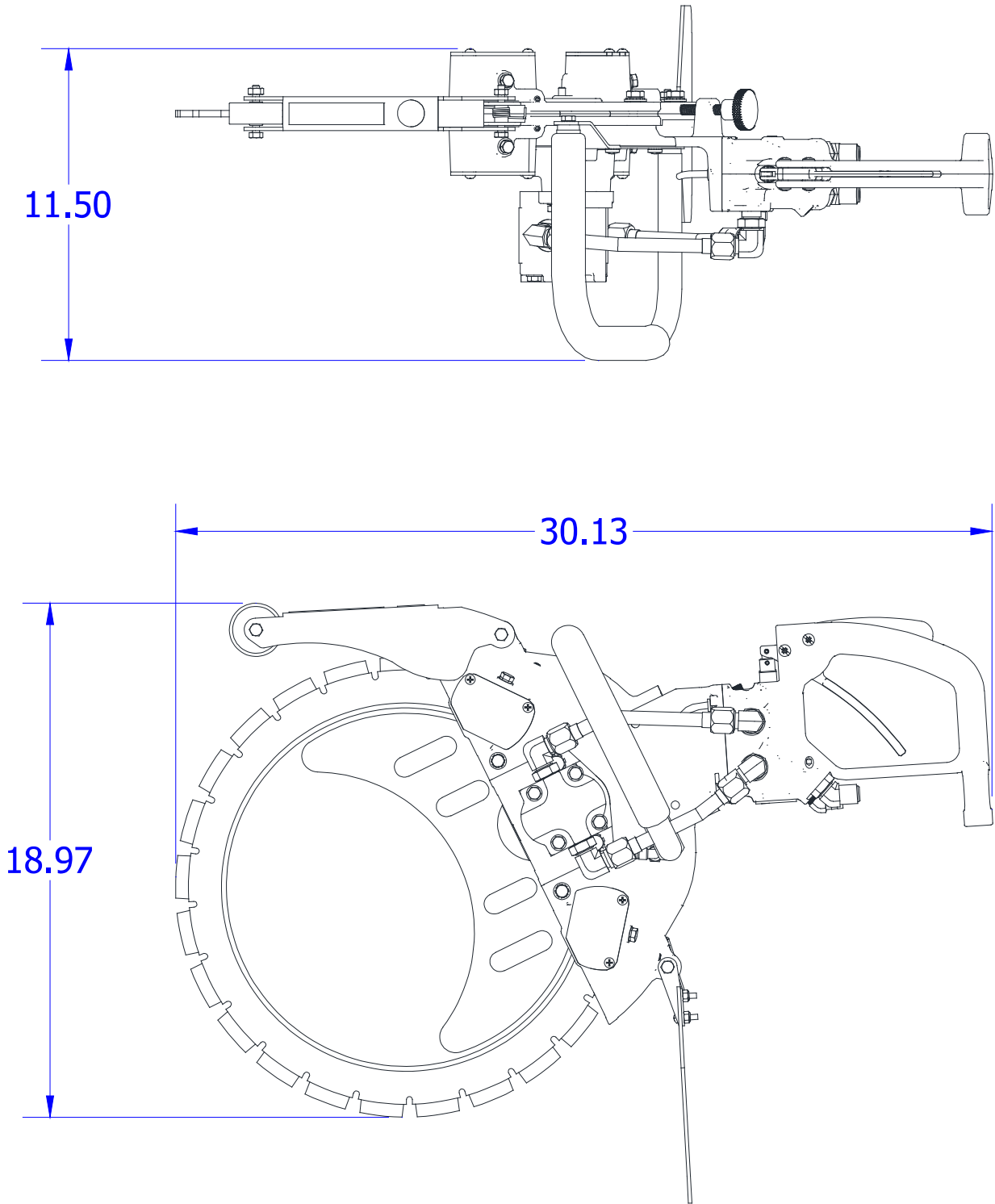
P/N 6122067

02/13/19

## 6 PARTS LIST

The following parts list applies to the RS17 RingSaw only. The parts list for the hydraulic power source is in the separate manual supplied for this item. Each item number on the following parts list can be matched with the item number shown on the Figure 6-1 assembly drawing.

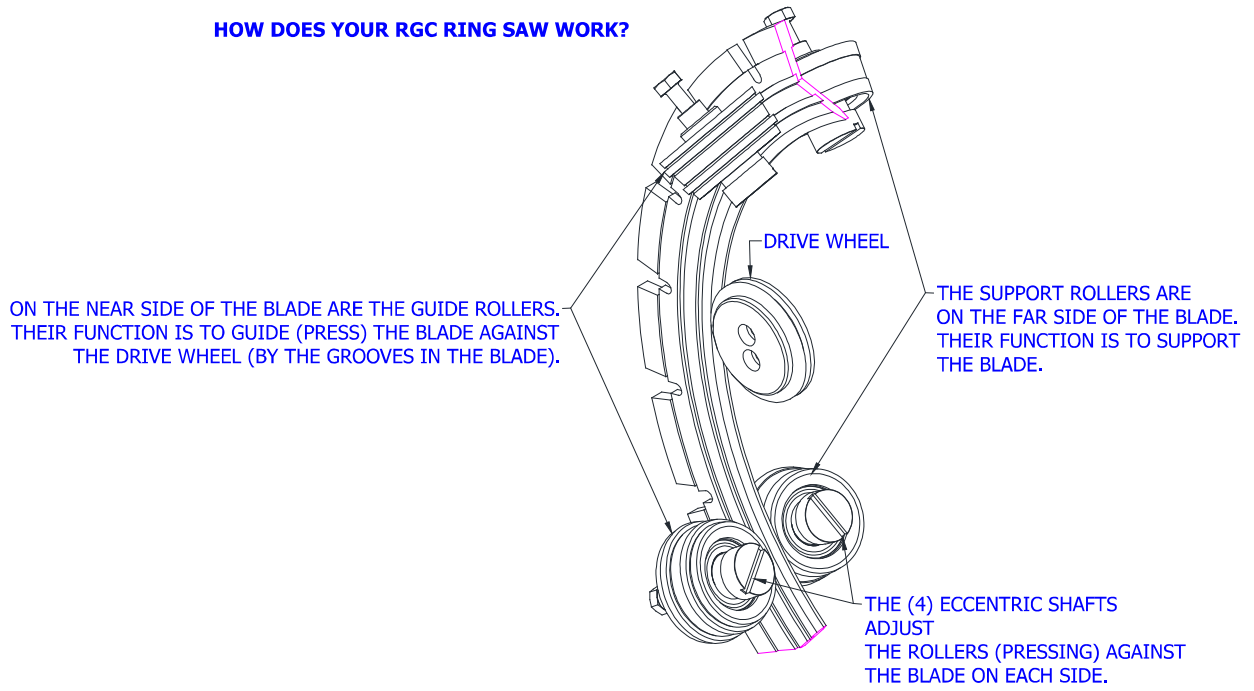
ITEM	PART NUMBER	DESCRIPTION	QTY	BASE UNIT
1	2017206	ROLLER FRAME ASSY BLACK	1	EA
2	5817920	SPRING,TORQ 3/4OD X .062MW X 90D	1	EA
3	5806393	WASHER FLAT SAE 1/4 CZP	2	EA
4	5806366	NUT HEX TOPLOCK 1/4-20 CZP	3	EA
5	5894074	SCREW SET SOC 1/4-20 X 1/4 SS	4	EA
6	2017940	RINGSAW TOP GUARD BLACK	1	EA
7	7617935	WHEEL 2" X 13/16 X 5/16 BORE POLYPROPYLENE	1	EA
8	2017407	RS17 RINGSAW GUARD SPRING SHAFT	2	EA
9	5817923	SPRING TORQ 3/4OD X .062MW X 180D CZP	1	EA
10	2017404	RS17 RINGSAW FRONT HANDLE MTG BAR	1	EA
11	2017200	RS17 RINGSAW FRONT HANDLE/GRIP ASSY	1	EA
12	5050418	RNGSAW/C100 HNDL/VLV SUB ASS BLU 12	1	EA
13	6517932	MOTOR HYD 12GPM RS17 RINGSAW P, H-PRESS SEAL	1	EA
14	5604684	ADAPTER 90D 3/4 SAE X JICM	4	EA
15	2017907	RS17 RINGSAW DRIVE WHEEL MTG FLANGE	1	EA
16	2017203	RS17 RINGSAW GEARBOX ASSY BLUE	1	EA
17	5806317	SHCS 1/4-20 X 3/4	4	EA
18A	2017901	RS17 RINGSAW BLADE GUIDE WLDMT	1	EA
18B	2017904	RS17 RINGSAW BLADE SPACER	4	EA
19	5806247	HHCS 3/8-16 X 1 CZP	2	EA
20	5806407	WASHER FLAT EXT TOOTH 3/8 CZP	4	EA
21	5806394	WASHER FLAT EXT TOOTH 1/4" CZP	4	EA
22	5806241	SCREW PH MS 1/4-20X1/2 PHIL SS	2	EA
23	5891796	SHCS #10-24 X 5/8 SS	2	EA
24	5891799	LOCK WASHER HI COLLAR #10 SS	2	EA
25	5806249	HHCS 3/8-16 X 1-1/2 CZP	2	EA
28	5650911	ADAPTER 1/4 SLIP-ON TUBE X 1/4NPTM	1	EA
29	5806209	HHCS 1/4-20 x 1-1/2 CZP	5	EA
31	5894101	SCREW PH MS 10-24X1/2 PHIL SS	8	EA
32	6411952	MINISAW SPLASHGUARD 8X8X3/16	1	EA
33	5894136	SCREW PH MS 10-24 X 3/4"LG PHIL SS	2	EA
36	5217914	RING SAW BLADE 17" DIA X .165 W/ DRV. WHEEL	1	EA
37	5806206	HHCS 1/4-20 X 3/4 CZP	2	EA
38	5920843	HOSE POLYETHYLENE 1/4 OD	.5	FT
39	2017212	RS17 RINGSAW ROLLER COVER BLACK	4	EA
40	5617917	ADAPTER 90D 1/4TUBE PUSHLOK X 1/4NPTM	1	EA
41	5891790	KNOB MALE 3/8-16 X 1-3/4 STUD(1-1/2 OD)SS	1	EA
42	6017926	RS17 RINGSAW PRESSURE TUBE 12GPM W/FTGS	1	EA
43	6017929	RS17 RINGSAW RETURN TUBE 12GPM W/FTGS	1	EA
44	5806406	WASHER FLAT SAE 3/8 CZP	4	EA
45	2017934	RS17 RINGSAW SPLASH GUARD HINGE	1	EA
46	5806377	NUT HEX 3/8-16 CZP	1	EA
47	6204036	TAG MODEL RGC HYDRTOOL	1	EA
48	6205650	DECAL ROTATION ARROW	1	
49	6219274	DECAL 12 GPM	1	EA
50	6205685	DECAL MADE IN USA	1	EA
51	6204405	DECAL RGC LOGO	1	EA
52	6239972	DECAL "PPE LOGO"	1	EA



**Figure 6-1**

**RS17 RINGSAW OVERALL DIMENSIONS**

**HOW DOES YOUR RGC RING SAW WORK?**



**Figure 6-2**

Roller Assemblies in Roller Frame Diagram:

ITEM	PART NUMBER	DESCRIPTION	QTY	BASE UNIT
1	2017218	RS17 RINGSAW FRAME BLACK	1	EA
2	2017219	RS17 GUIDE ROLLER	2	EA
3	2017937	RS17 SUPPORT ROLLER	2	EA
4	5806393	WASHER FLAT SAE 1/4 CZP	4	EA
5	5806398	WASHER SPLIT LOCK 1/4	4	EA
6	5806209	HHCS 1/4-20 UNC X 1-1/2 CZP	4	EA
7	2017925	RS17 ROLLER ECCENTRIC SHAFT	4	EA
8	5117902	BEARING, BOCA (15X35X15.9MM) SS	4	EA
9	2017931	RS17 ROLLER SHAFT SPACER	4	EA

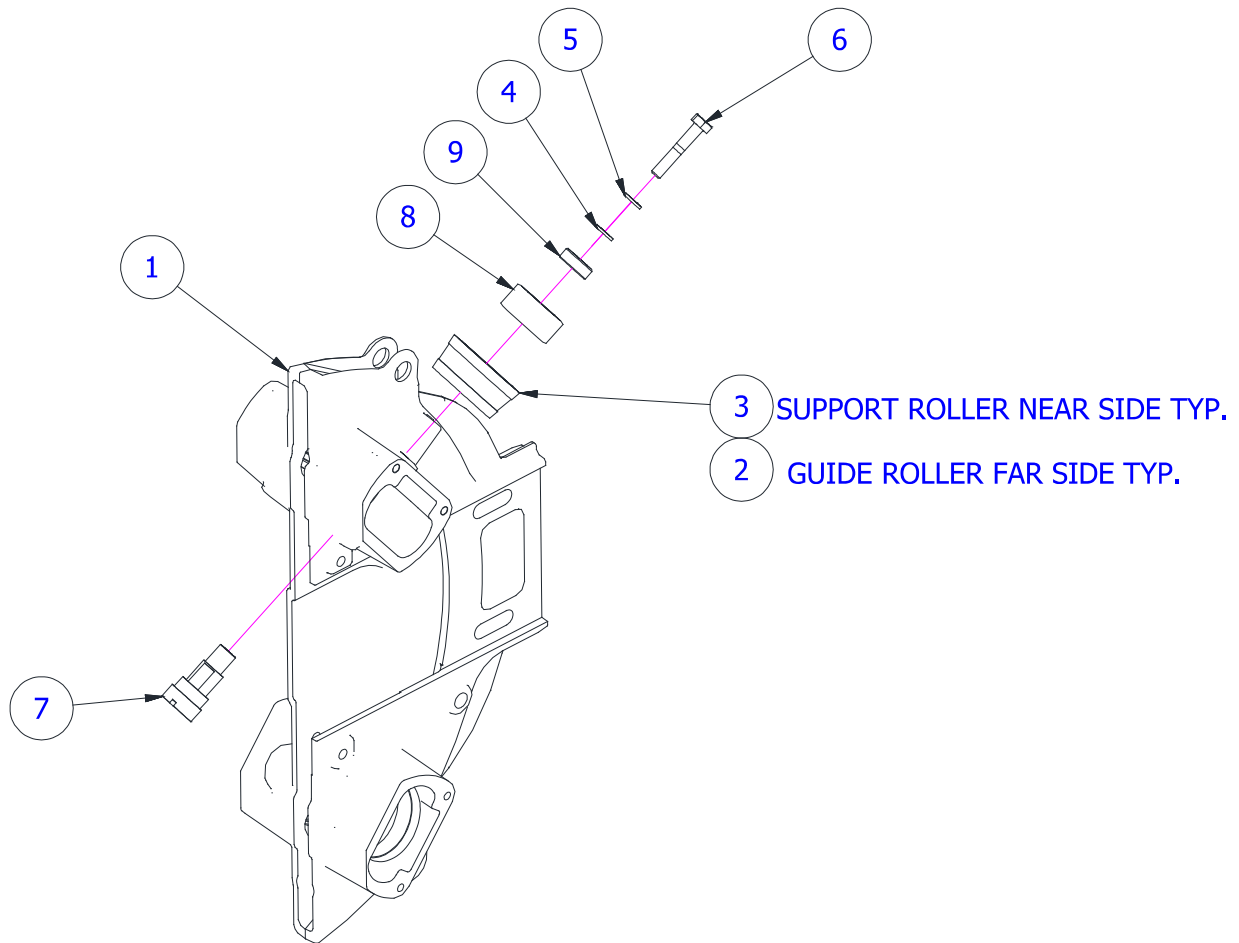
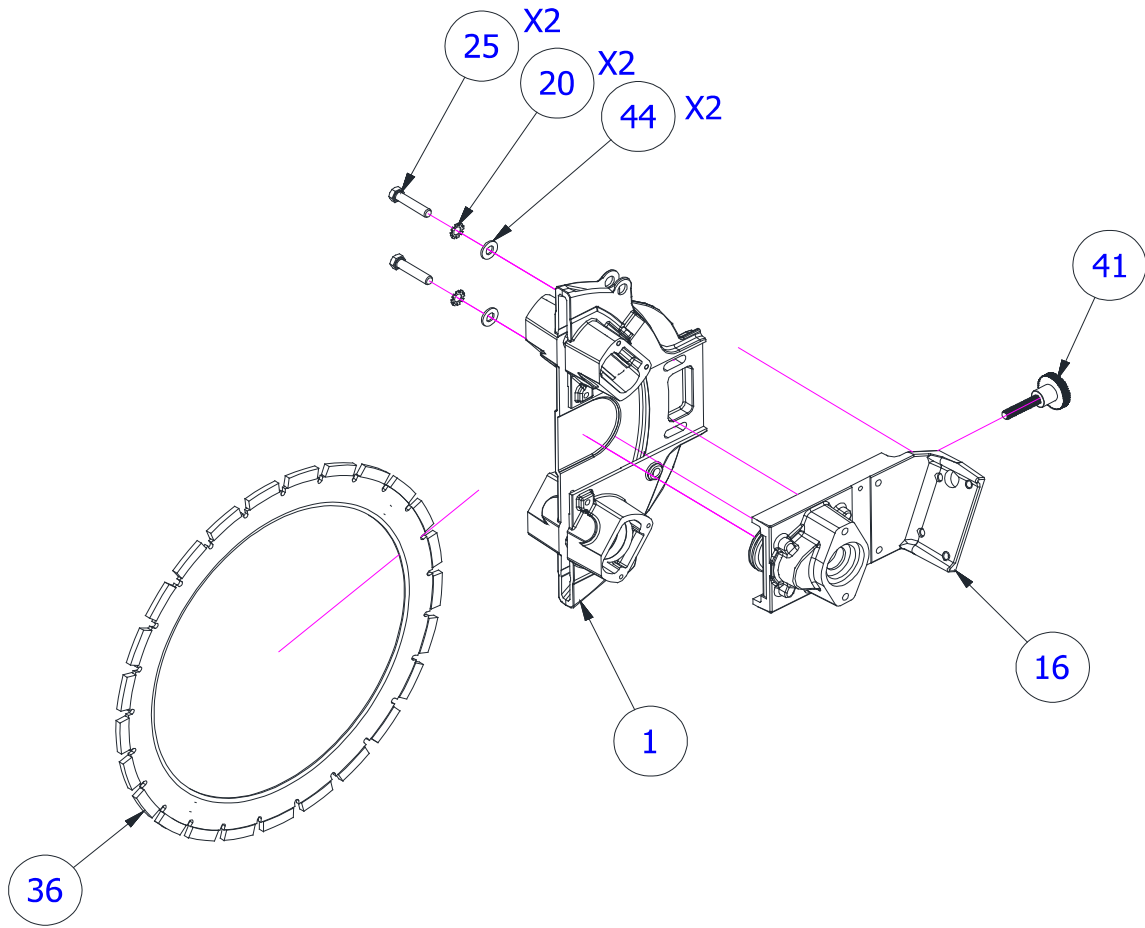
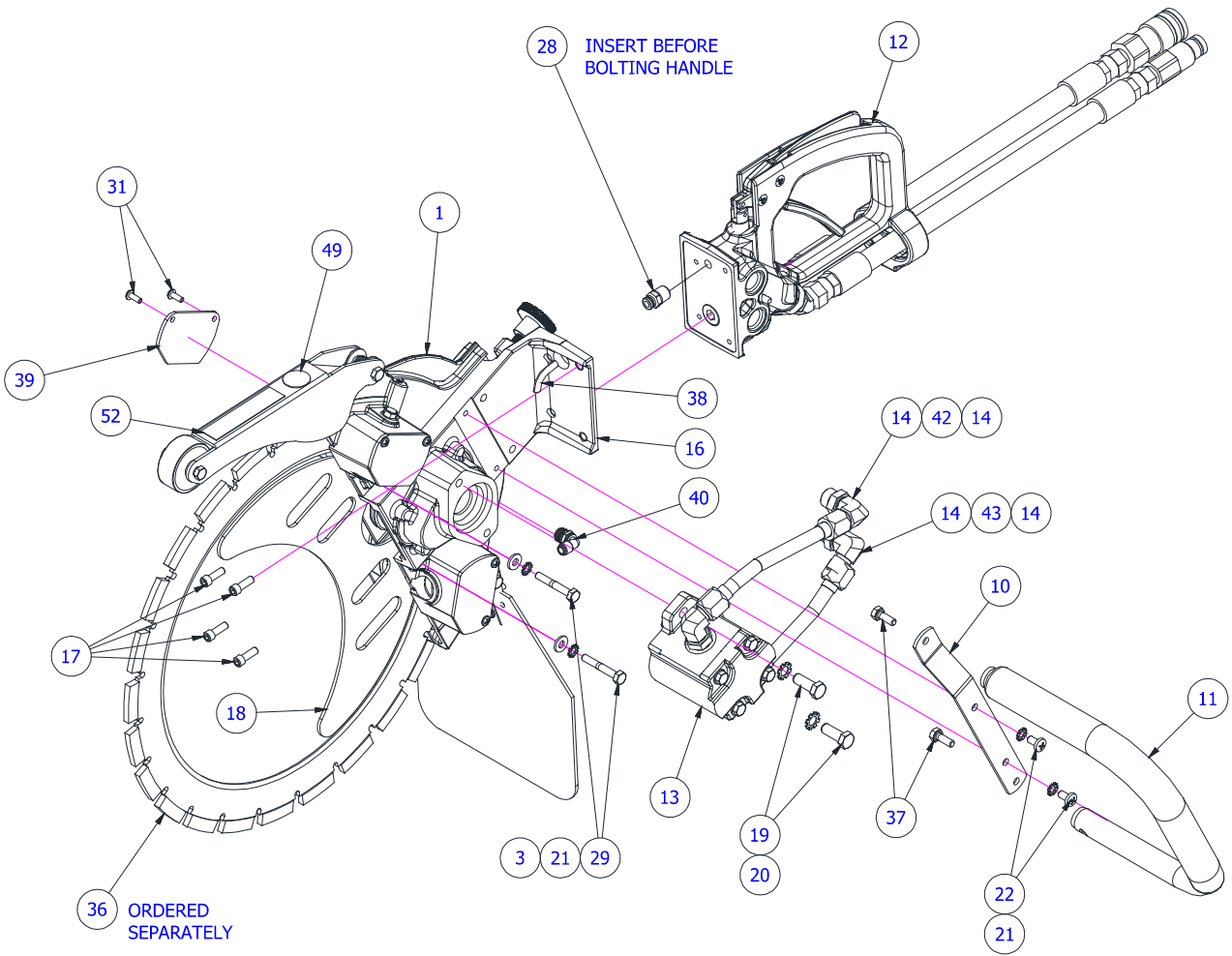


Figure 6-3

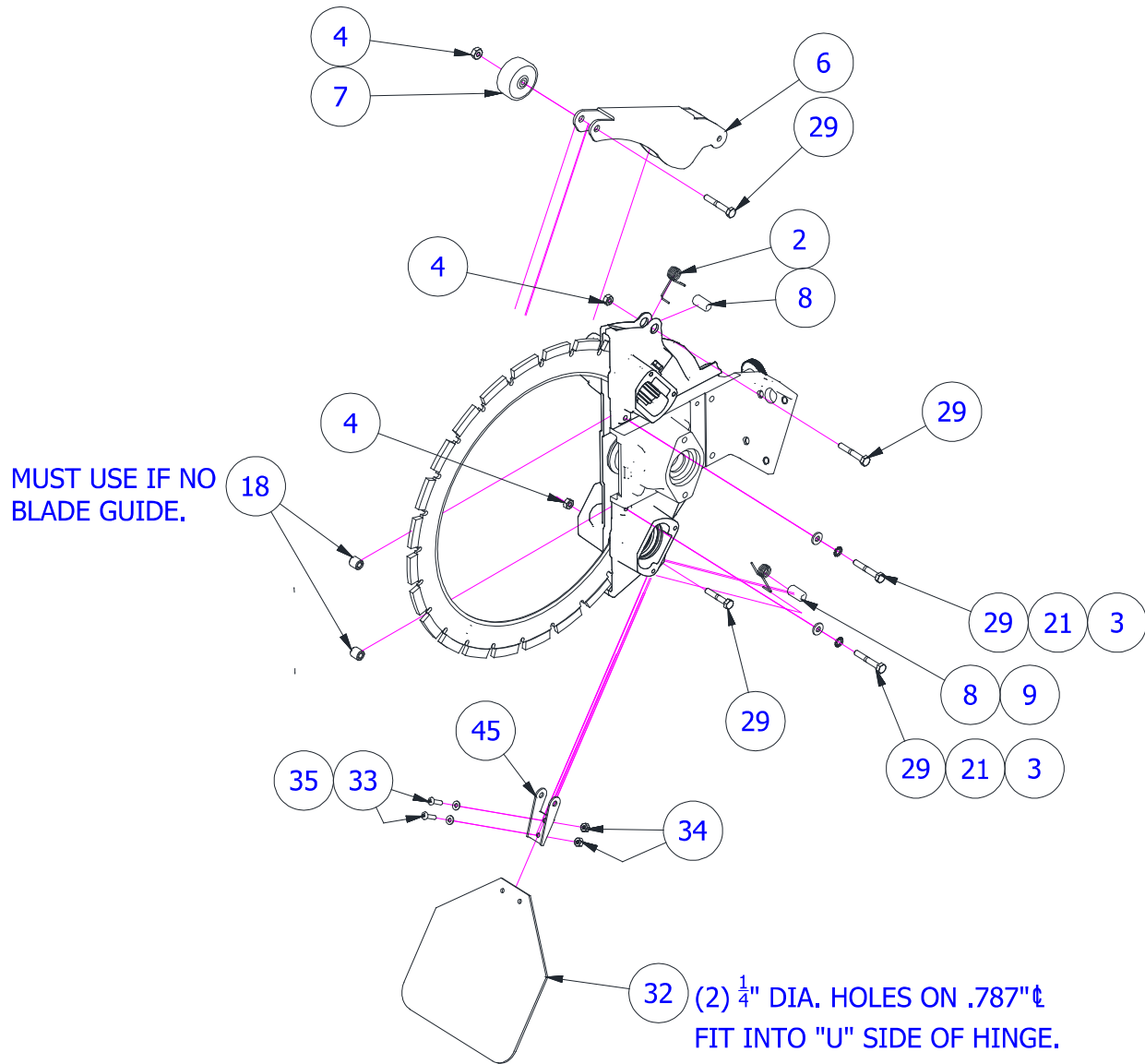


**Figure 6-4**

**Exploded Assembly Part 1**



**Figure 6-5**  
**Exploded Assembly Part 2**



**Figure 6-6**  
**Exploded Assembly Part 3**