

# ***PARTNER***

ConstructionParts.com



**IPL, K 3000 ELECTRIC, 2003-08, 106 31 00-61**

ConstructionParts.com

***K 3000 ELECTRIC***

***Reservdelar***

***Spare parts***

***Ersatzteile***

***Pieces de rechange***

***Piezas de repuesto***

***Ricambi***

***Peças***

***sobresselente***

ConstructionParts.com

888-634-4289

106 31 00-61

---

# ***PARTNER***<sup>®</sup>

No.	Pos.	Description	No.	Pos.	Description
501 69 17-02	G	Comb.tool	531 03 18-90	D	Housing
503 20 00-03	C	Screw m5x12	531 03 18-91	D	Grounding pipe
503 21 20-01	A	Screw	531 03 18-92	D	Brush rocker cpl
503 22 10-08	B	Nut m8x1 left	531 03 18-94	E	Screw MCS 5x220
503 25 09-01	B	Ball bearing	531 03 18-96	D	Inspection cover left
505 52 02-11	A	Cable 230V	531 03 18-97	D	Inspection cover right
505 52 02-17	A	Cable 110V	531 03 18-98	D	Decal
505 53 03-07	D	Air stream director	531 03 18-99	D	Decal
505 53 03-08	C	Gasket 0,3MM	531 03 19-01	C	Screw
505 53 03-10	C	Gasket 0,5MM	531 03 19-02	A	Screw RXK B8x22
505 53 03-11	ADE	Screw MCS 5x192	723 22 85-81	D	Screw MCS 4x6
505 53 03-14	B	Rubber bushing	724 12 87-59	D	Screw M4x8
505 53 03-16	B	Spacer	724 12 91-01	D	Screw M4x12
505 53 03-19	B	Spacer	724 13 27-55	A	Screw M5x12
505 53 03-41	B	Felt joint	725 53 31-50	C	Screw MC6S 5x20
505 53 03-51	B	Spring washer	729 57 76-01	D	Screw RXK B8x13
505 53 03-52	B	Spacer	732 21 14-01	D	Locknut M5
505 53 03-56	A	Cable JP,USA	734 11 36-01	D	Washer
506 02 87-01	C	Washer	735 11 36-50	D	Spring washer
506 02 88-30	C	Bushing	735 11 46-50	AD	Washer 5,3x10
506 03 45-01	C	Washer	735 21 36-01	D	Lock washer
506 03 62-02	C	Spacer	735 31 08-00	E	Seeger clip
506 03 62-04	C	Spacer	735 31 33-10	B	Circlip sgh 35
506 03 88-01	F	Decal	738 22 00-15	C	Ball bearing
506 03 95-20	C	Bushing	738 22 02-27	B	Ball bearing
506 03 95-22	C	Bushing	738 22 03-18	C	Ball bearing
506 03 95-25	C	Bushing			
506 09 86-02	BC	Pinion			
506 13 95-11	C	Washer			
506 13 96-01	C	Screw			
506 15 00-01	F	Guard 12"			
506 15 03-02	E	Handle			
506 15 05-02	C	Gear set cpl			
506 20 27-01	C	Flange			
506 22 50-10	B	Armature 100-120V			
506 22 50-20	B	Armature 230V			
506 22 51-10	D	Field coil 100-120V			
506 22 51-20	D	Field coil 230V			
506 22 53-01	D	Screw MCS 5x95			
506 22 58-02	D	Carbon brush			
506 24 44-01	D	Decal			
506 26 36-01	F	Guard 14"			
506 26 75-01	C	Washer			
531 03 12-76	E	Screw M14x20			
531 03 18-20	E	Gear housing cpl			
531 03 18-21	E	Shaft			
531 03 18-22	E	Knob			
531 03 18-23	E	Spring			
531 03 18-75	C	Gear cpl			
531 03 18-76	A	Plug 110V GB			
531 03 18-78	C	Shaft			
531 03 18-79	C	Flange			
531 03 18-81	A	Elguard 110V			
531 03 18-82	A	Elguard 230V			
531 03 18-83	A	Switch			
531 03 18-84	A	Knob			
531 03 18-85	A	Spring			
531 03 18-86	A	Ruber bushing			
531 03 18-87	A	Clamp			
531 03 18-89	A	Handle cpl			

**A**

\*compl 531 03 18-89

ConstructionParts.com

888-634-4289

505 53 03-56 JP, USA

505 53 03-11

735 11 46-50

505 52 02-11 (230v)

531 03 18-86

531 03 18-76 (110v) GB

531 03 19-02 (x3)

505 52 02-17 (110v) GB

ConstructionParts.com

531 03 18-85

531 03 18-84

724 13 27-55

503 21 20-01 (x2)

531 03 18-87

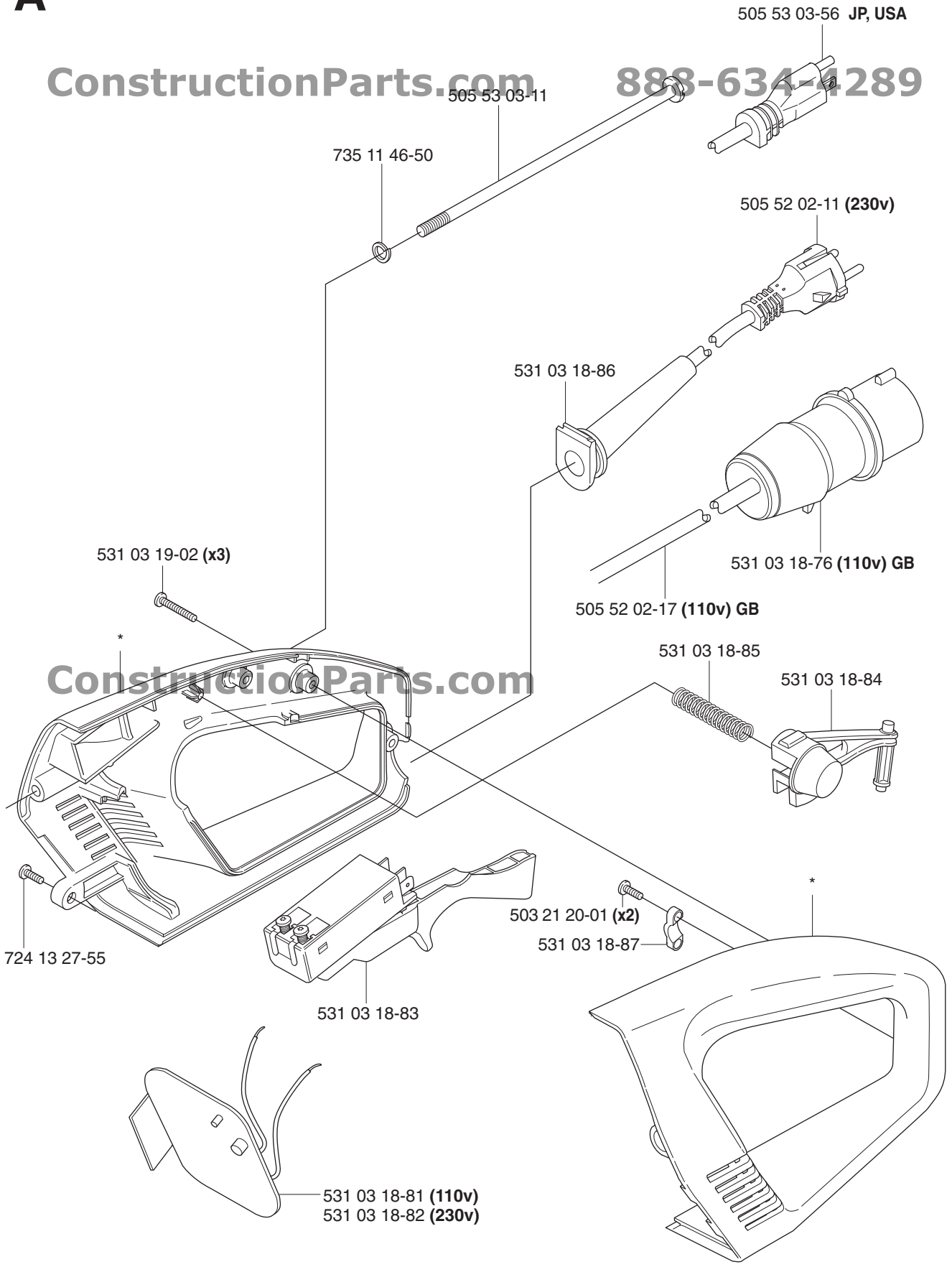
531 03 18-83

531 03 18-81 (110v)

531 03 18-82 (230v)

ConstructionParts.com

888-634-4289

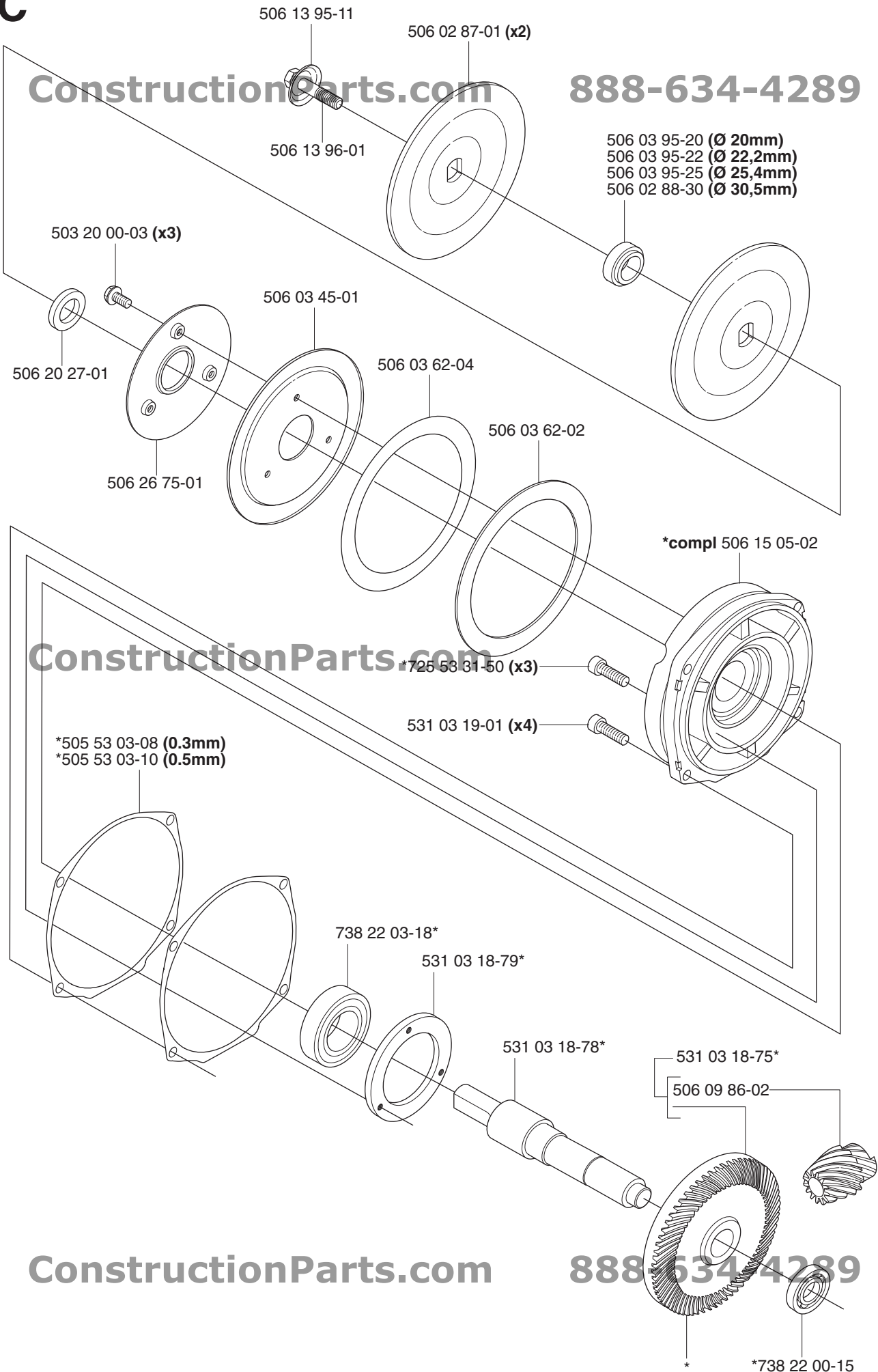




**C**

ConstructionParts.com

888-634-4289



D



ConstructionParts.com

888-634-4289

- 724 12 87-59
- 735 21 36-01
- 734 11 36-01



531 03 18-99

531 03 18-91

724 12 91-01 (x4)

735 11 36-50 (x4)

729 57 76-01

531 03 18-97

732 21 14-01 (x2)

735 11 46-50 (x2)

531 03 18-90

531 03 18-96

ConstructionParts.com

\*compl 531 03 18-92

\*506 22 58-02 (x2)

505 53 03-11

729 57 76-01

735 11 46-50

\*(x2)

\*723 22 85-81 (x2)

505 53 03-07

506 22 51-10 (100-120v)  
506 22 51-20 (230v)

ConstructionParts.com

888-634-4289

506 22 53-01 (x2)

506 24 44-01



**E**

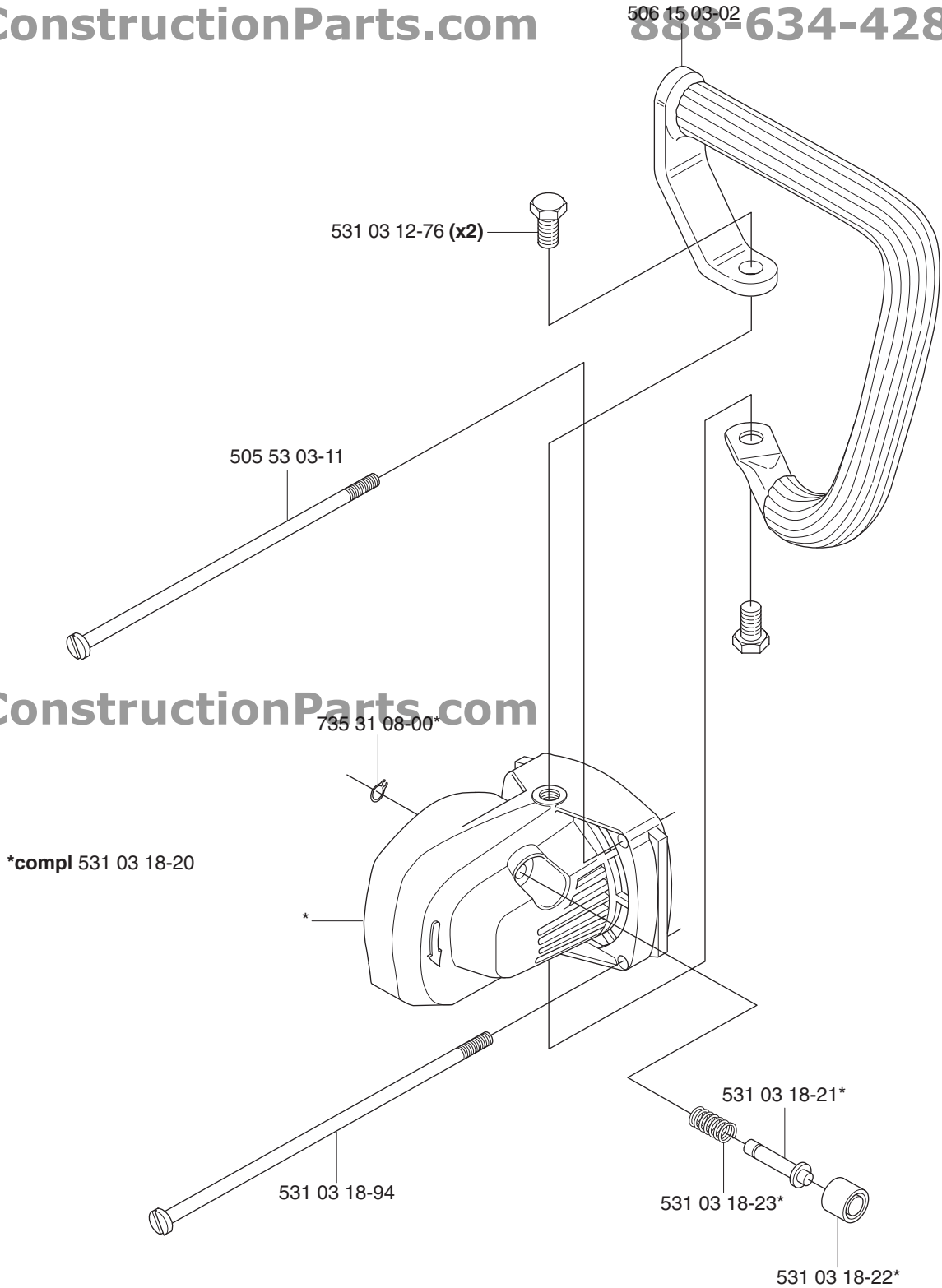
**ConstructionParts.com**

**888-634-4289**

**ConstructionParts.com**

**ConstructionParts.com**

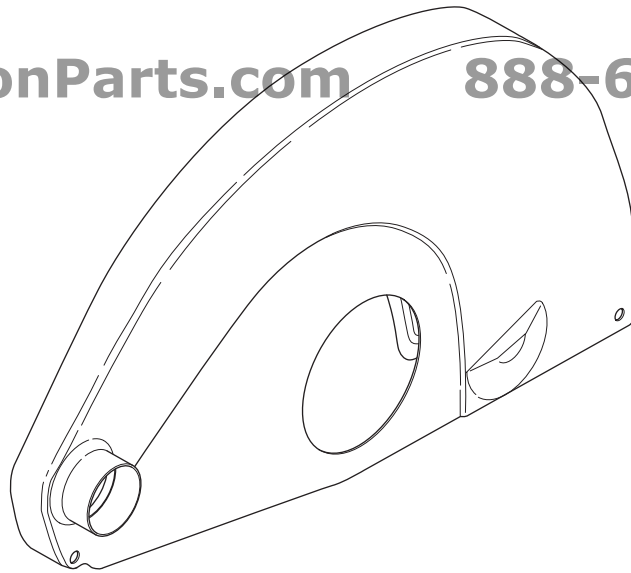
**888-634-4289**



**F**

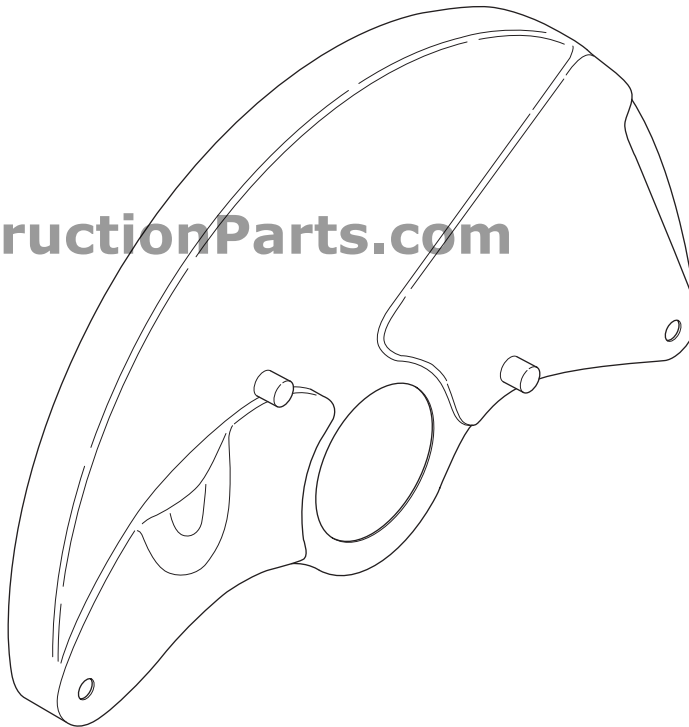
ConstructionParts.com

888-634-4289



506 15 00-01 (12")

ConstructionParts.com



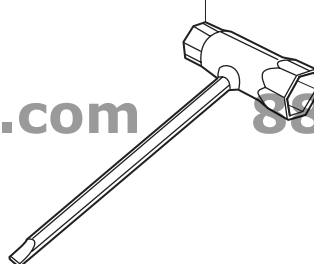
506 26 36-01 (14")



506 03 88-01

**G** Accessories  
Zubehöre  
Accessoires  
Accesorios  
Tillbehör

501 69 17-02



ConstructionParts.com

888-634-4289