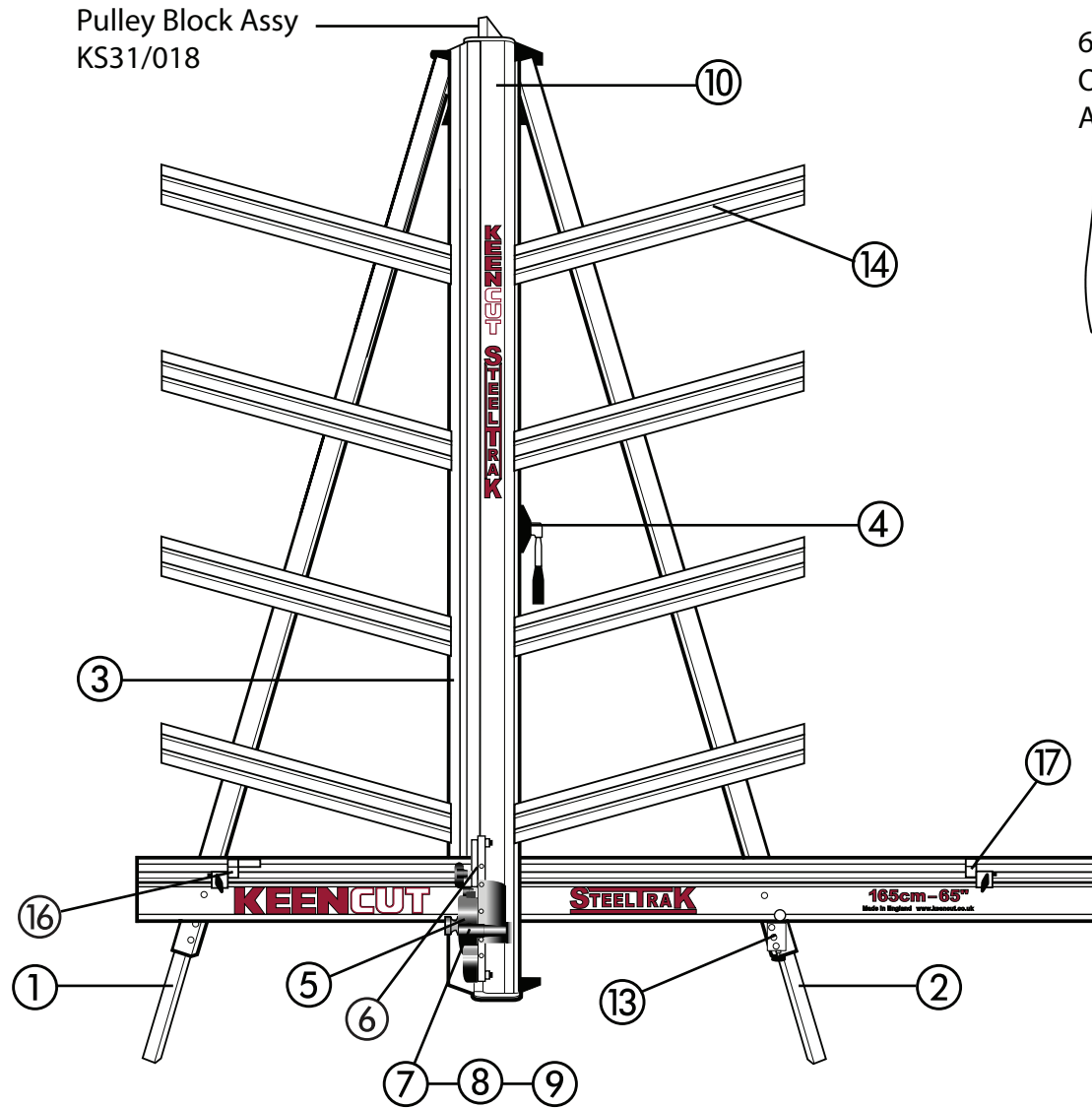
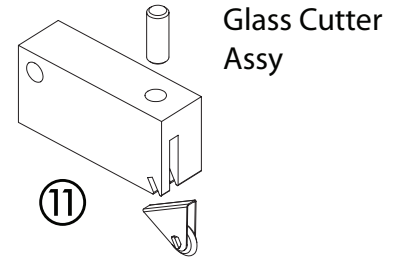


SteelTrak - SPARE PART LISTINGS

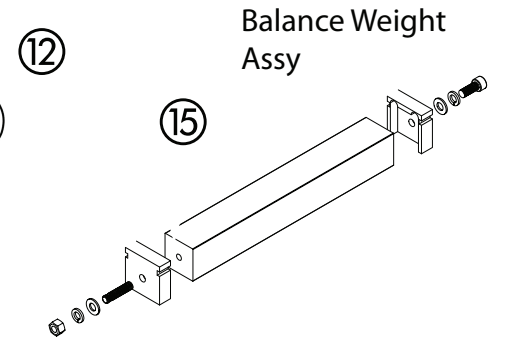


Pulley Block Assy
KS31/018

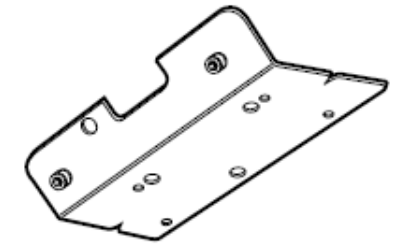
69127
Optional
Aluminum Tool



Balance Weight
Assy

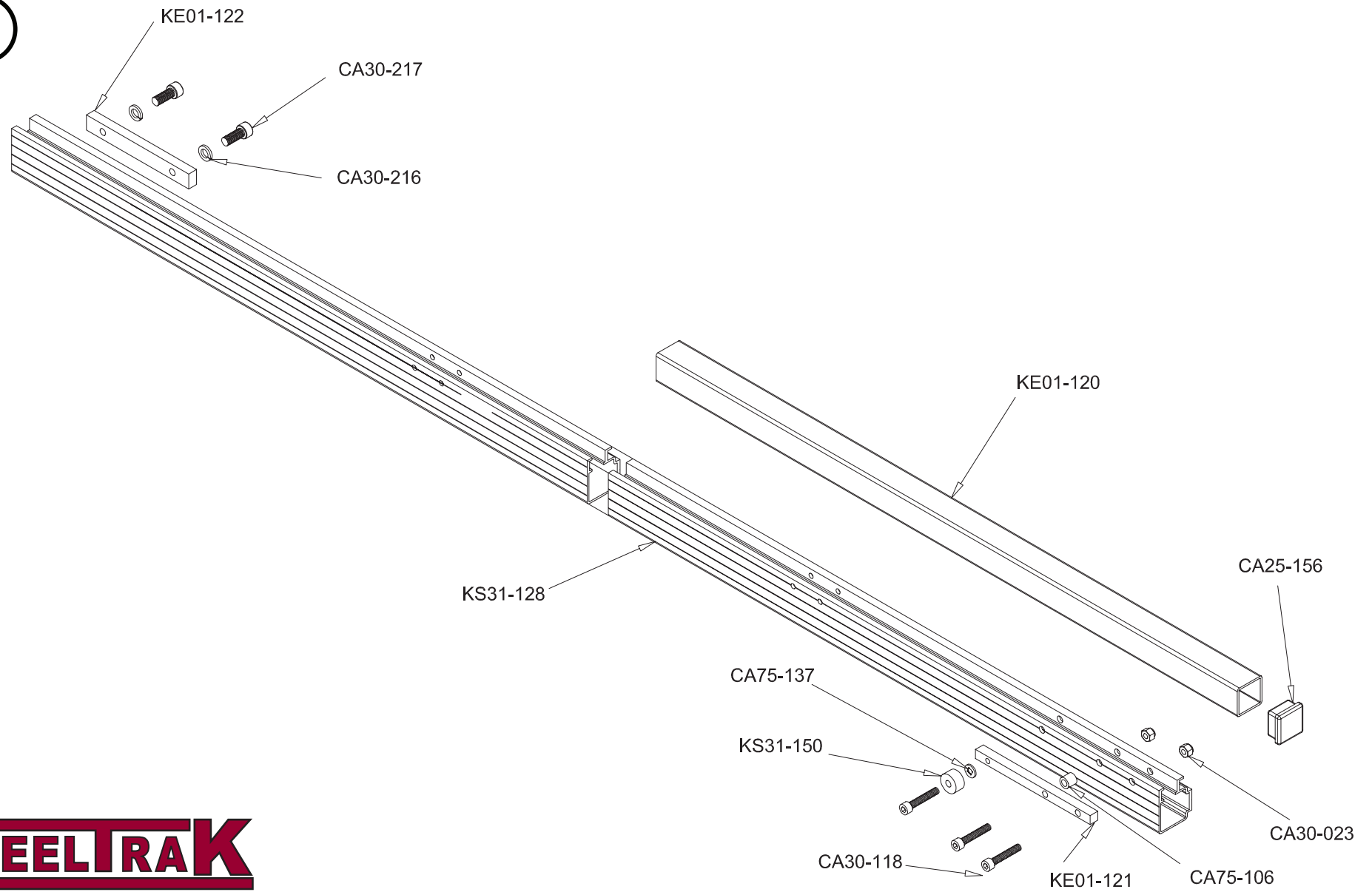


18 Wall Mount Bracket



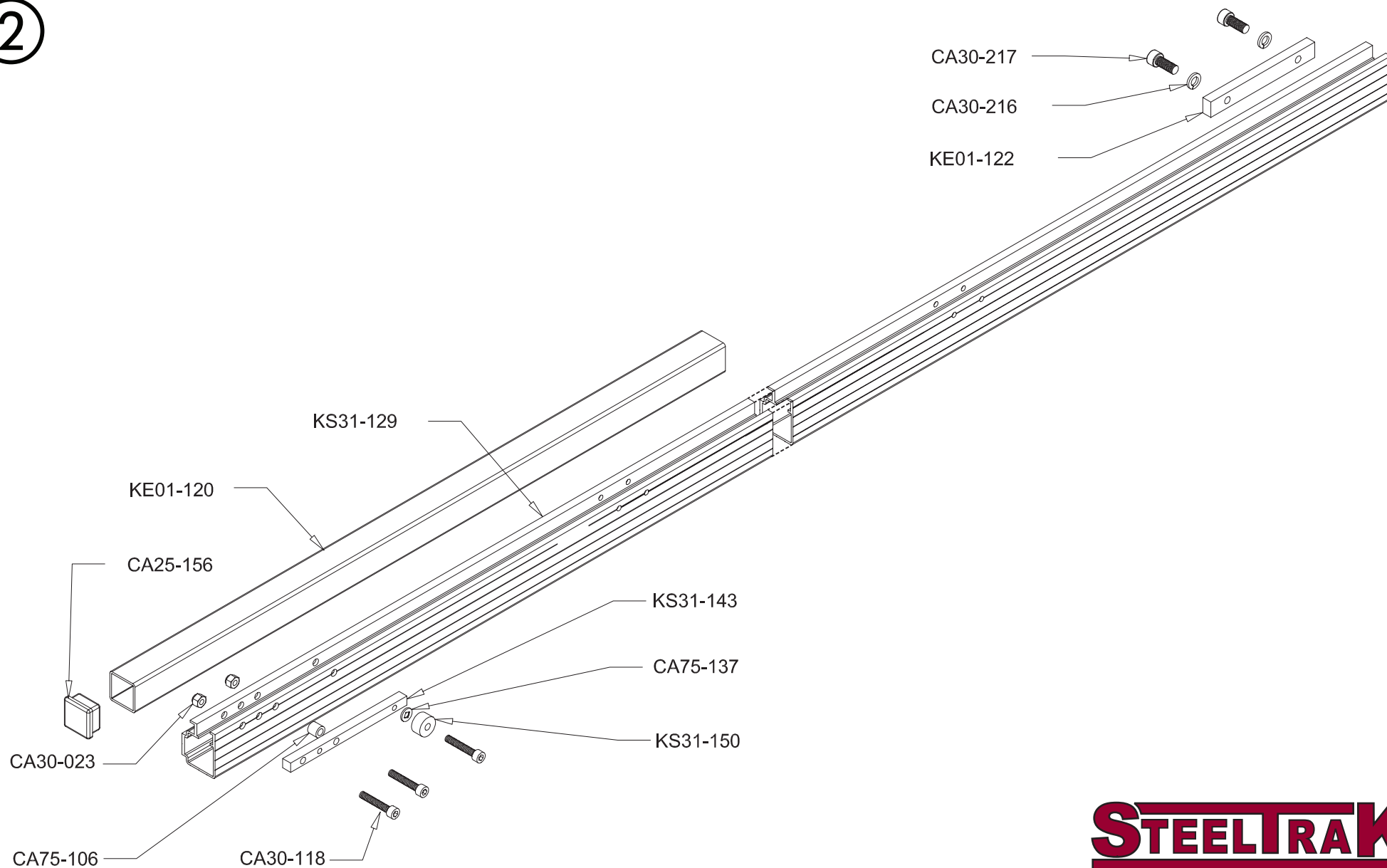
KS31-003 -Left Hand Leg Assembly

1

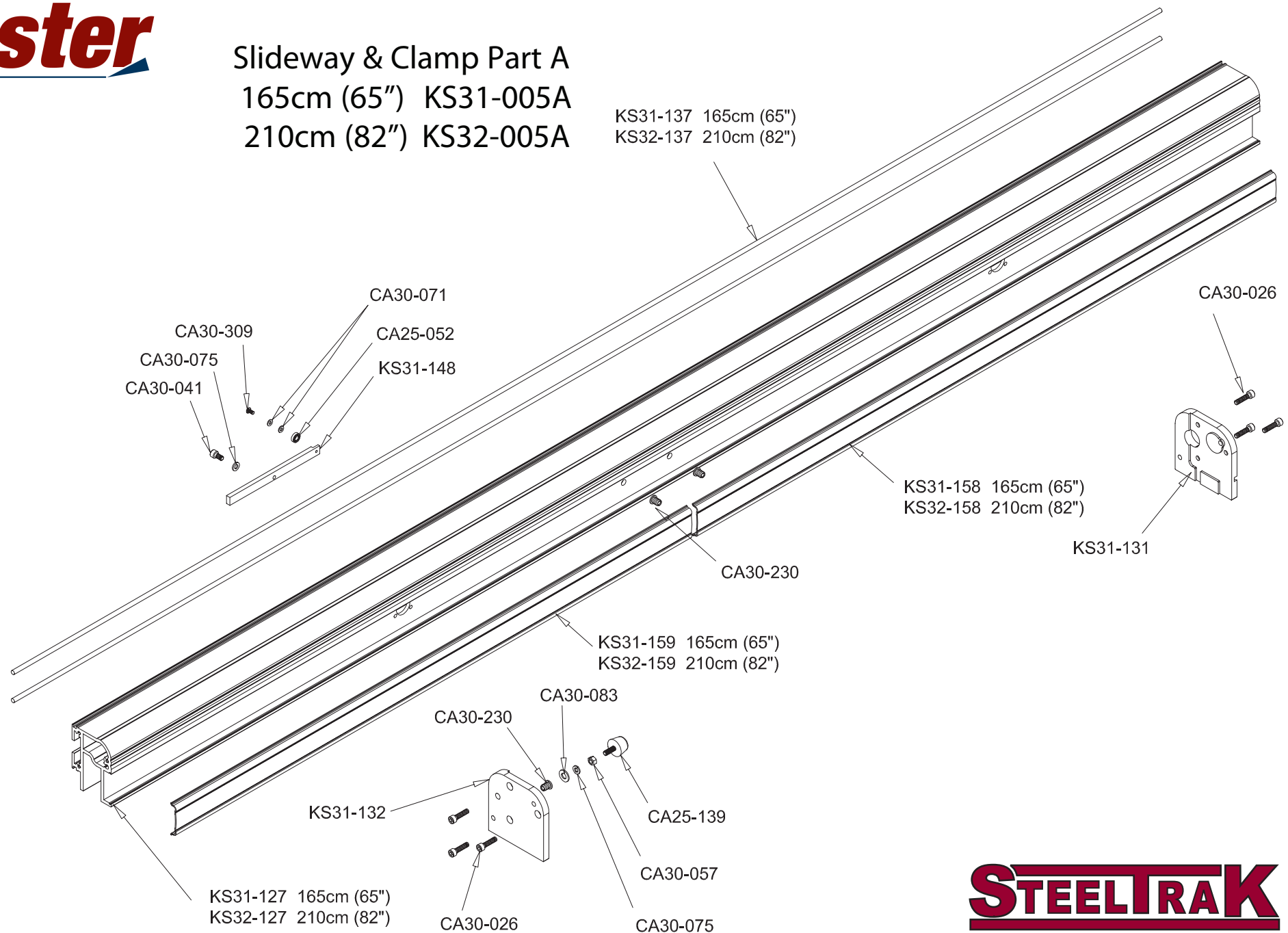


KS31-004 - Right Hand Leg Assembly

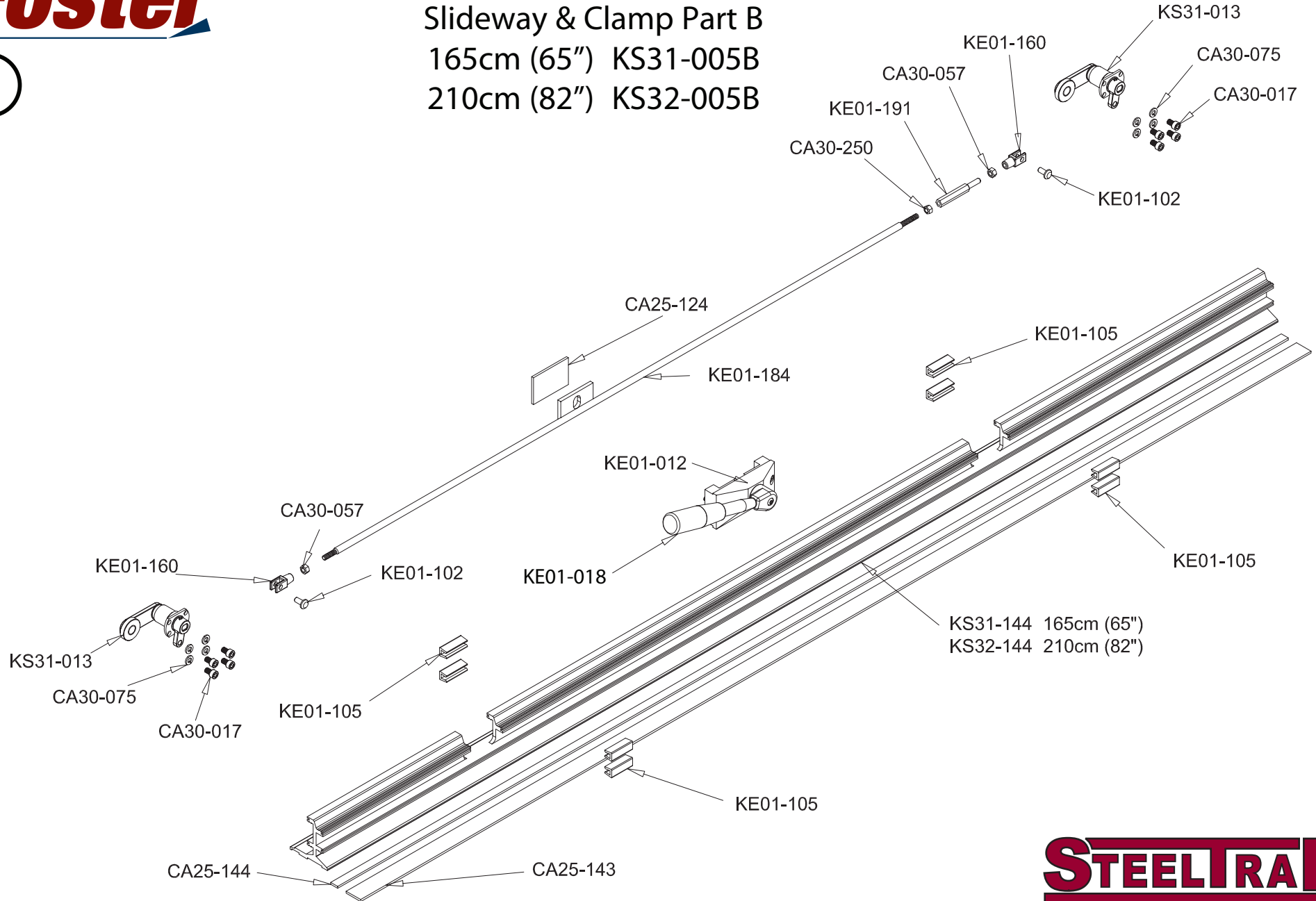
②



Slideway & Clamp Part A 165cm (65") KS31-005A 210cm (82") KS32-005A

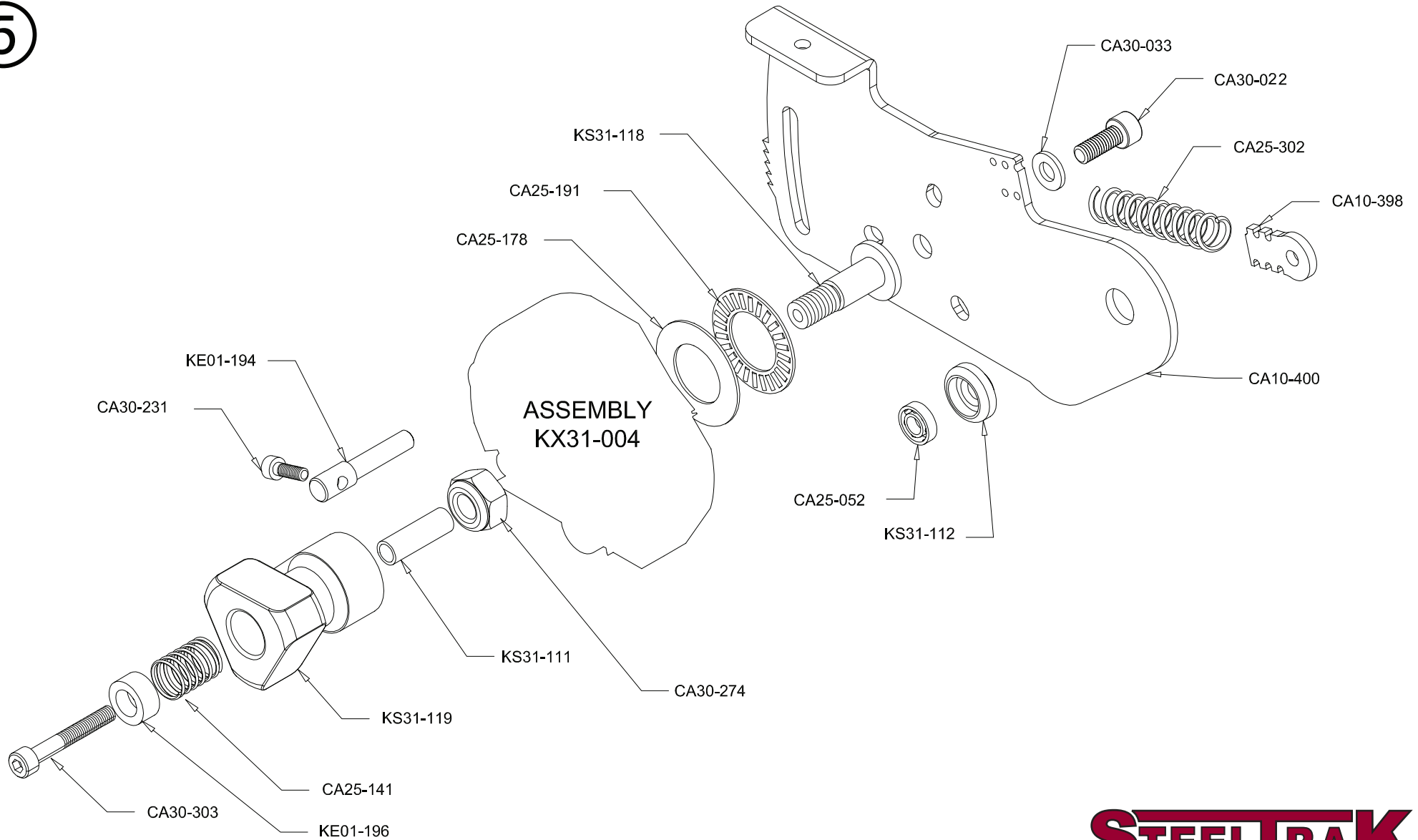


Slideway & Clamp Part B 165cm (65") KS31-005B 210cm (82") KS32-005B



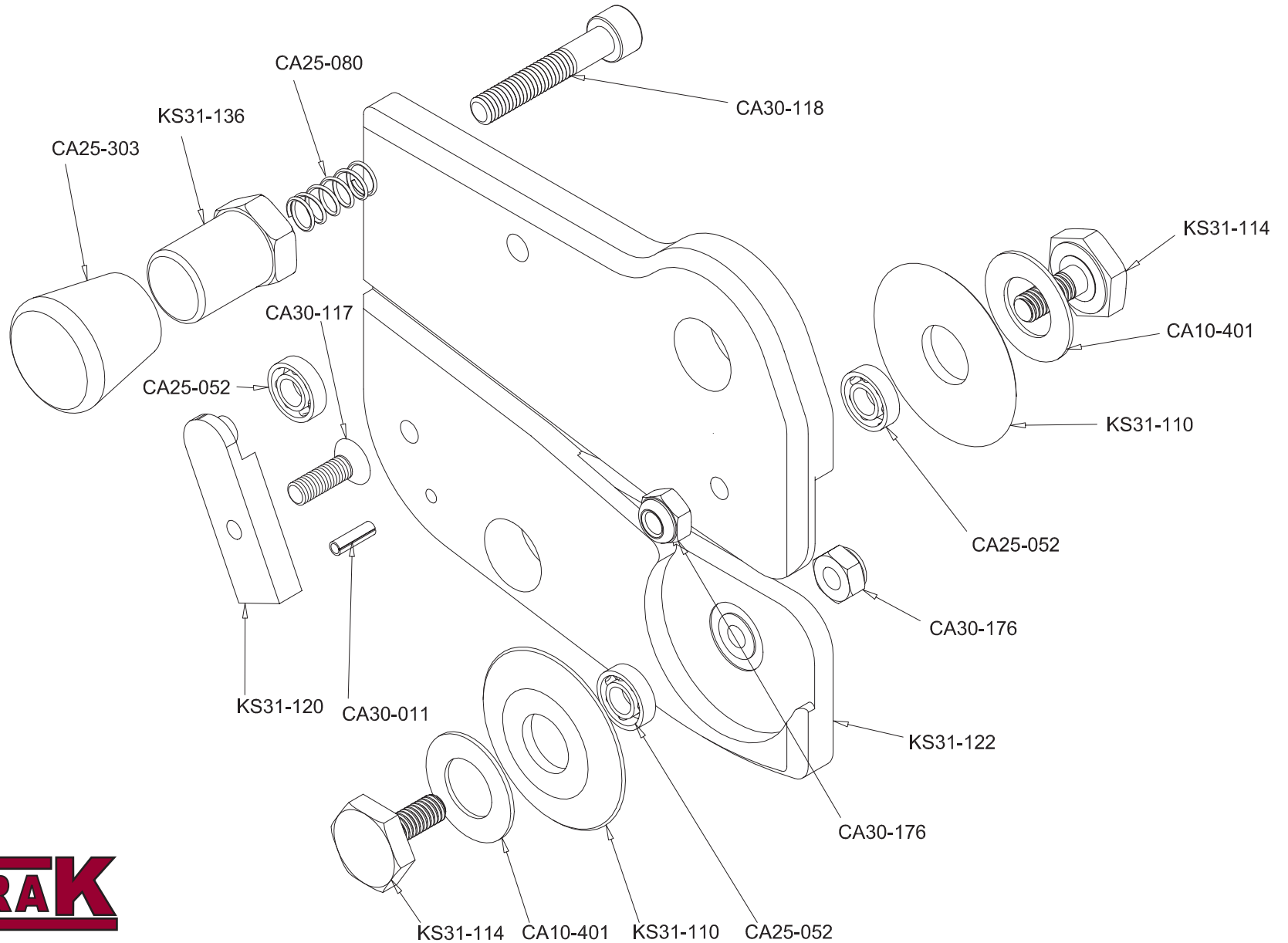
KS31-006 - Swinging Arm Assembly

5



69123 - Composite Twin Wheel Cutter Assembly

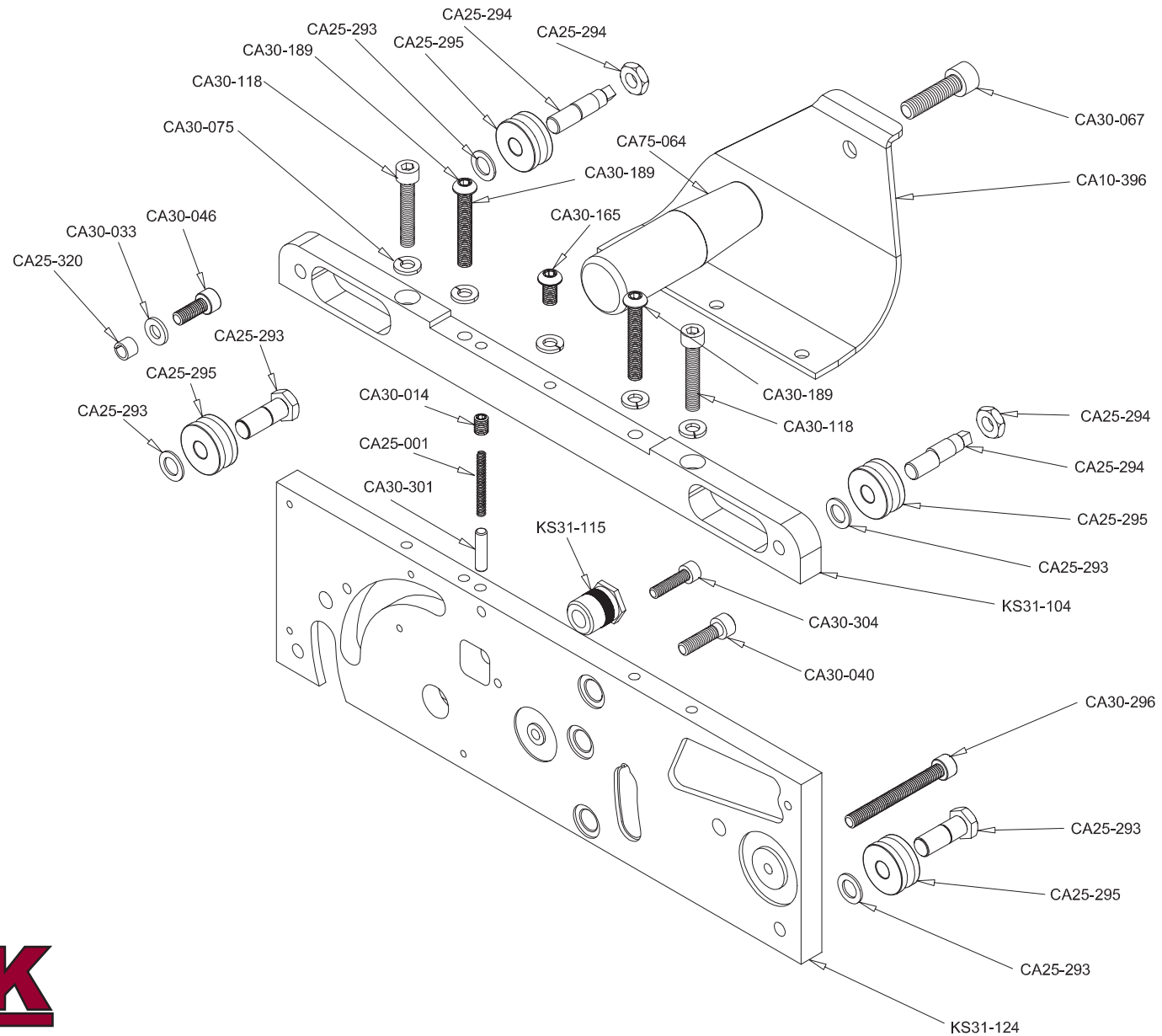
6



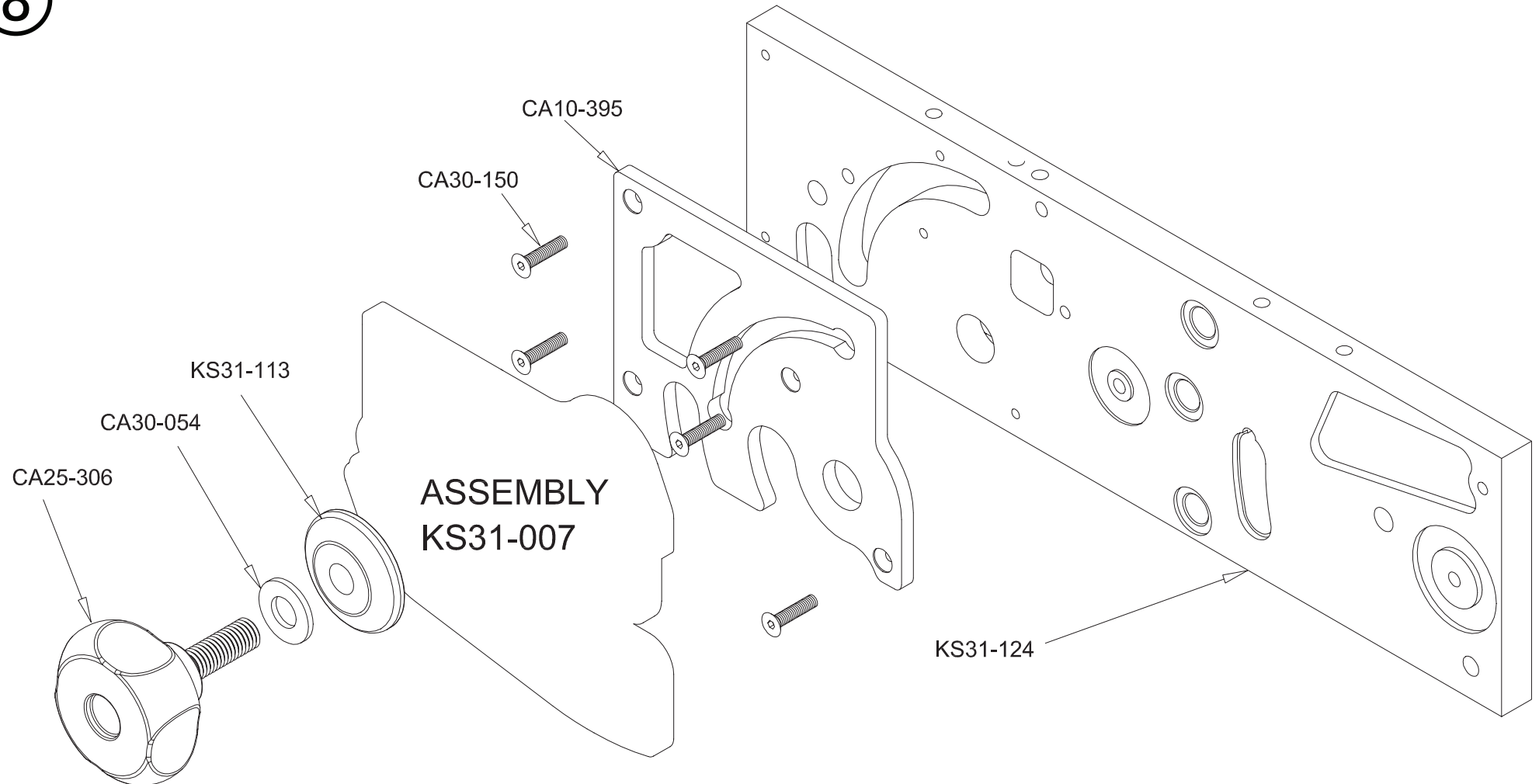
69126- Replacement
Cutting Wheels

KS31-008 - Cutter Head Assembly Part A

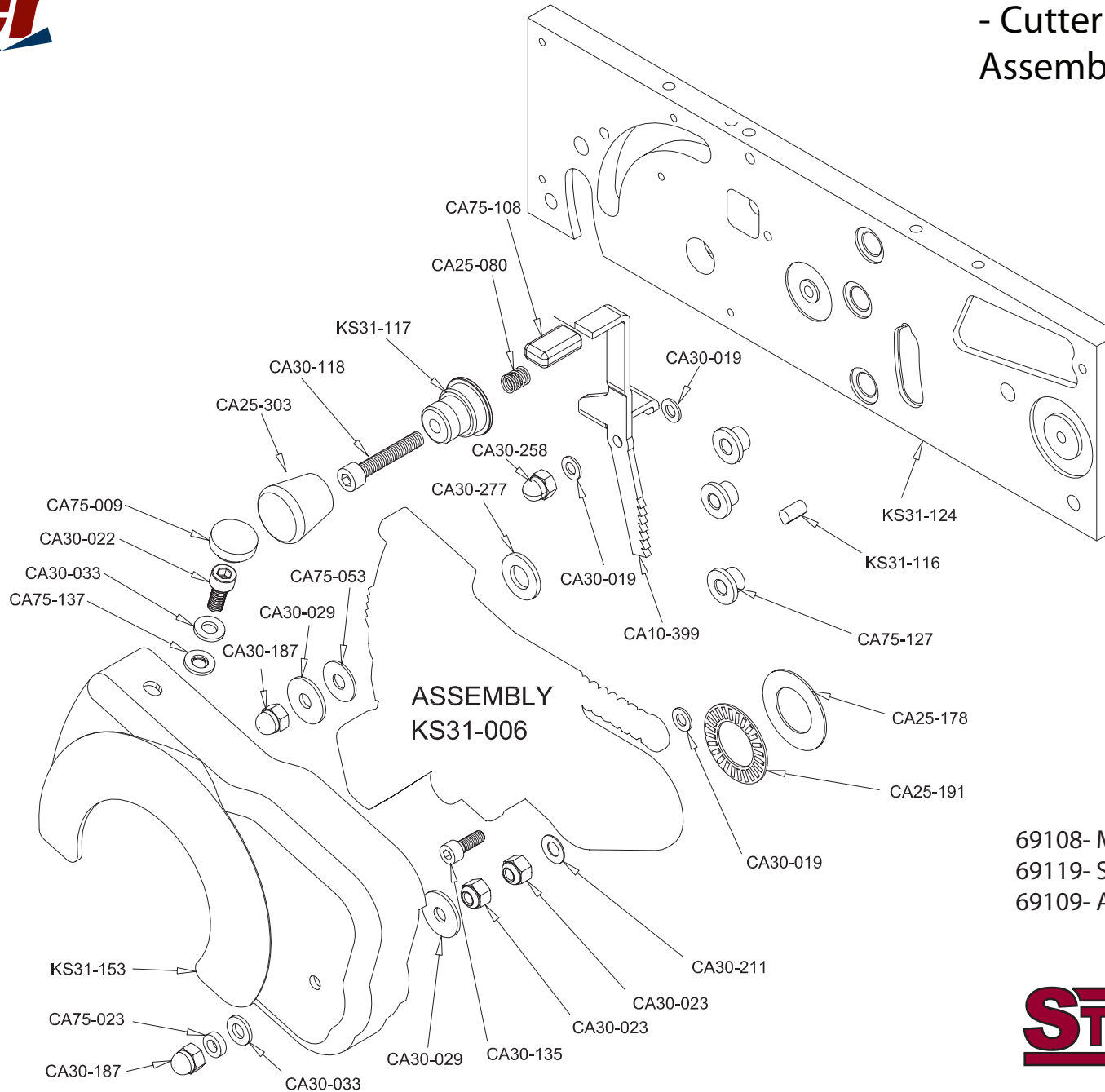
7



8



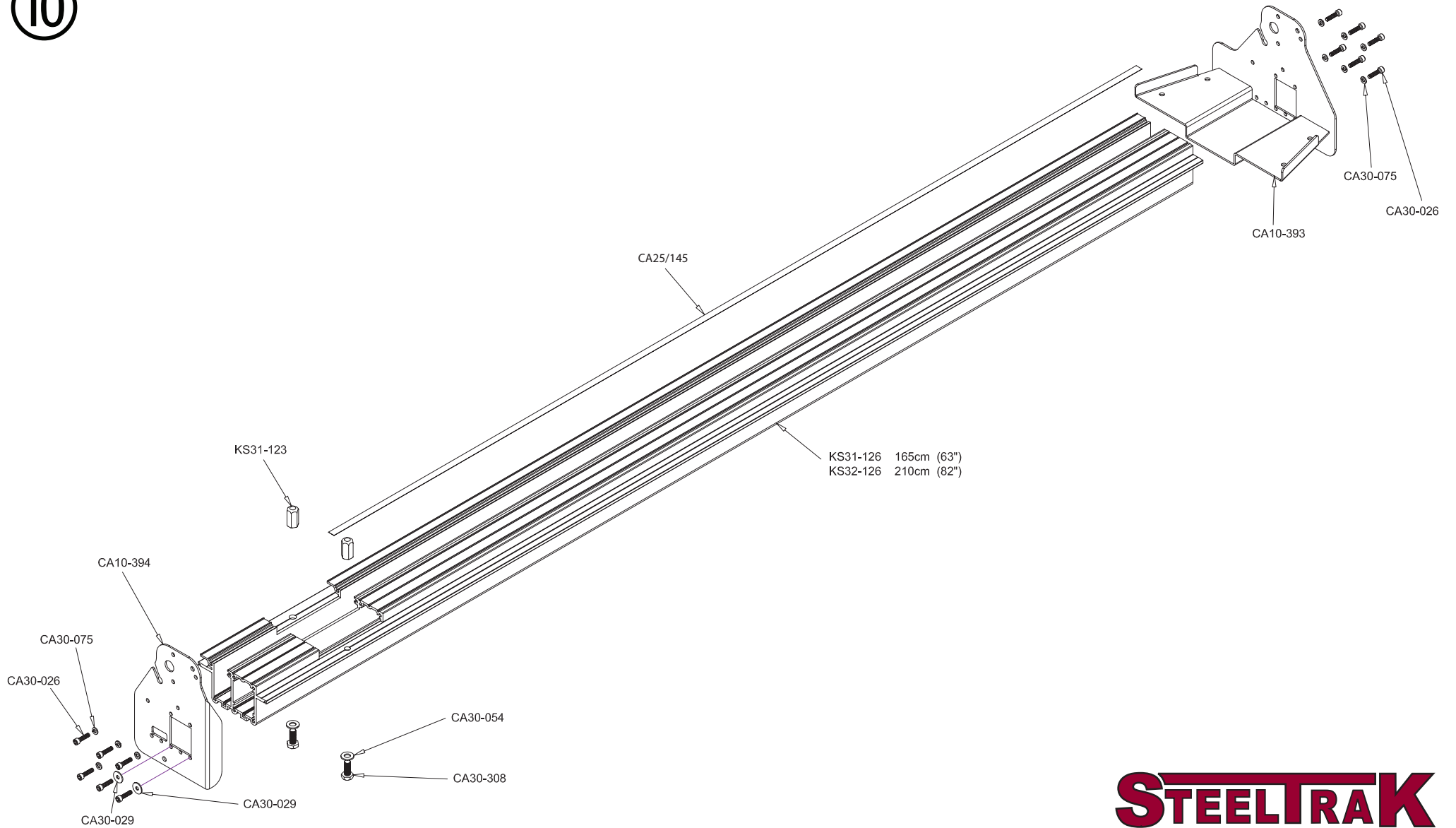
KS31-008 - Cutter Head Assembly Part C



69108- Medium-duty utility blades
69119- Superior Quality blades
69109- Acrylic scoring blades

KS31-009 - Spine Assembly

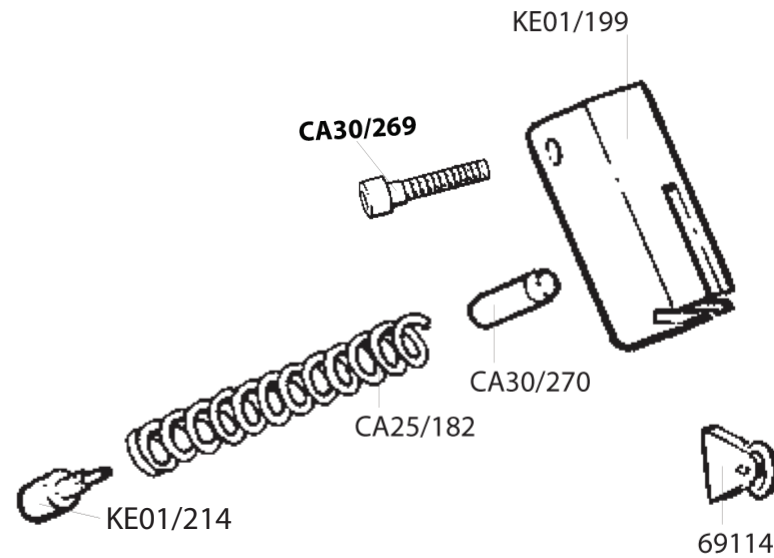
10



Glass Cutter Assembly

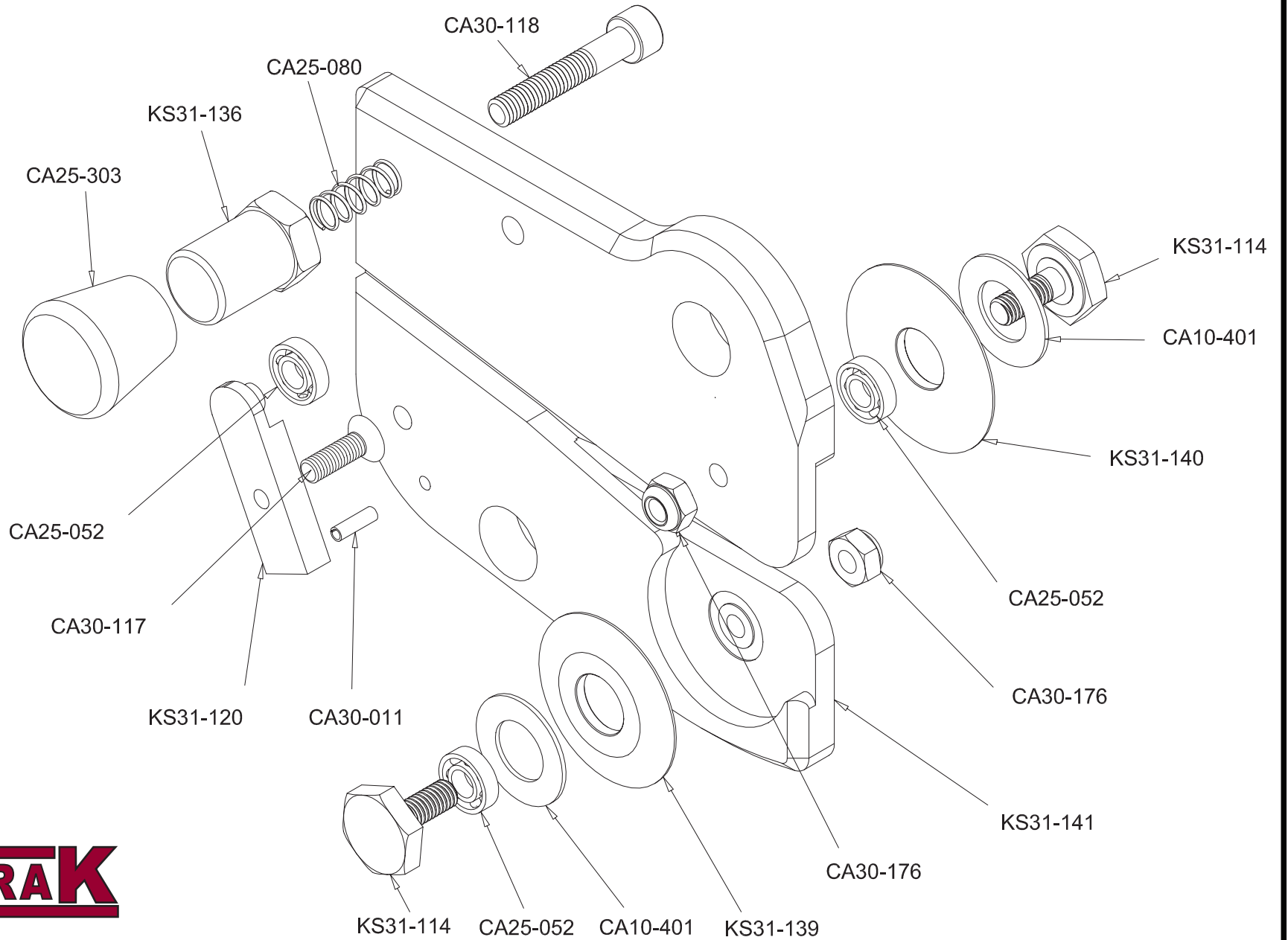
GCA Complete Glass Cutting Assembly.
Includes parts listed below

11



69127 - Aluminium TW Cutter Assembly

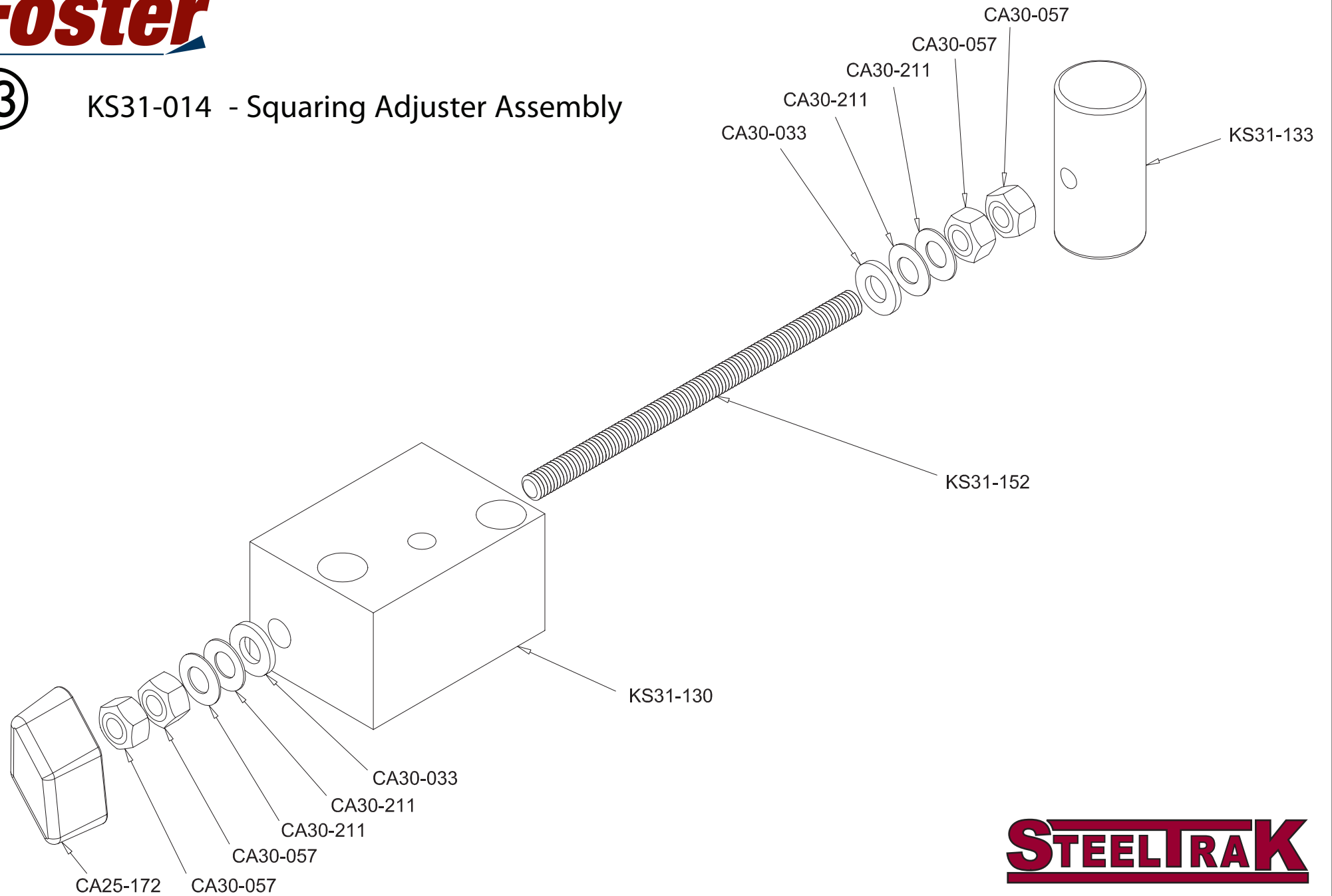
12



69128- Replacement
Cutting Wheels

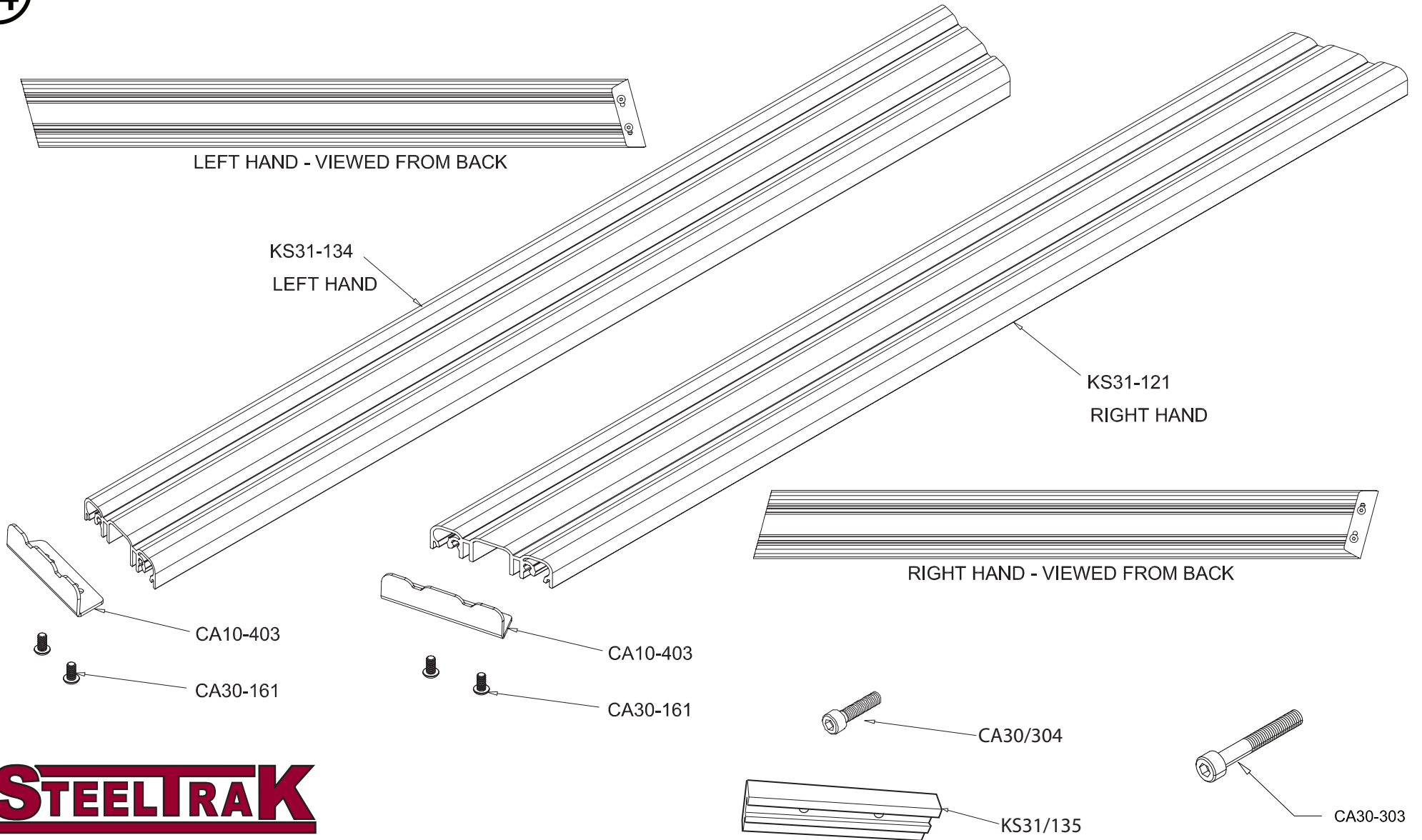
13

KS31-014 - Squaring Adjuster Assembly



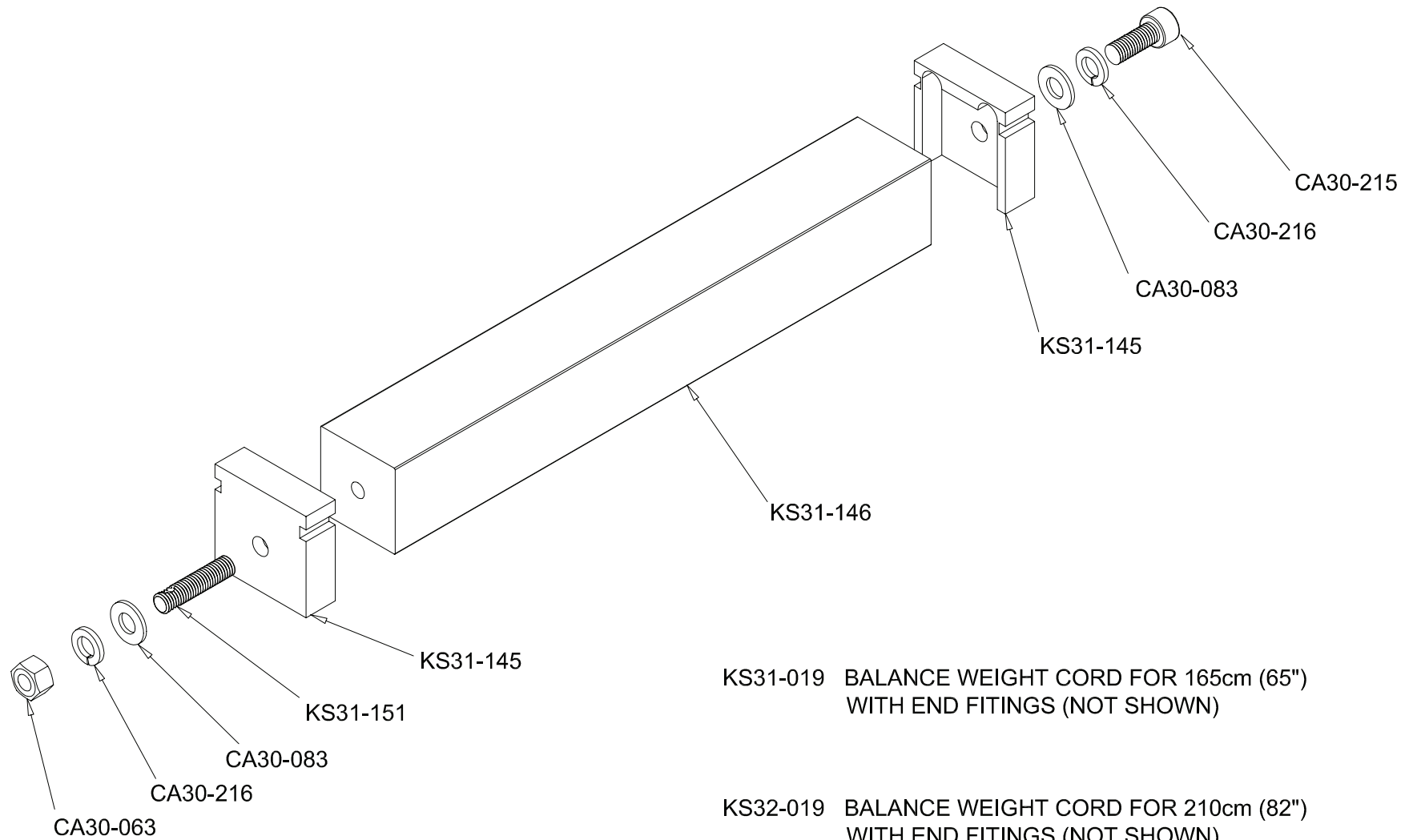
Support Arm Assemblies, Left Hand - KS31-015 , Right Hand - KS31-016

14

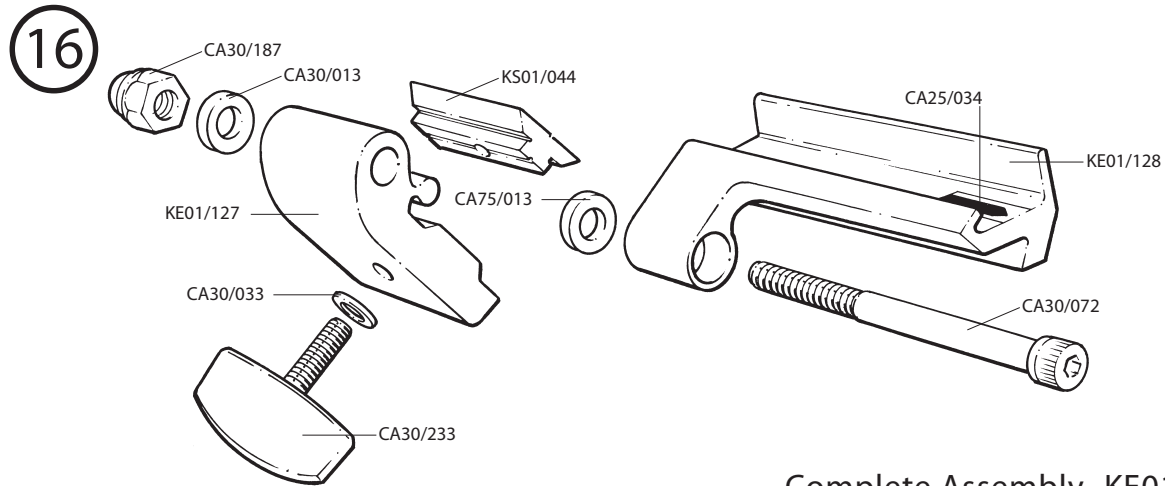


KS31-017 - Balance Weight Assembly

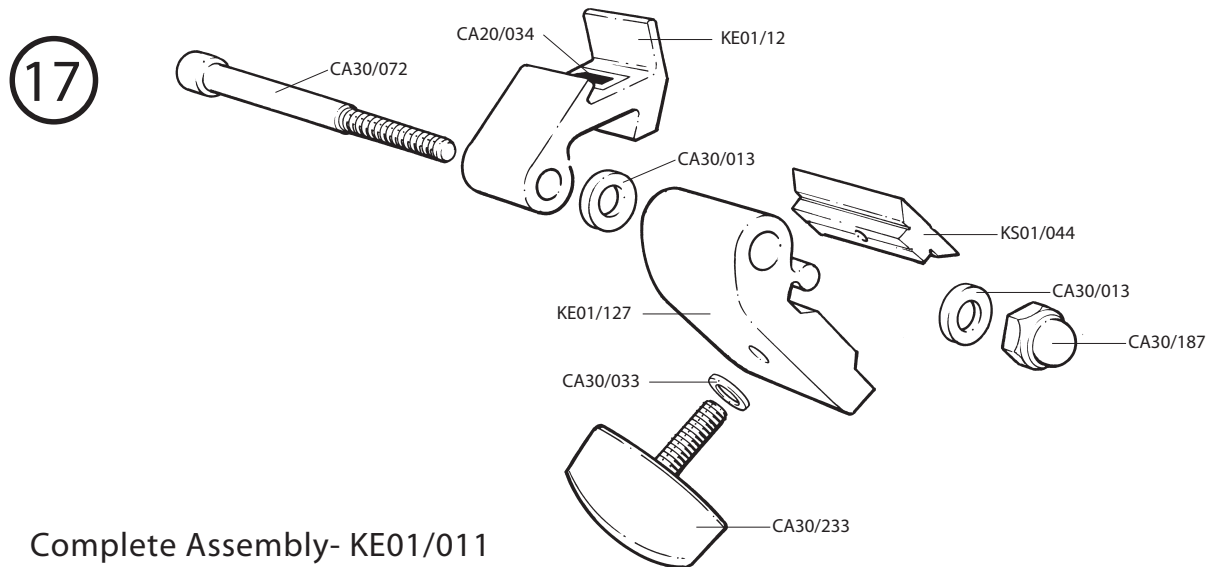
15



LEFT HAND FLIP STOP



RIGHT HAND FLIP STOP



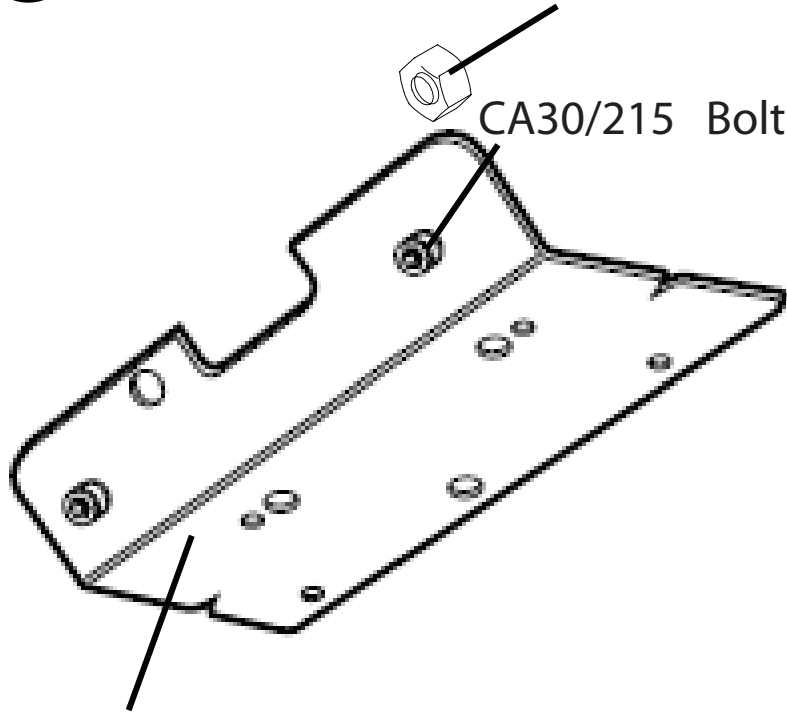
Foster

Wall Mount Bracket

18

CA30/063 M8 Nut

CA30/215 Bolt M8 x 20



CA10/407 Bracket for 65" SteelTraK
CA10/409 Bracket for 82" SteelTraK

STEELTRAK

19

CLAMP HOUSING ASSEMBLY KE01/012

