

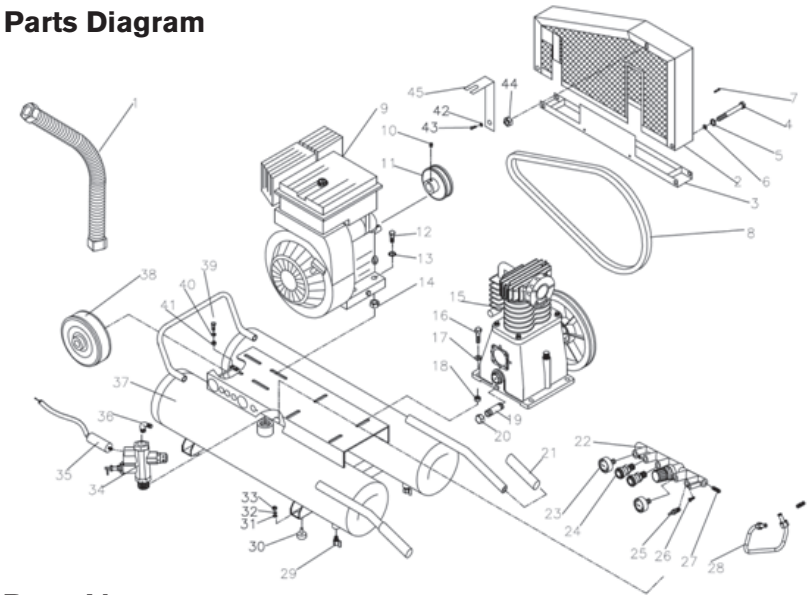


**WHEELED AIR
COMPRESSOR**

AC908HB

AC708RB/AC658HB/AC908HB

Parts Diagram

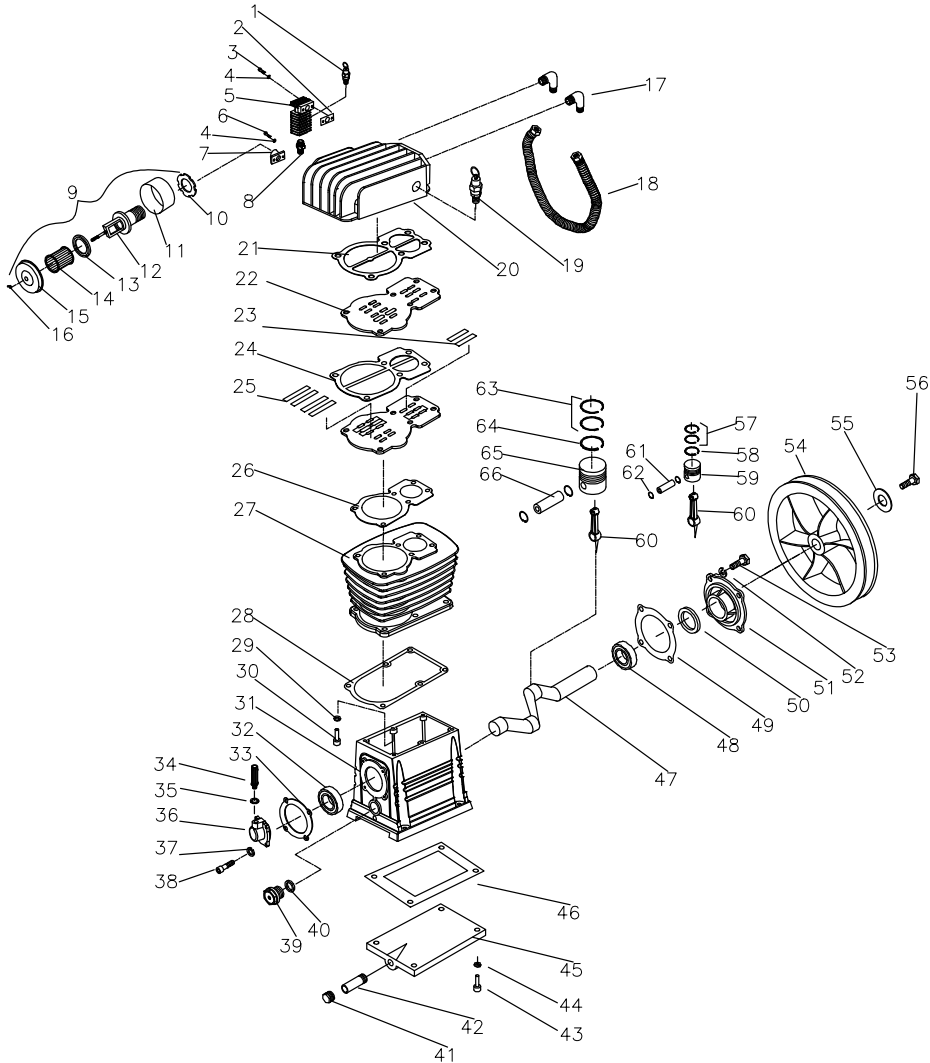


Parts List

No.	Description	Qty
1	Exhaust Pipe Assembly	1
2	Safety Guard	1
3	Safety Guard	1
4	Bolt	2
5	Spring Washer	2
6	Washer	2
7	M5x0.8x8 Screw	3
8	V-Belt	1
9	Engine	1
10	In-six Angle Bolt	1
11	Motor Pulley	1
12	Bolt	4
13	Spring Washer	4
14	Six Angle Nut	4
15	Pump	1
16	Bolt	4
17	Spring Washer	4
18	Six Angle Nut	4
19	Discharge tubing	1
20	Six Angle Nut	1
21	Grip, Handle	2
22	Manifold	1
23	Pressure Gauge	2

No.	Description	Qty
24	Quick Disconnect	2
25	Safety valve	1
26	Screw,Cross recess head	2
27	nipple	2
28	Pipe	1
29	Drain Cock	2
30	Foot Rubber Pad	4
31	8 Flat Washer	4
32	Spring Washer	4
33	Bolt	4
34	Pilot Unloader Valve	1
35	Gas Pedal	1
36	Exhaust Elbow	1
37	Air Tank	1
38	Tank Wheel	1
39	Screw,Cross recess head	2
40	Spring Washer	2
41	Six Angle Nut	2
42	Washer	2
43	Screw	1
44	Six Angle Nut	1
45	link span	1

AC908HB Pump



Parts List

No.	Description	Qty
1	Safety Valve	1
2	Cooler Washer	1
3	In-Six Angle Bolt	2
4	Spring Washer	4
5	Exhaust Cooler	1
6	In-Six Angle Bolt	2
7	Flange	1
8	Nipple	1
9	Air Filter Assy	1
10	Check Washer, Air Filter	1
11	Rear Cover, Air Filter	1
12	Connect Seat, Air Filter	1
13	Washer, Air Filter	1
14	Element, Air Filter	1
15	Front Cover, Air Filter	1
16	Nut	1
17	Cooler Elbow	2
18	Intercooler copper pipe	1
19	Safety Valve	1
20	Cylinder Head	1
21	Gasket, Cylinder Head	1
22	Valve Seat	2
23	Valve Plate	2
24	Al. Gasket	1
25	Valve Plate	4
26	Gasket, Cylinder	1
27	Cylinder	1
28	Gasket, Cylinder	1
29	Spring Washer	6
30	In-Six Angle Bolt	6
31	Crankcase	1
32	Bearing	1
33	Gasket, Bearing Cover	1
34	Breather	1
35	Washer, Breather	1
36	Bearing Cover	1
37	Spring Washer	4
38	In-Six Angle Bolt	4
39	Oil Leveler	1
40	Washer, Oil Leveler	1
41	Oil Drain Plug	1
42	Oil Drain pipe	1
43	In-Six Angle Bolt	4
44	Spring Washer	4
45	Soleplate	1
46	seat gasket	1
47	Crankshaft	1
48	Bearing	1
49	Gasket, Bearing Seat	1
50	Oil Seal	1
51	Bearing Seat	1
52	Spring Washer	6
53	Bolt	6
54	Pulley	1
55	Washer	1
56	Bolt	1
57	Compression Ring	2
58	Oil Ring	1
59	Piston	1
60	Connecting Rod	2
61	Piston Pin	1
62	Circlip for Hole	4
63	Compression Ring	2
64	Oil Ring	1
65	Piston	1
66	Piston Pin	1

No.	Description	Qty
39	Oil Leveler	1
40	Washer, Oil Leveler	1
41	Oil Drain Plug	1
42	Oil Drain pipe	1
43	In-Six Angle Bolt	4
44	Spring Washer	4
45	Soleplate	1
46	seat gasket	1
47	Crankshaft	1
48	Bearing	1
49	Gasket, Bearing Seat	1
50	Oil Seal	1
51	Bearing Seat	1
52	Spring Washer	6
53	Bolt	6
54	Pulley	1
55	Washer	1
56	Bolt	1
57	Compression Ring	2
58	Oil Ring	1
59	Piston	1
60	Connecting Rod	2
61	Piston Pin	1
62	Circlip for Hole	4
63	Compression Ring	2
64	Oil Ring	1
65	Piston	1
66	Piston Pin	1