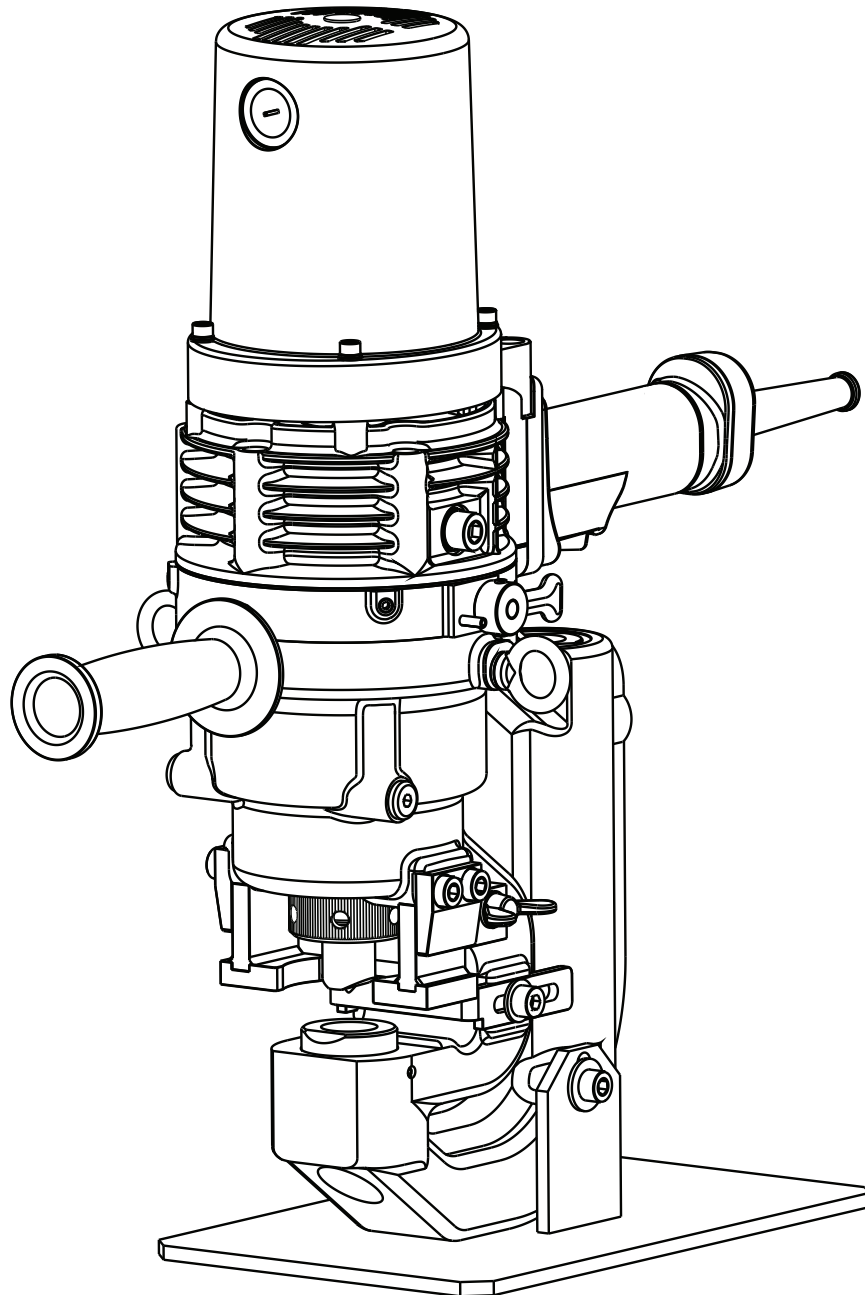


Hougen[®]-Ogura[™]

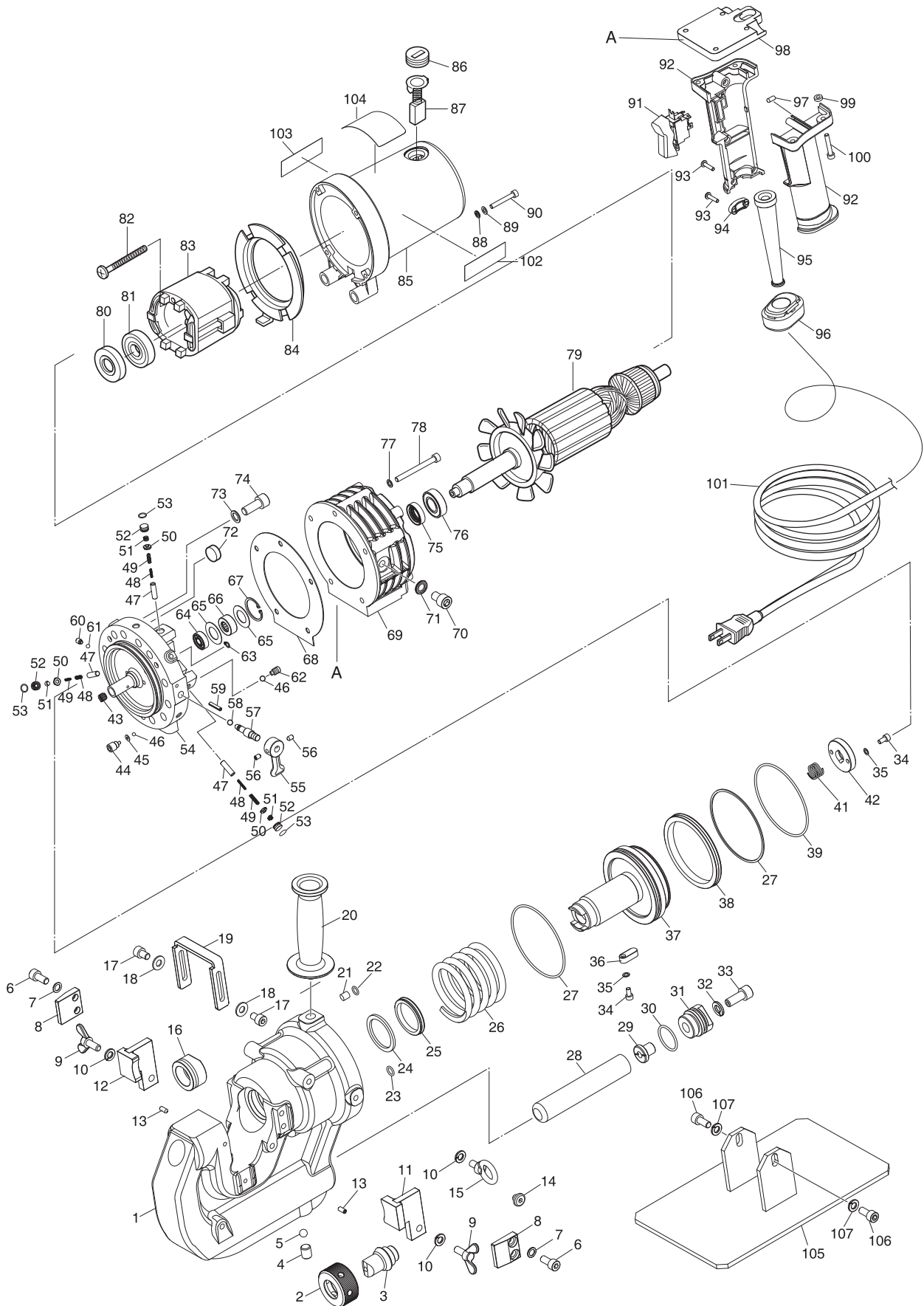
75006PR PUNCH PRO[™] ELECTRO-HYDRAULIC HOLE PUNCHER

OPERATOR'S MANUAL

COVERS HOLE PUNCHER PART NUMBERS 0756102 & 0756202



75006PR EXPLODED VIEW



PARTS LIST - 75006PR

Det #	Part #	Description	Qty
1	76500	"C" Frame	1
2	76501	Punch Retaining Nut	1
3		13/16" Punch	1
4	75357	SCR-SOC Set M12 x 15mm	1
5	75356	Ball-Steel 3/8"	1
6	75602	SCR-SHC M8 x 18mm	4
7	75159	Washer-Serrated Flat 8mm	4
8	76503	Sub Stripper	2
9	76504	Bolt 8 x 20mm	2
10	76111	Washer 8mm	4
11	76505	Stripper R	1
12	76506	Stripper L	1
13	75098	SCR-SOC Set M6 x 12mm	2
14	76507	Plug Bolt	2
15	75362	Eye Bolt	2
16	75605	Die 13/16" B	1
17	75314	SCR-SHC M6 x 12mm	2
18	75157	Washer - Flat 6mm	2
19	76508	Slide Stopper	1
20	75063	Handle Punch	1
21	76509	Spacer	2
22	75240	O-Ring	2
23	75195	O-Ring	1
24	75293	Back Up Ring	1
25	75294	Packing Rod Seal	1
26	76510	Punch Return Spring	1
27	75272	O-Ring	2
28	75344	Oil Bladder	1
29	75136	Screw Bladder	1
30	75355	O-Ring	1
31	75345	Screw-Bladder Bushing	1
32	75155	Washer 10mm	1
33	75138	Retaining Screw	1
34	75037	SOC-SHC M5 x 10mm	3
35	75835	Washer 5mm	3
36	76511	Punch Rod Key	1
37	76512	Punch Rod	1
38	75295	Packing	1
39	75306	Ring Back Up	1
41	76514	Valve Return Spring	1
42	76515	Stopper Plate	1
43	76516	Release Valve Spring	1
44	76517	Seal Bolt	1
45	76518	Washer - 3mm	1
46	75208	Ball - Steel 4mm	4
47	75270	Piston - Pump	3
48	75341	Spring - Piston Return B	3
49	75340	Spring - Piston Return A	3
50	75050	Valve - Check	3
51	75052	Spring - Check Valve	3
52	75325	Packing	3
53	75326	O-Ring	3
54	76519	Cylinder with Piston	1
55	75047	Lever - Return	1
56	75160	SCR-SOC Set M6 x 8mm	2
57	75046	Return Valve	1
58	75085	O-Ring	1
59	75100	Pin - Roll 4 x 20mm	1
60	76520	SCR-SOC Set M6 x 8mm	6

Det #	Part #	Description	Qty
61	76521	Ball - Steel 3/16	6
62	76522	SCR-SOC Set M5 x 6mm	3
63	76523	Stop Ring	1
64	75086	Bearing - Ball	1
65	75271	Needle Holder	2
66	75088	Bearing - Needle	1
67	75298	Ring - Retaining	1
68	76524	Liner	1
69	76525	Pump Case	1
70	75107	SOC-SHC M10 x 15mm	1
71	75090	Seal Washer	1
72	75054	Magnet	2
73	75353	Washer - Flat 10mm	12
74	75316	SOC-SHC M10 x 25mm	12
75	76526	Oil Seal	1
76	75297	Bearing - Oil	1
77	75872	Washer - Flat 6mm	5
78	76527	SOC-SHC M6 x 60mm	5
79	76528	Armature Set (120V)	1
	76529	Armature Set (230V)	
80	76530	Insulator Washer	1
81	76531	Bearing - Ball	1
82	76532	SOC-SHC M5 x 80mm	2
83	76533	Field (120V)	1
	76534	Field (230V)	
84	76535	Fan Guide	1
85	76536	Motor Case	1
86	76537	Brush Cap	2
87	76538	Carbon Brush (Pair)	1
88	75835	Washer - Flat 5mm	4
89	75836	Washer - Spring 5mm	4
90	76539	SCR-SHC M5 x 35mm	4
91	76540	Trigger Switch	1
92	76541	Handle	1
93	76542	Screw 4 x 8mm	6
94	76543	Cord Clamp (120V)	1
	76446	Cord ClamP (230V)	
95	76544	Strain Relief (120V)	1
	76449	Strain Relief (230V)	
96	76545	Rubber	1
97	76546	Rubber Pin	1
98	76547	Grip Base	1
99	76548	Packing Washer	4
100	76549	SCR-SHC M5 x 30mm	4
101	75870	Electric Supply (120V)	1
	76541	Electric Supply (230V)	
	76477	Electric Supply (230V Type I)	
102	75865	Caution Label	1
103	76550	Name Label (120V)	1
	76551	Name Label (230V)	
104	76454	Warning Label	1
105	76552	Work Stand	1
106	76502	SCR-SHC M8 x 18mm	2
107	76553	Washer - Flat 8mm	2

ROUND PUNCHES AND DIES FOR 75006PR

ROUND PUNCH				MATERIAL	DIE		
Nominal	Size		Part No.	Thickness	Size	Part No.	
	Actual	Metric					
7/16"	.433	11mm	76359	5/64 (.078) to 1/8 (.125) 14 to 11 GA.	Die 7/16 SA	75578	
				5/64 (.078) to 3/8 (.375) 14 to 3 GA.	Die 7/16 SB	75579	
				5/16 (.312) Max.	Die 7/16 CC	75616	
1/2"	.512	13mm	76360	5/64 (.078) to 1/8 (.125) 14 to 11 GA.	Die 1/2 SA	75581	
				5/64 (.078) to 3/8 (.375) 14 to 3 GA.	Die 1/2 SB	75582	
				5/16 (.312) Max.	Die 1/2 CC	75617	
9/16"	.551	14mm	76361	5/64 (.078) to 1/8 (.125) 14 to 11 GA.	Die 9/16 SA	75584	
				5/64 (.078) to 1/2 (.512) 14 to 3 GA.	Die 9/16 SB	75585	
				5/16 (.312) Max.	Die 9/16 CC	75618	
5/8"	.625	15.9mm	76362	5/64 (.078) to 1/8 (.125) 14 to 11 GA.	Die 5/8 SA	75588	
				5/64 (.078) to 1/2 (.512) 14 to 3 GA.	Die 5/8 SB	75589	
				5/16 (.312) Max.	Die 5/8 CC	75620	
11/16"	.688	17.5mm	76363	5/64 (.078) to 1/8 (.125) 14 to 11 GA.	Die 11/16 SA	75592	
				5/64 (.078) to 1/2 (.512) 14 to 3 GA.	Die 11/16 SB	75593	
				5/16 (.312) Max.	Die 11/16 CC	75622	
3/4"	.750	19mm	76364	5/64 (.078) to 1/8 (.125) 14 to 11 GA.	Die 3/4 SA	75596	
				5/64 (.078) to 1/2 (.512) 14 to 3 GA.	Die 3/4 SB	75597	
				5/16 (.312) Max.	Die 3/4 CC	75624	
25/32"	.787	20mm	76365	5/64 (.078) to 1/8 (.125) 14 to 11 GA.	Die 25/32 SA	75600	
				5/64 (.078) to 1/2 (.512) 14 to 3 GA.	Die 25/32 SB	75601	
				5/16 (.312) Max.	Die 25/32 CC	75626	
13/16"	.812	20.6mm	76366	5/64 (.078) to 1/8 (.125) 14 to 11 GA.	Die 13/16 SA	75604	
				5/64 (.078) to 1/2 (.512) 14 to 3 GA.	Die 13/16 SB	75605	
				5/16 (.312) Max.	Die 13/16 CC	75628	
7/8"	.875	22.2mm	76367	5/64 (.078) to 1/8 (.125) 14 to 11 GA.	Die 7/8 SA	75608	
				5/64 (.078) to 1/2 (.512) 14 to 3 GA.	Die 7/8 SB	75609	
				5/16 (.312) Max.	Die 7/8 CC	75630	
15/16"	.938	23.8mm	76368	5/64 (.078) to 1/8 (.125) 14 to 11 GA.	Die 15/16 SA	75612	
				5/64 (.078) to 15/32 (.472) 14 to 3 GA.	Die 15/16 SB	75613	

OBLONG PUNCH				MATERIAL	DIE		
Nominal	Size		Part No.	Thickness	Size	Part No.	
	Actual	Metric					
7/16" x 5/8"	.433 x .625	11mm x 15.9mm	76369	5/64 (.078) to 1/8 (.125) 14 to 11 GA.	Die 7/16 x 5/8 A	75709	
				5/64 (.078) to 3/8 (.375) 14 to 3 GA.	Die 7/16 x 5/8 B	75710	
				5/16 (.312) Max.	Die 7/16 x 5/8 CC	75723	
1/2" x 3/4"	.512 x .750	13mm x 19mm	76370	5/64 (.078) to 1/8 (.125) 14 to 11 GA.	Die 1/2 x 3/4 A	75712	
				5/64 (.078) to 1/2 (.512) 14 to 3 GA.	Die 1/2 x 3/4 B	75713	
				5/16 (.312) Max.	Die 1/2 x 3/4 CC	75724	
9/16" x 13/16"	.551 x .827	14mm x 20.6mm	76371	5/64 (.078) to 1/8 (.125) 14 to 11 GA.	Die 9/16 x 13/16 A	75715	
				5/64 (.078) to 1/2 (.512) 14 to 3 GA.	Die 9/16 x 13/16 B	75716	
				5/16 (.312) Max.	Die 9/16 x 13/16 CC	75725	
11/16" x 13/16"	.688 x .827	17.5mm x 20.6mm	76372	5/64 (.078) to 1/8 (.125) 14 to 11 GA.	Die 11/16 x 13/16 A	75719	
				5/64 (.078) to 1/2 (.512) 14 to 3 GA.	Die 11/16 x 13/16 B	75720	
				5/16 (.312) Max.	Die 11/16 x 13/16 CC	75727	