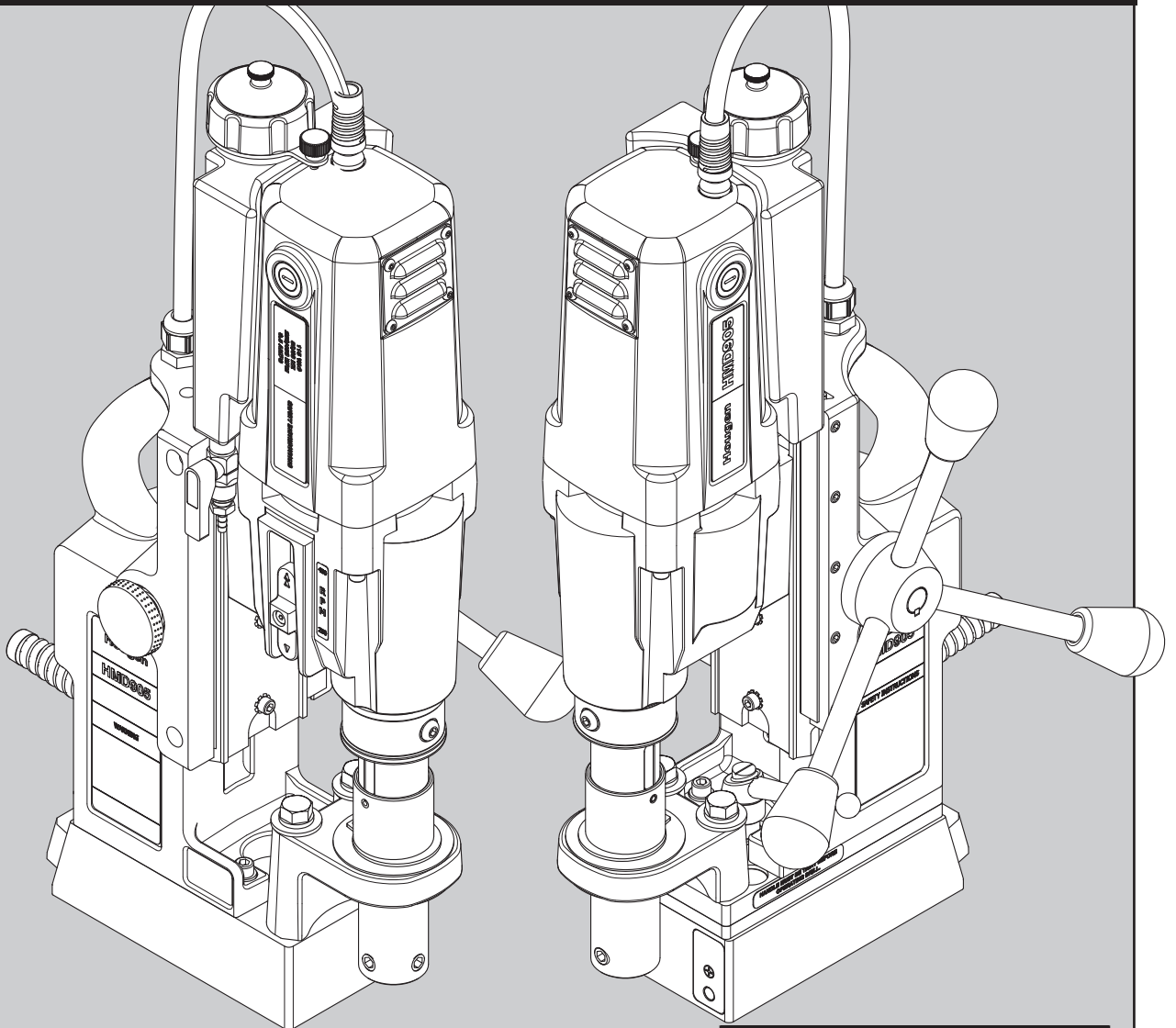




# OPERATOR'S MANUAL

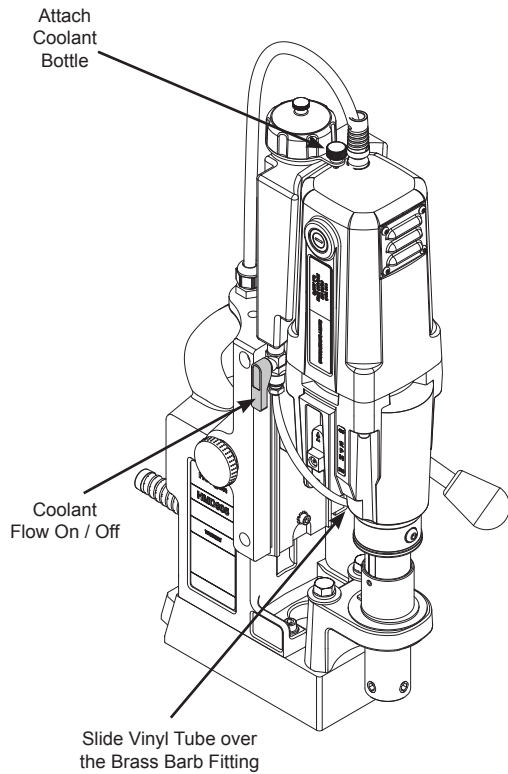
## HMD905 SERIES PORTABLE MAGNETIC DRILL



**Covers Drill  
Part Numbers:**

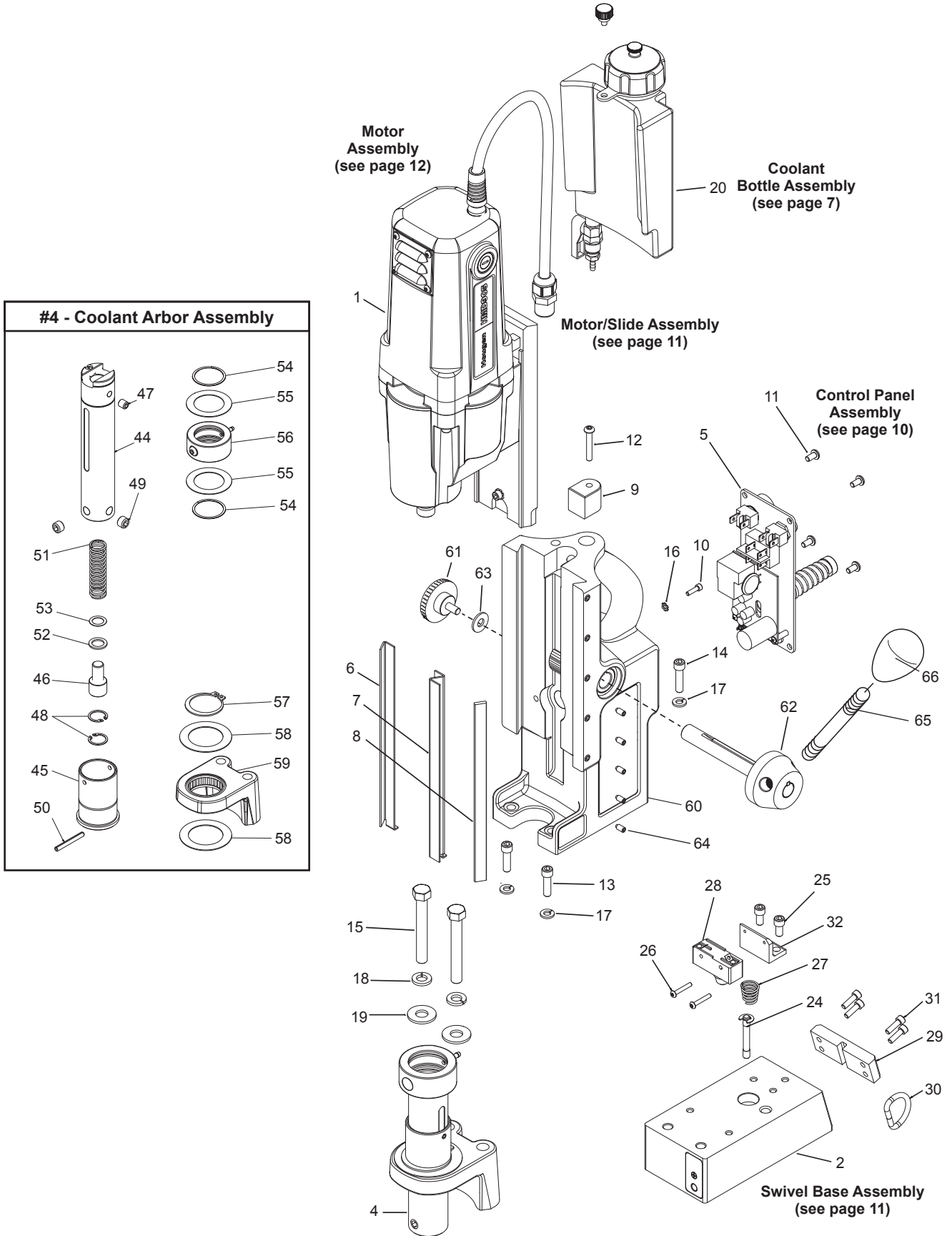
0905202	0905302	0905402
0905204	0905304	0905402

## COOLANT BOTTLE ASSEMBLY



07950 Coolant Bottle Assembly	
Part #	Description
08255	Round Bottle
08061	Coolant Bottle Bracket (Bottle to Bracket)
41044	SCR-BHC 10-32 x 3/8
05065	Ball Valve
05067	Brass Barb Fitting (bottom of the bottle)
40304	Vinyl Tube
07080	Brass Fitting (vinyl tube to coolant inducer)
24124	Coolant Bottle Cap

# HMD905 MAG BASE DRILL



HMD905 Breakdown			
Item	Part #	Description	Qty
1	08016	Motor / Slide Assy.	1
4	07831	Coolant Arbor Assy. Non-Swivel	1
	08115	Coolant Arbor Assy. Swivel	1
5	08019	Control Panel	1
6	02429	Gib, Brass, Right Hand	1
7	02430	Gib, Brass, Left Hand	1
8	02431	Gib Steel	1
9	07833	Stop Block	1
10	17002	SCR SHC #6-32 x 1/2 LG	1
11	41044	SCR BHC #10-32 x 3/8 LG	4
12	10559	SCR BHC #10-32 x 1-1/4 LG	1
13	10553	SCR SHC 1/4-20 x 7/8 LG	2
14	40077	SCR SHC 1/4-20 x 1" LG	1
15	40594	Hex Bolt 3/8-24 x 2-3/4 LG Non-Swivel	2
	07088	Hex Bolt 3/8-24 x 2-3/4 LG Swivel	2
16	90052	Lock Washer Ext. #6	1
17	90028	Lock Washer Helical 1/4	3
18	40391	Lock Washer Helical 3/8	2
19	40392	Washer Flat 3/8 Type A	2
20	07950	Coolant Bottle Assembly	1
Accessories Included			
	10565	Hex Key 1/8 wrench	1
65	10569	Feed Handles	3
66	04532	Feed Handle Knobs	3
	90724	Safety Chain 3/16 X 5' w/Snap Hook	1
	08077	Carrying Case w/Label	1

08103 Magnet Assembly			
Item	Part #	Description	Qty
2	08014	Magnet - Standard	1
24	04910	Plunger Assembly	1
25	10971	SCR SHC 1/4-20 x 1/2" LG	2
26	10972	SCR BHC #6-32 x 7/8" LG	2
27	17271	Spring - Taper, Comp.	1
28	04885	Safety Switch Assy.	1
29	07887	Plate - Ring Retaining	1
30	24144	D-Ring	1
31	41046	SCR SHC #10-32 x 1/2" LG	4
32	04909	Bracket - Safety Switch	1

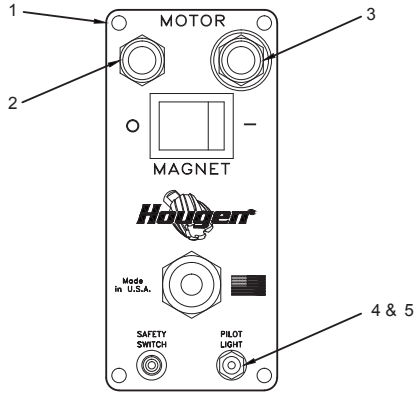
Swivel Base Assembly (see page 11)

07941 Arbor & Front Support Bracket 08112 Arbor & Front Support Bracket Swivel			
Item	Part #	Description	Qty
33	07942	Arbor - Non Coolant	1
34	10517	Ring - Retaining Internal	2
35	07079	Spring Seat	1
36	05049	Spring - Comp	1
37	07162	Collar, Ejector	1
38	40312	Pin-Roll 3/16 dia x 1.564 Altered	1
39	40222	SCR Set 7/16-14 x .305	2
40	40256	SCR Set 5/16-18 x 3/8 Oval Pt	1
41	40398	Ring - Retaining	1
42	40234	Washer, Thrust	2
43	07870	Front Support Bracket Assy. Non-Swivel	1
	08113	Front Support Bracket Assy. Swivel	1

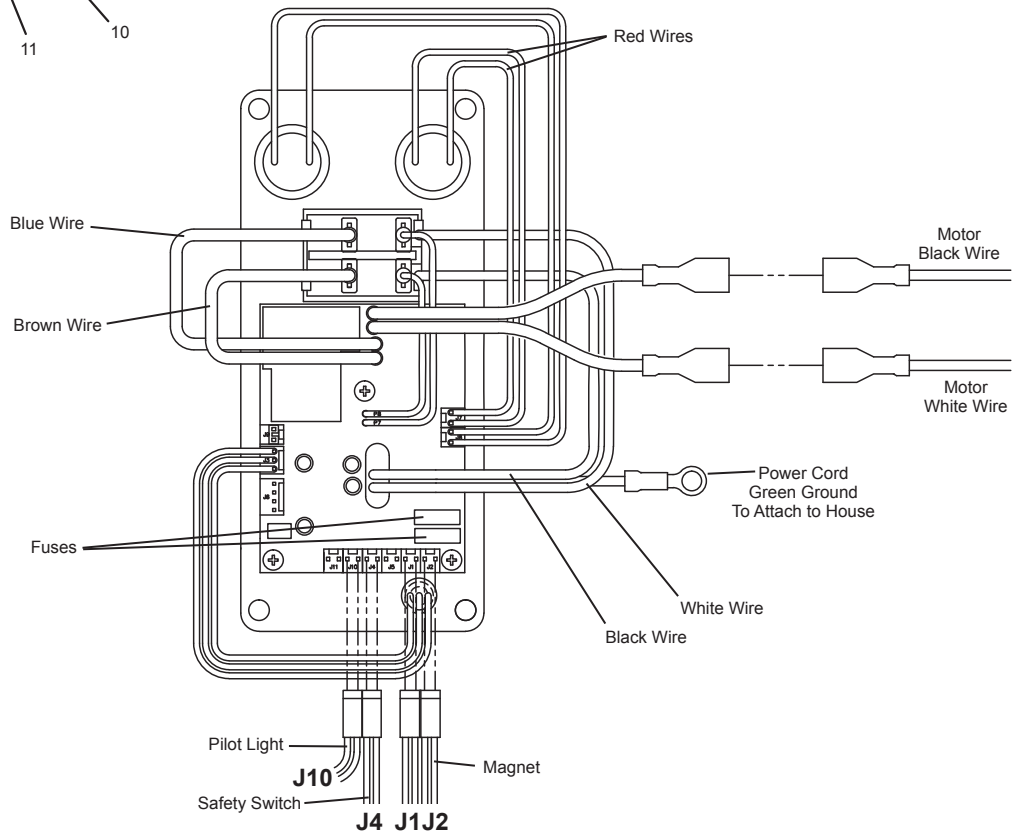
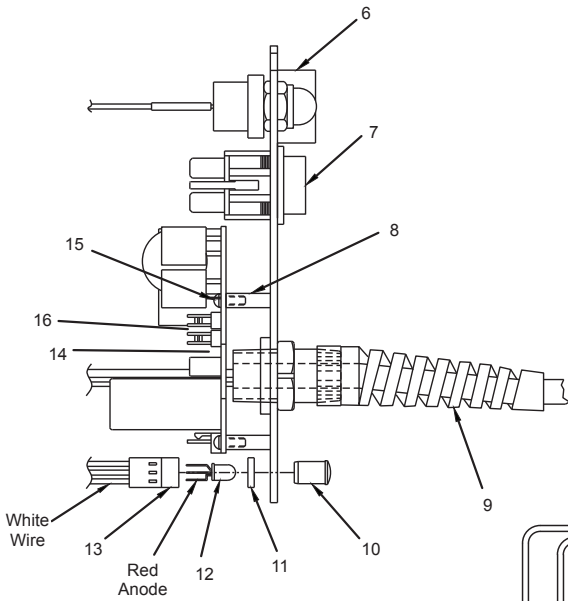
07831 Arbor Assembly 08115 Arbor Assembly - Swivel			
Item	Part #	Description	Qty
44	07872	Arbor Body	1
45	07162	Collar Ejector	1
46	07079	Spring Seat	1
47	40256	SCR Set 5/16-18 x 3/8 Oval Pt	1
48	10517	Ring - Retaining Internal	2
49	40222	SCR Set 7/16-14 x .305	2
50	40312	Pin-Roll 3/16 dia x 1.564 Altered	1
51	05049	Spring - Comp	1
52	07436	Washer - Rubber	1
53	07440	Washer - Shim 12 x 18 x .5mm	1
54	40302	Ring - Retaining	2
55	40301	Washer, Thrust 1-3/8 x 2-1/16 x 1/32	2
56	07445	Coolant Inducer	1
	40300	O-Ring (not shown)	1
	07447	Hose Fitting (not shown)	1
	07082	SCR BHC 1/4-28 x 1/4 (not shown)	1
57	40398	Ring - Retaining	1
58	40234	Washer, Thrust	2
59	07870	Front Support Bracket Assy.	1
	08113	Front Support Bracket Assy. - Swivel	1

07949 Housing Assembly			
Item	Part #	Description	Qty
60	07993	Drill Housing Assembly	1
61	05839	Knob - Comfort Rubber Grip	1
62	40254	Hub Assembly	1
63	10679	Washer - Flat 1/4 Type A	1
64	40237	Gib Screws	5

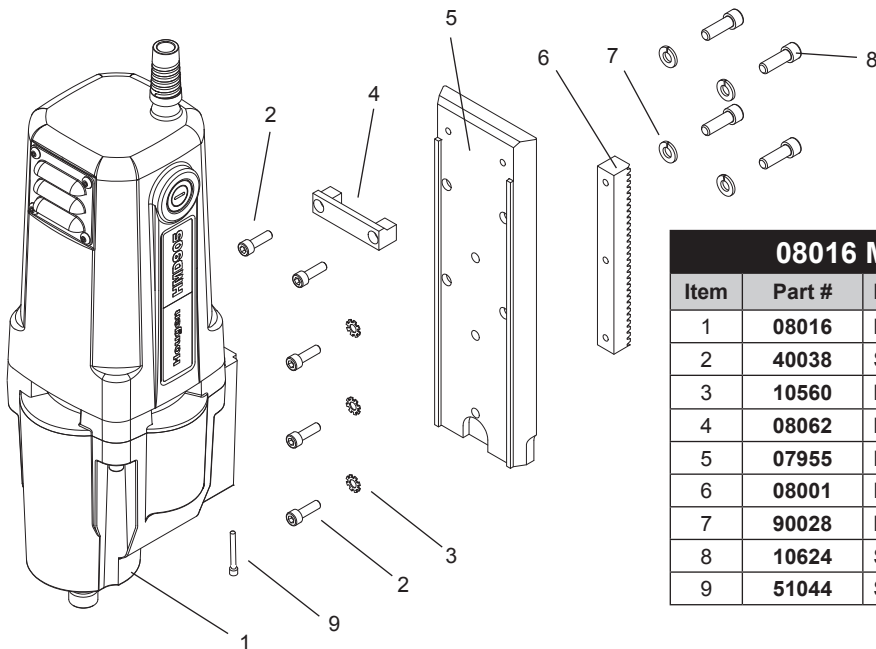
# CONTROL PANEL BREAKDOWN & WIRING



08019 Panel Assembly 08022 Panel Assembly - Type I			
Item	Part #	Description	Qty
1	08057	Faceplate	1
2	01335	Switch - Motor Off	1
3	01334	Switch - Motor On	1
4	05335	Mini Toggle Switch Assy.	1
5	05336	Mini Toggle Switch Boot	1
6	01226	Guard Switch	1
7	04614	Magnet Switch	1
8	02548	Stand Off	3
9	07299	Power Cord Assembly	1
	08287	Power Cord Assy - Type I	1
10	04879	Lens Clear L.E.D.	1
11	04878	Spacer L.E.D.	1
12	04881	Bulb L.E.D.	1
13	04877	Wire Harness L.E.D.	1
14	08673	Circuit Board - 230V	1
15	02547	SCR #4-40 x 5/16 LG	3
16	07522	Fuse	2

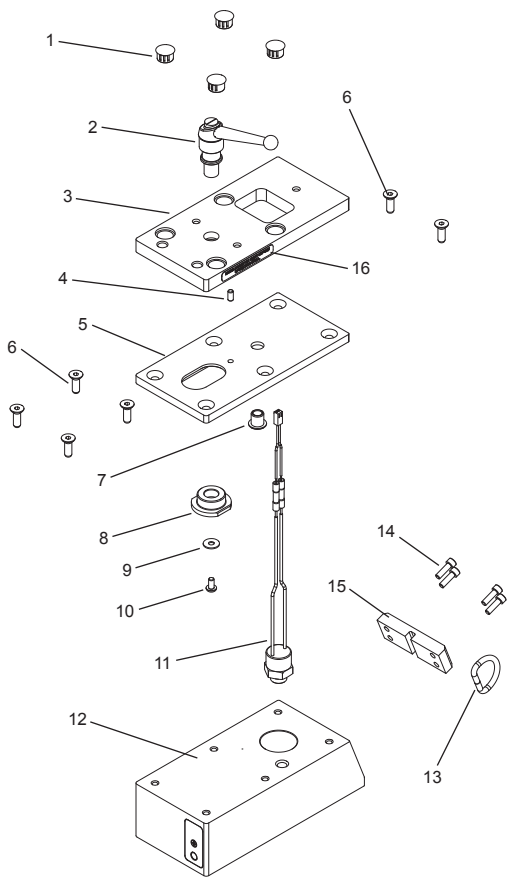


**MOTOR SLIDE ASSEMBLY BREAKDOWN**



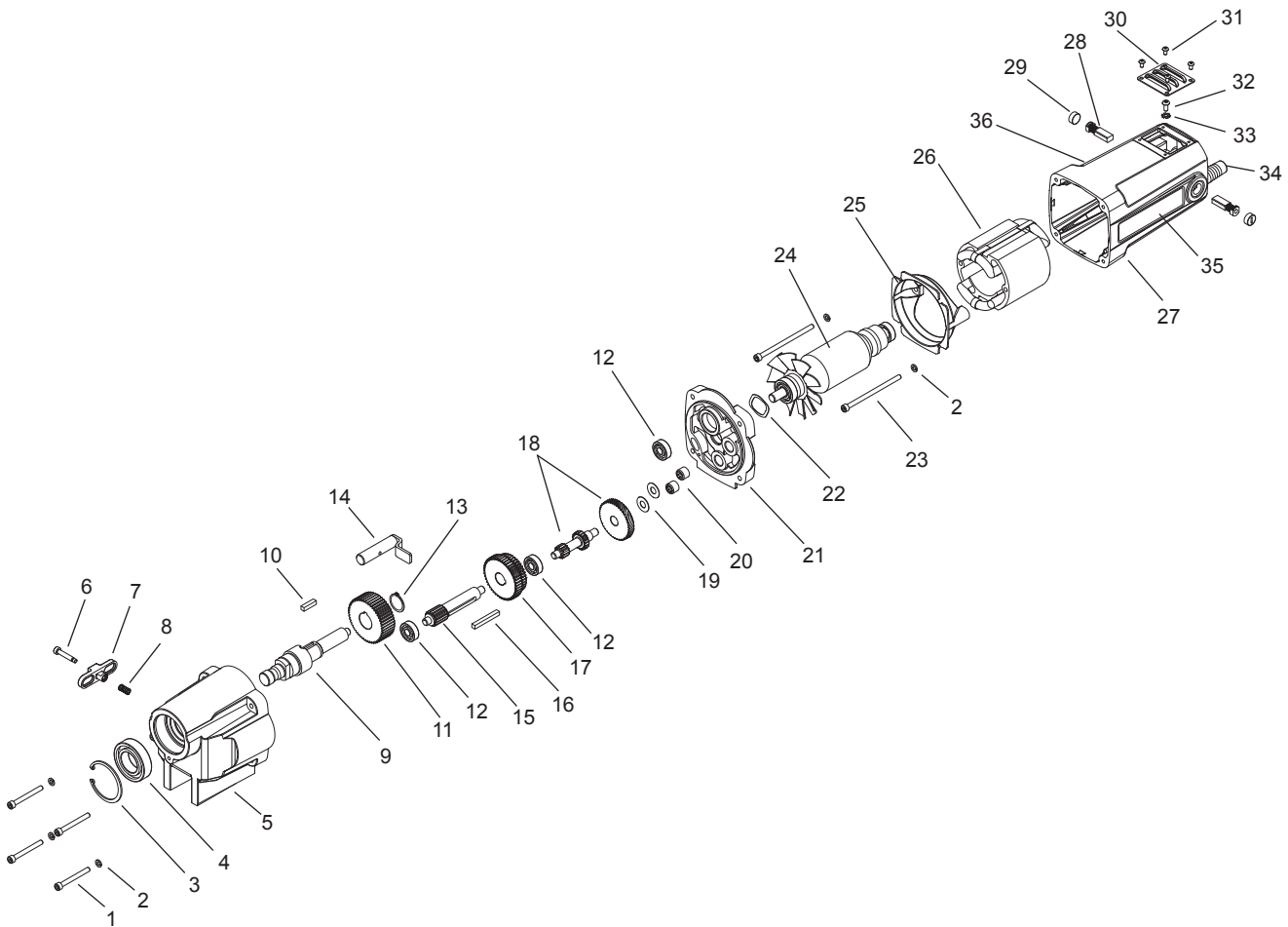
08016 Motor & Slide Assembly			
Item	Part #	Description	Qty
1	08016	Motor Complete Assembly	1
2	40038	SCR BHC #10-32 x 5/8 LG	5
3	10560	Lock Washer Ext. #10	3
4	08062	Bottle Support	1
5	07955	Dovetail Slide	1
6	08001	Rack Gear	1
7	90028	Lock Washer - Helical 1/4	4
8	10624	SCR SHC 1/4-20 x 3/4	4
9	51044	SCR SHC #1-32 x 1-1/4	1

**SWIVEL BASE MAGNET ASSEMBLY BREAKDOWN**



08103 Swivel Magnet Assembly			
Item	Part #	Description	Qty
1	07216	Plug Hole	4
2	05659	Clamp Handle Assembly	1
3	08094	Swivel Plate	1
4	02898	Dowel Pin	1
5	08095	Slide Plate	1
6	05743	SCR FHC 1/4-20 x 3/4 LG	6
7	07215	Bushing - Flange	1
8	05658	Pivot - Rod	1
9	90237	Washer - Flat #10	1
10	41044	SCR BHC #10-32 x 3/8 LG	1
11	05652	Safety Switch Assy	1
12	08104	Magnet & Safety Switch Assy	1
	05653	Plunger (not shown)	1
13	24144	D - Ring	1
14	41046	SCR SHC #10-32 x 1/2" LG	4
15	07887	Plate - Retaining Ring	1
16	07230	Label - Swivel Warning	1

# MOTOR PARTS DIAGRAM



## 08017 Motor Assembly

Item	Part #	Description	Qty	Item	Part #	Description	Qty
1	08234	SCR SHC #10-32 X 1-5/8 LG	4	21	07969	Gear Box Cover	1
2	50038	Washer - Lock Helical #10	6	22	08070	Washer - Spring	1
3	07860	Retaining Ring	1	23	08025	SCR - SHC #10-32 x 3-1/4 LG	2
4	40274	Bearing 25mm x 47mm x 12mm	1	24	07956	Armature Assembly 115V	1
5	07966	Gear Box Housing	1	25	07958	Baffle	1
6	08069	SCR - Shslld 3/16 x 7/8	1	26	08046	Field 230V	1
7	07908	Switch	1	27	07953	Motor/Brush Holder Assembly	1
9	07976	Spindle - Motor Drive	1	28	07961	Carbon Brushes	2
10	07904	Key - 3/16 x 3/16 x 3/4	1	29	07960	Brush Holder Cap	2
11	07975	Gear Spur Removable - 49 Tooth	1	30	07848	Cover - Brush Access	1
12	24100	Ball Bearing	3	31	02385	SCR BHC #6-32 x 1/4	4
13	24160	Retaining Ring	1	32	41042	SCR BHC #8-32 x 3/8 LG	1
14	07977	Shift Control Rod Arm	1	33	10538	Washer - Lock #8	1
15	07974	Gear Spur Removable - 15 Tooth	1	34	08336	Motor Cord	1
16	07978	Key - 3/16 x 3/16 x 1-1/2	1	35	07936	Motor Label	1
17	07973	Assembly - Change Gear 250/450	1	36	08044	Motor Specs Label	1
18	07972	Assembly - Gears #2 & #3	1				
19	17610	Washer - Flat 8mm	2				
20	07903	Needle Bearing	2				