

Earthquake®

Groundbreaking Power Equipment

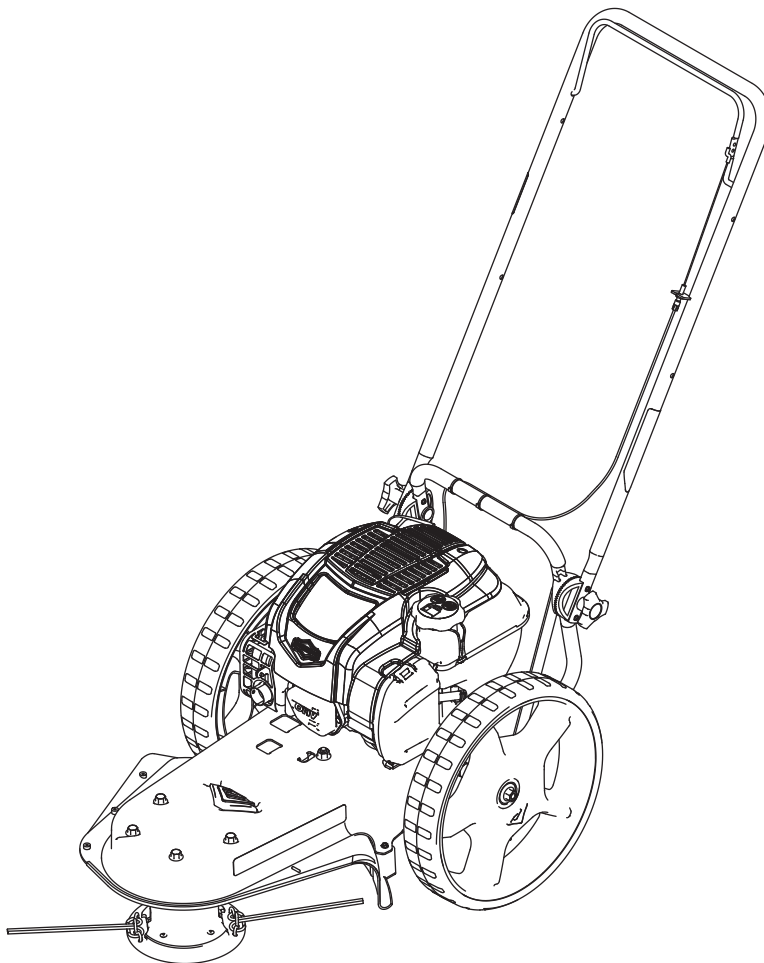
Illustrated Parts Breakdown
Illustration des pièces détachées

**Model Number,
Numéros de modèle :**
37676

ENGLISH

FRANÇAIS

S/N

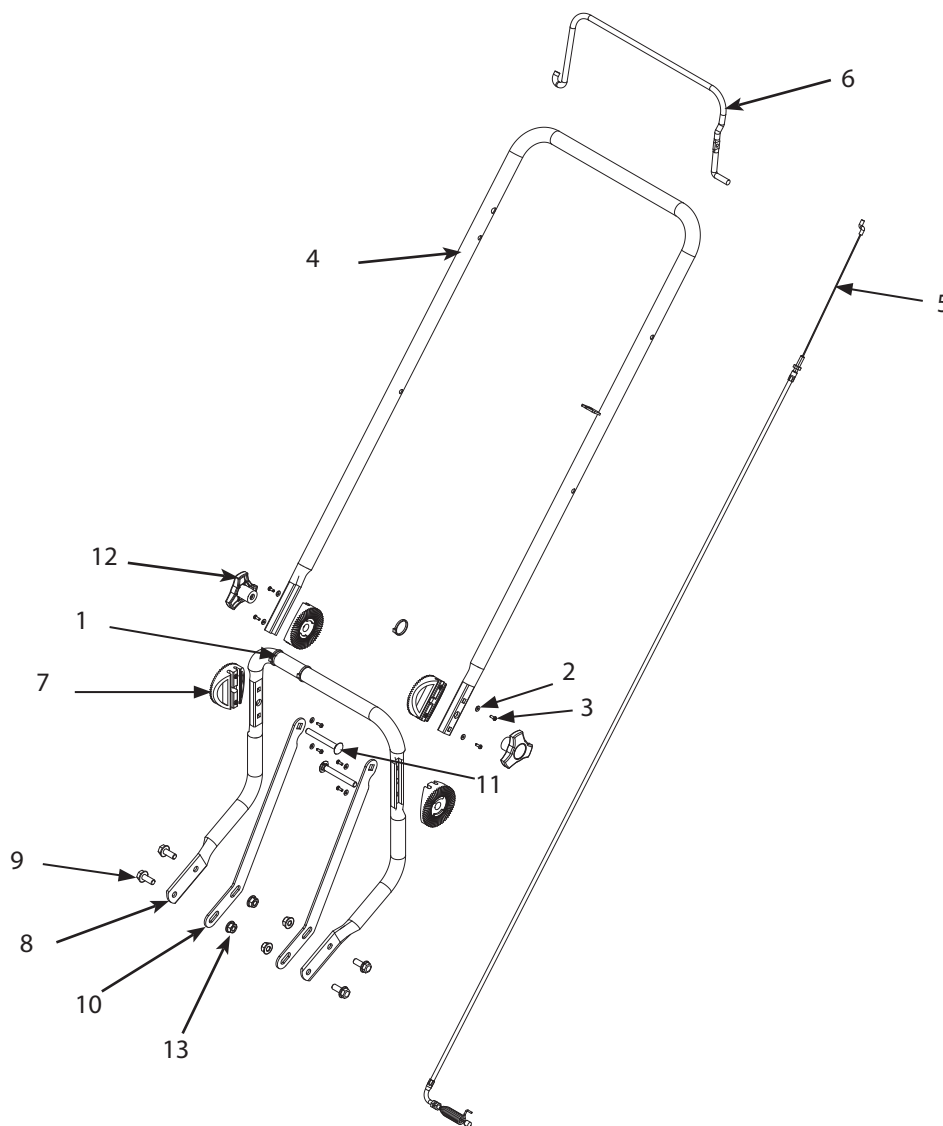


© 2021 Ardisam
All Rights Reserved
Tous droits réservés
P/N: 38054
ECN: 13154
REV 1: 10/27/2020



THIS INSTRUCTION BOOKLET CONTAINS IMPORTANT SAFETY INFORMATION. PLEASE READ AND KEEP FOR FUTURE REFERENCE.
CE LIVRET D'INSTRUCTIONS CONTIENT DES INFORMATIONS IMPORTANTES SUR LA SÉCURITÉ. VEUILLEZ LE LIRE ET LE CONSERVER POUR TOUTE CONSULTATION EXTÉRIEURE.

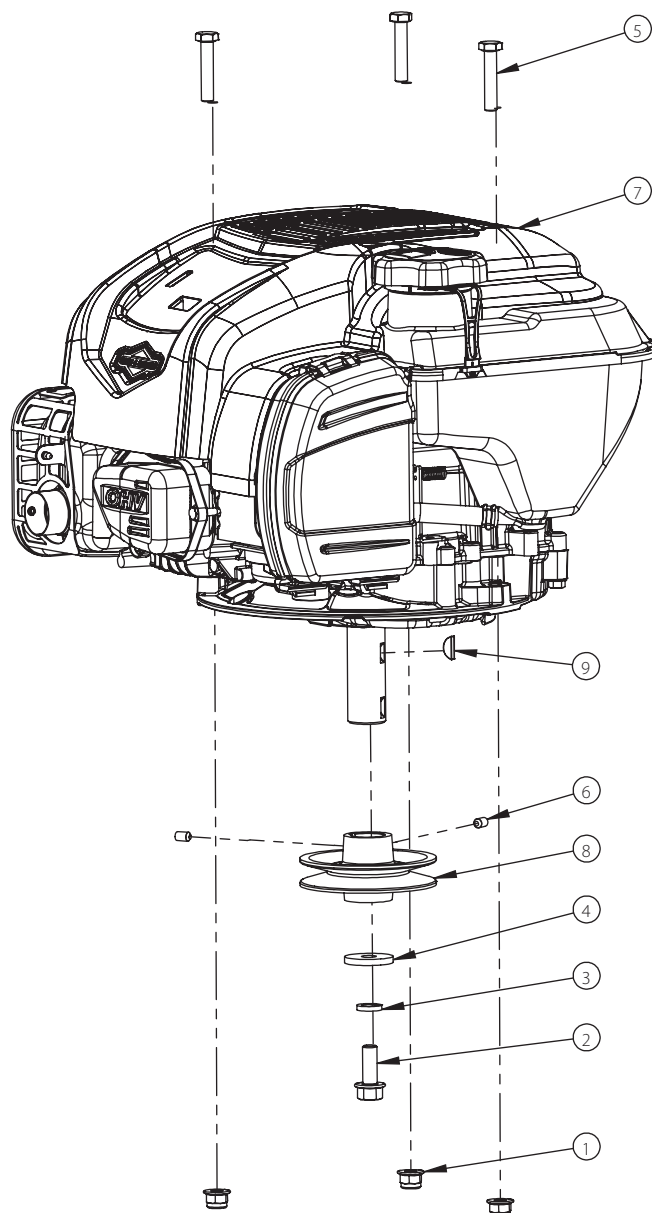
ILLUSTRATED PARTS BREAKDOWN / ILLUSTRATION DES PIÈCES DÉTACHÉES - Handlebar Assembly



REF. / REP.	PART NO. / N° RÉF.	DESCRIPTION	QTY. / QTÉ
1	106	ZIP TIE 5.75 IN	3
2	16360	WASHER M3	8
3	16397	SCREW M3-10	8
4	17526	UPPER HANDLEBAR	1
5	17527	CABLE	1
6	17528	ENGAGEMENT LEVER	1
7	19912	HANDLE PIVOT	4

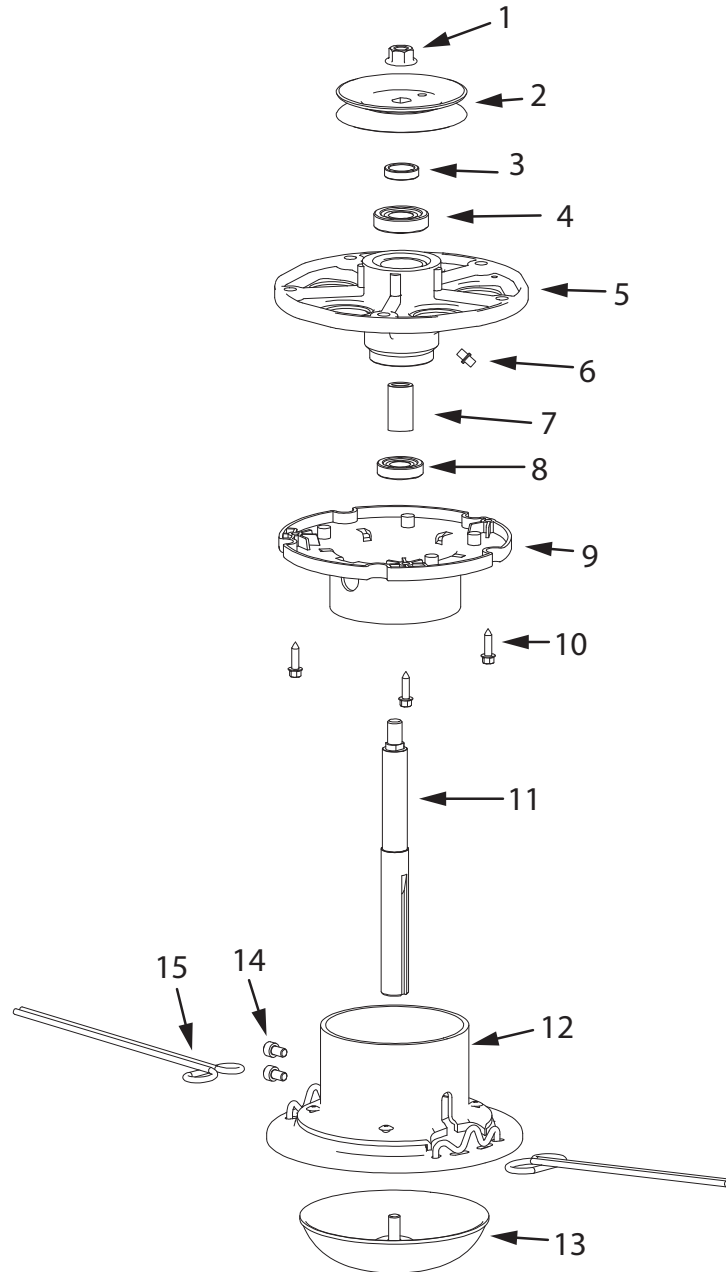
REF. / REP.	PART NO. / N° RÉF.	DESCRIPTION	QTY. / QTÉ
8	19941	LOWER HANDLEBAR	1
9	19945	BOLT M8 X 20	4
10	27683	HANDLEBAR BRACE	2
11	27800	BOLT M8 X 65	2
12	28354	KNOB	2
13	64132	NUT M8	4

ILLUSTRATED PARTS BREAKDOWN / ILLUSTRATION DES PIÈCES DÉTACHÉES - Engine



REF. / REP.	PART NO. / N° RÉF.	DESCRIPTION	QTY. / QTÉ
1	16400	NUT M8X1.25X11.1 MM HFNLYK CL8 ZN	3
2	16510	BOLT 3/8-24X1IN HF GR5 ZN	1
3	30697	WASHER M10X16.45X3.0 MM SPRLK GR8.8 ZN	1
4	331040	WASHER 10 X 32 X 4 MM GR8.8 ZN	1
5	33613	BOLT M8X1.25X40 MM HHCS GR8.8 ZN F-T	3
6	36492	SET SCREW M6X1.0X10 MM SCPC CL45H BLK OX	2
7	37886	ENGINE 163CC 725 EXI BRIGGS AND STRATTON VERTICAL	1
8	38147	PULLEY 3L 7/8IN ID X 74.63MM EFF OD SET SCREW CAST	1
9	WK6	KEY WOODRUFF 5/32 X 5/8 IN ZN	1

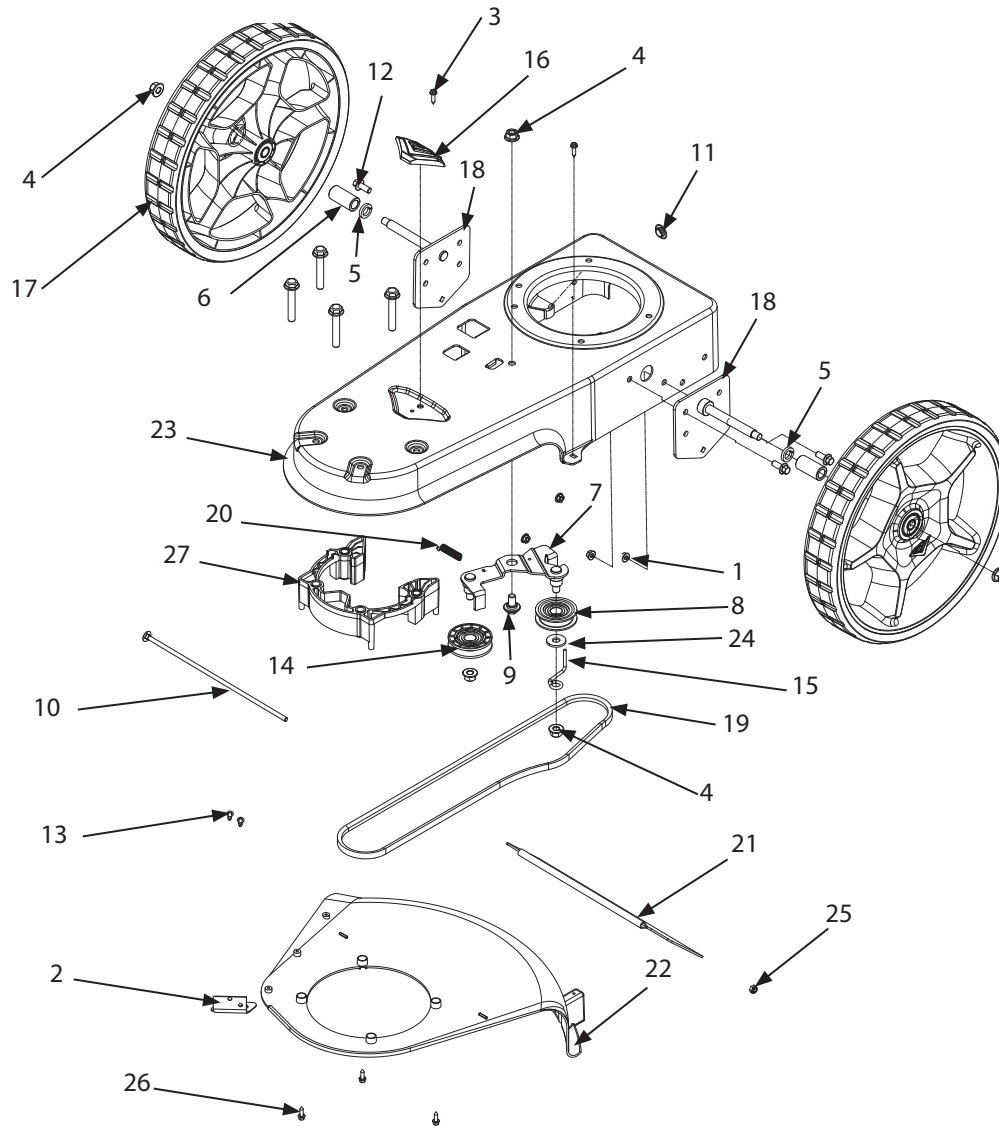
ILLUSTRATED PARTS BREAKDOWN / ILLUSTRATION DES PIÈCES DÉTACHÉES - Mower Head



ILLUSTRATED PARTS BREAKDOWN / ILLUSTRATION DES PIÈCES DÉTACHÉES - Mower Head

REF. / REP.	PART NO. / N° RÉF.	DESCRIPTION	QTY. / QTÉ
1	16903	NUT M10	1
2	16595	PULLEY	1
3	19925	SPACER M17.5 X 23.5 X 6	1
4	19966	BEARING 17 X 40 X 12 MM	1
5	16317	JACKSHAFT HOUSING	1
6	16598	GREASE FITTING M6 X 1.0	1
7	19960	JACKSHAFT SPACER	1
8	19959	BEARING 17 X 35 X 10 MM	1
9	16337	WEED WRAP GUARD	1
10	16779	BOLT M5 X 20	3
11	19928	JACKSHAFT	1
12	19924	CUTTER HEAD	1
13	19923	BUMP HEAD	1
14	19919	BOLT M6 X 10	2
15	21884	LINE 0.155 INCH	1

ILLUSTRATED PARTS BREAKDOWN / ILLUSTRATION DES PIÈCES DÉTACHÉES - Base Unit



ILLUSTRATED PARTS BREAKDOWN / ILLUSTRATION DES PIÈCES DÉTACHÉES - Base Unit

REF. / REP.	PART NO. / N° RÉF.	DESCRIPTION	QTY. / QTÉ
1	16400	NUT M8	4
2	16540	LINE CUTTER	1
3	16889	SCREW 4.8-1.6 X 20	2
4	16903	NUT M10	5
5	18898	WASHER M14	2
6	19904	WHEEL SPACER	2
7	19932	IDLER PULLEY BRACKET	1
8	19934	PULLEY	1
9	19936	BOLT M10 X 20	1
10	19937	BOLT M6 X 285	1
11	19944	BUSHING	1
12	19945	BOLT M8 X 20	4
13	19953	RIVET M5 X 10	2
14	19968	IDLER PULLEY	1
15	25038	BELT GUIDE	1
16	28215	EARTHQUAKE E BADGE	1
17	28321	WHEEL	2
18	28515	AXLE	2
19	60005003	BELT 10 X 1160 TYPE 3L	1
20	60005008	SPRING	1
21	60005018	TRAILING SHIELD	1
22	60005021	SHIELD	1
23	60005058	DECK	1
24	W1200126	WASHER M10	1
25	W1265V0913	NUT M6 X 1.0 HNYLK GR8.8 ZN	1
26	19931	SCREW M5 X 15	4
27	16318	JACKSHAFT SPACER	1