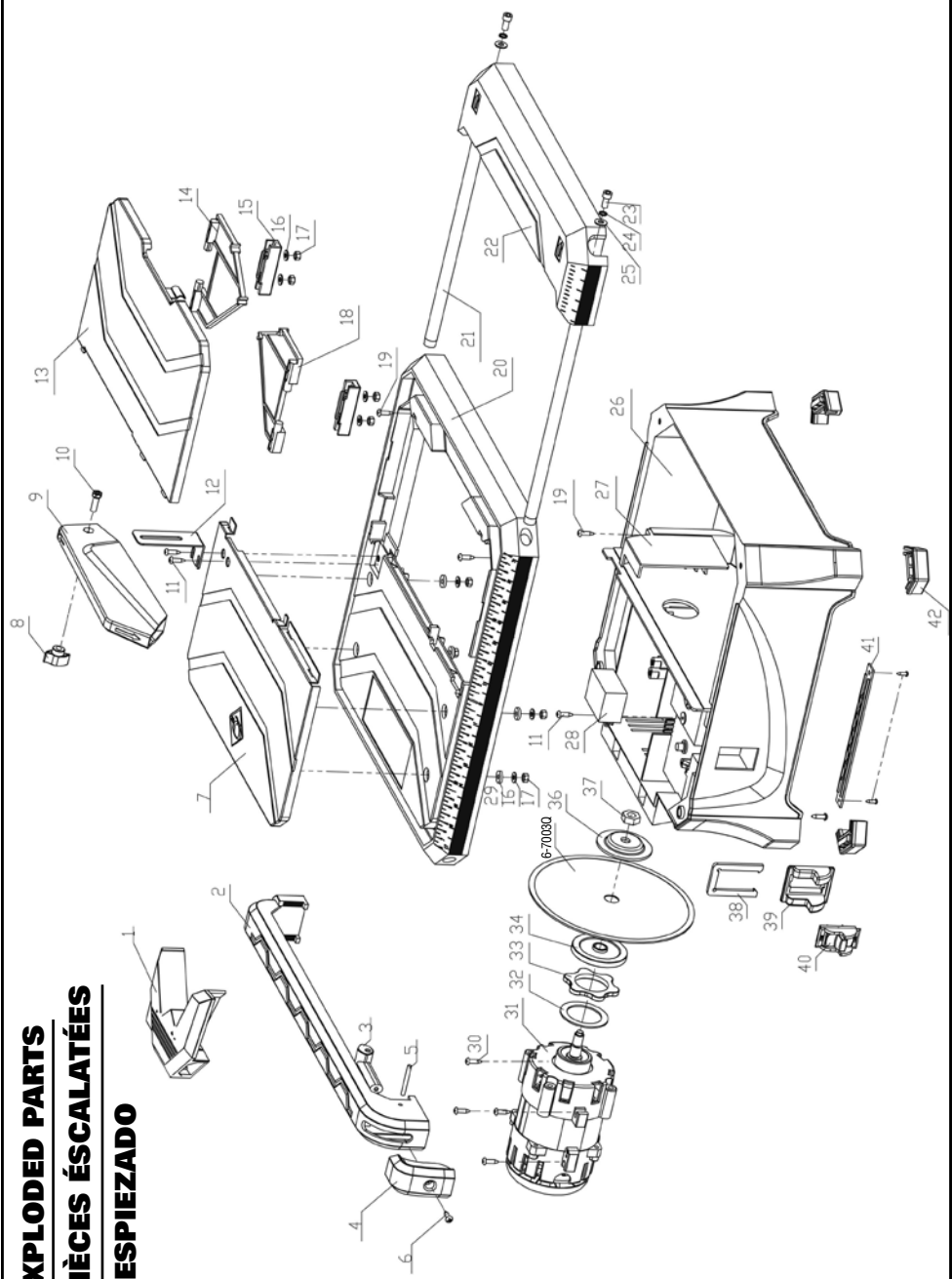


**EXPLODED PARTS**  
**PIÈCES ÉCALATÉES**  
**DESPIEZADO**



## PARTS LIST

See exploded parts (p. 11)

PART #	DESCRIPTION	Qty
22650Q-1	Angle Guide	1
22650Q-2	Rip Guide	1
22650Q-3	Lock Piece for the Rip Guide	1
22650Q-4	Locking Clip for the Rip Guide	1
22650Q-5	Cylinder Pin	1
22650Q-6	Cross Recessed Pan Head Tapping Screw	1
22650Q-6A	Assembled Rip Guide (not pictured)	1
22650Q-7	Left Cutting Table	1
22650Q-8	Locking Knob for the Blade Guard	1
22650Q-9	Blade Guard	1
22650Q-10	Hexagon Bolt	1
22650Q-11	Cross Recessed Pan Head Tapping Screws	3
22650Q-12	Rack for the Blade Guard	1
22650Q-13	Right Cutting Table	1
22650Q-14	Support for Adjusting Miter Cutting Angles	1
22650Q-15	Bases for the Supports	2
22650Q-16	Plain Washers	8
22650Q-17	Anti-loosing Nuts	8
22650Q-18	Support for Adjusting Miter Cutting Angles	1
22650Q-19	Cross Recessed Pan Head Tapping Screws	8

PART #	DESCRIPTION	Qty
22650Q-20	Upper Frame	1
22650Q-21	Tube for Extension Tables	2
22650Q-22	Extension Table	1
22650Q-23	Pan Head Screw with Cross Recess	2
22650Q-24	Pads	2
22650Q-25	Plain Washers	2
22650Q-26	Main Frame	1
22650Q-27	Splash Baffle	1
22650Q-28	Capacitor	1
22650Q-29	Rubber Washers	4
22650Q-30	Cross Recessed Pan Head Tapping Screws	4
22650Q-31	Motor	1
22650Q-32	Oil Seal for Motor	1
22650Q-33	Plastic Nut	1
22650Q-34	Inner Flange	1
6-7003Q	Blade	1
22650Q-36	Outer Flange	1
22650Q-37	Hexagon Nut	1
22650Q-38	Fixing for the Protector	1
22650Q-39	Protector for the Switch	1
22650Q-40	Switch	1
22650Q-41	Power Cord Shelter	1
22650Q-42	PVC Feet	4