



HOMEOWNER'S CARE AND OPERATION INSTRUCTIONS



GRD-5500 SHOWN

B-VENT GHC/GRD-5500 SERIES

B-VENTED GAS FIREPLACES
P/N 725,029M REV. C 07/2004

MODELS

Millivolt

Models

GHC-5500N
GHC-5500P
GRD-5500N
GRD-5500P

Electronic

Models

GHC-5500NE-2
GHC-5500PE-2
GRD-5500NE-2
GRD-5500PE-2

RETAIN THESE INSTRUCTIONS
FOR FUTURE REFERENCE



WH Report No. J20046562

WARNING: IF THE INFORMATION IN THIS MANUAL IS NOT FOLLOWED EXACTLY, A FIRE OR EXPLOSION MAY RESULT CAUSING PROPERTY DAMAGE, PERSONAL INJURY OR LOSS OF LIFE.

FOR YOUR SAFETY: Do not store or use gasoline or other flammable vapors or liquids in the vicinity of this or any other appliance.

FOR YOUR SAFETY: What to do if you smell gas:

- DO NOT light any appliance.
- DO NOT touch any electrical switches.
- DO NOT use any phone in your building.
- Immediately call your gas supplier from a neighbor's phone.

Follow your gas suppliers instructions.

- If your gas supplier cannot be reached, call the fire department.

Installation and service must be performed by a qualified installer, service agency or the gas supplier.

AVERTISSEMENT: ASSUREZ-VOUS DE BIEN SUIVRE LES INSTRUCTIONS DONNÉ DANS CETTE NOTICE POUR RÉDUIRE AU MINIMUM LE RISQUE D'INCENDIE OU POUR ÉVITER TOUT DOMMAGE MATÉRIEL, TOUTE BLESSURE OU LA MORT.

POUR VOTRE SÉCURITÉ: Ne pas entreposer ni utiliser d'essence ni d'autre vaperurs ou liquides inflammables dans le voisinage de cet appareil ou de tout autre appareil.

POUR VOTRE SÉCURITÉ: Que faire si vous sentez une odeur de gaz:

- Ne pas tenter d'allumer d'appareil.
- Ne touchez à aucun interrupteur. Ne pas vous servir des téléphones se trouvant dans le bâtiment où vous vous trouvez.
- Evacuez la pièce, le bâtiment ou la zone.
- Appelez immédiatement votre fournisseur de gaz depuis un voisin. Suivez les instructions du fournisseur.
- Si vous ne pouvez rejoindre le fournisseur de gaz, appelez le service des incendies.

L'installation et service doit être exécuté par un qualifié installer, agence de service ou le fournisseur de gaz.

ACCESSORY COMPONENTS



Remote Control System (Standard) H0249 RCL

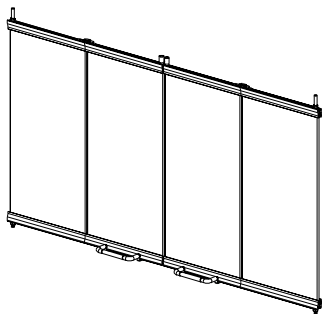
Standard Remote Control System (Model RCL)

The Model RCL (Standard) Remote Control System, features a simplistic on/off control function for the fireplace. This model includes a hand-held transmitter, a remote receiver with wall-mount coverplate and all hardware required to install the unit. The remote receiver can be wall or hearth mounted.

The transmitter has ON and OFF functions that are activated by pressing either button on the face of the transmitter. When a button on the transmitter is pressed, a signal light illuminates briefly to verify that a signal has been sent.

The Model RCL is designed to operate with all millivolt ignition systems, as well as electronic ignition systems. It may be installed with use for either natural or propane gas appliances. The RCL offers ease of installation and allows you to execute on-off commands to the fireplace effortlessly with one simple motion.

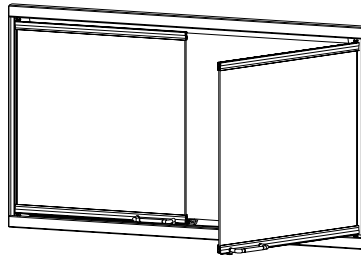
The Model RCL comes complete with detailed operating instructions.



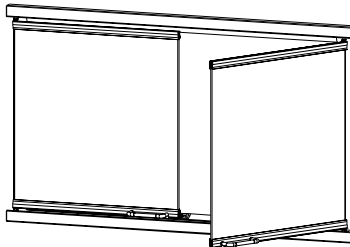
Bi-Fold Doors 12M05 33ABF
12M06 33ABF-BB

Aluminum-Framed Bi-Fold Doors

Your appliance can be fitted with beautiful aluminum-framed bi-fold doors. Model 33ABF doors are available for use with these appliances. Doors are easily fitted to the fireplace opening. Model 33ABF doors come with standard black finish. Model 33ABF-BB doors have a beautiful brass finish.



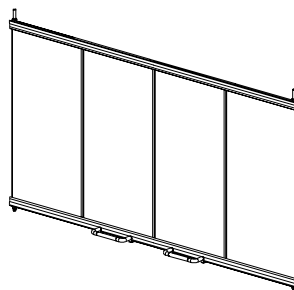
Twin Pane Door 12M42 33TBA-BB



Twin Pane Door 12M43 35TBA-BB

Aluminum-Framed Twin Pane Door

Your appliance can be fitted with beautiful aluminum-framed twin pane doors. Models 33TBA-BB and 35TBA-BB doors are available for use with these appliances. Doors are easily fitted to the fireplace opening. Both models come with a beautiful bright brass finish.

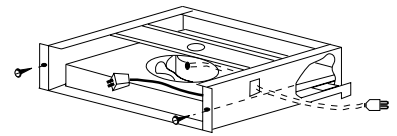


Glass Enclosure Panels 12M47 33AGEP
12M48 33AGEP-BB
12M49 35AGEP
12M50 35AGEP-BB

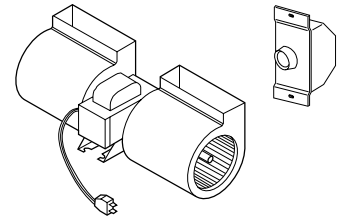
Glass Enclosure Panels

Your appliance can be fitted with beautiful glass enclosure panels. Model 33AGEP and 35AGEP doors are available for use with these appliances. Doors are easily fitted to the fireplace opening. Model 33AGEP and 35AGEP doors come with a standard black finish. Model 33AGEP-BB and 35AGEP-BB doors come with beautiful bright brass finish.

To ensure warranty and to prevent a potential fire hazard, do not use any other doors on these appliances.



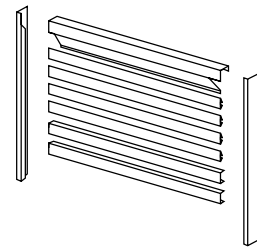
Forced Air Kit 011781 FAK-1500



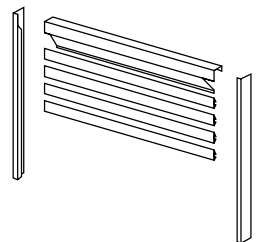
Forced Air Kit with Variable Speed Wall Switch 051331 FAB-1600

Forced Air Kit

If the optional forced air kits, Model FAK-1500 or Model FAB-1600, are to be used on the GHC-5500 Series appliances, refer to the installation instructions packed with the fan kit. The GHC-5500 Series appliances have been pre-wired at the factory to accept the forced air kit at some later time. The appliance, must however, be connected to the main power supply at the time of installation if the either of the forced air kits are to be installed later. The FAB-1600 kit comes with a variable speed wall switch.



Horizontal Trim Kit 024477 35HTK-SPB



Horizontal Trim Kit 024474 35HTK-PB

Horizontal Trim Installation

There are two (2) optional horizontal trim kits, Models 35HTK-PB, 35HTK-SPB available for use with the GHC Series appliance. The 35 HTK-SPB kit's trim is solid polished brass, as opposed to the 35HTK-PB kit's trim which has a polished brass coating. Refer to the specific installation instructions packed with each trim kit for their proper usage and installation.

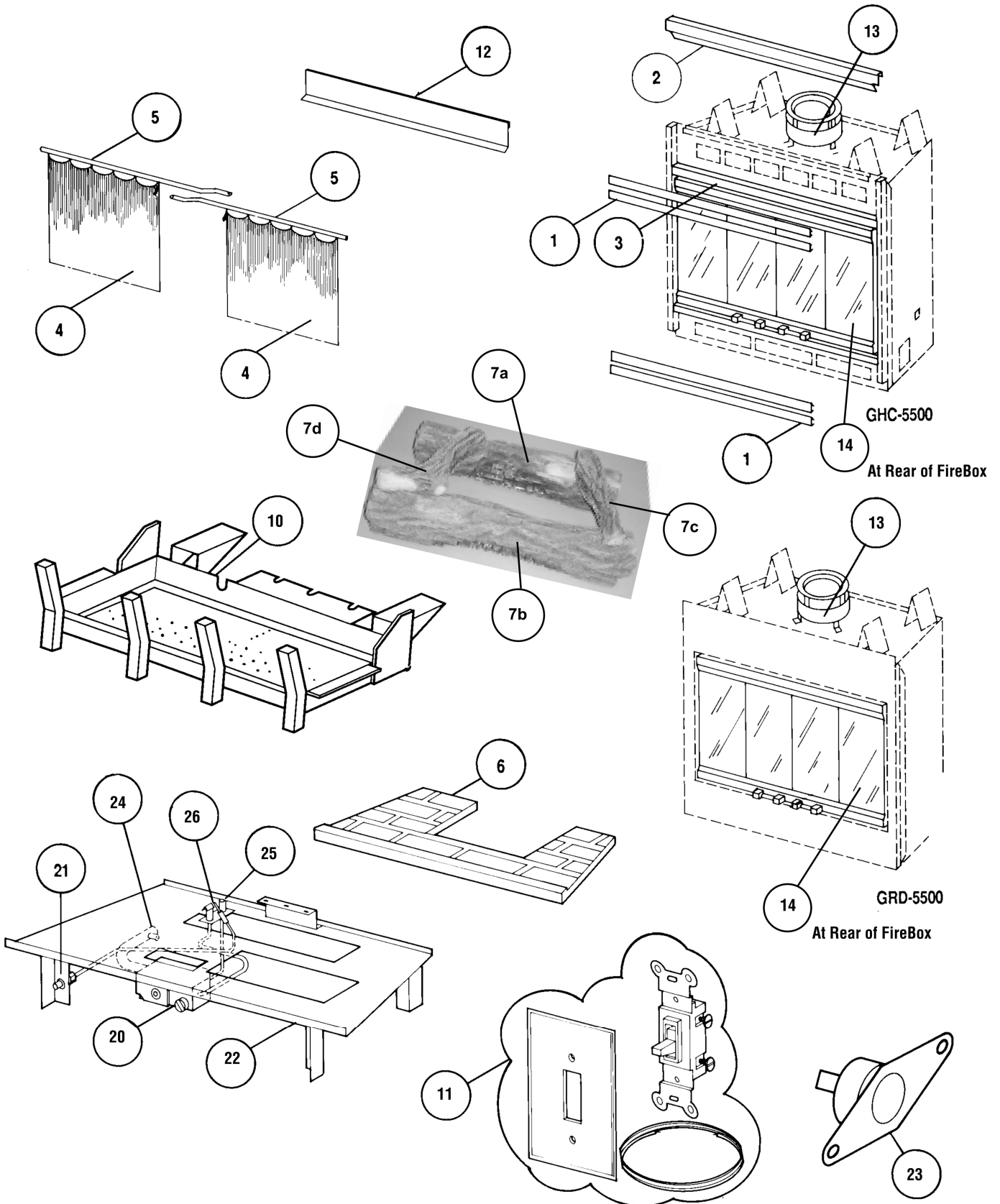
**REPLACEMENT PARTS LIST
MILLIVOLT SYSTEM**

No.	DESCRIPTION	GHC-5500 Natural and Propane		GRD-5500 Natural and Propane	
		Part No.	Qty.	Part No.	Qty.
1.	Bar, Louver (Black)	LB-96917A	4	-	-
2.	Bar, Top	LB-96906A	1	-	-
3.	Trim, Upper/Lower	037171	2	-	-
4.	Panel, Screen/Pull	090673	2	090673	2
5.	Rod, Screen	011381	2	011381	2
6.	Refractory, Bottom	043431	1	043431	1
7.	Log Set (Complete)	13M3701	1	13M3701	1
a.	Log, Rear, Bottom	13M3001	1	13M3001	1
b.	Log, Front, Bottom	13M3101	1	13M3101	1
c.	Log, Top, Right	13M3301	1	13M3301	1
d.	Log, Top, Left	13M3201	1	13M3201	1
10.	Burner Assembly	044251	1	044251	1
11.	ON/OFF Control Switch, Wall	025972	1	025972	1
12.	Cover, Front	025801	1	025801	1
13.	Collar, Flue Extension	030851	1	030851	1
14.	Porcelain Panel	029171	1	029171	1

GAS CONTROLS— ROBERTSHAW MILLIVOLT

No.	DESCRIPTION	GHC/GRD-5500 Natural		GHC/GRD-5500 Propane	
		Part No.	Qty.	Part No.	Qty.
20.	Valve, Gas (7000 MVRLC)	009737	1	093771	1
21.	Ignitor, Piezo	091301	1	091301	1
22.	Panel, Control (Complete)	043331	1	043332	1
23.	Switch, Limit	097367	1	097367	1
24.	Orifice, #43 (Nat.)/#54 (Prop.)	092757	1	092756	1
	Orifice, Derating Kit	040611	1	040612	1
25.	Thermopile TP-75	094699	1	094699	1
26.	Pilot assembly	093761	1	093762	1

REPLACEMENT PARTS — MILLIVOLT



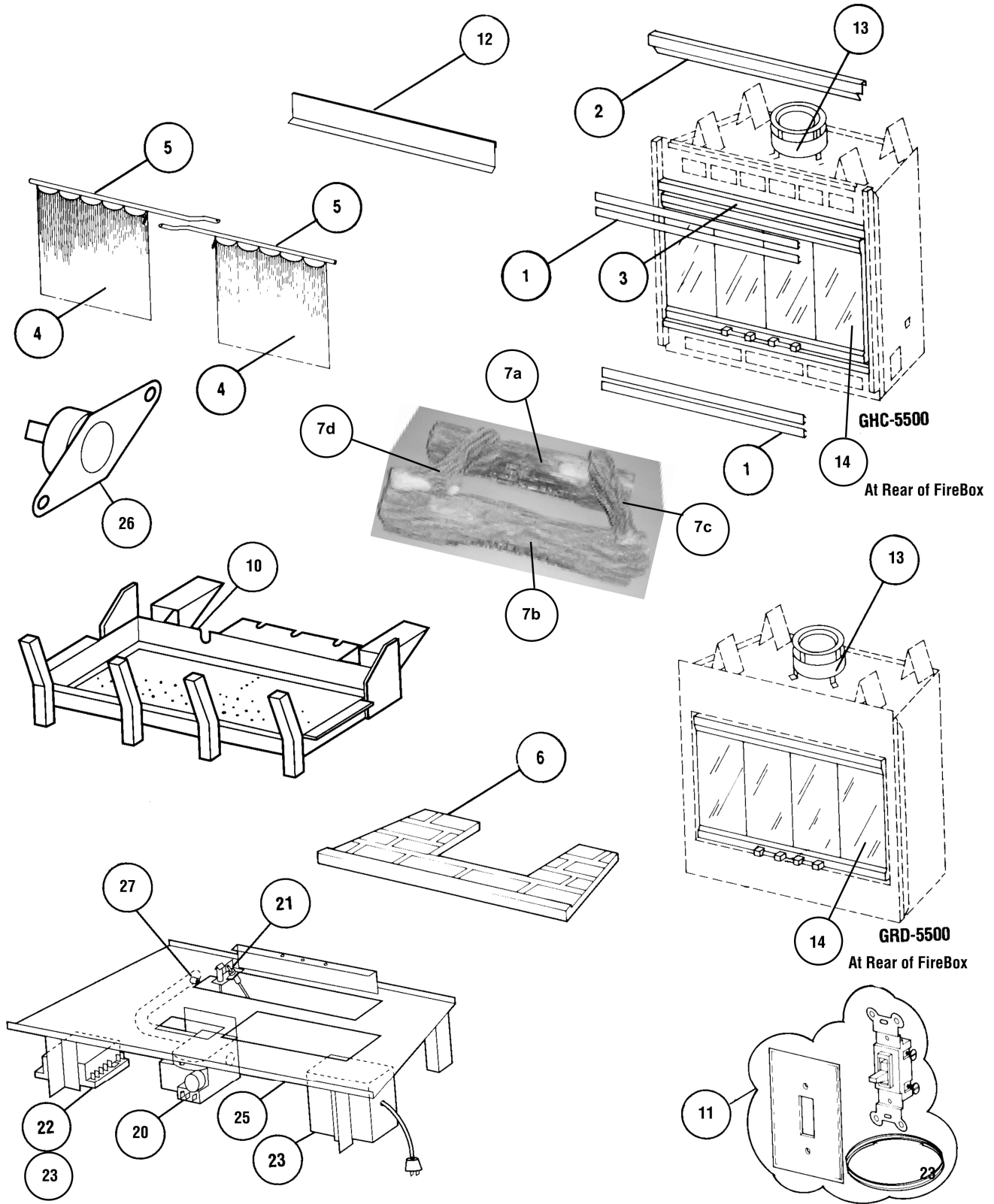
REPLACEMENT PARTS LIST ELECTRONIC SYSTEM

No.	DESCRIPTION	GHC-5500 Natural and Propane		GRD-5500 Natural and Propane	
		Part No.	Qty.	Part No.	Qty.
1.	Bar, Louver (Black)	LB-96917A	4	-	-
2.	Bar, Top	LB-96906A	1	-	-
3.	Trim, Upper/Lower	037171	2	-	-
4.	Panel, Screen/Pull	090673	2	090673	2
5.	Rod, Screen	011381	2	011381	2
6.	Refractory, Bottom	043431	1	043431	1
7.	Log Set (Complete)	13M3701	1	13M3701	1
a.	Log, Rear, Bottom	13M3001	1	13M3001	1
b.	Log, Front, Bottom	13M3101	1	13M3101	1
c.	Log, Top, Right	13M3301	1	13M3301	1
d.	Log, Top, Left	13M3201	1	13M3201	1
10.	Burner Assembly	044251	1	044251	1
11.	ON/OFF Control Switch, Wall	025972	1	025972	1
12.	Cover, Front	025801	1	025801	1
13.	Collar, Flue Extension	030851	1	030851	1
14.	Porcelain Panel	029171	1	029171	1

GAS CONTROLS— ROBERTSHAW ELECTRONIC

No.	DESCRIPTION	GHC/GRD-5500 Natural		GHC/GRD-5500 Propane	
		Part No.	Qty.	Part No.	Qty.
20.	Valve, Gas (7200 IPER)	098204	1	098235	1
21.	Pilot assembly	098261	1	098262	1
22.	Ignition Control (Robertshaw)	098203	1	098203	1
23.	Ignition Control (Honeywell)	904715	1	904715	1
24.	Transformer Assy - (CIN-TRAN-2014)	040414	1	040414	1
25.	Panel, Control (Complete)	053411	1	053412	1
26.	Switch, Limit	097367	1	097367	1
27.	Orifice, #43 (Nat.)/#54 (Prop.)	092757	1	092756	1
	Orifice Derating Kit	040611	1	040612	1

REPLACEMENT PARTS — ELECTRONIC



NOTE: DIAGRAMS & ILLUSTRATIONS NOT TO SCALE.

The manufacturer reserves the right to make changes at any time, without notice, in design, materials, specifications, prices and also to discontinue colors, styles and products. Consult your local distributor for fireplace code information.