

PARTS LIST FOR TITAN & INTERCRAFT STONE SAW

Symbols	
→	= Specify, measurement, and length
d	= See detailed drawing
□	= Component set
■	= Set - subject to wear
○	= Part - subject to wear
z	= Special accessory
+	= Single part not available
s	= Set
∞	= Special part

Pos.	Symbol	Number of pieces	Description
1	→s+	1	Tub Section
2	→	1	Rubber Seal
3		1	Tub End Section without Drain
4		1	Tub End Section with Drain
5	∞	1	Drain Plug 1"
5a		1	Drain Plug Gasket
6	→	1	Worktable, complete with Pad
6a	→	2	Rubber Pads
7	d	1	Mitre Cut Housing
8	d	1	Mitre Cut Guide Section
9	d	1	Cover Plate
9a	sd	5	Selftapping Metal Screws 3,5 x 9,5 Din 7971B
10	□d	1	Gearbox complete
11	□d	1	Mitre Cut Assembly, complete
11a	∞	1	Hexhead Bolt M12 x 140 Din 931
11b		1	Bushing
11c		1	Pinion Gear
11d	∞	1	Crank
11f		1	Flat Washer M12 Din 134
11g		1	Adjustment Knob, Crank Wheel M12 Din 6336
11h		1	Set Screw M6 x 8 Din 914
11i	d	1	Spring Ring Ø 12 Din 471
11k	d∞	1	Spacer Washer 28 x 20 x 3
12	d	1	Boot
13		1	Boot Support Angle Piece (inside Boot)
13a	sd	2	Selftapping Metal Screws 3,5 x 9,5 Din 7971B
14		2	Bearing Blocks
14a	s	4	Hexhead Bolt M10 x 25 Din 933 with Flat Washer M10 Din 125 A
15	s	8	Hexhead Bolt M10 x 20 Din 933
16	s	8	Motor Guide Rail Bearings
17	s	8	Spacers for Motor Guide Rail Bearings 16 x 10, 5 x 0,2 Din 988
18		1	Motor Base Plate
19	s	4	Hexhead Bolt M8 x 30 Din 933 with Flat Washer M8 Din 125 A
19a	s	2	Hexhead Bolt M8 x 25 Din 933
21	→	1	Motor with on/off Witch
22		1	Outer Flange Washer

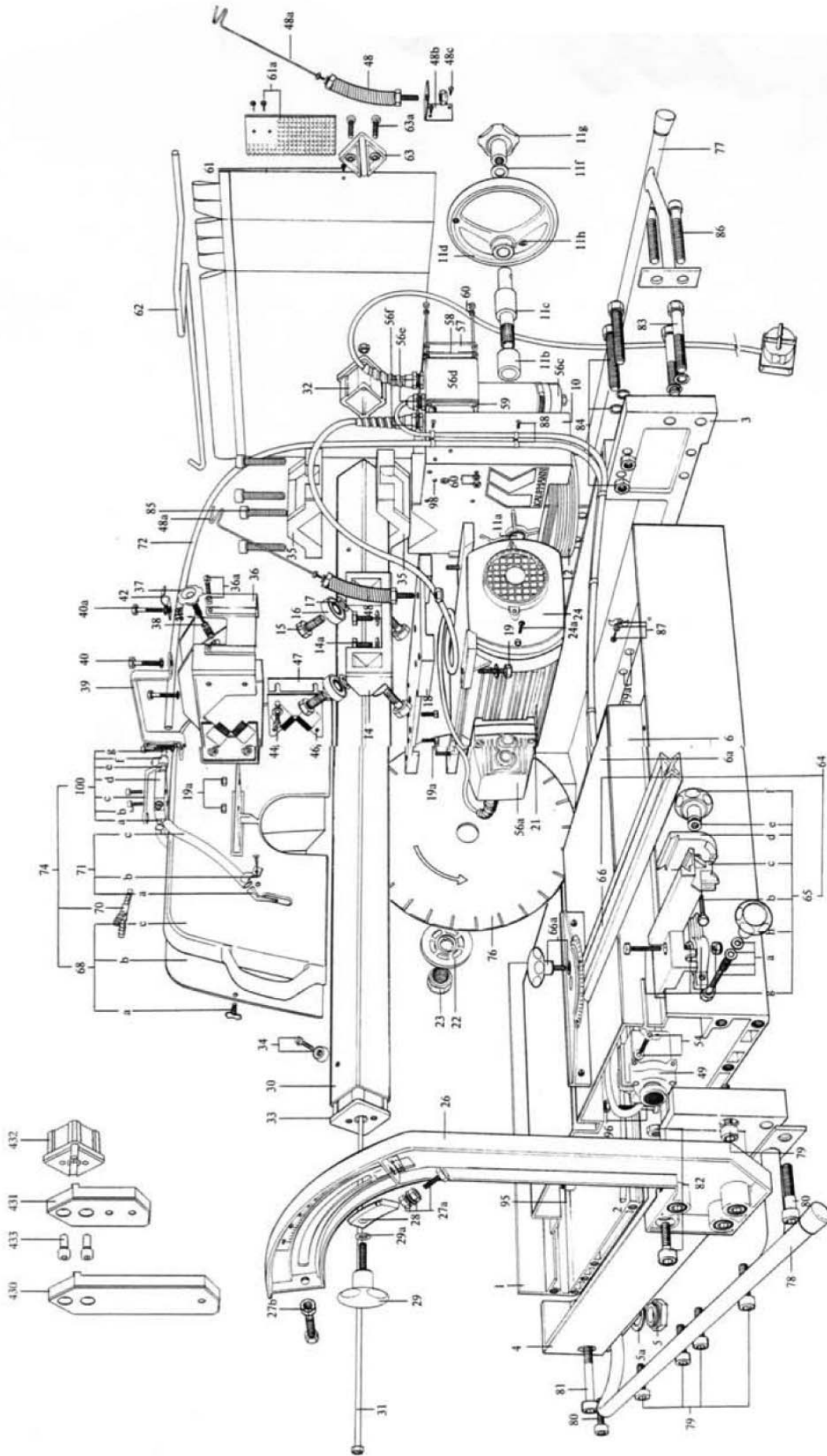
22a	d	1	Inner Flange Washer 30mm Titan
22b	d→	1	Inner Flange Washer 25.4 mm Intercraft
	d→	1	Inner Flange Washer 30 mm Intercraft
23		1	Flange Nut M20 Left Hand Thread Din 934
24	d	1	Motor Fan Cover
24a	ds	2	Screws M4 x 10 Din 7516 B
24b	d→	1	Motor Housing with Feet
24c	d→	1	Motor Housing with Feet
24d	d	1	V-Ring
25	d	1	Motor Fan
26		1	Guide Rail Support Arm
27a	s	1	Hexhead Bolt M8 x 35 Din 933 Nuts M8 Din 934 and Washer M8 Din 125 A
27b	s	1	Hexhead Bolt M8 x 30 Din 933 incl. Nut M8 Din 934
28		1	Guide Block
29	∞	1	Adjustment Knob, Guide Rail M8 x 30 Din 6336
29a		1	Flat Washer M8 Din 125 A
30	→	1	Guide Rail
31	→	1	Ready Rod M8 incl. Nuts M8 Din 934
32	→	1	Guide Rail End Cap
33	→	1	Guide Rail End Cap
34	s	1	Motor Stop with Bolt M5 x 10 Din 84 A
35	→	1	Guide Rail Clamp
36		1	Bearing Cover
36a	s	2	Sockethead Bolts M6 x 20 Din 84A, incl. Nuts M6 Din 934
37		1	Locking Knob for Cutting Head
38		1	Spring
39		1	Handle
40	s	2	Hexhead Bolt M6 x 35 Din incl. Spring Washer M6 Din 127B
40a	s	2	Hexhead Bolt M6 x 30 Din incl. Spring Washer M6 Din 127B
42		1	Hose Clamp
44	s	8	Flathead Screws M6 x 10 Din 84A incl. Flat Washer M6 Din 125A
46	■	4	Wipers
47		4	Wiper Spacers
48	→	1	Cable Guide Spring
48a	→	1	Cable Guide Rod M5 Din 125A incl. Spring Washer and Nut M5 Din 934
48b		1	Cable Guide Support Bracket
48c	s	2	Selftapping Screws 3,5 x 9,5 Din 7971B
49	d○→	1	Water Pump, complete
49a	d+	1	Water Pump without Housing
50	d'	1	PVC Housing
50a	ds'	3	Selftapping Crews Din 7981 ø 4,2 x 19
50b	d→	1	Pump Impeller
50c	d→	1	O-Ring
50d	ds→	4	Countersunk Metal Screws Din 7982
50e	d→	1	PVC Housing
51	d→	1	Filter

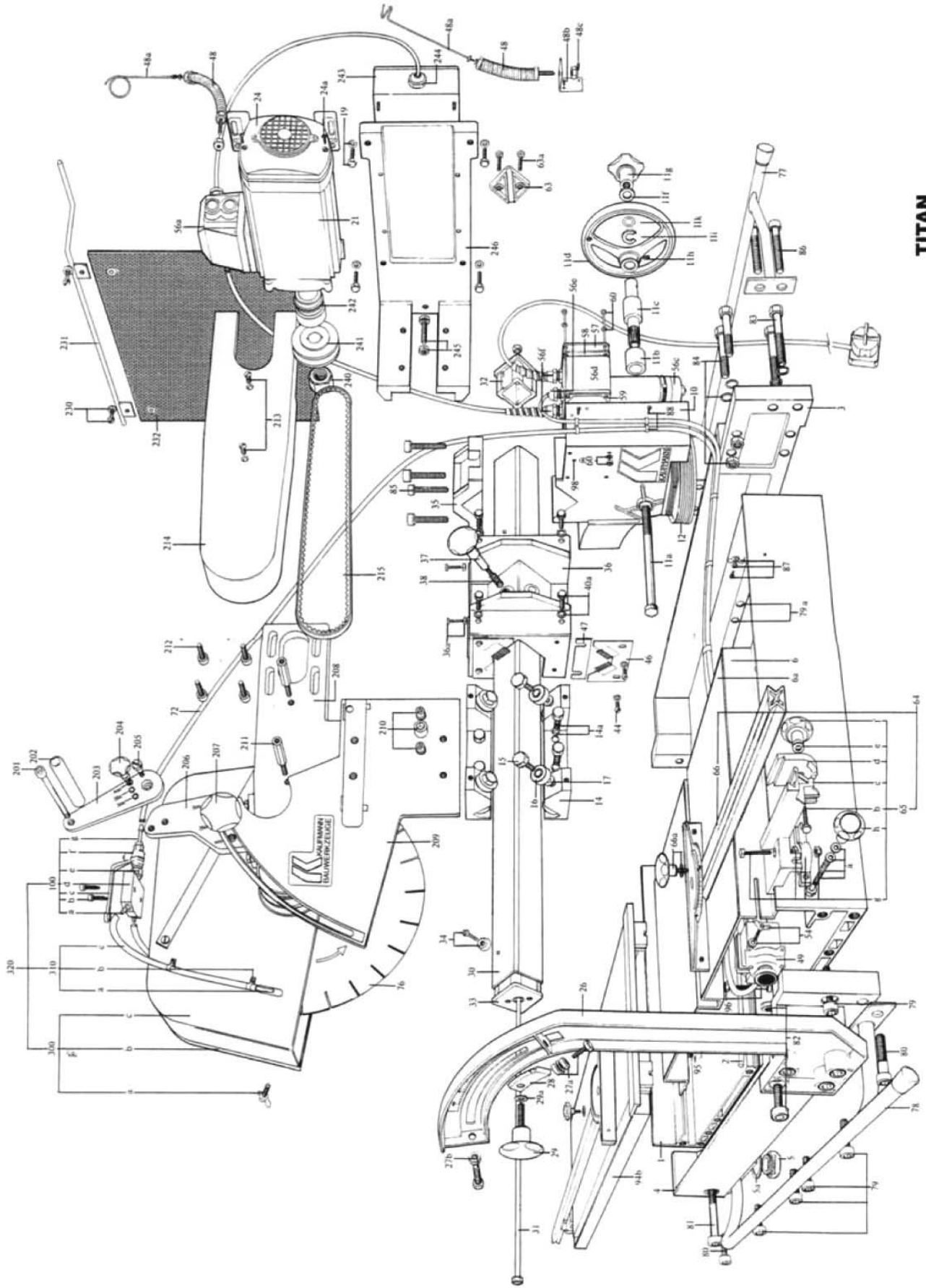
53	ds→	1	Hose Fitting with Nut 1/4" - 6 mm	81		1	Sockethead Screws
54	ds→	1	Wing Screw M5 x 16 Din 316 incl. Flat Washer M5 Din 125A				M10 x 90 Din 912
54a	ds→	1	Pump Support Bracket incl. countersunk Metal Screws ø 3,5 x 9,5 Din 7972B	82	s	4	Sockethead Screws M10 x 30 Din 912, incl. Nuts, stainless steel
56	→	1	On/off Switch complete with Relay	83	s	2	Hexhead Screws M10 x 45 Din 933 incl. Spring Washer
56c	→	1	Capacitor	84	s	2	Hexhead Screws M10 x 35 Din 933, incl. Nuts, and Spring Washer, stainless steel
56d	→	1	Junction Box without Capacitor	85	s→	4	Sockethead Screws M10 x 35 Din 912
56e		1	PVC Connector		s→	4	Sockethead Screws M10 x 60 Din 912
56f		2	PVC Connectors		s→	4	Sockethead Screws M10 x 110 Din 912
57		1	Cover	86	s	4	Sockethead Screws M10 x 45 Din 912
58		1	Gasket	87	s	1	Hose Clamp, incl. Metal Screw 3,5 x 9,5 Din 7971B and Washer M4 Din 125A
59		1	Gasket	88	s	2	Hose Clamp, incl. Metal Screw 3,5 x 9,5 Din 7971B
60	s	4	Flat Head Screws M4 x 80 incl. Nuts and Washers	90	z	1	PVC Support Bracket, large, incl. Screws M5 x 20 Din 84A
61	s→	1	Splash Guard, large incl. Metal Screws 3,5 x 9,5 Din 7971B	91	z	1	PVC Support Bracket, small, incl. Screws M5 x 10 Din 84A
61a	s→	1	Splash Guard, small incl. Metal Screws 3,5 x 9,5 Din 7971B	92	z→	1	Stand, complete 830 mm
62	→	1	Splash Guard Support Rod	92a	z→	1	Stand, complete 1280 mm
63		1	Clamp Plate	92b	→	4	Table Legs
63a		2	Sockethead Screws M6 x 16 Din 912	92c	→	1	Table Frame 830 mm
64	→	1	Cutting Guide, complete, 300mm	92d	→	1	Table Frame 1280 mm
	→	1	Cutting Guide, complete, 600mm	92e	s	4	Wing Screws M8 x 20 Din 316
65		1	Cutting Guide Bracket, complete	94	z→	1	Side Table, complete (specify type and size)
65a	s	1	Hexhead Screw M6 x 30 Din incl. Spring and Flat Washers	94a	z→	1	Side Table Leg
65b		1	Hexhead Screw M6 x 20 Din 933	94b	z→	1	Side Table Top (specify size)
65c		1	Cutting Guide Bracket	95	s→		Worktable Support Screw, stainless steel
65d		1	Support Bracket	96	s→		Sockethead Screws M6 x 55 A2 Din 912 incl. Nut, M6 A2 Din 934 stainless steel
65e		1	Flat Washer M6 Din 125A	98	s	1	Sockethead Screw M4 x 10 Din 84A, incl. Nut M4 Din 125A and Flat Washer M4 Din 934
65f		1	Adjustment Knob	100	sz	1	Water Control Valve, complete
65g	s	1	Hexhead Screw M8 x 30 Din incl. Nut, Support Bracket, and Lock Nut	100a		2	Hose Connections
65h		1	Adjustment Knob M6 Din 6336	100b		2	Sockethead Screws M5 x 30 Din 912
66	→	1	Angle Guide, complete 300 mm	100c		1	Shut off Handle
	→	1	Angle Guide, complete 600 mm	100d		1	Water Distributor
66a	∞	1	Adjustment Knob, male, incl. Washer	100e		1	Nipple 1/4", threaded both sides
68	s→	1	Blade Guard, complete	100f		1	Water Shut off Valve, incl. Handle
68a	s	2	Wing Scews M6 x 16	100g		1	PVC 1/4"- 6 mm Hose Fitting
68b	→	1	Blade Guard Face Plate	210		1	Sockethead Screw M12 x 100 Din 912
68c	→	1	Blade Guard Cover	202		1	Handle
70		1	Water Hose Fitting (Y-shape)	203		1	Handle Bracket, top
71	s→	1	Water Feed, complete	204	∞	1	Adjustment Knob, male, incl. Flat Washer
71a		2	Water Jets	205	∞	1	Flat Head Screw
71b		2	Clamps incl. Metal Screws 3,5 x 9,5 Din 7971B	206		1	Handle Bracket, bottom
71c	→	2	Water Hoses	207	∞d	1	Adjustment Knob, male
72	→	1	Water Hose	208	d	1	Bracket, T-shape
74	s→	1	Blade Guard, complete, incl. Water Control Valve	209	d	1	Adjustment Bracket
	sz→	1	Blade Guard, complete, incl. Water Control Valve	210	ds	1	Set of 3 Sockethead Screws, incl. 2 Spring Rings
76	○→	1	Diamond Blade (optional)				
77		1	Carrying Handle, back				
78		1	Carrying Handle, front				
79	s	5	Sockethead Screws M10 x 35 Din 912				
79a	s	3	Sockethead Screws M10 x 30 Din 912				
80	s	2	Sockethead Screws M10 x 50 Din 912				

211	∞	2	Spacer Screw
212	s	4	Sockethead Screws, M10 x 20 Din 912
213	s	2	Countersunk Screws, M6 x 10 Din 963A
214		1	Belt Guard
215		1	Belt Type FO-Z, Spz. LW 837
230	s	2	Flat Head Screws, M6 x 10 Din 84A incl. Flat Washers M6 Din 125A
231		1	Splash Guard Support Bracket
232		1	Splash Guard
240		1	Hexhead Nut, left handed thread, 20mm
241		1	Belt Pulley ø 63
242		1	Bushing Seal with O-Ring
243		1	Junction Box, complete
244	s	1	Cable to Junction Box Fitting
245	s	1	Hexhead Screw, M10 x 50 Din 933 mit incl. Nut M10 Din 934
246		1	Motor Support Bracket
250	ds∞	1	Flat Head Screw, M6 x 12 mit incl. Nut, Flat Spring Washer
251	d∞	1	Flat Head Screw M6 x 5,5
252	d	1	Flat Head Screw M8 x 16 Din 963
253	d	1	Spacer Washer
254	d	1	Blade Guard Support Arm
255	d	1	Blade Guard Support Bracket
256	d	1	Bearing 6205 - 2 NSL
257	d	1	Bearing 6206 - 2 NSL
258	d	1	Spring 6 x 6 x 10
259	d	1	Axle
260	d	1	Spring
261	d	1	Spring Support Bolt
262	d	1	Spring Support Bolt
264	d	1	Spacer Screw
265	d	1	Spacer Washer, PVC
266	d	1	Guide Block
269	d	1	O-Ring, ø 59.5 mm x 3 mm
270	d	1	O-Ring, ø 65 mm x 3 mm
271	d	1	Bearing 6205-2 NSL
272	d	1	Grease Ring
273	d	1	Spring Pin ø 5 x 24 Din 6325
274	d	1	Shaft
275	d	1	Spring 6 x 6 x 12
276	d	1	Bearing 6205-2 NSL
277	d	1	Spring Ring ø 60 Din 471
278	d	1	Bearing Support
279	d	1	Spring Ring ø 60 Din 471
280	d	1	Spring Ring ø 52 Din 472
281	d	1	Belt Pulley ø 75
282	d	1	Spacer
283	d	1	Sockethead Screw, M6 x 10 Din 912
300	s→	1	Blade Guard, complete
300a	ds	2	Wing Nut, M6 x 16
300b	d→	1	Blade Guard Face Plate
300c	d→	1	Blade Guard Cover
310	s→	1	Water Feed, complete
310a		2	Water Jets
310b		2	Clamps, incl. Metal Screws 3,5 x 9,5 Din 7971B
310c	→	2	Water Hoses

320	s→	1	Blade Guard, complete, incl. Water Control Valve
999	s	1	Tool Set, complete: 1 Open End Wrench 8 mm / 10 mm Din 3110 1 Open End Wrench 19 mm Din 894 1 Open End Wrench 30 mm Din 894 1 Stocket Wrench 13 mm/17 mm Din 896 1 Pin 6 mm x 150 mm 1 Pin 6 mm x 180 mm

On all parts in this owners manual technical changes are possible at any time without prior notice. The here mentioned data is to be considered as indicative only. In case the law, or the marketing require changes in production, assembly or parts for the Intercraft and Titan saws, the Kaufmann factory retains the rights to do this as they fit. Drawings and technical details are not to be used in whole or in part for distribution, promotion or to be copied without authorization from Kaufmann, nor to be passed on to third parties. Copyright law dated June 09, and VWG. Dated June 07, 1909.



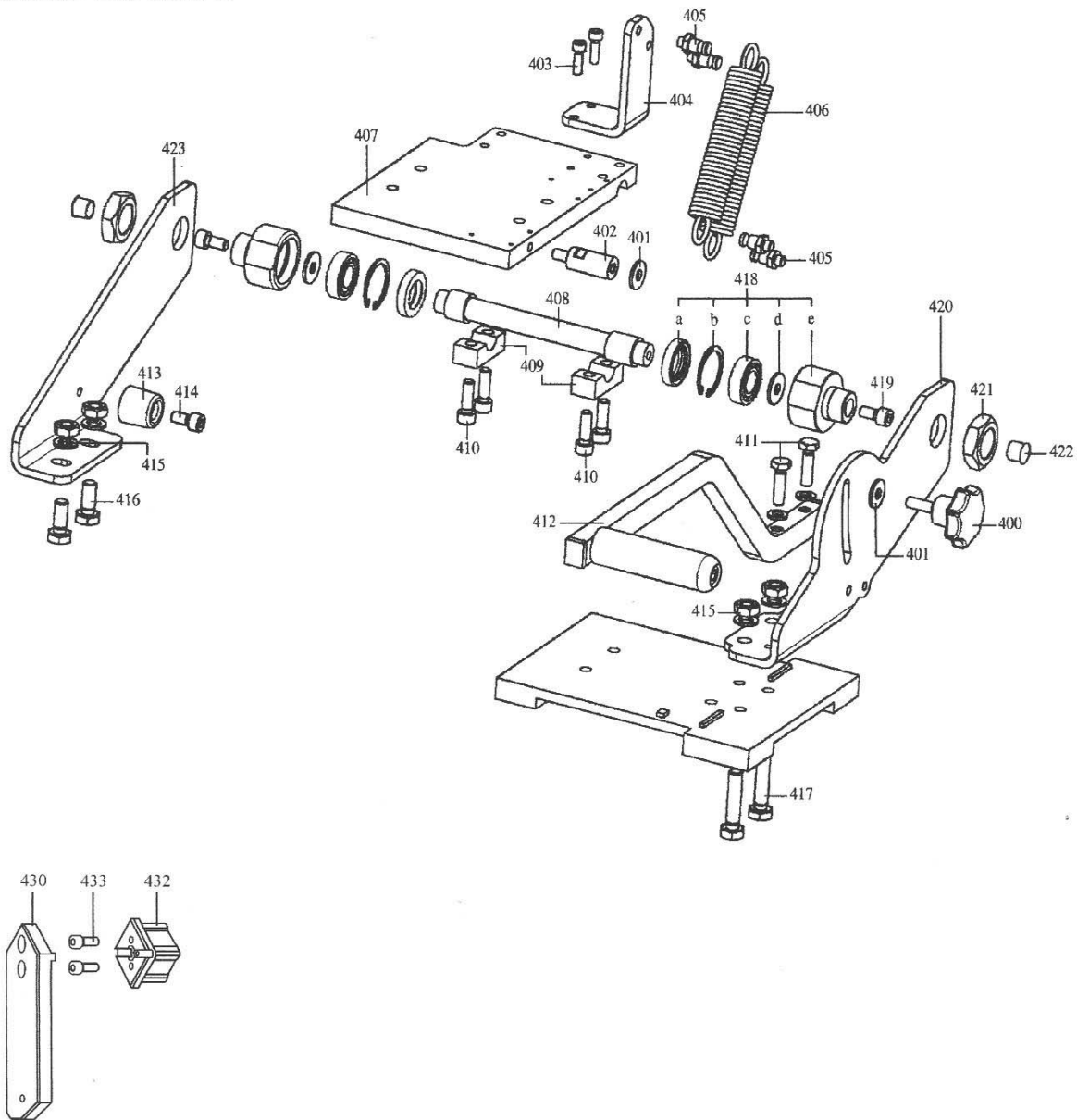


TITAN

PARTS LIST FOR CLASSIC STONE SAW

Part no.	Symbol	Number of pieces	Description
85	s→	4	Sockethead Screw M10 x 190 Din 912
400	d	1	Adjustment Knob M8 x 25 Din 6336
401	ds∞	2	PVC Spacer Washer 8,4/20/2
402	d∞	1	Pin
403	ds	2	Sockethead Screw M6 x 20 Din 912
404	d∞	1	Spring Support Plate
405	ds∞	4	Spring Support Bolt M8
406	ds∞	2	Spring
407	d∞	1	Bearing Block Plate
408	d∞	1	Axle
409	d∞	2	Clamping Part
410	ds	4	Sockethead Screw M8 x 25 Din 912
411	ds	2	Hexhead Bolt with Snap Ring M8 x 30 Din 933
412	d□	1	Lever with wooden Handle complete
413	d	1	Rubber-stopper
414	d	1	Sockethead Screw M8 x 16 Din 912
415	ds	4	Nut with Snap Ring M10 Din 934
416	ds	2	Hexhead Bolt M10 x 25 Din 933
417	ds	2	Hexhead Bolt M10 x 25 Din 933
418	d□	2	Bearing Flange
418a	d	1	O-Ring Seal 22 x 35 x 7 AS
418b	d	1	Spring Ring 35 Din 472
418c	d	1	Ball Bearing 6003 2RS NTR
418d	d	1	Flat Washer M8 Din 9021
418e	d∞	1	Bearing Flange Housing
419	ds	2	Sockethead Screw M8 x 16 Din 912
420	d∞	1	Seesaw Plate left
421	ds	2	Nut M24 x 1.5 Din 439
422	ds	2	End Cap SRL 16 x 0,8-2
423	d∞	1	Seesaw Plate right
430	∞	1	Support Arm Classic
432	∞	1	End Cap Classic
433	s	2	Sockethead Screw M8 x 20 Din 912

DETAIL DRAWING



All other parts are identical with the model Intercraft and the detail drawing is shown in the instruction manual Titan / Intercraft on page 16 – 17.