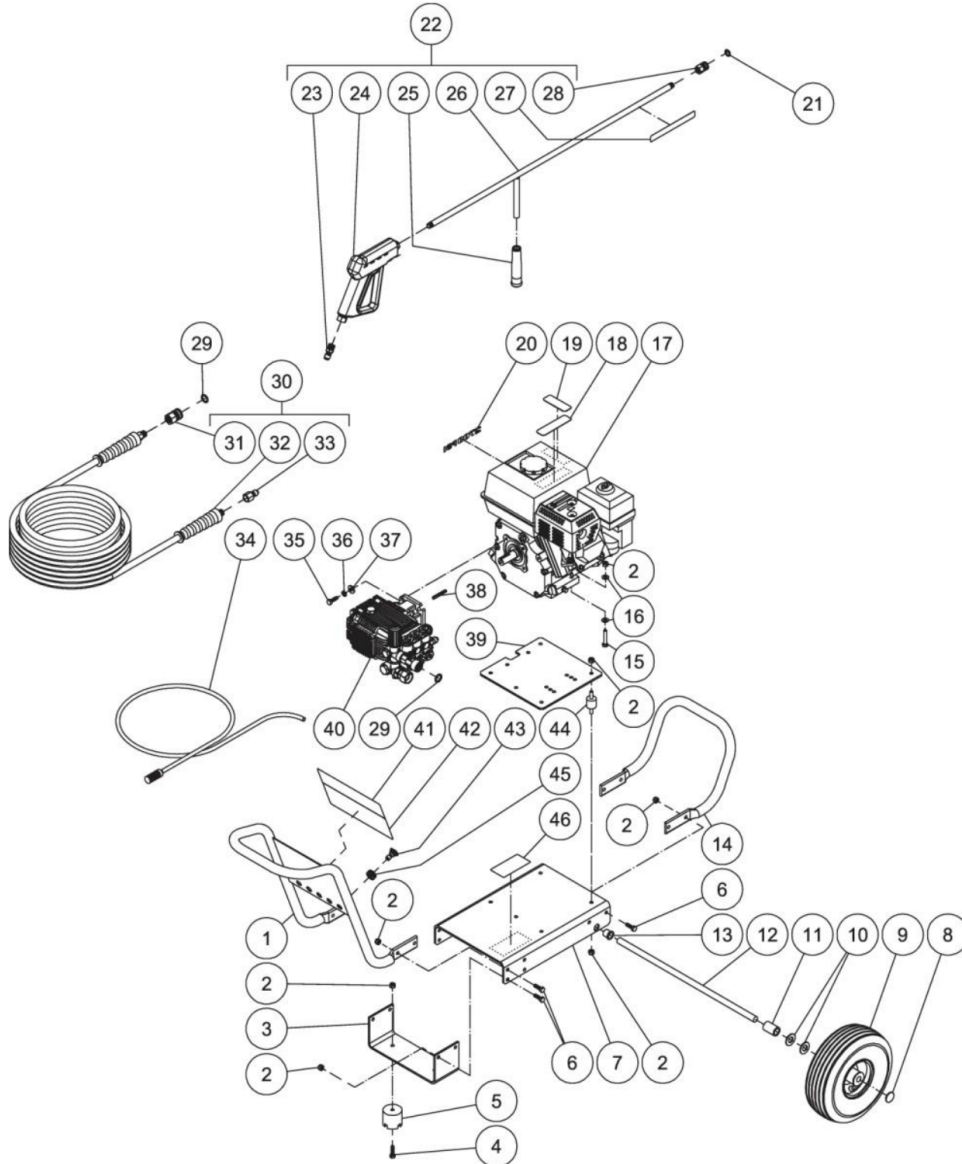




CA-2703-8MHB / CA-2703-8MHB (sn:0-99999999)

## FRAME ASSEMBLY



Id	Item #	Description	Quantity
1	7-0182	HANDLE	1
2	30-0157	LOCKNUT	26
3	56-0054	BRACKET	1
4	27-0068	BOLT	2
5	14-0008	ISOLATOR	2
6	27-0067	BOLT	12

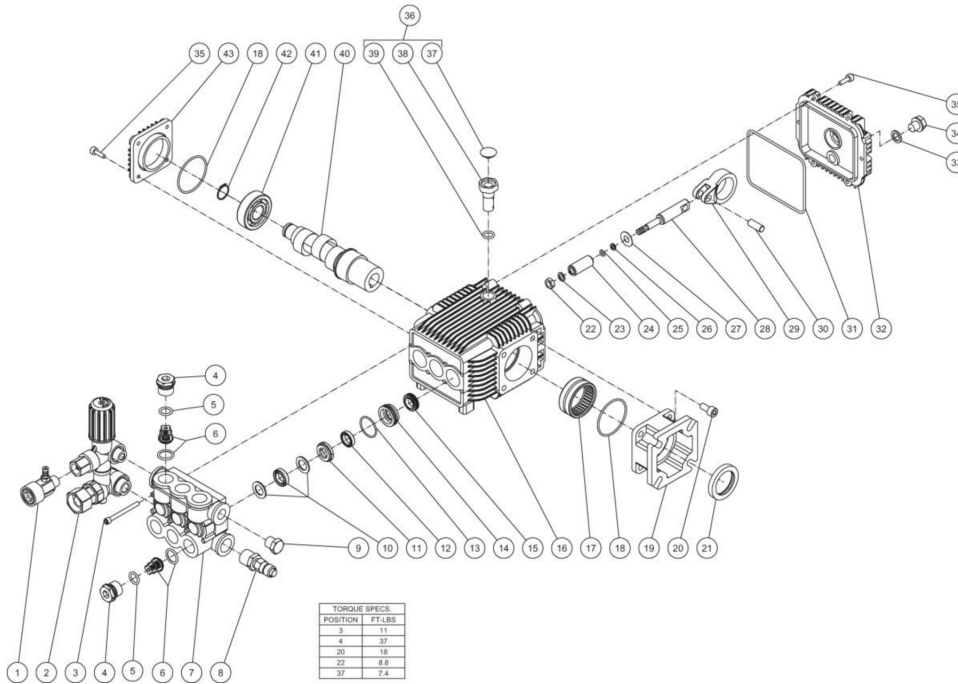
<b>Id</b>	<b>Item #</b>	<b>Description</b>	<b>Quantity</b>
7	5-0206	BASEPLATE	1
8	33-0018	CAP	2
9	14-0017	WHEEL	2
10	28-0008	WASHER	4
11	62-0176	SPACER	2
12	20-0518	AXLE	1
13	62-0175	BUSHING	2
14	7-0183	HANDLE	1
15	27-0070	BOLT	4
16	28-0003	WASHER	8
17	1-0088	ENGINE	1
17	1-0133	ENGINE	1
18	N/A	DECAL - RISK OF BURNS (SEE 34-9014)	1
19	N/A	DECAL - RISK OF FIRE (SEE 34-9014)	1
20	34-2213	DECAL-DIE CUT 2700 PSI	1
21	25-0122	O-RING	1
22	851-0095	GUN/WAND ASSEMBLY - (23-28)	1
23	17-0005	QUICK CONNECT	1
24	16-0001	GUN	1
25	7-0002	GRIP	1
26	16-0418	WAND	1
27	N/A	DECAL - RISK OF INJECTION (SEE 34-9014)	1
28	17-0001	QUICK CONNECT	1
29	25-0123	O-RING	2
30	851-0338	PRESSURE HOSE ASSEMBLY (31-33)	1
31	17-0004	QC SOCKET	1
32	15-0209	HOSE	1
33	17-0006	QUICK CONNECT	1
34	19-0233	DETERGENT HOSE	1
35	27-0092	BOLT	4
36	29-0007	LOCKWASHER	4
37	28-0022	WASHER	4
38	43-0073	KEY	1
39	56-0052	ISOLATION PLATE	1
40	3-0297	PUMP	1
41	34-2150	DECAL - CHOREMASTER 2600, 3000	1
42	N/A	DECAL - WARNING/CAUTION/OPERATION	1
43	18-0150	NOZZLE	1
43	18-0302	NOZZLE	1

<b>Id</b>	<b>Item #</b>	<b>Description</b>	<b>Quantity</b>
43	18-0303	NOZZLE	1
44	14-0096	ISOLATOR	4
45	33-0001	GROMMET	5
46	N/A	DECAL- SILVER STICKER	1
	34-9014	DECAL SET	1



CA-2703-8MHB / CA-2703-8MHB (sn:0-99999999)

## PUMP ASSEMBLY



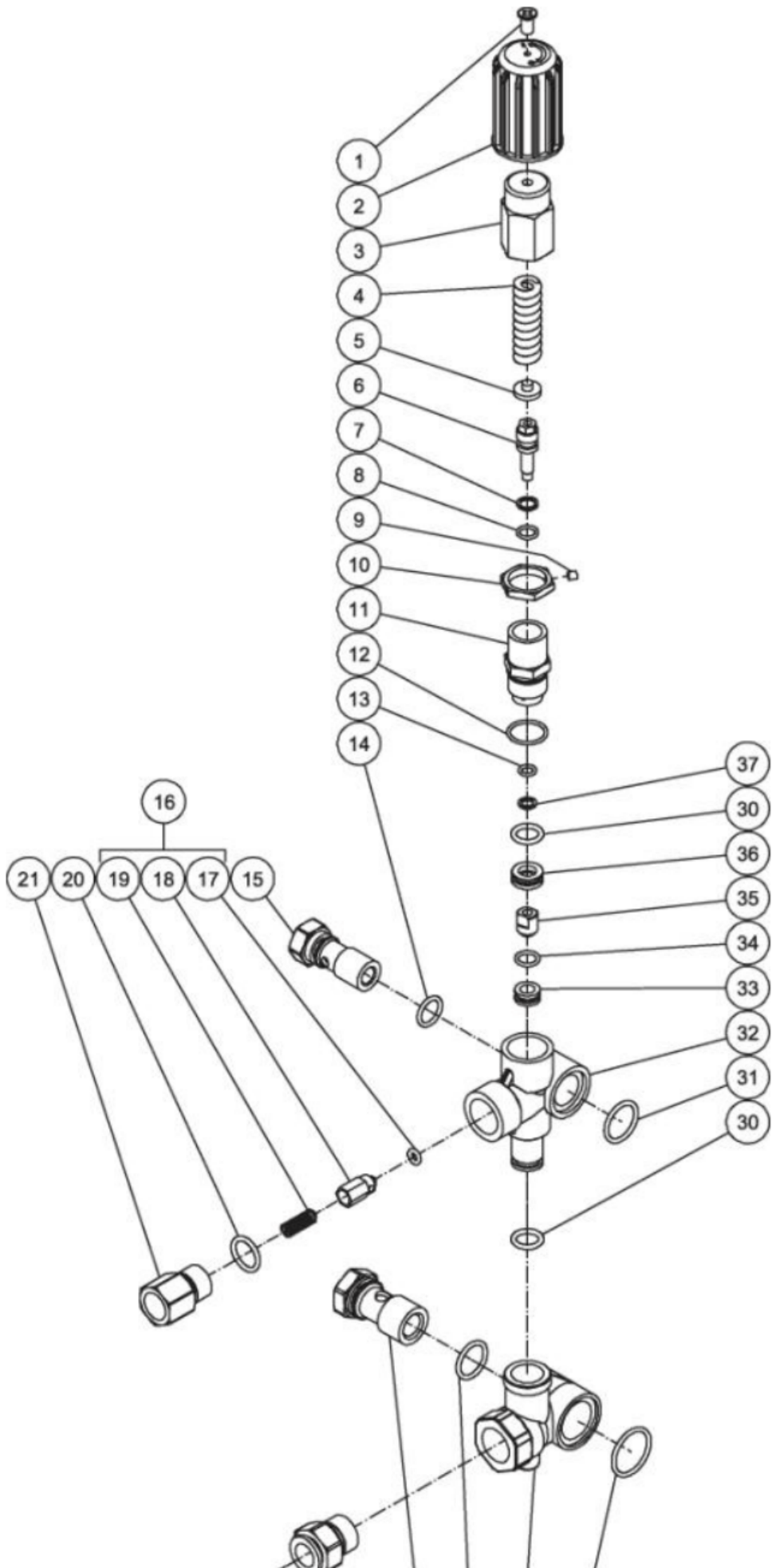
Id	Item #	Description	Quantity
1	70-0499	OUTLET CONNECTOR	1
2	8-0593	UNLOADER ASSEMBLY	1
3	27-9598	BOLT	8
4	39-0231	VALVE PLUG	6
5	25-0622	O-RING	6
6	N/A	VALVE ASSEMBLY (SEE 70-0502)	6
7	N/A	MANIFOLD HEAD	1
8	22-0005	THERMAL RELIEF VALVE	1
9	39-0203	OUTLET PLUG	1
10	N/A	HIGH PRESSURE PACKING	3
11	46-1311	SEAL COMPACTION RING	3
12	N/A	LOW PRESSURE SEAL	3
13	N/A	O-RING	3
14	46-1312	RETAINER RING	3
15	46-1313	OIL SEAL	3

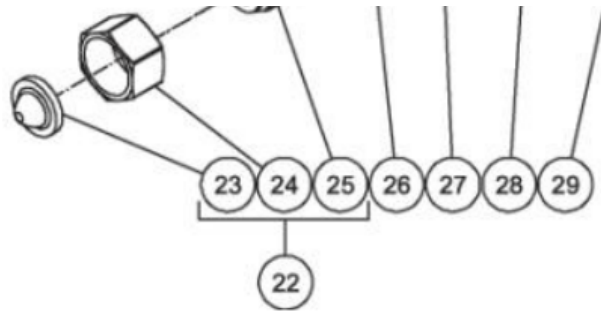
<b>Id</b>	<b>Item #</b>	<b>Description</b>	<b>Quantity</b>
16	N/A	CRANKCASE	1
17	N/A	NEEDLE BEARING	1
18	25-0603	O-RING	2
19	46-1314	FLANGE	1
20	27-8431	BOLT	4
21	26-0320	OIL SEAL	1
22	30-6016	NUT	3
23	28-0065	PLAIN WASHER	3
24	46-1315	PLUNGER CERAMIC	3
25	25-0163	O-RING	3
26	26-0321	BACKUP RING	3
27	46-1316	SLINGER WASHER	3
28	N/A	PLUNGER GUIDE	3
29	N/A	CONNECTING ROD	3
30	N/A	PISTON	3
31	25-0604	O-RING	1
32	46-1317	CRANKCASE COVER	1
33	26-0322	GASKET	1
34	39-0232	DRAIN PLUG	1
35	27-8401	BOLT	10
36	70-0503	DIPSTICK	1
37	N/A	OIL PLUG COVER	1
38	N/A	OIL PLUG	1
39	N/A	O-RING	1
40	N/A	CRANKSHAFT	1
41	48-0063	BALL BEARING	1
42	N/A	SNAP RING	1
43	N/A	CRANKSHAFT COVER	1
KIT	70-0502	VALVES KIT (INC. 6 EACH 6)	1
KIT	70-0501	PACKING KIT (INC. 3 EACH 10, 12)	1



CA-2703-8MHB / CA-2703-8MHB (sn:0-99999999)

# UNLOADER ASSEMBLY





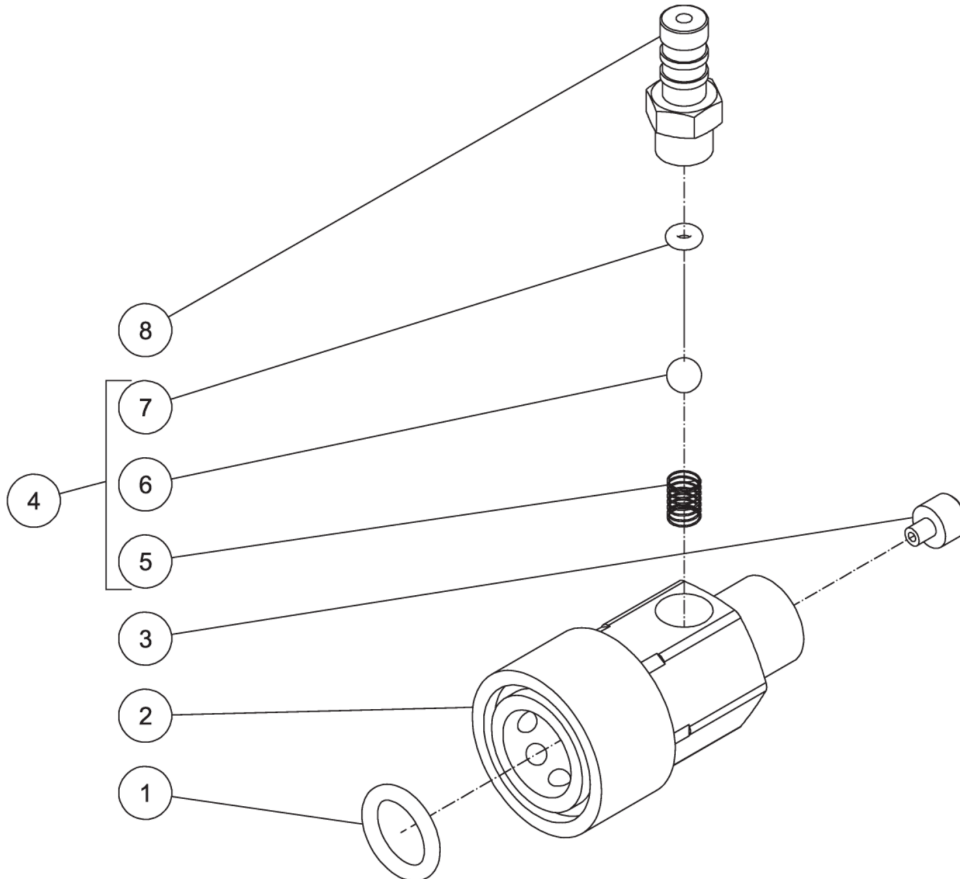
Id	Item #	Description	Quantity
1	N/A	SCREW	1
2	N/A	PLASTIC KNOB	1
3	N/A	KNOB	1
4	N/A	SPRING	1
5	N/A	SPRING SEAT	1
6	N/A	VALVE ROD	1
7	N/A	SUPPORT RING	1
8	25-0651	O-RING	1
9	N/A	SET SCREW	1
10	N/A	JAM NUT	1
11	N/A	UNLOADER VALVE BODY	1
12	25-0652	O-RING	1
13	25-0163	O-RING	1
14	25-0169	O-RING	1
15	8-0594	OUTLET BANJO BOLT	1
16	70-0500	KIT - NON-RETURN VALVE (INC. 17-19)	1
17	25-0653	O-RING	1
18	N/A	CHECKING VALVE	1
19	N/A	SPRING	1
20	25-0386	O-RING	1
21	46-1389	OUTLET CONNECTOR	1
22	23-0095	GARDEN HOSE INLET ASSY (INC. 23-25)	1
23	19-0001	FILTER	1
24	N/A	SWIVEL NUT	1
25	N/A	INLET CONNECTOR	1
26	8-0595	INLET BANJO BOLT	1
27	25-0602	O-RING	1
28	N/A	BY PASS HOUSING	1
29	25-0654	O-RING	1
30	25-0655	O-RING	2
31	25-0602	O-RING	1
32	N/A	VALVE HOUSING	1

<b>Id</b>	<b>Item #</b>	<b>Description</b>	<b>Quantity</b>
33	N/A	VALVE SEAT	1
34	25-0656	O-RING	1
35	N/A	BULLET	1
36	N/A	BY PASS JET UNLOADER	1
37	N/A	SUPPORT RING	1



CA-2703-8MHB / CA-2703-8MHB (sn:0-99999999)

## DETERGENT INJECTOR



Id	Item #	Description	Quantity
1	25-0123	O-RING	1
2	N/A	QUICK CONNECT	1
3	N/A	WATER INJECTION TUBE	1
4	70-0293	INJECTOR REPAIR KIT	1
5	N/A	SPRING	1
6	N/A	BALL	1
7	N/A	O-RING	1
8	46-0869	SOAP SUCTION NOZZLE	1