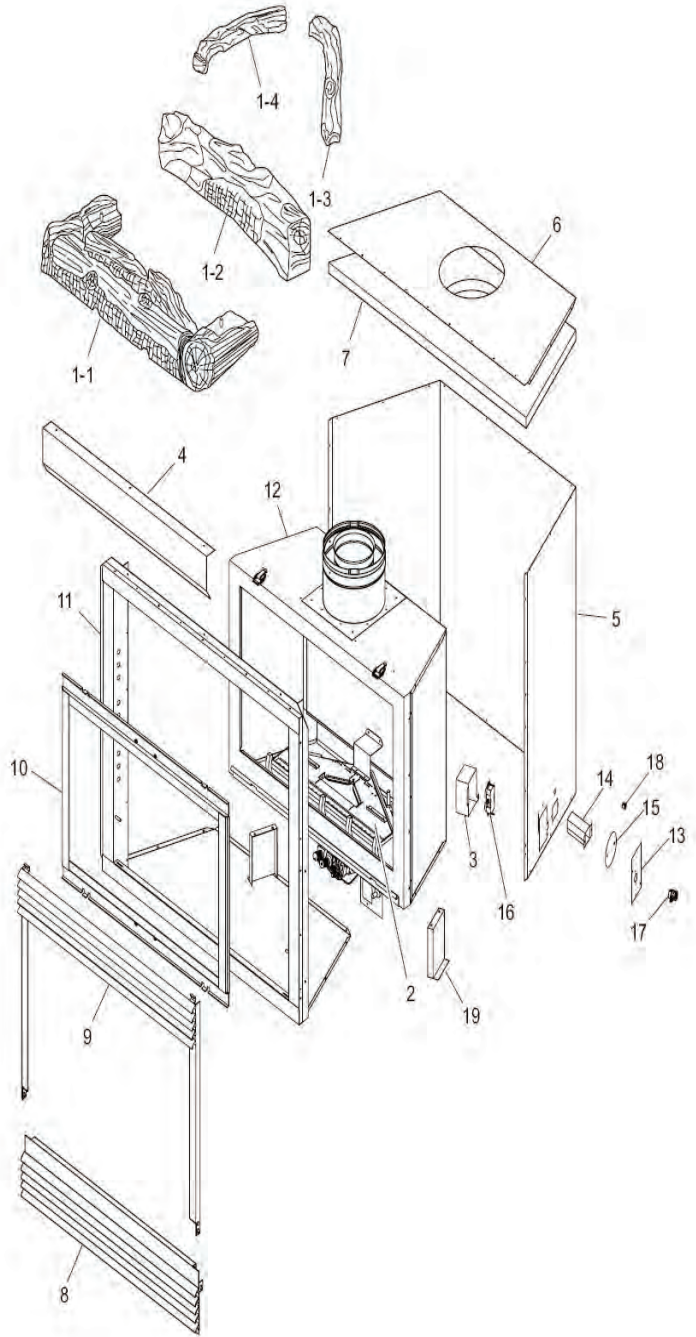


FMI Cottage 36" Direct Vent Firebox

MODELS: CD36RN, CD36RP, CD36TN, CD36TP, CD36RNE, CD36RPE, CD36TNE, CD36TPE

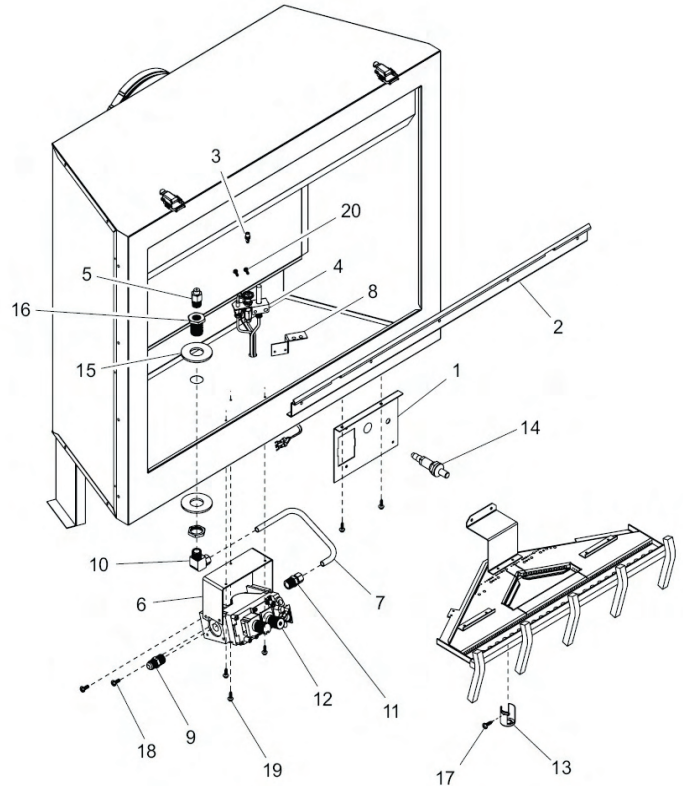
	Part Number	Description
1	116108-01	Log Set
1-1	116109-01	Burner Base Log
1-2	116110-01	Rear Log
1-3	111802-05	Right Top Log
1-4	111802-04	Left Top Log
2	115615-01	Burner Assembly
3	114889-01	Junction Box
4	114880-01	Heat Deflector
5	**	Fireplace Surround (Rear Vent)
	**	Fireplace Surround (Top Vent)
6	**	Fireplace Top (Rear Vent)
	**	Fireplace Top (Top Vent)
7		Fireplace Top Insulation
8	114873-01	Louver Bottom Assembly
9	114872-01	Louver Top Assembly
10	114871-01	Glass Door Assembly
11	**	Face Assembly
12	**	Firebox Assembly Complete
13	110973-01	Cover Junction Box
14	24460	Gas Conduit Assembly
15	21171	Gas Knock-Out Cover
16	14418	Duplex Plug Receptacle
17	14123	Bushing Universal Strain Relief
18	11408	Bushing 0.5" Electric
19	26290	Firebox Leg
PARTS AVAILABLE - NOT SHOWN		
	26839	Ember Bag Assembly



FMI Cottage 36" Direct Vent Millivolt Burner Assembly

MODELS: CD36RN, CD36RP, CD36TN, CD36TP

	Part Number	Description
1	116317-01	Remote/Ignitor Bracket
2	114886-01	Door Retainer Bracket
3	108085-01	Pilot Orifice #51 (Std. Natural)
	108085-02	Pilot Orifice #30 (Propane)
	108085-03	Pilot Orifice #62 (HA Natural)
4	108084-02	Pilot Assembly (Std. Natural)
	108084-05	Pilot Assembly (HA Natural)
	108084-03	Pilot Assembly (Propane)
5	27206	Burner Orifice #44 (Natural)
	26482	Burner Orifice #55 (LP)
6	26808	Valve Bracket
7	24389	Tube 3/8" Dia. x 11" Aluminum
8	24360	Pilot Bracket
9	14500	Fitting 3/8" MPT x 1/2" Flare
10	14399	Fitting Brass Elbow 3/8" MPT x 3/8" Comp. Tube
11	14396	Fitting Brass Straight 3/8" MPT x 3/8" Comp. Tube
12	14389	Gas Control Valve Millivolt (N)
	117370-01	Gas Control Valve Millivolt (HA)
	14390	Gas Control Valve Millivolt (LP)
13	14299	Air Shutter
14	097159-04	Ignitor Piezo
15	11226	Washer, Flat 7/8" ID x 2" OD x 1/8" Thick
16	11214	Fitting Bulkhead w/ Nut Brass
17	11187	Screw, #8 x 1/4" PPH
18	11107	Screw, #10-32 x 1/4" PPH Zinc
19	11105	Screw, #10 x 1/2" HWH LGM Zinc
20	11102	Screw, #8 x 3/8" PPH F Zinc



FMI Cottage 36" Direct Vent Elect. Ign. Burner Assembly

MODELS: CD36RNE, CD36RPE, CD36TNE, CD36TPE

Part Number	Description
1	Gas Valve Wire Harness (MV/PV)
2	Gas Valve Wire Harness (MV)
3	Gas Valve Wire Harness (PV)
4	Ignition Module Bracket
5	Door Retainer Bracket
6	Ground Wire Harness
7	Ignition Module Syntek
8	Plug 24" Supply Connect
9	Pilot Orifice BL14LP (Propane)
	108867-02 Pilot Orifice BL22N (Natural)
10	108866-01 Pilot Assembly PSE (Natural)
	108866-02 Pilot Assembly PSE (Propane)
11	27206 Burner Orifice #44
	26482 Burner Orifice #55
12	26808 Valve Bracket
13	24389 Tube 3/8" Dia. x 11" Aluminum
14	24360 Pilot Bracket
15	14569 Gas Control Valve (N)
	14570 Gas Control Valve (LP)
16	14500 Fitting 3/8" MPT x 1/2" Flare
17	14399 Fitting Brass Elbow 3/8" MPT x 3/8" Comp. Tube
18	14396 Fitting Brass Straight 3/8" MPT x 3/8" Comp. Tube
19	14299 Air Shutter
20	14129 Transformer, 24V Class 2
21	11404 Cable, Tie 8.5" #10 Screwdown
22	11226 Washer, Flat 7/8" ID x 2" OD x 1/8" Thick
23	11214 Fitting Bulkhead w/ Nut, Brass
24	11201 Nut, #8-32 Hex Zinc
25	11186 Screw, #8-32 x 1" PPH
26	11187 Screw, #8 x 1/4" PPH
27	11109 Screw, #8-32 x 1/2" PPH
28	11107 Screw, #10-32 x 1/4" PPH Zinc
29	11105 Screw, #10 x 1/2" HWH LGM Z
30	11102 Screw, #8 x 3/8" PPH F Zinc

