

FIGURE 3 - PARTS LIST: MK-4030B CONCRETE SAW P/N 167439-30

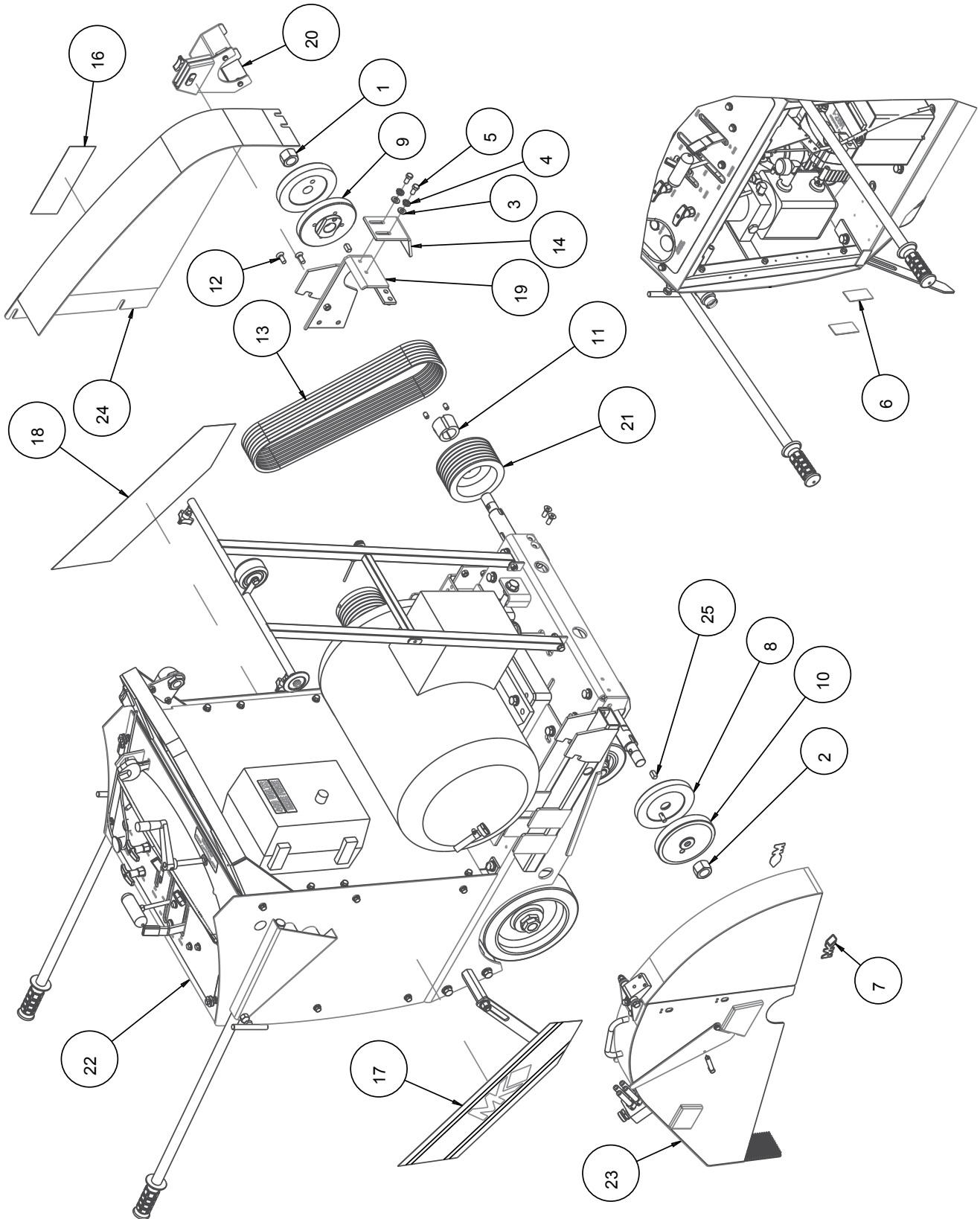


FIGURE 3 - PARTS LIST: MK-4030B CONCRETE SAW P/N 167439-30

ITEM NO.	DESCRIPTION	PART #	QTY.
1	NUT, 1 - 14 RIGHT HAND	138693	1
2	NUT, 1 - 14 LEFT HAND	138701	1
3	WASHER, FLAT, SAE, 3/8	150923	2
4	WASHER, LOCK, SPLIT, 3/8	150925	2
5	SCREW, HEX, 3/8-16 X 3/4	153527	2
6	TAG, SERIAL NUMBER, BLANK	157500-RW	2
7	LOGO, MK ADHESIVE	157914	2
8	ASSY, FLANGE, 6" INNER, LH	160785	1
9	ASSY, FLANGE, 6" INNER, RH	160786	1
10	FLANGE, 6" OUTER	160800	2
11	BUSHING, TPR-LOCK, 1615 X 1-3/8	160811	1
12	SCREW, 3/8-16 X 1 FLATHEAD MACHINE	162067	4
13	BELT, V, 3VX475	165689	7
14	PLATE, BELT PROTECTOR	165707	1
15	SHEET, LABEL, MK LOGO, 4000	165709	1
16	LABEL, MK LOGO	165709	1
17	LABEL, RIGHT TOWER	165709	1
18	LABEL, LEFT TOWER	165709	1
19	CORNER, FRAME	165871	1
20	ASSY, SHAFT GUARD	166056	1
21	PULLEY, 7/3VX 5.75 X 1615TB	167278	1
22	4000B PARENT	167439	1
23	ASSY, BLADE GUARD 30", WHITE	168279-30-WH	1
24	GUARD, ENGINE, LEFT, ELEC	168740	1
25	KEY, SQR, 3/8 X 3/4	169371	2

FIGURE 5 - PARTS LIST: MK-4000B CONCRETE SAW PARENT P/N 167439

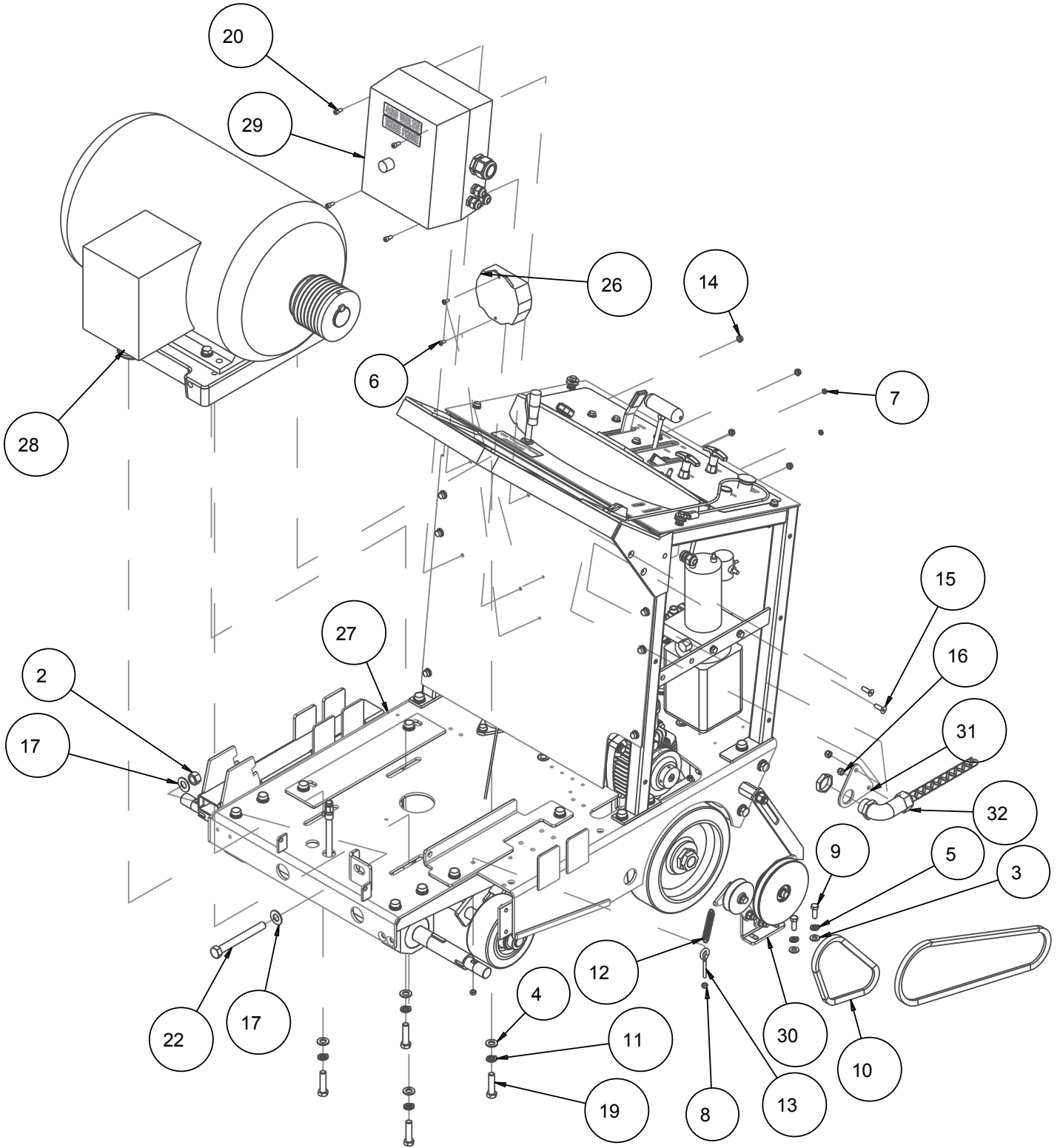
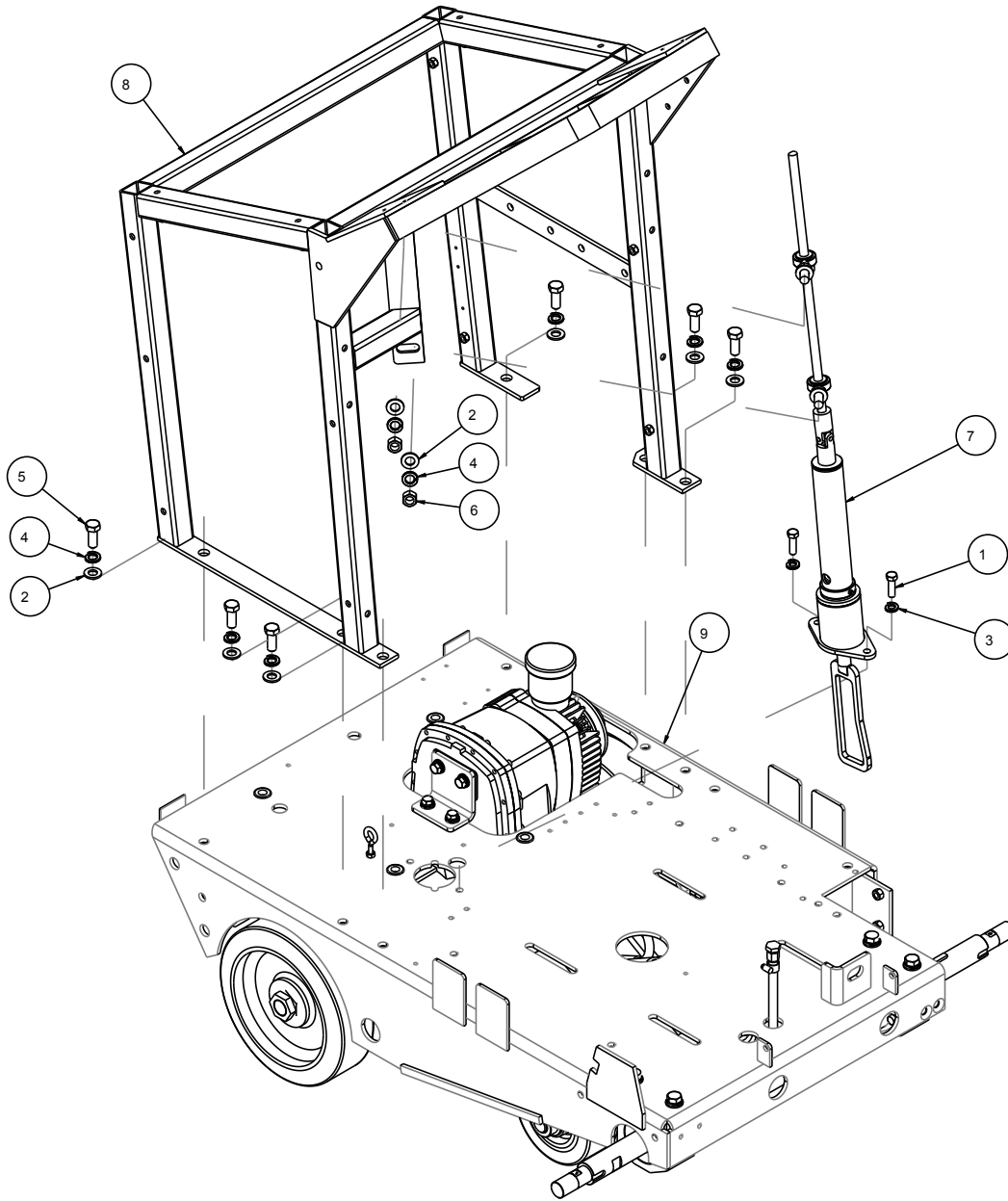


FIGURE 5 - PARTS LIST: MK-4000B CONCRETE SAW PARENT P/N 167439

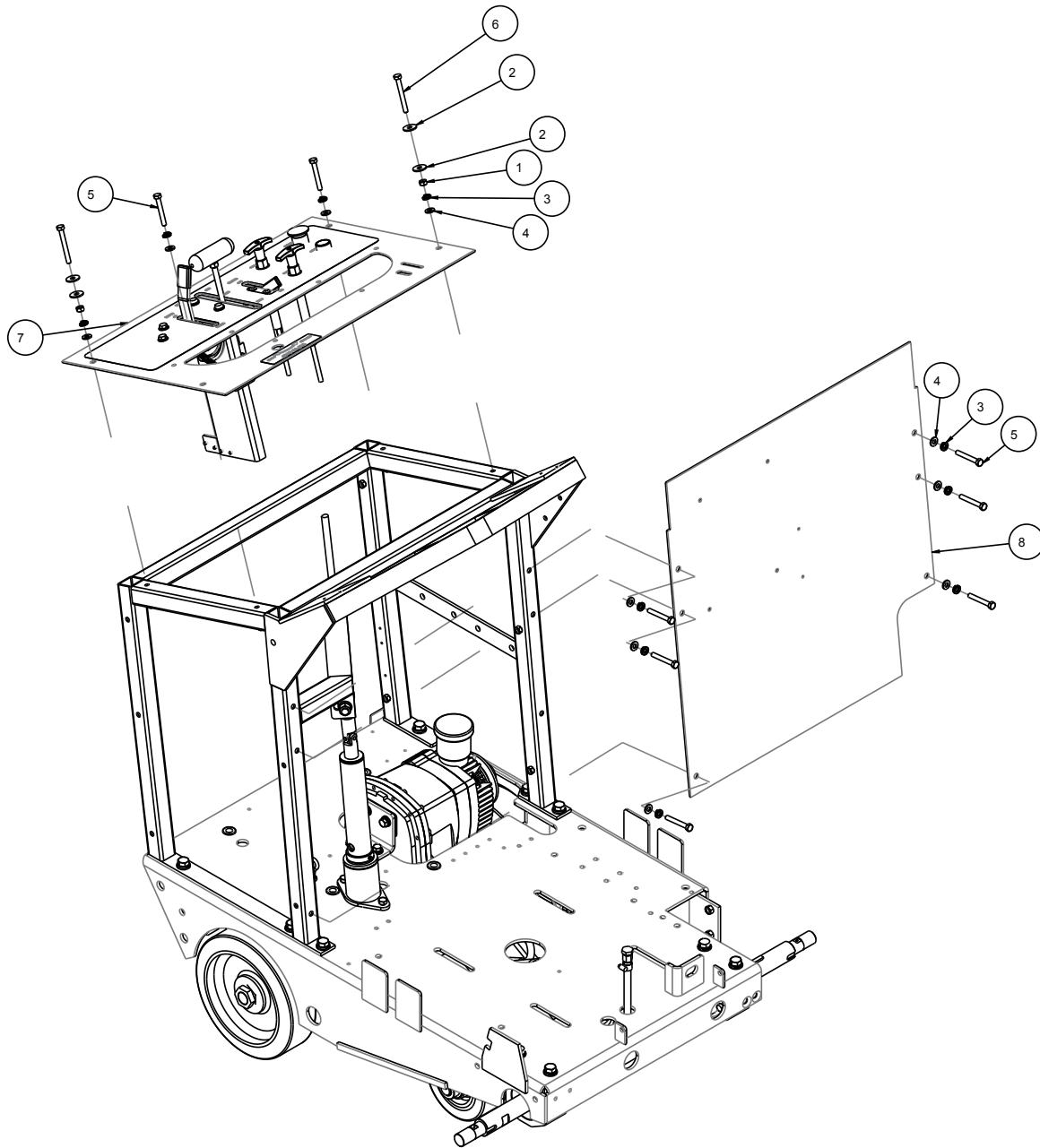
ITEM NO.	DESCRIPTION	PART #	QTY.
1	NUT, HEX, 3/8-16	101188	2
2	NUT, HEX, 5/8-18	135848	1
3	WASHER, FLAT, SAE, 3/8	150923	2
4	WASHER, 1/2 SAE FLAT	150924	4
5	WASHER, LOCK, SPLIT, 3/8	150925	2
6	SCREW, PAN HD, #10-24X1/2	151744	2
7	NUT, HEX, 10-24	151749	2
8	NUT, HEX, 1/4-20	151893	2
9	SCREW, HEX HD CAP, 3/8-16 X 1	152507	4
10	BELT, AX-24	153212	1
11	WASHER, 1/2 SPLIT LOCK	153524	4
12	SPRING, 9/16 X 2.5 EXTENSION	153807	1
13	EYEBOLT, 1/4-20 X 2	153887	1
14	NUT, HEX, TW, 1/4-20	153941	4
15	SCREW, 5/16-18 X 1.0 FLAT HEAD SOCKET	155552	2
16	NUT, HEX, NYLK, 5/16-18	158289	2
17	WASHER, FLAT, 5/8 SAE	158350	2
18	CONNECTOR, CORD, LTF11	159582	1
19	BOLT, 1/2-13 X 2.0 HEX HEAD TAP	162598	4
20	SCREW, 1/4-20 X 1/2 SOCKET HEAD CAP	162778	4
21	BELT, AX-42	164560	1
22	SCRW, HEX, TAP, 5/8-11 X 5-1/2	167279	1
23	BRACKET, BLADE GUARD, 3000E	167435	1
24	CORD, ELEC. SEOWW 18/3, 25'	168571	1
25	CORD, ELEC. SEOWW 8/4 BLACK, 15'	168572	1
26	BATTERY CHARGER, TRICKEL	168628	1
27	ASSY, 4000B SUB	168702	1
28	ASSY, MOTOR, 4000B	168704	1
29	ASSY, SWITCH, 30HP, 460V	168734	1
30	ASY, TRANS IDLER, B	168737	1
31	BRACKET, CORD, 4000B	168738	1
32	STRAIN RELIEF, ELBOW, 1" NPT	168739	1

FIGURE 6 - PARTS LIST: MK-4000B CONCRETE SAW P/N 168702



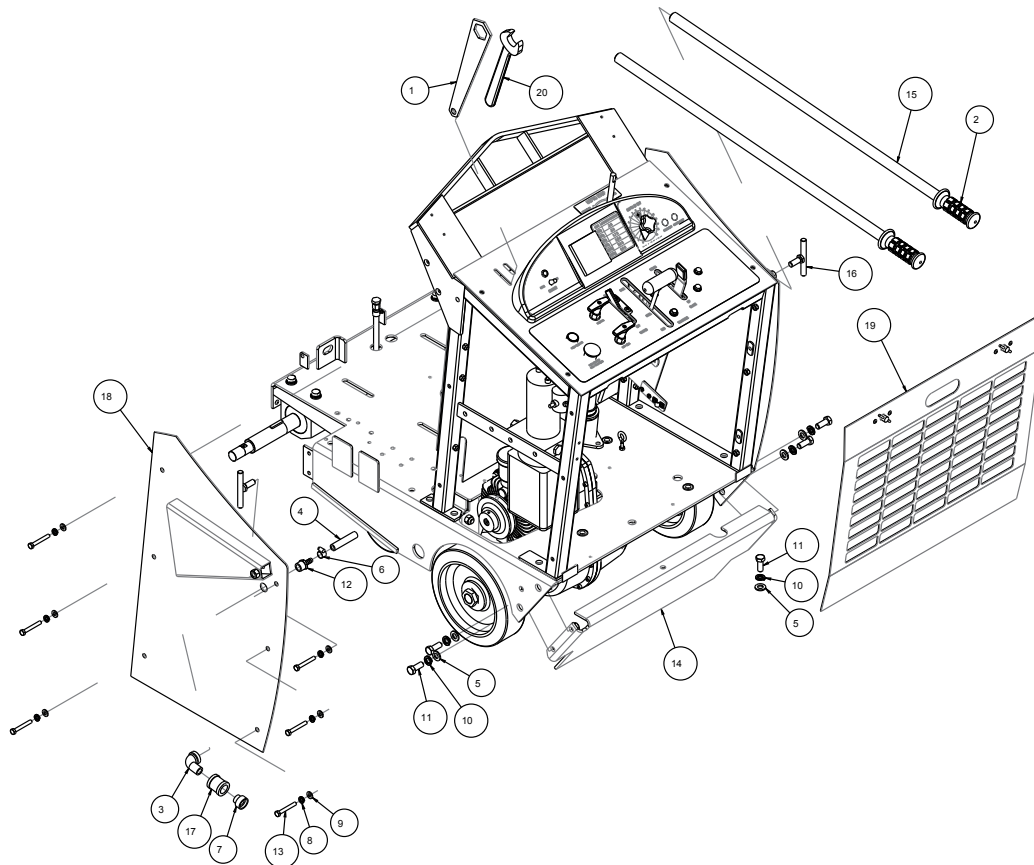
ITEM NO.	DESCRIPTION	PART #.	QTY.
1	SCREW, 3/8-16 X 1-1/4 HEX HEAD CAP	150774	2
2	WASHER, 1/2 SAE FLAT	150924	8
3	WASHER, LOCK, SPLIT, 3/8	150925	2
4	WASHER, 1/2 SPLIT LOCK	153524	8
5	SCREW, 1/2-13 X 1-1/4 HEX HEAD CAP	153532	6
6	NUT, 1/2-20 HEX	162586	2
7	ASSY, DEPTH STOP	165710	1
8	TOWER WELDMENT, RADIATOR	167199	1
9	ASSY, FRAME SUB, ELEC	169577	1

FIGURE 6 - PARTS LIST: MK-4000B CONCRETE SAW P/N 168702



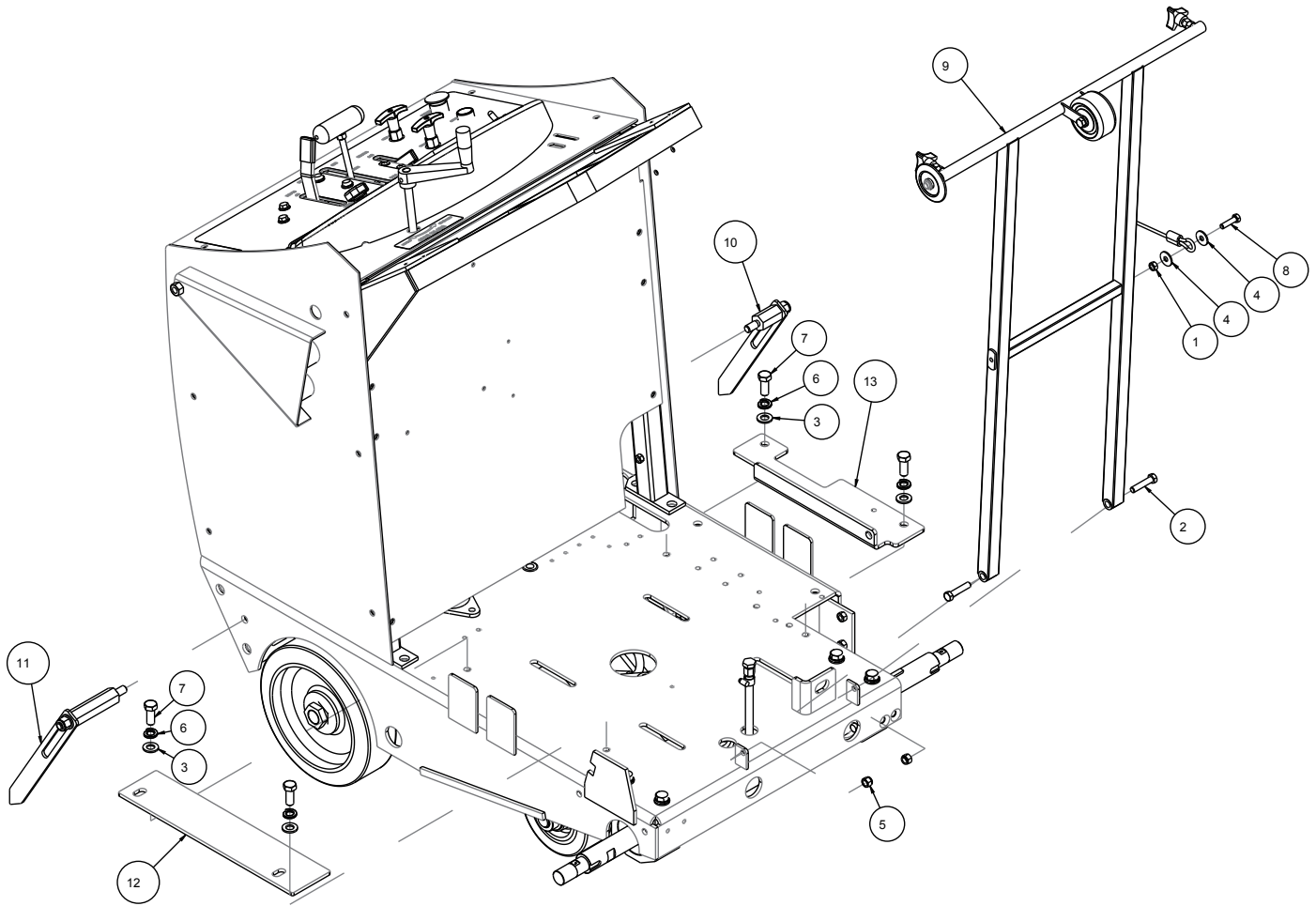
ITEM NO.	DESCRIPTION	PART #.	QTY.
1	NUT, HEX, 5/16-18	101196	2
2	WASHER, FENDER, 5/16 X 1.0	151053	4
3	WASHER, LOCK, SPLIT, 5/16	151747	10
4	WASHER, FLAT, SAE, 5/16	151754	10
5	SCREW, HEX, 5/16-18 X 2-1/4	153951	8
6	BOLT, 5/16-18 X 2-3/4 HEX HEAD TAP	156974	2
7	ASSY, CONTROL PANEL, 4000B	168705	1
8	PANEL, FRONT, 4000B	168741	1

FIGURE 6 - PARTS LIST: MK-4000B CONCRETE SAW P/N 168702



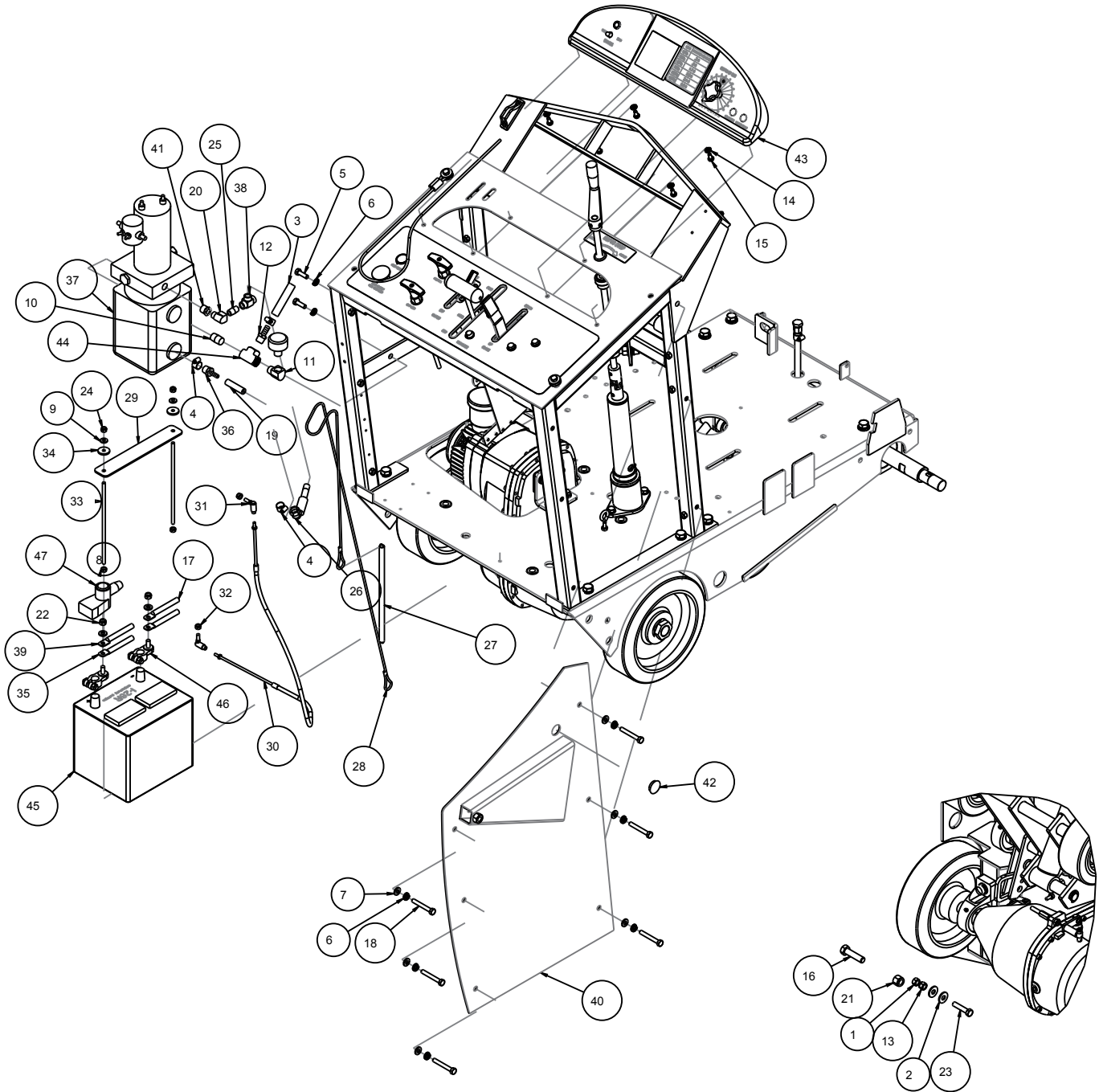
ITEM NO.	DESCRIPTION	PART #.	QTY.
1	WRENCH, BOX END, 1-1/2 X 9/16	137976	1
2	GRIP, HANDLE, 1.0 ID	150842	2
3	ELBOW, 1/2 MNPT 90 STREET, GALV	150844	1
4	HOSE, 3/8 X 5/8 VINYL 18"	150845	1
5	WASHER, 1/2 SAE FLAT	150924	5
6	CLAMP, HOSE, 5/8	151198	1
7	FITTING, 1/2 MNPT X 3/4 FNH	151322	1
8	WASHER, LOCK, SPLIT, 5/16	151747	12
9	WASHER, FLAT, SAE, 5/16	151754	12
10	WASHER, 1/2 SPLIT LOCK	153524	5
11	SCREW, 1/2-13 X 1-1/4 HEX HEAD CAP	153532	5
12	FITTING, 1/2 MNPT X 3/8 BARB	153653	1
13	SCREW, HEX, 5/16-18X 2-1/4	153951	12
14	PLATE, REAR FRAME	161106	1
15	HANDLEBAR	161158	2
16	KNOB, 1/2-13 T-HANDLER	162635	2
17	FITTING, 1/2 NPT COUPLER	164208	1
18	PANEL, TOWER, LH	167285	1
19	ASSY, BACK PANEL, LATCHING	167505	1
20	WRENCH, 1" OPEN END	169382	1

FIGURE 6 - PARTS LIST: MK-4000B CONCRETE SAW P/N 168702



ITEM NO.	DESCRIPTION	PART #.	QTY.
1	NUT, HEX, 5/16-18	101196	1
2	SCREW, HEX HD, 3/8-16 X 1-3/4	150920	2
3	WASHER, 1/2 SAE FLAT	150924	4
4	WASHER, FENDER, 5/16 X 1.0	151053	2
5	NUT, HEX NYLK, 3/8-16	152505	2
6	WASHER, 1/2 SPLIT LOCK	153524	4
7	SCREW, 1/2-13 X 1-1/4 HEX HEAD CAP	153532	4
8	SCREW, HEX HD, 5/16-18 X 1-1/4	153950	1
9	ASSY, POINTER, FRONT	160931	1
10	ASSY, REAR POINTER	163824	1
11	ASSY, REAR PNTR EXT	163824-EXT	1
12	BRACKET, ENGINE GUIDE, RIGHT	167242	1
13	BRACKET, ENGINE GUIDE, LEFT	167243	1

FIGURE 6 - PARTS LIST: MK-4000B CONCRETE SAW P/N 168702

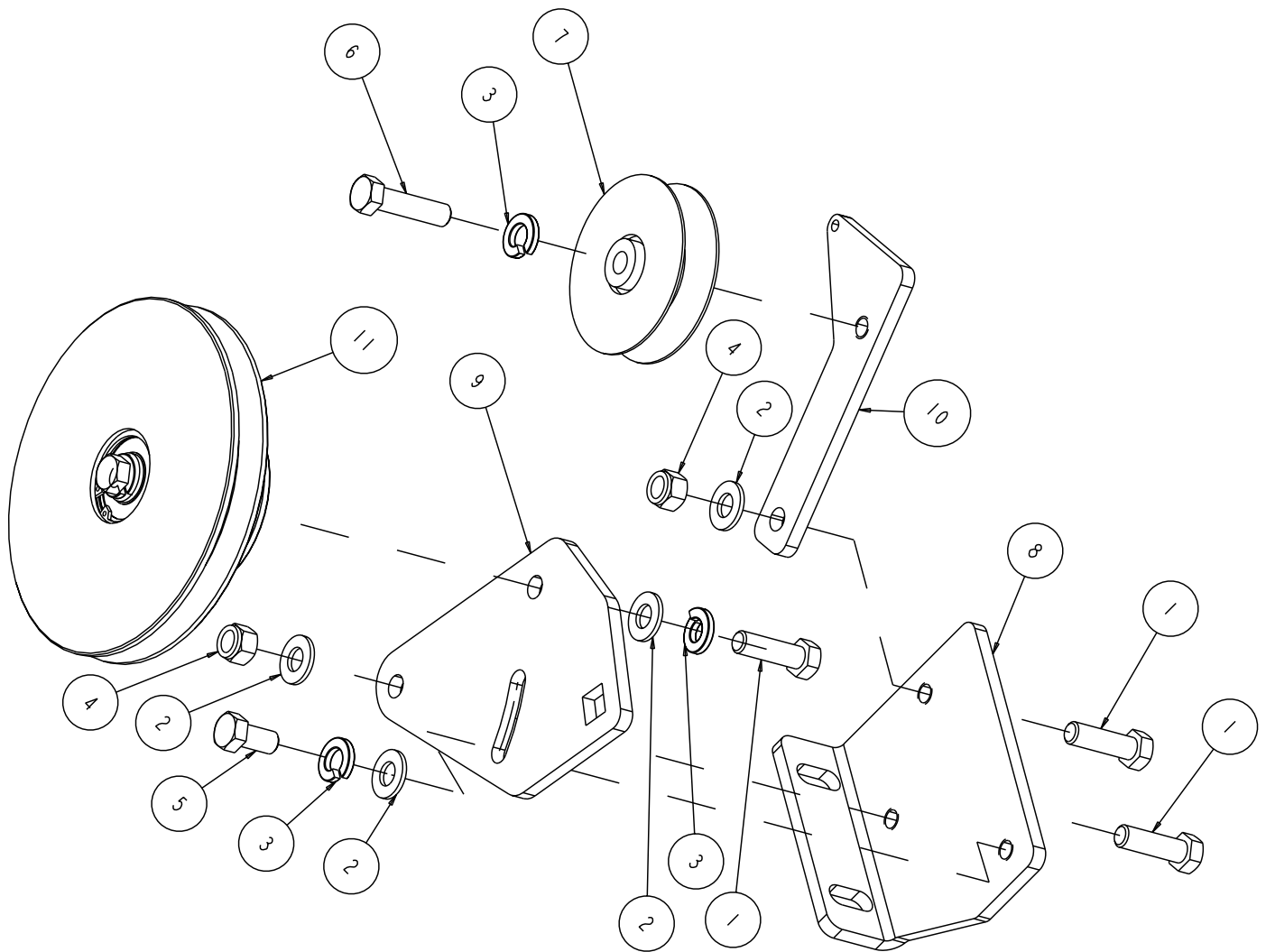


ITEM NO.	DESCRIPTION	PART #	QTY.
1	NUT, HEX,3/8-16	101188	1
2	WASHER, FLAT, USS, 3/8	101360	2
3	HOSE, 3/8 X 5/8 VINYL, 60"	150845	1
4	CLAMP, HOSE, 5/8	151198	3
5	SCREW, HEX HD, 5/16-18 X1	151743	2
6	WASHER, LOCK, SPLIT, 5/16	151747	8

FIGURE 6 - PARTS LIST: MK-4000B CONCRETE SAW P/N 168702

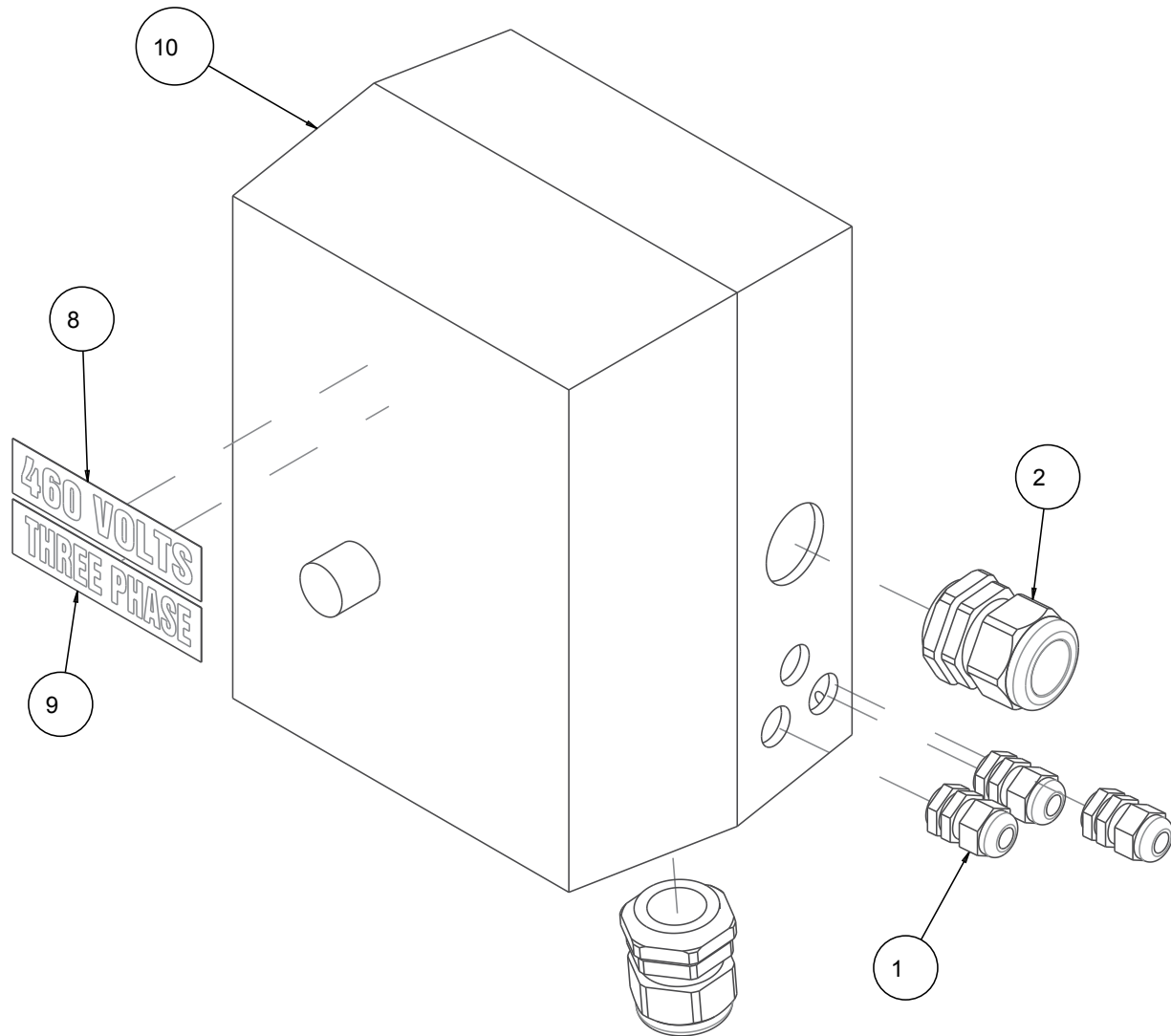
ITEM NO.	DESCRIPTION	PART #	QTY.
7	WASHER, FLAT, SAE, 5/16	151754	8
8	NUT, HEX, 1/4-20	151893	2
9	WASHER, FLAT, SAE, 1/4	151915	2
10	NIPPLE, 3/8 MNPT X CLOSE	152073	1
11	ELBOW, STREET, 3/8 NPT X 90, BRASS	152074	1
12	FITTING, 3/8 MNPT X 3/8 BARB	152076	1
13	NUT, HEX, NYLK, 3/8-16	152505	1
14	WASHER, LOCK, SPLIT, 1/4	152591	6
15	SCREW, 1/4-20 X 1/2 HEX HEAD	152608	6
16	SCREW, HEX HD 1/2-13 X 2	153533	1
17	CABLE, 4GA X 24 BLACK BATTERY	153849	2
18	SCREW, HEX, 5/16-18 X 2-1/4	153951	6
19	HOSE, 1/4 FUEL, 36" LONG	154163	1
20	ELBOW, 1/4MNPT STREET	154615	1
21	NUT, 1/2-13 NYLOK HEX	155162	1
22	NUT, HEX, NYLK, 5/16-18	158289	2
23	SCREW, 3/8-16 X 1-3/4 HEX HD	158398	1
24	NUT, HEX, NYLK, 1/4-20	159857	2
25	NIPPLE, 1/4NPT X CLOSE, BRASS	159905	1
26	HOSE, 1/4NPT X 9/16JIC90 HYD	162600	1
27	SPRING, 44 X 10.3 X .041 EXTENSION	162627	1
28	CABLE, 52" DEPTH INDICATOR	162628	1
29	BRACKET, BATTERY HOLDDOWN	162647	1
30	CABLE, TRANS CONTROL	162858	1
31	BALL JOINT, 30 SERIES	162859	2
32	NUT, HEX, NYLK, 1/4-28	163936	2
33	STUD, 1/4-20 X 8.5	164212	2
34	WASHER, 1/4 RUBBER FENDER	164593	2
35	CABLE, 4GA X 52 RED BATTERY	166050	1
36	FITTING, 3/8 MNPT X 1/4 BARB, BRASS	167239	1
37	PUMP, HYDRAULIC	167271	1
38	FITTING, TEE, 1/4 FNPT, BRASS	167272	1
39	CABLE, 4GA X 29 RED BATTERY	167273	1
40	PANEL, TOWER, RH	167284	1
41	FITTING, 3/8 MNPT X 1/4 FNPT	167506	1
42	PLUG, HOLE PLASTIC 1.0"	167941	1
43	ASSY, INSTRUMENT PANEL, 4000B	168703	1
44	TEE, 3/8NPT, BRASS	170387	1
45	BATTERY, 12 VOLT 90 AMP-HOUR	170458	1
46	TERMINAL, BATTERY, MARINE POST	170459	2
47	INSULATOR, BATTERY TERM, MARINE	170460	1

FIGURE 7 - PARTS LIST: ASSY, TRANS IDLER P/N 168737



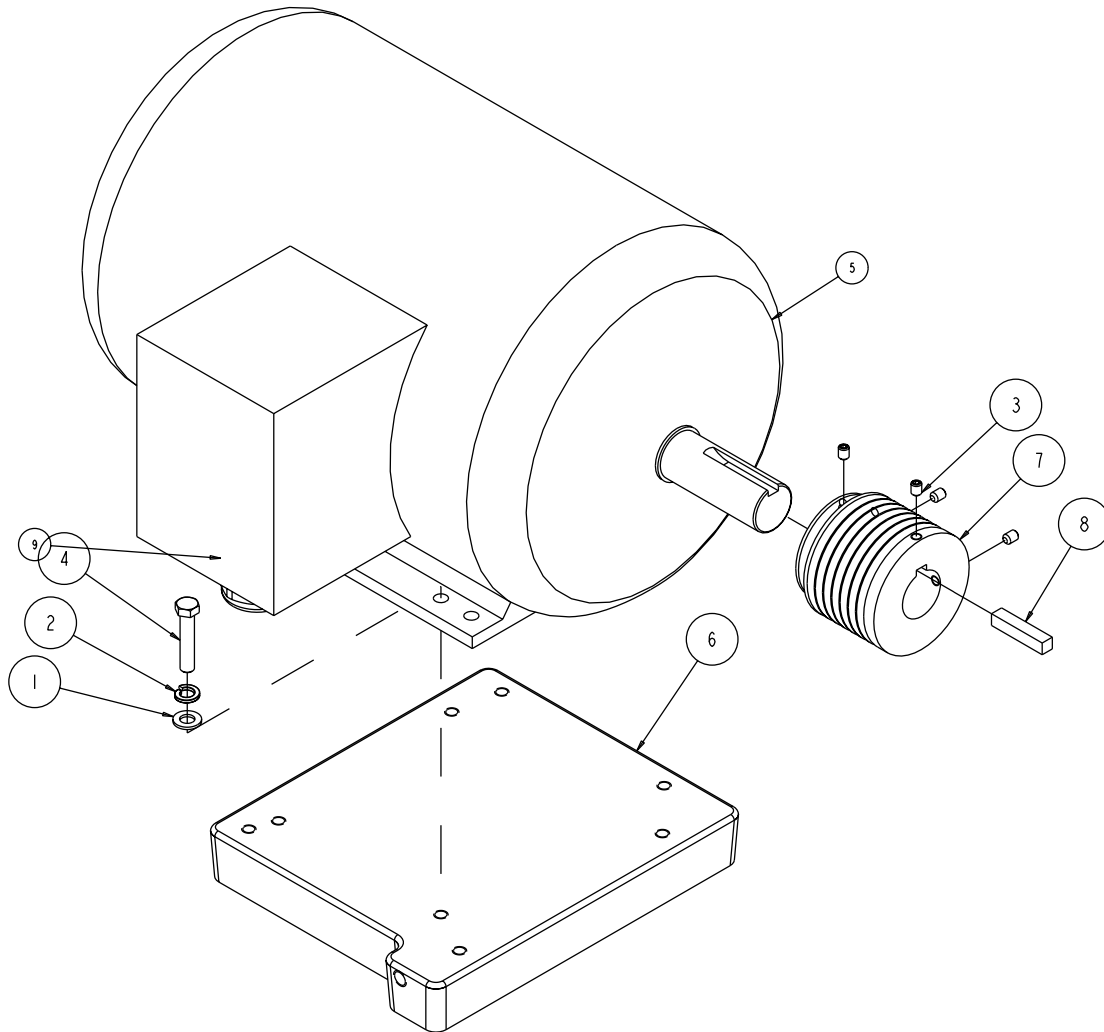
ITEM NO.	DESCRIPTION	PART #	QTY.
1	SCREW, 3/8-16 X 1-1/4 HEX HEAD CAP	150774	3
2	WASHER, 3/8 SAE FLAT	150923	4
3	WASHER, 3/8 SPLIT LOCK	150925	3
4	NUT, 3/8-16 NYLOK HEX	152505	2
5	SCREW, HEX, 3/8-16 X 3/4	153527	1
6	SCREW, 3/8-16 X 1-1/2 HEX HEAD	153528	1
7	PULLEY, IDLER, BV3001	153797	1
8	BRACKET, IDLER TOWER	165699	1
9	ARM, TRANS BELT TENSIONER	156700	1
10	ARM, TRANS BELT IDLER	165701	1
11	ASSY, PULLEY, TRANS BELT, B	168736	1

FIGURE 8 - PARTS LIST: ASSY, SWITCH, 30HP, 460V P/N 168734



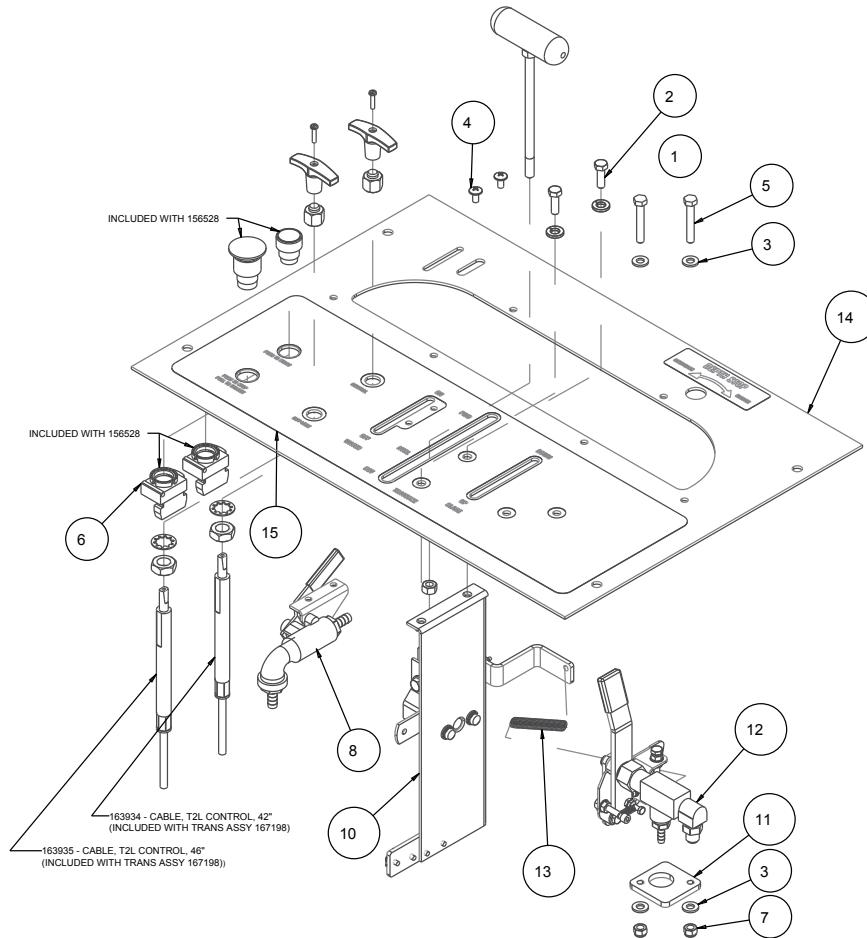
ITEM NO.	DESCRIPTION	PART #	QTY.
1	CONNECTOR, CORD,LTF11	159582	3
2	CONNECTOR, CORD, PG29	160689	2
3	TERMINAL, 8GA X #10 RING	166276	2
4	TRANSFORMER, 480V-120/240V, 75KVA	168625	1
5	COIL, 100:5	168631	1
6	FUSE, MIDGET, 1A	168649	1
7	FUSE, MIDGET, .3A	168651	2
8	LABEL, 460V	168652	1
9	LABEL, THREE PHASE	168655	1
10	STARTER, 30 HP 460V 3 PH	168733	1

FIGURE 9 - PARTS LIST: ASSY, MOTOR P/N 168704



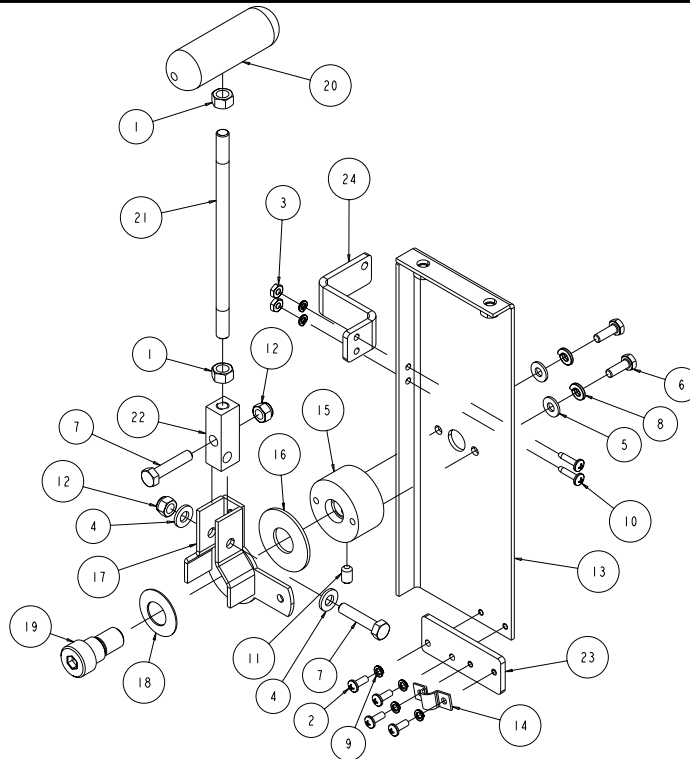
ITEM NO.	DESCRIPTION	PART #	QTY.
1	WASHER, 1/2 SAE FLAT	150924	4
2	WASHER, 1/2 SPLIT LOCK	153524	4
3	SCREW, SET, SOC, CUPT, 3/8-16X1/2	153710	4
4	BOLT, 1/2-13 X 2.0 HEX HEAD TAP	162598	4
5	MTR, 30HP 230/460 3PH	167489	1
6	CASTING, MTR MT, 4000B- COMP	168730	1
7	PULLEY, 7/3VX 4.7 X 1-7/8 BORE	168731	1
8	KEY, SQR, 3/8 X 4.0	168732	1
9	CONNECTOR, CORD, 1-1/2" NPT	169608	1

FIGURE 10 - PARTS LIST: ASSY, CONTROL PANEL, P/N 168705



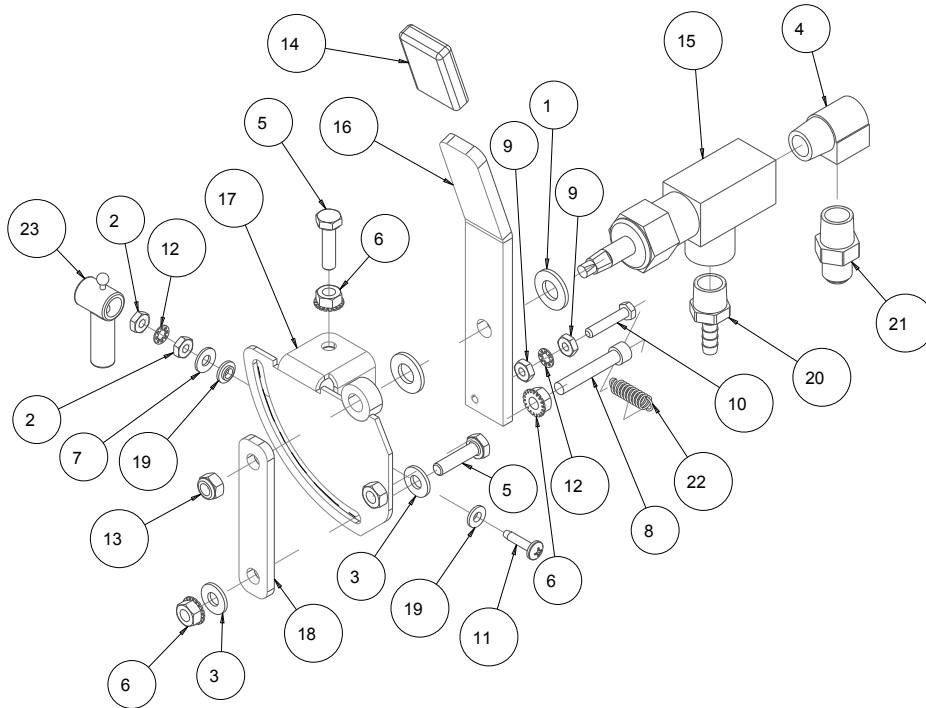
ITEM NO.	DESCRIPTION	QTY.	PART #T
1	WASHER, 3/8 SPLIT LOCK	150925	2
2	SCREW, HEX HD, 5/16-18 X 1	151743	2
3	WASHER, FLAT 5/16 SAE	151754	4
4	SCREW, 1/4-20 X 1/2 TRUSS HEAD	153880	2
5	SCREW, 5/16-18 X 2 HEX HEAD	155494	2
6	ASSY, PUSH BUTTON MK-5000 3PH	156528	1
7	NUT, 5/16-18 NYLOK HEX	158289	2
8	ASSY, WATER VALVE	164161	1
9	LABEL, SET, CONTROL PANEL	167218	1
10	ASSY, CONTROLHEAD, FNR	167226	1
11	PLATE, UP/DOWN CONTROL MOUNT	167232	1
12	ASSY, UP/DOWN CONTROL	167233	1
13	SPRING, EXT, 7/160D X .048WD X 3.0L	167270	1
14	PANEL, CONTROL	168742	1
15	LABEL, CONTROL PANEL, 4000B	168746	1

FIGURE 11 - PARTS LIST: ASSY, CONTROLHEAD, FNT SUB P/N 167226



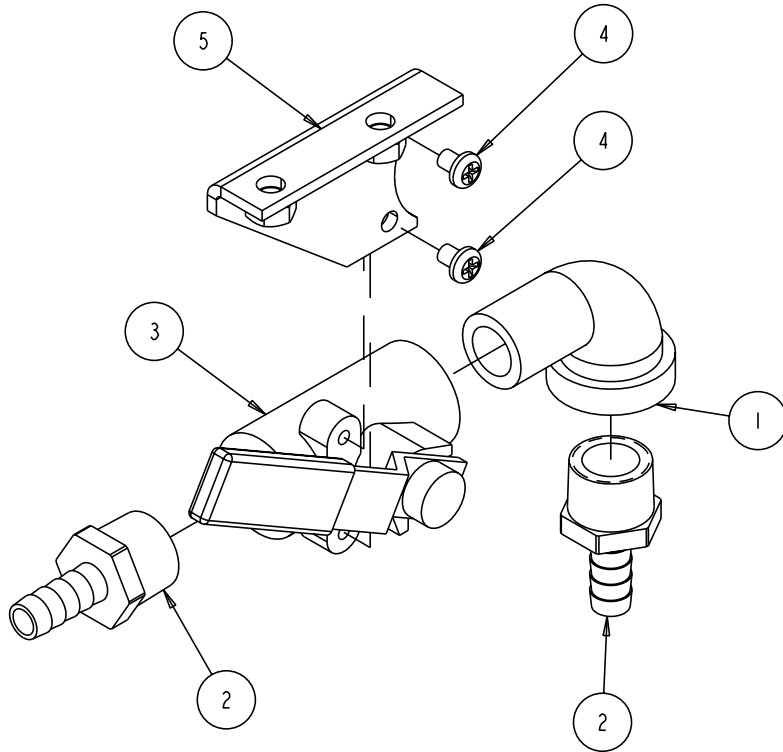
ITEM NO.	DESCRIPTION	PART #	QTY.
1	NUT, 3/8-16 HEX	2	101188
2	SCREW, 10-24 X 1/2 PAN HEAD PHILLIPS MACHINE	4	151744
3	NUT, 10-24 HEX	2	151749
4	WASHER, 5/16 SAE FLAT	2	151754
5	WASHER, 1/4 SAE FLAT	2	151915
6	SCREW, 1/4-20 X 3/4 HEX HEAD MACHINE	2	152370
7	SCREW, 5/16-18 X 1-1/2 HEX HEAD MACHINE	2	152467
8	WASHER, 1/4 SPLIT LOCK	2	152591
9	WASHER, #10 SPLIT LOCK	6	153684
10	SCREW, PAN HD PHIL MS 10-24X3/4	2	156641
11	SCREW, 5/16 - 18 X 3/8 SOCKET HEAD SET	1	157084
12	NUT, 5/16-18 NYLON HEX	2	158289
13	BRACKET, FNR CONTROL	1	162634
14	CLAMP, 30 SERIES CONDUIT	1	162860
15	JOURNAL, FNR CONTROL	1	162889
16	WASHER, 2.0 X .812 X .088 NYLON	1	162890
17	BRACKET, FNR PIVOT	1	162891
18	SPRING, 1.50 X .755 X .045, DISK	1	162892
19	SCREW, 3/4 X 1/2 SOCKET HEAD SHOULDER	1	162893
20	HANDLE, FNR GRIP	1	167227
21	BAR, FNR HANDLE	1	167228
22	BLOCK, FNR HANDLE	1	167229
23	PLATE, FNR CABLE	1	167230
24	BRACKET, FNR SPRING	1	167231

FIGURE 12 - PARTS LIST: ASSY, UP/DOWN CONTROL P/N 167233



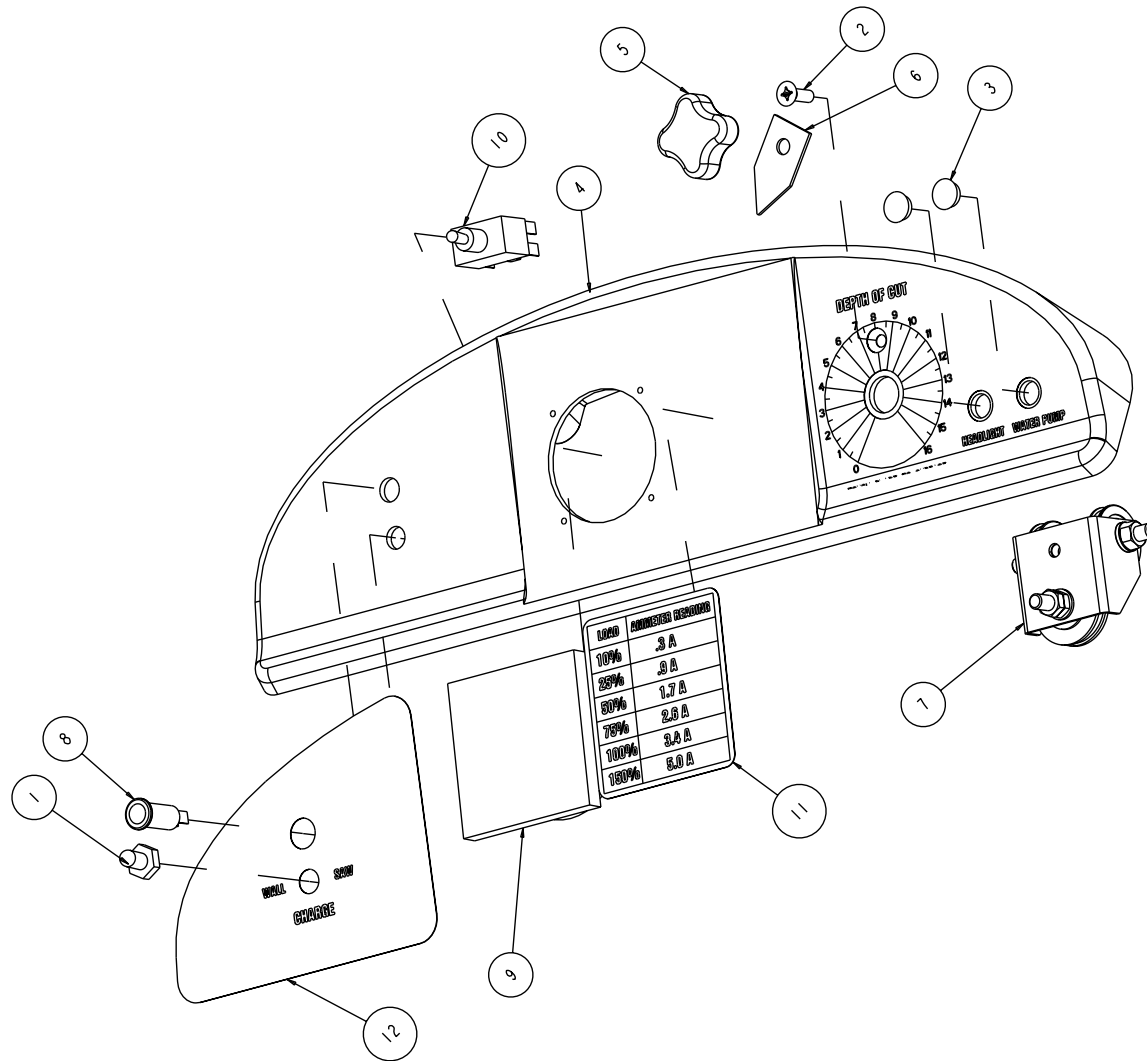
ITEM NO.	DESCRIPTION	PART #	QTY.
1	WASHER, 3/8 SAE FLAT	150923	2
2	NUT, 10-24 HEX	151749	2
3	WASHER, 1/4 SAE FLAT	151915	2
4	ELBOW, STREET, 3/8 NPT X 90, BRASS	152074	1
5	SCREW, HEX HD TAP, 1/4-20 X 1	152676	2
6	NUT, HEX TW, 1/4-20	153941	3
7	WASHER, #10 SAE FLAT	154369	1
8	SCREW , SOC HD CAP, 1/4- 20 X 1	154683	1
9	NUT, HEX 10-32	156269	2
10	SCREW, 10-32 X 1 HEX HEAD CAP	156270	1
11	SCREW, PAN HD PHIL MS 10-24X3/4	156641	1
12	WASHER, LOCK, IT, #10	158336	2
13	NUT, HEX, NYLK, 1/4-28	163936	1
14	CAP, PUSH-ON, VINYL, 1 X 1/4	167216	1
15	VALVE, 3/8 ANGLE NEEDLE	167234	1
16	HANDLE, UP/DOWN CONTROL	167235	1
17	PLATE, UP/DOWN ADJ	167236	1
18	ARM, DEPTH CONTROL ADJ	167237	1
19	WASHER, 5/16 FLANGED PLASTIC	167238	2
20	FITTING, 3/8 MNPT X 1/4 BARB, BRASS	167239	1
21	FITTING, 3/8 NPT X 3/8 JIC	167240	1
22	SPRING, EXTENSION .30OD X 3/4L X .037WIRE	167241	1
23	INSULATOR, EYELET TERMINAL, RED	170718	1

FIGURE 13 - PARTS LIST: ASSY, WATER VALVE P/N 164161



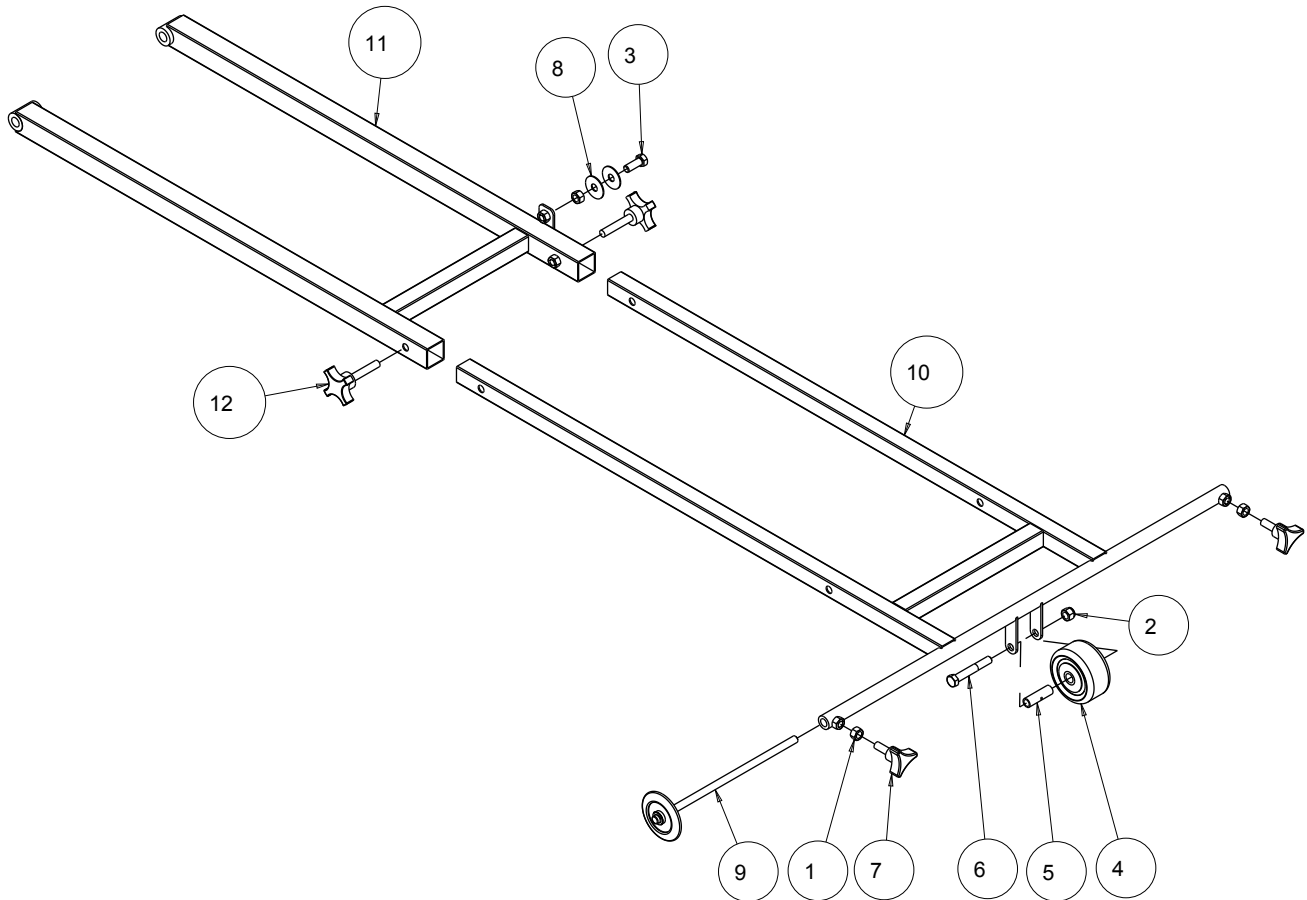
ITEM NO.	DESCRIPTION	PART #	QTY.
1	ELBOW, 1/2 MNPT 90 STREET, GALV	150848	1
2	FITTING, 1/2 MNPT X 3/8 BARB	153653	2
3	VALVE, BALL 1/2"	153796	1
4	SCREW, PAN HD PHIL 10-24 X 5/16	159494	2
5	BRACKET, WATER VALVE	162650	1

FIGURE 14 - PARTS LIST: ASSY, INSTRUMENT PANEL P/N 168703



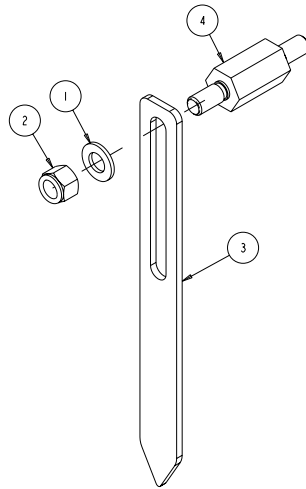
ITEM NO.	DESCRIPTION	PART #	QTY.
1	COVER, SWITCH	154301	1
2	SCREW, 1/4-20 X 3/4 FLAT HEAD PHILLIPS MACHINE	154657	1
3	PLUG, 1/2 FLUSH HEAD BUTTON	156779	2
4	PANEL, INSTRUMENT (COMP)	160909-B	1
5	KNOB, DEPTH INDICATOR (COMP)	162629	1
6	POINTER, DEPTH INDICATOR	162630	1
7	ASSY, DEPTH INDICATOR	162881	1
8	LIGHT, PANEL, 1/2" DIA. AMBER	167225	1
9	AMMETER, 0-5A	167486	1
10	SWITH, TOGGLE 125V 20A	168624	1
11	LABEL, AMMETER, 4000B	168744	1
12	LABEL, INST. LEFT, 4000B	168745	1

FIGURE 15 - PARTS LIST: ASSY, POINTER, FRONT P/N 160931



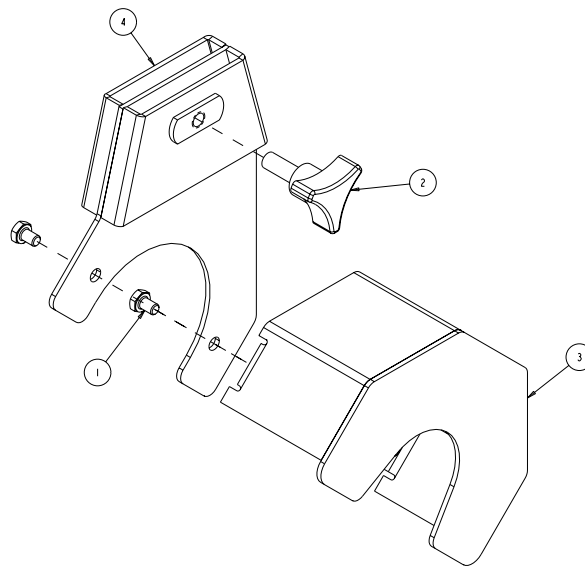
ITEM NO.	DESCRIPTION	PART #	QTY.
1	NUT, 3/8-16 HEX	101188	2
2	NUT, 3/8-16 NYLOK HEX	152505	1
3	WHEEL, POINTER, 3"	155066	1
4	BUSHING, 3/8 ID X 1-5/8L	155153	1
5	SCREW, 3/8-16 X 2-1/2 HEX HEAD CAP	156030	1
6	KNOB, 3 PRONG 3/8-16 X 1	156175	2
7	POINTER ARM, FRONT	160938	1
8	ASSY, POINTER WHEEL	165238	1

**FIGURE 16 - PARTS LIST: ASSY, REAR POINTER P/N 163824**



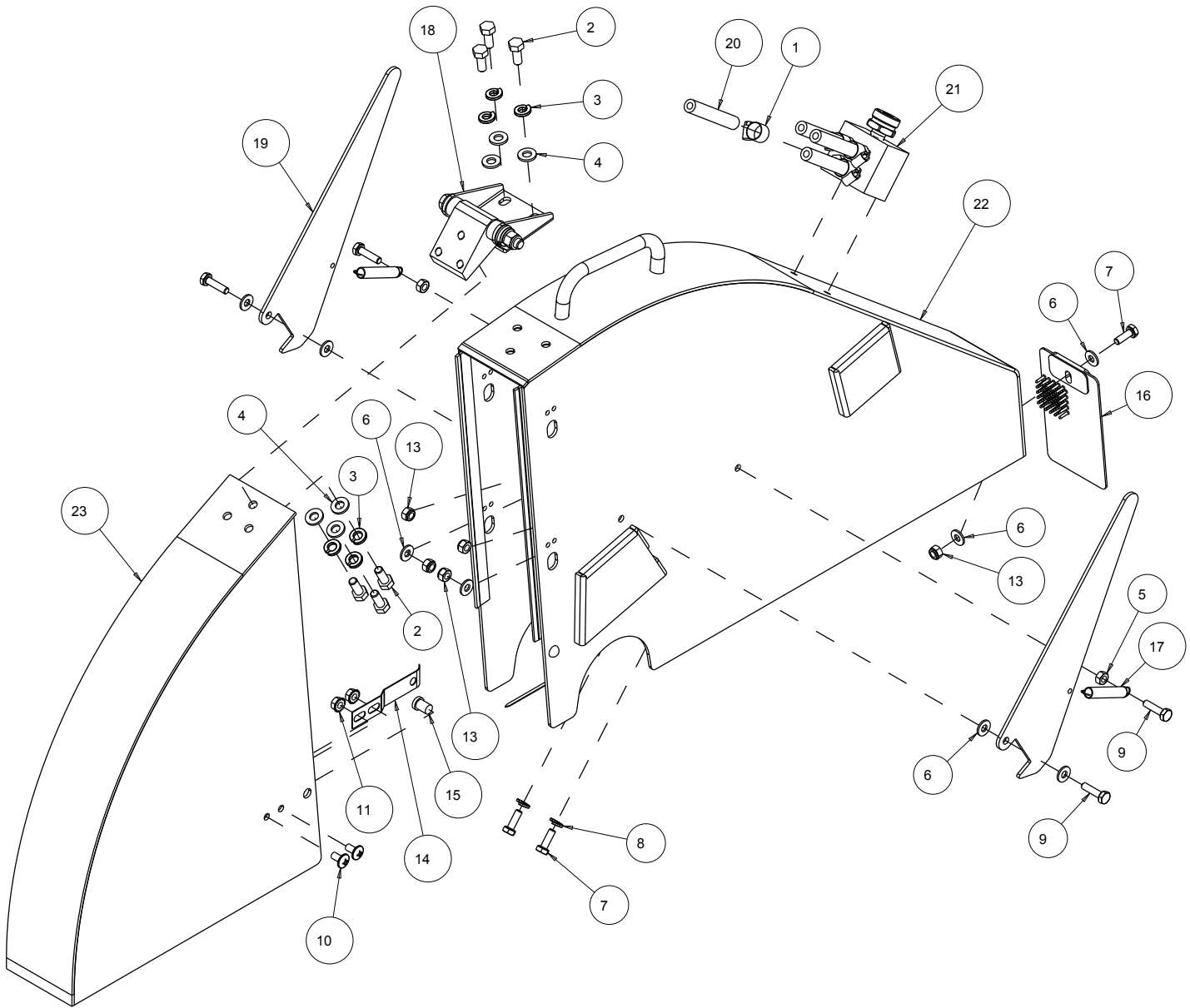
ITEM NO.	DESCRIPTION	PART #	QTY.
1	WASHER, 1/2 SAE FLAT	150924	1
2	NUT, 1/2 - 13 NYLOK HEX	155162	1
3	ARM, REAR POINTER	160951	1
4	STANDOFF, REAR POINTER	163825	1

**FIGURE 17 - PARTS LIST: ASSY, SHAFT GUARD P/N 166056**



ITEM	DESCRIPTION	PART #	QTY.
1	SCREW, HEX HD 1/4 - 20 X 3/8	153526	2
2	KNOB, 3 PRONG 3/8 - 16 X 1	156175	1
3	GUARD, SHAFT	161109	1
4	BACK PLATE, SHAFT GUARD	166057	1

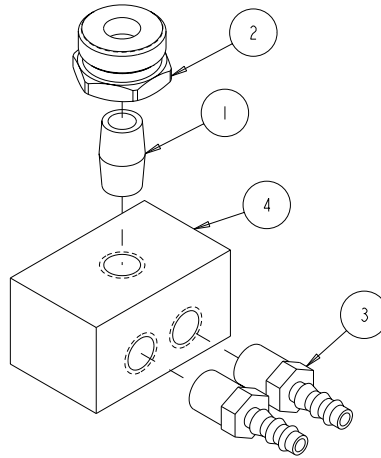
FIGURE 20 - PARTS LIST: ASSY, 30" BLADE GUARD P/N 168279-30-WH



**FIGURE 20 - PARTS LIST: ASSY, 30" BLADE GUARD P/N 168279-30-WH**

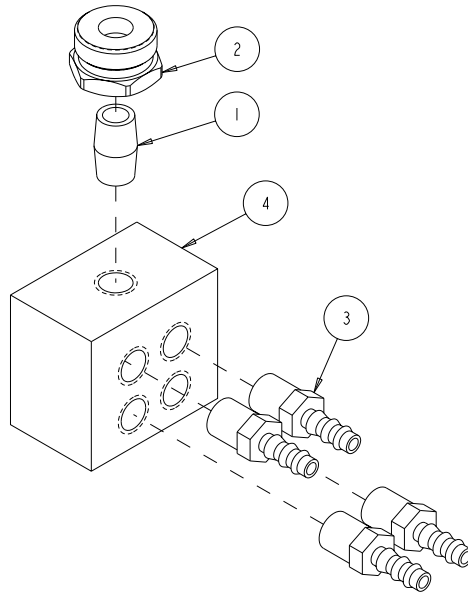
ITEM NO.	DESCRIPTION	PART #	QTY.
1	CLAMP, 5/8 HOSE	151198	2
2	SCREW, 5/16-18 X 3/4 HEX HEAD MACHINE	151369	6
3	WASHER, LOCK, SPLIT, 5/16	151747	6
4	WASHER, 5/16 SAE FLAT	151754	6
5	NUT, 1/4-20 HEX	151893	2
6	WASHER, 1/4 SAE FLAT	151915	8
7	SCREW, 1/4-20 X 3/4 HEX HEAD MACHINE	152370	3
8	WASHER, 1/4 SPLIT LOCK	152591	2
9	SCREW, HEX HD CAP, 1/4-20 X 1	152676	4
10	SCREW, 1/4-20 X 1/2 TRUSS HEAD	153880	2
11	NUT, HEX W/WSHR, 1/4-20	153941	2
12	TIE, NYLON CABLE, 1/8 X 4, BLACK	158528	4
13	NUT, 1/4-20 NYLOK	159857	5
14	LOCK, BLADE GUARD	159998	1
15	BUTTON, RELEASE	159999	1
16	GUARD, SPLASH	160310	1
17	SPRING, EXTENSION	160875	2
18	ASSY, HINGE	163979	1
19	LATCH, 30" BLADE GUARD	165874	2
20	HOSE, VINYL, 1/4 X 1/2 (24"L)	167620	4
21	ASSY, WATER MANIFOLD, 4T	167625	1
22	GUARD, 30" FRONT BLADE	168277-30-WH	1
23	GUARD, 30" REAR BLADE	168278-30-WH	1

**FIGURE 22 - PARTS LIST: ASSY, WATER MANIFOLD, 2T P/N 167624**



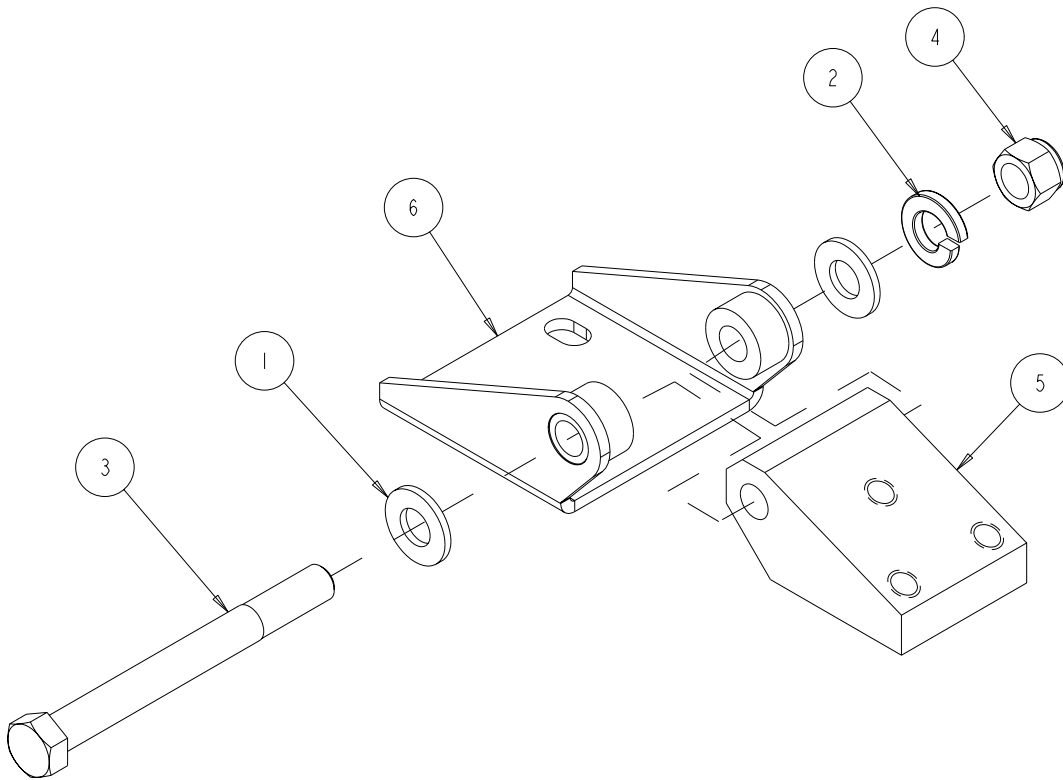
ITEM NO.	DESCRIPTION	PART #	QTY.
1	NIPPLE, 1/4 NPT X CLOSE, BRASS	159905	1
2	FITTING, 3/4 X 11.5 MNH X 1/4 FNPT	163992	1
3	FITTING, PUSH ON HOSE 1/4 X 1/4 MALE	165183	2
4	MANIFOLD, WATER, 2 TUBE	167622	1

**FIGURE 23 - PARTS LIST: ASSY, WATER MANIFOLD, 4T P/N 167625**



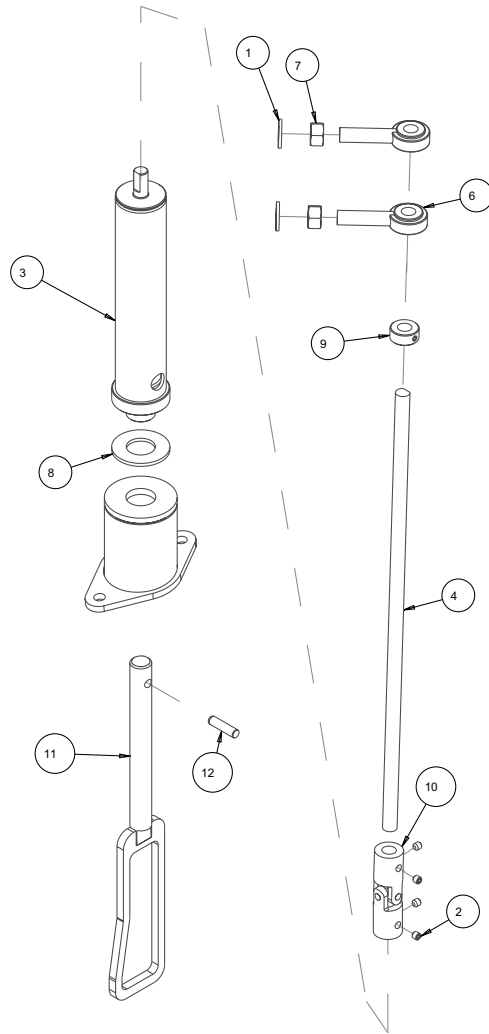
ITEM NO.	DESCRIPTION	PART #	QTY.
1	NIPPLE, 1/4 NPT X CLOSE, BRASS	159905	1
2	FITTING, 3/4 X 11.5 MNH X 1/4 FNPT	163992	1
3	FITTING, PUSH ON HOSE 1/4 X 1/4 MALE	165183	4
4	MANIFOLD, WATER, 4 TUBE	167623	1

FIGURE 35 - PARTS LIST: ASSY, HINGE P/N 163979



ITEM NO.	DESCRIPTION	PART #	QTY.
1	WASHER, 3/8 SAE FLAT	150923	2
2	WASHER, 3/8 SAE LOCK	150925	1
3	SCREW, 38 - 16 X 3-3/4 HEX HD CAP	152504	1
4	NUT, 3/8 - 16 X 3 NYLOK HEX	152505	1
5	PLATE, FRONT HINGE	163977	1
6	PLATE, REAR HINGE	163978	1

FIGURE 16 - PARTS LIST: MK-4000KB ASSEMBLY DEPTH STOP P/N 165710



ITEM	DESCRIPTION	PART #	QTY.
1	WASHER, 1/2 SAE FLAT	150924	2
2	SCREW, SET, CUP PT 5/16 - 18 X 1/4	152607	4
3	TUBE, DEPTH STOP	161138	1
4	ARM, DEPTH STOP LINKAGE	161156	1
5	CUP, DEPTH STOP	162582	1
6	ROD END, 1/2" BALL JOINT	162583	2
7	NUT, 1/2 - 20 HEX	162586	2
8	BEARING, 1 X 2 X 1/8 BRONZE THRUST	162623	1
9	COLLAR, SHAFT, 1/2	162633	1
10	U-JOINT, 1.0 OD X 0.5 ID (COMP)	163988	1
11	SCREW, DEPTH STOP	165708	1
12	PIN, 5/16 X 1-1/4 GROOVE	171037	1