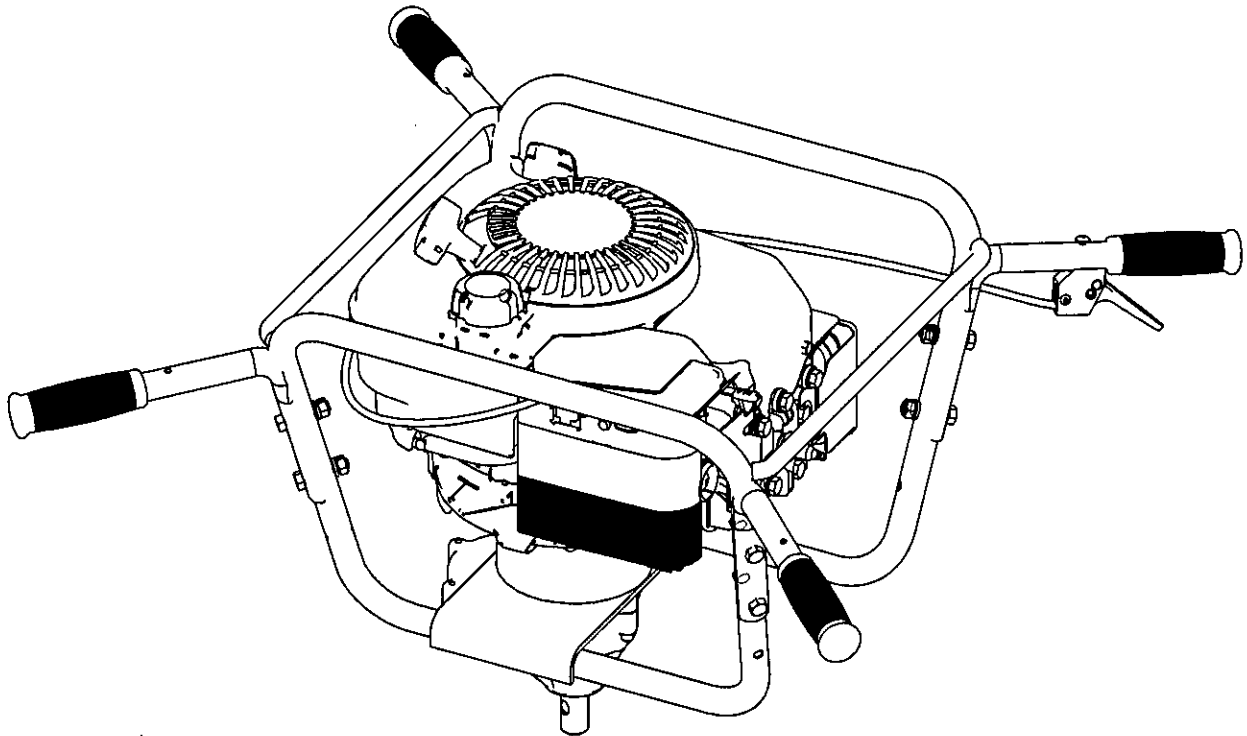




Operator's Manual
Original Operating Instructions

Two-Man Earth Auger Powerhead 9800 Series

SN



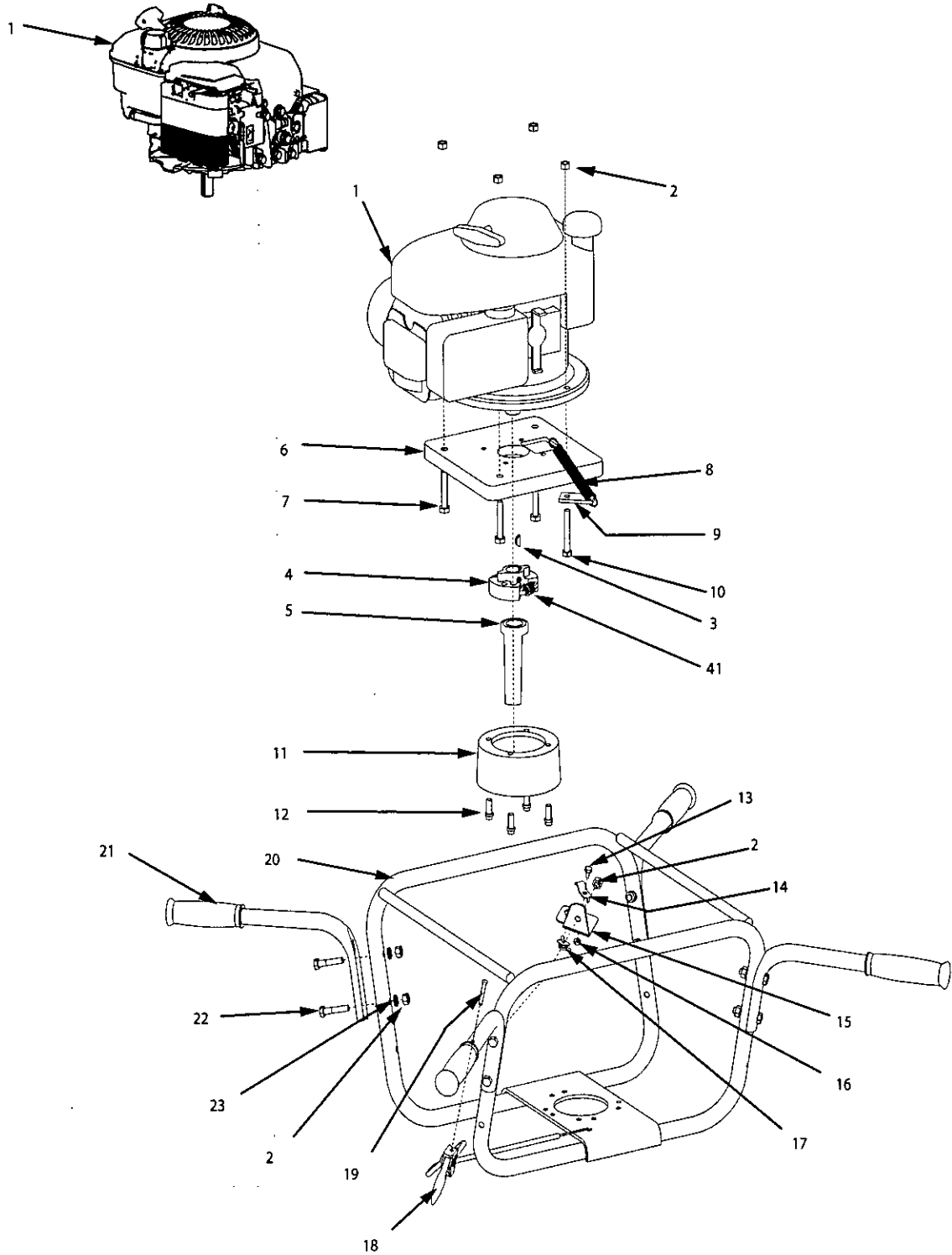
Includes models:
9800B
9800H
9800BCE (European)

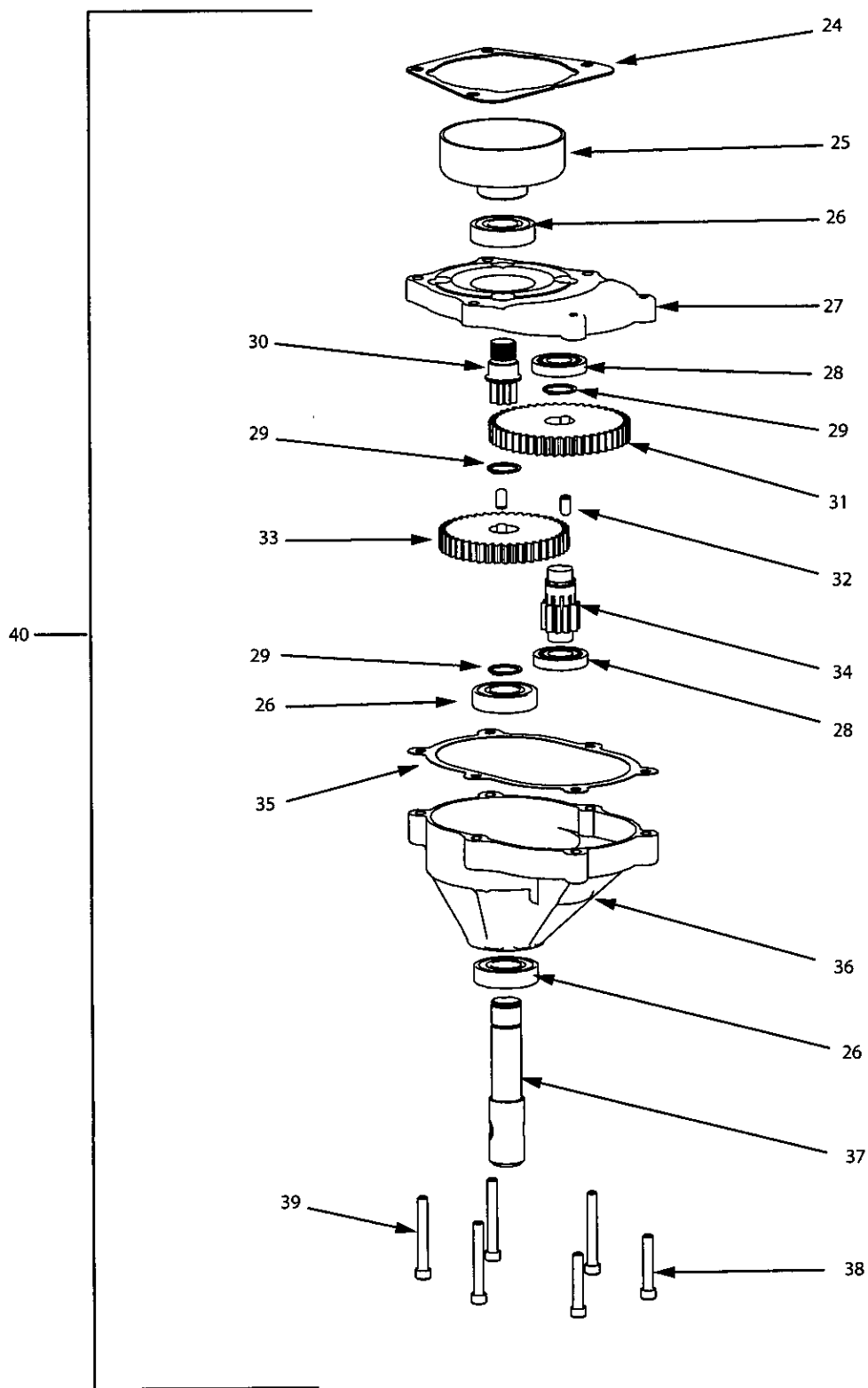


P/N: OM9800B
ECN:10322
REV5: 03/01/14
© 2014 Ardisam, Inc.
All Rights Reserved

ILLUSTRATED PARTS BREAKDOWN

9800B/9800BCE/9800H





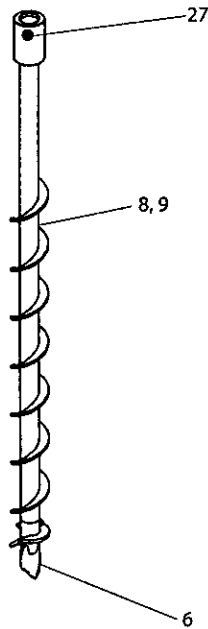
9800B/9800BCE/9800H EARTH AUGER ILLUSTRATED PARTS BREAKDOWN

ITEM NO.	PART NO.	DESCRIPTION	QTY.
1	*	ENGINE, BRIGGS 675 SERIES (9800B)	1
	*	ENGINE, BRIGGS 675 SERIES CE (9800BCE)	1
	*	ENGINE, 160CC HONDA (9800H)	1
2	60G56	NUT, LOCK, (5/16-18 BI-WAY) (9800B, 9800BCE)	8
	60G56	NUT, LOCK, (5/16-18 BI-WAY) (9800H MODEL)	12
3	WK6	KEY, WOODRUFF (#6, 5/32 X 5/8")	1
4	9825	ROTOR CENTRIFUGAL CLUTCH	1
5	9822	BEARING, BALL (R14-2RS) (9800H ONLY)	1
6	9840	PLATE ADAPTER, MOUNTING RING (9800H ONLY)	1
7	1423	BOLT, (5/16-18 X 2" HHCS GR5) (9800H ONLY)	3
8	9832	SPRING, THROTTLE CONTROL (9800H ONLY)	1
9	53664	TAB, THROTTLE (9800H ONLY)	1
10	48300	BOLT, (5/16 X-18 X 2 1/4" HHCS GR5) (9800H ONLY)	1
11	9837A	MOUNT RING COMPLETE 9800 SERIES	1
12	420	BOLT, (5/16-24 X 3/4" PFC5)	4
13	1B5810	BOLT, (5MM X 0.8 X 10MM HH) (9800H ONLY)	1
14	53596A	CLAMP, CABLE (YELLOW ZINC) (9800H ONLY)	1
15	9841	BRACKET, THROTTLE CABLE CLAMP (9800H ONLY)	1
16	1N58	NUT, (5MM X 0.8 X 10MM HH) (9800H ONLY)	1
17	60G70	SWITCH, TOGGLE, (ON-OFF) (9800H ONLY)	1
18	4819	TRIGGER ASSEMBLY, LONG THROW (INCLUDES P/N 4814) (9800H ONLY)	1
	9805A	CABLE (NO TRIGGER) (9800H ONLY)	1
	9801	CABLE THROTTLE W/TRIGGER (9800B/9800BCE ONLY)	1
19	4814	BOLT, (10-24 X 1 1/4" PHILLIPS TRUSS HEAD) (9800H ONLY)	1
20	9819	WELDMENT, FRAME 9800	1
21	9827	HANDLE AND THROTTLE GRIP 9800	4
22	503	BOLT (5/16-18 X 1-1/2 HH)	8
23	504	LOCKWASHER SPRING (5/16")	8
24	3004149	SHIM, (9800 TRANSMISSION TOP)	1
25	9016	CLUTCH DRUM, (3" THREADED) (9800H ONLY)	1
	9018	CLUTCH DRUM, (3" THREADED SHORT) (9800B, 9800BCE ONLY)	1

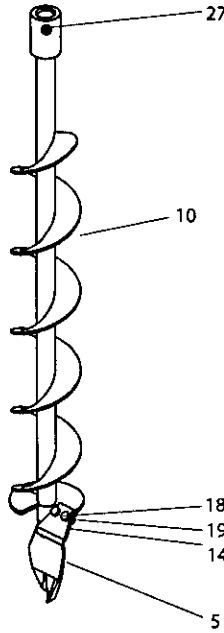
ITEM NO.	PART NO.	DESCRIPTION	QTY.
26	8922	BEARING, BALL (R12 DOUBLE LIP)	3
27	75300	KIT, GEAR CASE, UPPER HALF (INCLUDES BEARINGS 8922, 8923, SHIM 3004149, AND GASKET 8919)	1
28	8923	BEARING, BALL R10	2
29	8924	RING, SNAP EXTERNAL (3/4")	3
30	9814	GEAR, PINION (7 TOOTH THREADED)	1
31	8914	GEAR, (48 TOOTH HARD)	1
32	8915	DOWEL PIN, STEEL (1/4 X 1/2")	2
33	8912	GEAR, (44 TOOTH 3/4 HOLE)	1
34	9214A	GEAR, (10 TOOTH CLUSTER PINION, HT)	1
35	8919	GASKET, POWERHEAD TRANSMISSION	1
36	75600	KIT, GEAR CASE, LOWER HALF, (INCLUDES BEARINGS 8922, 8923, AND POWERHEAD TRANSMISSION GASKET 8919)	1
37	8913	SHAFT, OUTPUT (7/8")	1
38	8929	BOLT, (1/4-20 X 1 1/2" SHCS)	2
39	8935	BOLT, (1/4-20 X 2 1/2" SHCS)	4
40	9800BTRANKIT	KIT, TRANSMISSION ASSEMBLY (9800B/9800BCE ONLY)	1
	98005	KIT, TRANSMISSION ASSEMBLY (9800H ONLY)	1
41	9020A	SPRING, CENTRIFUGAL CLUTCH	2

AUGER PARTS ILLUSTRATED PARTS BREAKDOWN

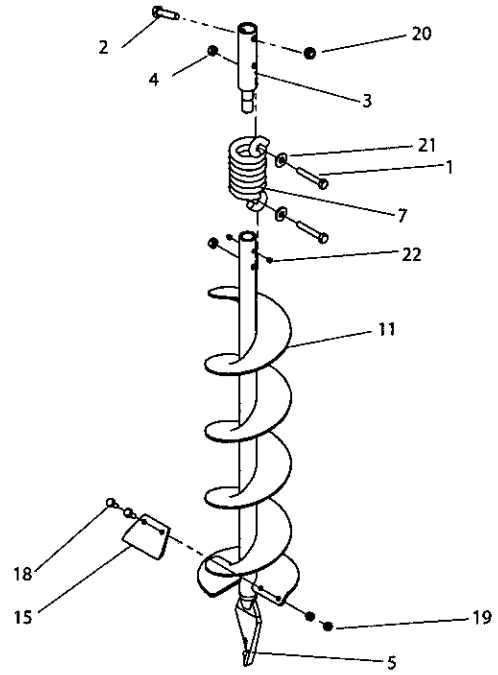
EA2F, EA3F



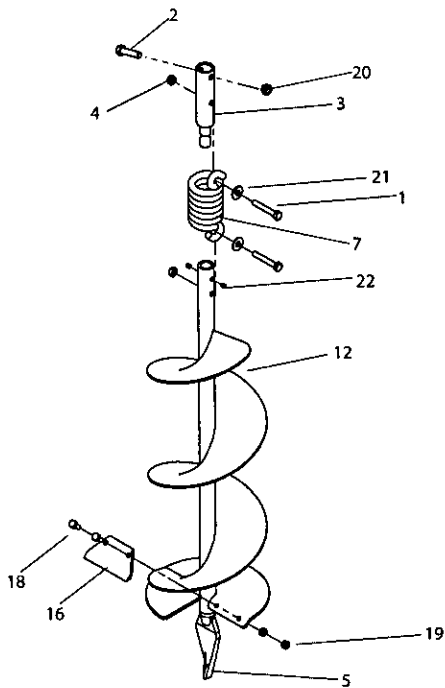
EA4F



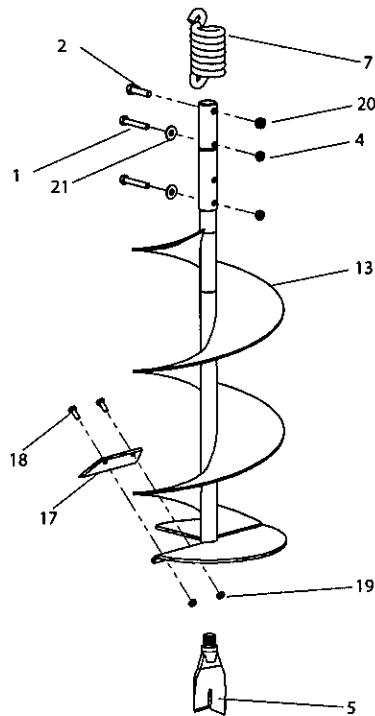
EA6F



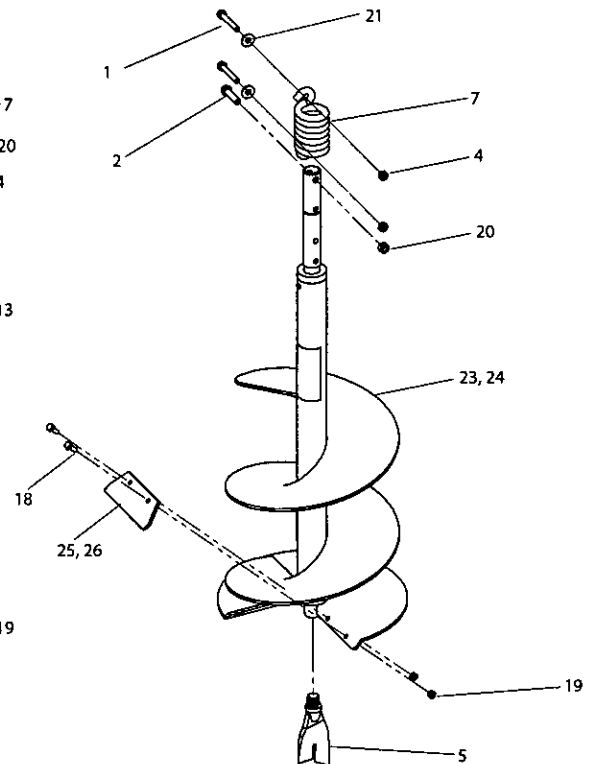
EA8F



EA10F



EA12F, EA14F



AUGER ILLUSTRATED PARTS BREAKDOWN

ITEM NO.	PART NO.	DESCRIPTION	QTY.
1	1423	BOLT-HHCS, 5/16-18 X 2", GRADE 5 (auger shock spring)	2
2	1433	BOLT-HHCS, 3/8-16 X 1-1/2" (auger to powerhead)	2
3	53684	SHOCK TOP 1-PC (used on 6" and 8" earth augers)	1
4	60G56	NUT-HEX 2-WAY REVERSIBLE LOCKNUT, 5/16-18	2
5	8958HD	FISHTAIL POINT (used on 4" or larger earth auger)	1
6	8970	EARTH POINT (used on 2" & 3" earth auger)	1
7	8980	SHOCK SPRING (Used on 6" and larger earth augers)	1
8	EA2F	EARTH AUGER, 2" W/FISHTAIL POINT	1
9	EA3F	EARTH AUGER, 3" W/FISHTAIL POINT	1
10	EA4F	EARTH AUGER, 4" W/FISHTAIL POINT	1
11	EA6F	EARTH AUGER, 6" W/FISHTAIL POINT	1
12	EA8F	EARTH AUGER, 8" W/FISHTAIL POINT	1
13	EA10F	EARTH AUGER, 10" W/FISHTAIL POINT	1
14	EB4	EARTH BLADE, 4" (includes EBOLT & ENUT)	1
15	EB6	EARTH BLADE, 6" (includes EBOLT & ENUT)	1
16	EB8	EARTH BLADE, 8" (includes EBOLT & ENUT)	1
17	EB10	EARTH BLADE, 10" (includes EBOLT & ENUT)	1
18	EBOLT	BOLT-HEX, 1/4-28 X 5/8", GRADE 5 (earth blade to auger)	2
19	ENUT	NUT-NYLOC, 1/4-28	2
20	2104	NUT HEX LOCKING, 3/8-16	2
21	WF516	WASHER-FLAT, 5/16"	2
22	715	SET SCREW 1/4-20 X 1/4 SPC BK OXIDED	2
23	EA12F	EARTH AUGER, 12" W/FISHTAIL POINT	1
24	EA14F	EARTH AUGER, 14" W/FISHTAIL POINT	1
25	EB12	EARTH BLADE, 12" (includes EBOLT & ENUT)	1
26	EB14	EARTH BLADE, 14" (includes EBOLT & ENUT)	1
27	8955	BOLT 3/8-16 X 1-1/4 SHCS	1
ITEMS NOT SHOWN			
--	EXT12	DEPTH EXTENSION, 12"	1
--	EXT18	DEPTH EXTENSION, 18"	1
--	EB6HD	HEAVY DUTY EARTH BLADE, 6" (includes EBOLT & ENUT)	1
--	EB8HD	HEAVY DUTY EARTH BLADE, 8" (includes EBOLT & ENUT)	1
--	EB10HD	HEAVY DUTY EARTH BLADE, 10" (includes EBOLT & ENUT)	1
--	9811	SWITCH, ON/OFF (Not Shown)	1