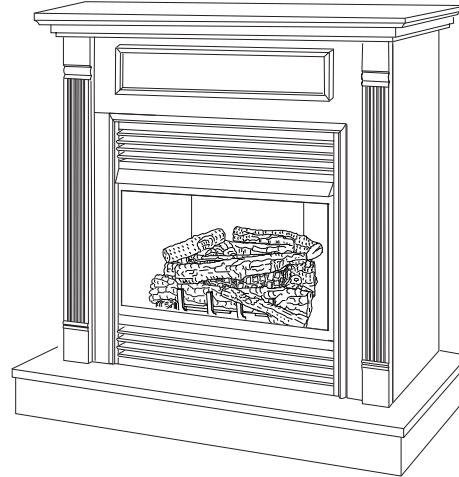




**UNVENTED (VENT-FREE) GAS FIREPLACE  
OWNER'S OPERATION AND INSTALLATION MANUAL**



Shown with optional cabinet mantel with hearth base and trim accessories.

**SVFS32NRK, SVFS32PRK, SVFS36NRK, SVFS36PRK,  
REMOTE-READY FIREPLACE SYSTEM**

*NOTE:* this product ships in two boxes. Box 1 includes the fireplace. Box 2 includes the logs.

**⚠ WARNING:** If the information in this manual is not followed exactly, a fire or explosion may result causing property damage, personal injury, or loss of life.

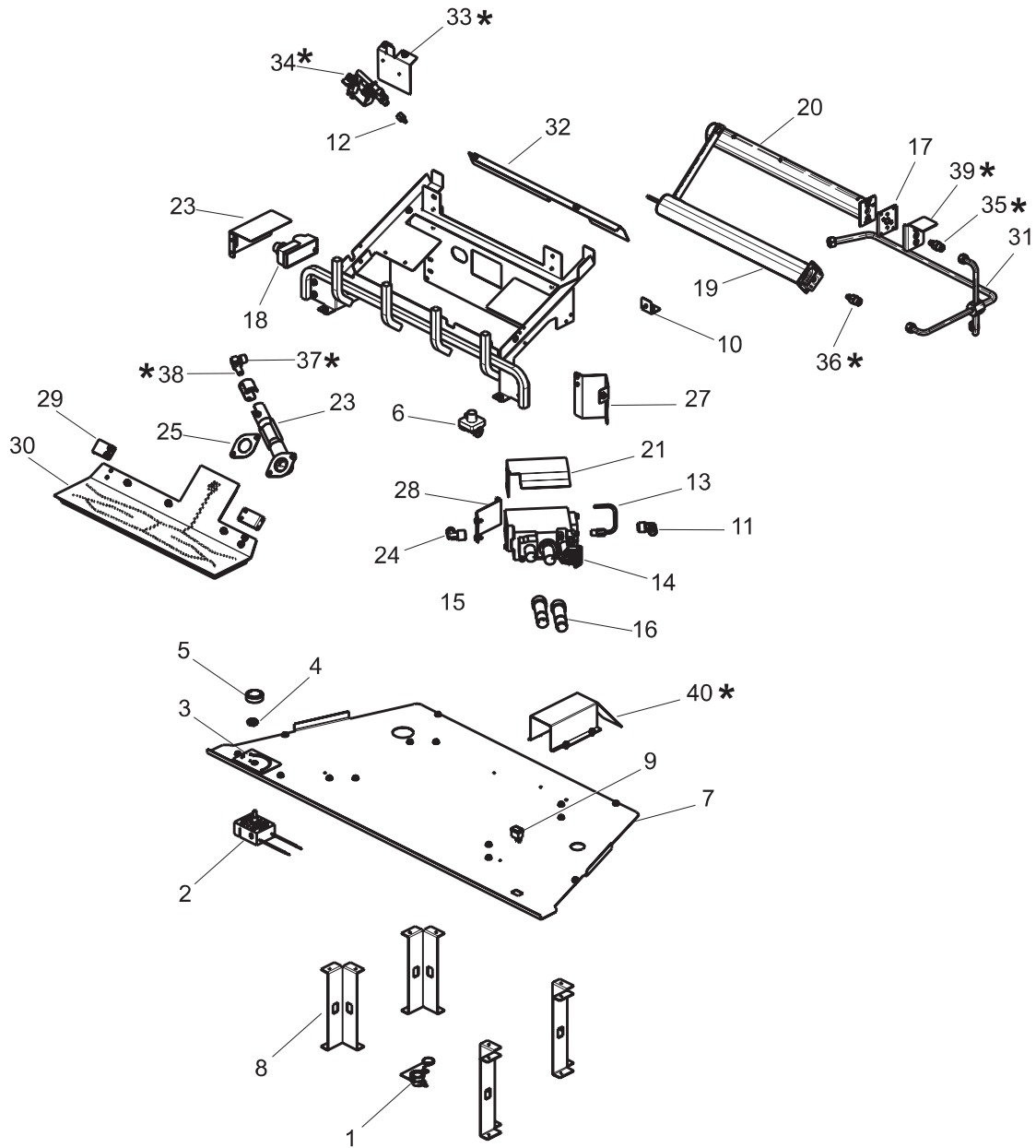
- Do not store or use gasoline or other flammable vapors and liquids in the vicinity of this or any other appliance.
- **WHAT TO DO IF YOU SMELL GAS**
  - Do not try to light any appliance.
  - Do not touch any electrical switch; do not use any phone in your building.
  - Immediately call your gas supplier from a neighbor's phone. Follow the gas supplier's instructions.
  - If you cannot reach your gas supplier, call the fire department.
- Installation and service must be performed by a qualified installer, service agency, or the gas supplier.

**INSTALLER:** Leave this manual with the appliance.  
**CONSUMER:** Retain this manual for future reference.

For more information, visit [www.lennoxhearthproducts.com](http://www.lennoxhearthproducts.com)

# PARTS

## LOG BASE ASSEMBLY MODELS SVFS32NRK, SVFS32PRK, SVFS36NRK AND SVFS36PRK



\* See page 32 for part numbers

## PARTS

This list contains replaceable parts used in your fireplace. When ordering parts, follow the instructions listed under *Replacement Parts* on page 29 of this manual.

KEY NO.	PART NO.	DESCRIPTION					QTY.
			SVFS32NRK	SVFS32PRK	SVFS36NRK	SVFS36PRK	
1	126085-01	Thermodisc, Magnetic Bracket	•	•	•	•	1
2	103647-01	Control, Solid State	•	•	•	•	1
3	101449-01	Decal, Control Position	•	•	•	•	1
4	106351-01	Nut, Lock	•	•	•	•	1
5	103650-01	Knob Control	•	•	•	•	1
6	099918-12	Regulator, Pilot	•	•	•	•	1
7	126195-01	Floor 32" Fireplace System	•	•	•	•	1
	126195-02	Floor 36" Fireplace System	•	•	•	•	1
8	126196-01	Leg, Floor Support	•	•	•	•	3
	126196-01	Leg, Floor Support	•	•	•	•	4
9	14607	Switch, Rocker ON/OFF	•	•	•	•	1
10	126200-01	Bracket, Chassis Mounting	•	•	•	•	1
11	098265-02	Elbow, Male	•	•	•	•	1
12	100609-01	Tube, Pilot	•	•	•	•	1
13	099387-09	Tube, Pilot	•	•	•	•	1
	099387-12	Tube, Pilot	•	•	•	•	1
14	103781-05	Valve, Gas NG (0.820.643)	•	•	•	•	1
	103781-06	Valve, Gas LP (0.820.642)	•	•	•	•	1
15	103784-01	Knob, Short Extension (Pilot)	•	•	•	•	1
16	103784-02	Knob, Short Extension (HI-LO)	•	•	•	•	1
17	107634-01SA	Plate, NG Conversion	•	•	•	•	1
18	111435-04	Ignitor, Electronic	•	•	•	•	1
19	112465-01	Burner, 18" Ramp Front	•	•	•	•	1
	112465-02	Burner, 24/30" Ramp Front	•	•	•	•	1
20	112466-01	Burner, 18" Ramp Rear	•	•	•	•	1
	112466-02	Burner, 24/30" Ramp Rear	•	•	•	•	1
21	126368-01	Shield, Remote Valve Heat	•	•	•	•	1
	112715-01SA	Shield, Remote Knob Heat	•	•	•	•	1
22	112829-02	Shutter, Air	•	•	•	•	1
23	119321-01	Tube, Venturi	•	•	•	•	1
24	119416-01	Elbow, Male 1/2 X 3/8 Flare	•	•	•	•	1
25	119795-01	Gasket, Burner	•	•	•	•	1
26	126367-01	Bracket, Ignitor	•	•	•	•	1
27	125300-01	Bracket, Remote Valve Support	•	•	•	•	1
28	125300-02	Bracket, Remote Valve Support	•	•	•	•	1
29	125301-01	Bracket, Pan Burner Support	•	•	•	•	2
30	125306-02	Pan Burner Assembly BGE18	•	•	•	•	1
	125306-01	Pan Burner Assembly BGE24/36	•	•	•	•	1
31	125468-01	Tube, Burner Inlet	•	•	•	•	1
	125468-02	Tube, Burner Inlet	•	•	•	•	1
32	125489-01	Shield, Air 18" BGE	•	•	•	•	1
	125489-02	Shield, Air 24/30/36" BGE	•	•	•	•	1

## PARTS

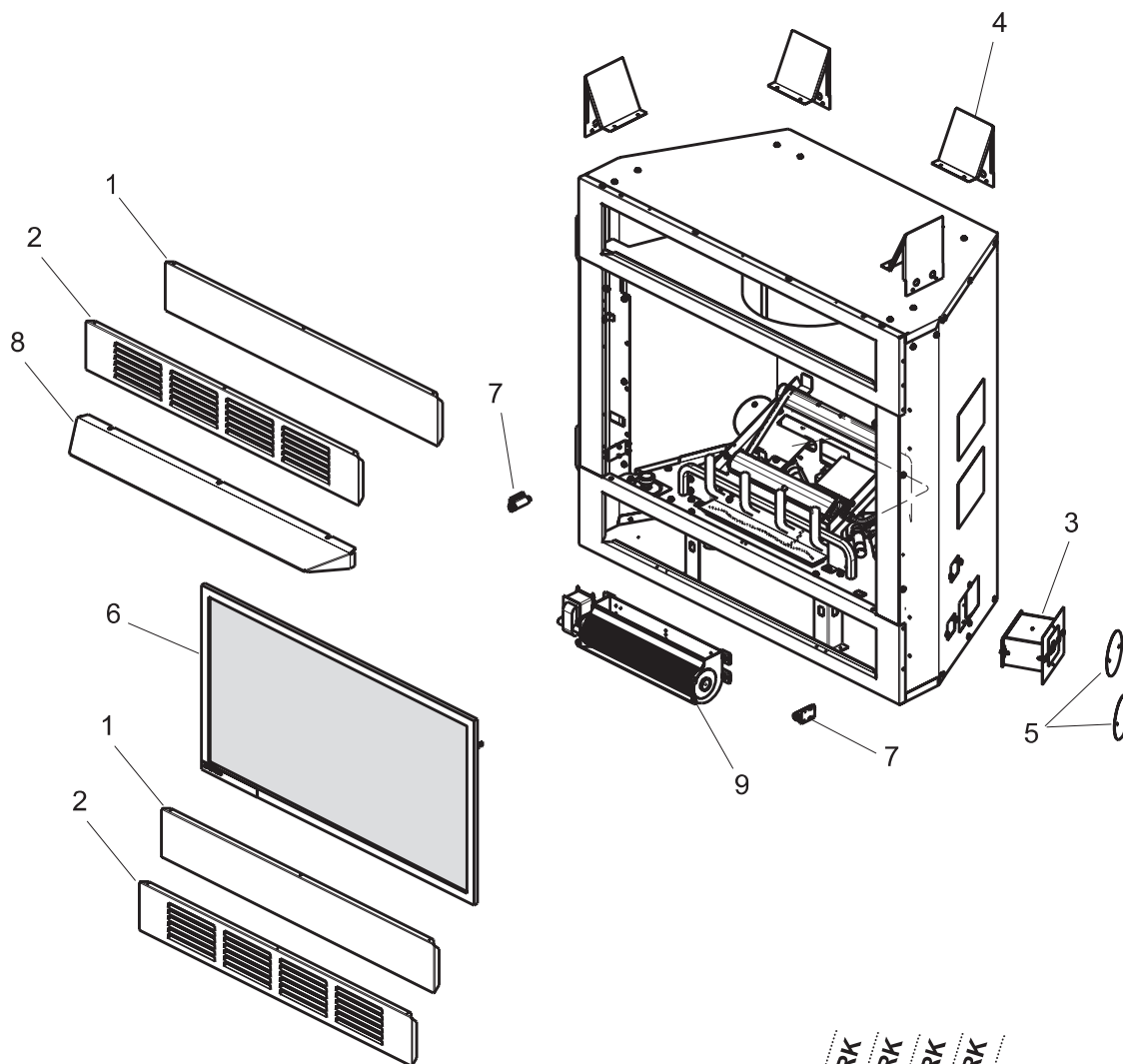
This list contains replaceable parts used in your fireplace. When ordering parts, follow the instructions listed under *Replacement Parts* on page 29 of this manual.

KEY NO.	PART NO.	DESCRIPTION	SVFS32NRK	SVFS32PRK	SVFS36NRK	SVFS36PRK	QTY.
33	125550-01	Bracket, Pilot	•				1
	112713-06	Bracket, Pilot		•		•	1
	112713-01SA	Bracket, Pilot			•		1
34	125339-01	Pilot, ODS Copreci LP		•		•	1
	103779-01	Pilot, ODS NG.	•		•		1
35	101004-06	Orifice, .0530 (1,35MM) Top	•				1
	101004-26	Orifice, .0380 (0,965MM) Top		•			1
	101004-28	Orifice, .063 (1,60MM) Top			•		1
	101004-24	Orifice, .042 (1,07MM) Top				•	1
36	101004-14	Orifice, .072 (1,82MM) Middle	•				1
	101004-09	Orifice, .040 (1,02MM) Middle		•			1
	101004-11	Orifice, .067 (1,70MM) Middle			•		1
	101004-10	Orifice, .0453 (1,15MM) Middle				•	1
37	111819-10	Orifice, Elbow P53 95 110 Pan	•			•	1
	099056-45	Orifice, 0.028 (0,711MM) Pan		•			1
	111819-11	Orifice, Elbow P53 95 300 Pan			•		1
38	124933-01	Orifice, Holder 90 Degree Elbow		•			1
39	121005-01RV	Bracket, Air shield				•	1
40	126382-01	Duct, Air			•	•	1
<b>PARTS AVAILABLE — NOT SHOWN</b>							
	101398-01	Harness, Wire	•	•	•	•	1
	103646-01	Wire, Harness	•	•	•	•	1
	098219-36	Cord, Power Supply	•	•	•	•	1
	103284-03	Wire, Harness	•	•	•	•	1
	100563-01	Plate, Warning	•	•	•	•	1
	125070-01	Kit, Platinum Embers	•	•	•	•	1
	125071-01	Kit, Rockwool Ember	•	•	•	•	1
	103877-01	Plate, Lighting Instructions	•	•	•	•	1
	101628-03	Connector, Flexible	•	•	•	•	1
	098271-12	Cable, Ignitor	•	•	•	•	1
	100639-01	Decal, Caution	•	•	•	•	1
	125557-01	Chunk, Left Ember			•	•	1
	125557-02	Chunk, Middle Ember			•	•	1
	125557-03	Chunk, Right Ember			•	•	1

## PARTS

### FIREPLACE MODELS SVFS32NRK, SVFS32PRK, SVFS36NRK AND SVFS36PRK

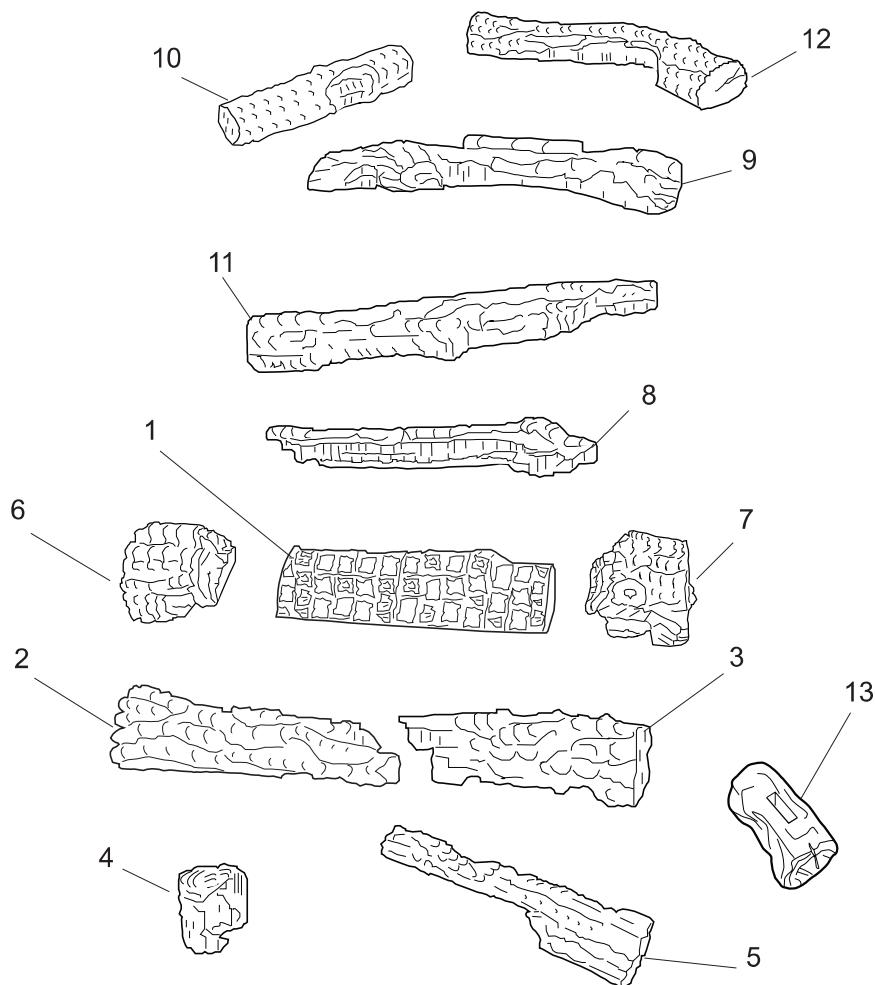
This list contains replaceable parts used in your fireplace. When ordering parts, follow the instructions listed under *Replacement Parts* on page 29 of this manual.



KEY NO.	PART NO.	DESCRIPTION	SVFS32NRK	SVFS32PRK	SVFS36NRK	SVFS36PRK	QTY.
1	108423-01	Panel Closure Smooth	•	•			2
	106651-01	Panel Closure Smooth			•	•	2
2	108423-02	Panel Face Top 32" Stamped	•	•			2
	106684-01	Panel Closure Top Louvered 36"			•	•	2
3	110037-01	Electrical Duct Assembly	•	•	•	•	1
4	20280	Spacer, Top	•	•	•	•	4
5	21171	Cover Gas Conduit Plate	•	•	•	•	5
6	126366-01	ASM 32" Fireplace System Screen	•	•			1
	126366-02	ASM 36" Fireplace System Screen			•	•	1
7	125519-01	Magnet, Door Latch	•	•	•	•	2
8	126375-01	Hood 32" Fireplace System	•	•			1
	126375-02	Hood 36" Fireplace System			•	•	1
9	119943-01	Blower	•	•	•	•	1

## PARTS

This list contains replaceable parts used in your heater. When ordering parts, follow the instructions listed under *Replacement Parts* on page 29 of this manual.



KEY NO.	PART NUMBER		DESCRIPTION	QTY
	SVFS32	SVFS36		
1	125851-01	125852-01	Log, Ramp	1
2	125851-02	125852-02	Log, Left Front	1
3	125851-03	125852-03	Log, Right Front	1
4	125851-04	125852-04	Log, Left Front Ember Bed	1
5	125851-05	125852-05	Log, Right Front Ember Bed	1
6	125851-06	125852-06	Log, Left Middle	1
7	125851-07	125852-07	Log, Right Middle	1
8	125851-08	125852-08	Log, Rear Middle	1
9	125851-09	125852-09	Log, Rear	1
10	125851-10	125851-10	Log, Left Top	1
11	125851-11	125852-11	Log, Middle Crossover	1
12	125851-12	125852-12	Log, Top Rear	1
13	125851-13	125851-13	Log, Switch	1
14	126557-01	126557-02	Complete Log Set	1

## ACCESSORIES

**NOTICE: All accessories may not be available for all fireplace models.**

Purchase these fireplace accessories from your local dealer.

### PERIMETER TRIM ACCESSORY

**SPT32 - Kit 32" Perimeter Trim Black**

**SPT32P - Kit 32" Perimeter Trim Platinum**

**SPT36 - Kit 36" Perimeter Trim Black**

**SPT36P - Kit 36" Perimeter Trim Platinum**

**For all models.** Optional with built-in installation. Provides a finished appearance covering rough and/or unfinished mantel or wall opening, edges, etc.

### BRICK LINER KITS

**SBLQ32SVF - 32" Brick Liner Kit**

**SBLQ36SVF - 36" Brick Liner Kit**

### REMOTE CONTROLS

**RC-S-Touch:**

State-of-the-art control with touch screen operation

**RC-S-MODMV:**

Flame and Heat modulation

**RC-S-1:**

Manual or up to 3 hr Countdown Timer modes

**RC-S-STAT:**

Thermostatic or Manual modes

### WALL CONTROLS

**WS-S-STAT:**

Wall Control

**WS-S-TMR:**

Wall Control